



ARCO ZEUS HIGH OUTPUT ALTERNATOR

Wiring Connection Instructions



Positive Output Terminal

Must be connected via properly sized cable to the battery or batteries being charged. Cable size is determined by alternator output & length of cable run.

Ground Terminal

Must be connected via properly sized cable to the main ground point or batteries being charged.

Note Support ground post with a ½" wrench when tightening or loosening the nut.

ARCO Zeus IE (Internal/External) Alternator

ARCO Zeus IE (Internal/External) alternators are designed and recommended for use with our Zeus high energy Bluetooth alternator regulator, the Zeus IE Alternator utilizes both an Internal regulator and a field wire connection. If battery loads are relatively small and your engine is running frequently, the alternator's internal regulator may be sufficient to support your electrical needs without external regulation. If your vessel utilizes larger battery banks or the engine's duty cycle is less frequent, the Zeus IE Alternator combines and works seamlessly with ARCO Zeus high energy Bluetooth alternator regulator.

Note The waterproof male connector with pins is included in a bag within the alternator box. This can be pinned out to connect your system wiring to the alternator for a waterproof connection.

*If you are not sufficiently experienced with charging system upgrades, we recommend consulting with a certified technician prior to installation.

**ARCO ZEUS
HIGH OUTPUT ALTERNATOR**

Wiring Connection Instructions

HIGH OUTPUT ALTERNATOR

Complete Wiring Guide

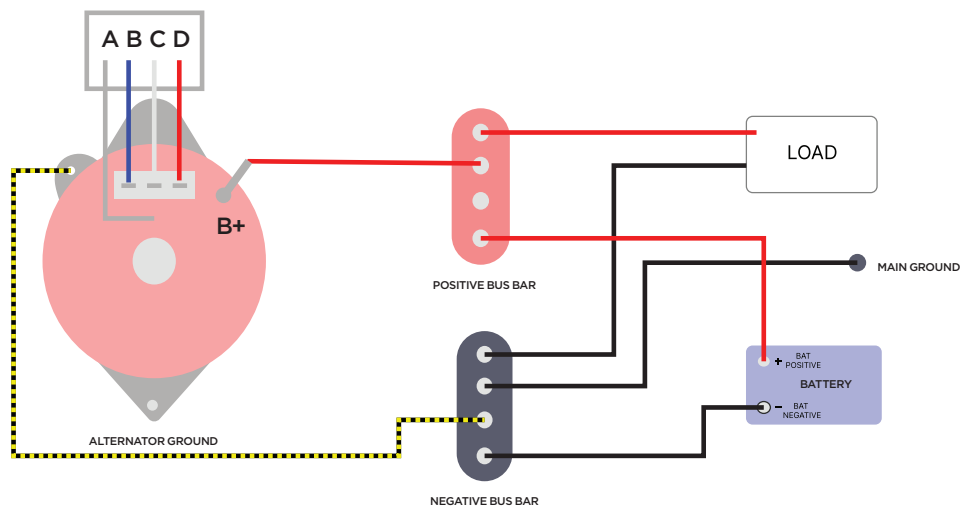
Internal/External (IE)

- A Grey Wire (Stator Output)** Connect to Tach Input.
- B Blue Wire (Field)** Connect to External Regulator field wire.
- C White Wire (Ignition Wire)** Only used when using internal regulator connected to keyed on power source.
- D Red Wire (Sense Wire)** Connect to B+ post or dedicated Battery sense wire.

External Regulator (EX)

- A Grey Wire (Stator Output)** Connect to Tach Input.
- B Blue Wire (Field)** Connect to External Regulator field wire.

INTERNAL / EXTERNAL



EXTERNAL

