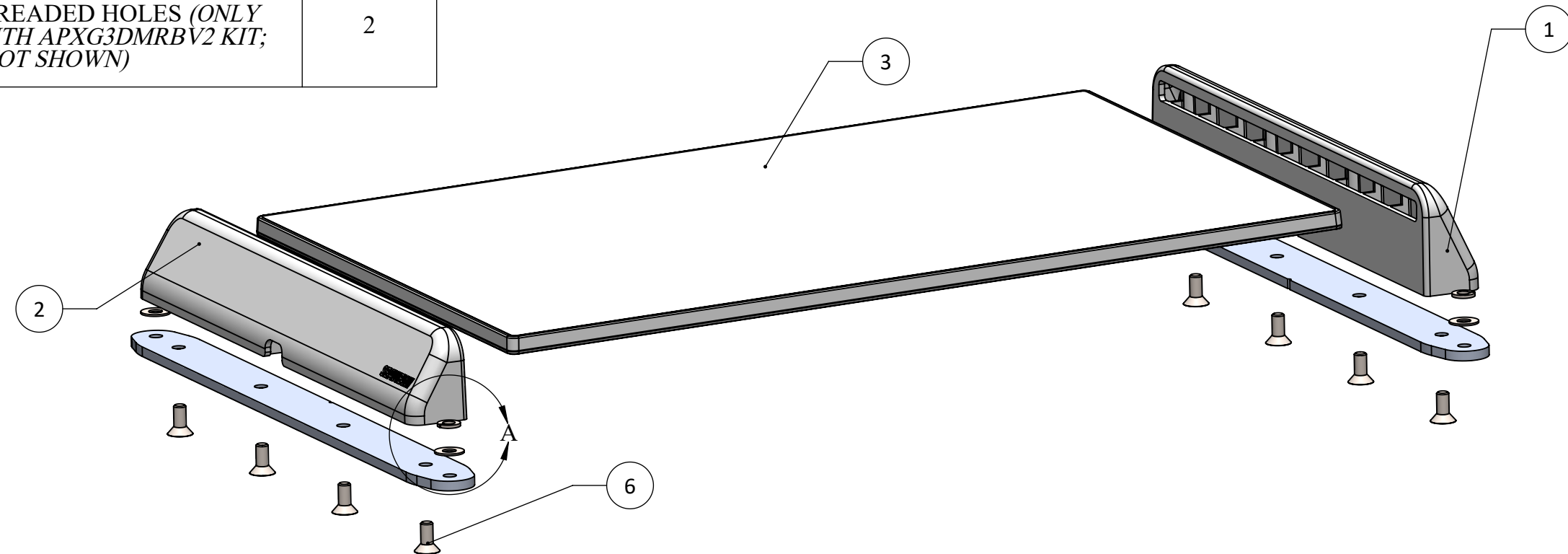
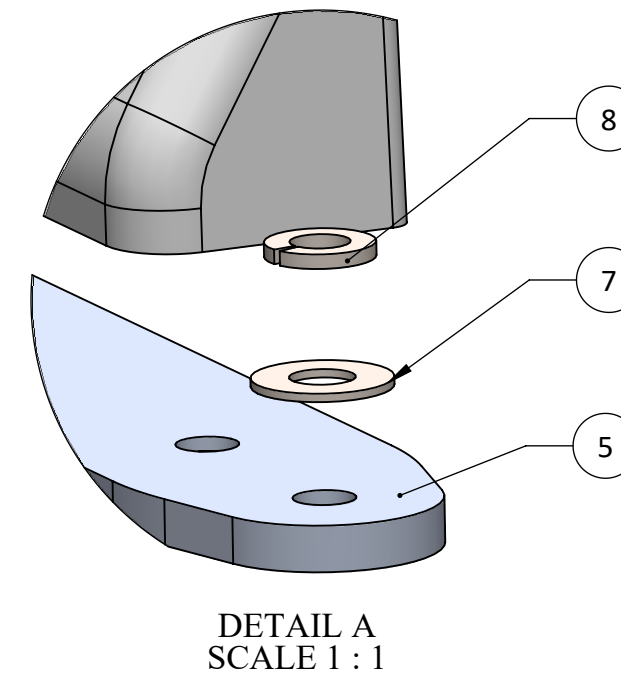




ITEM NO.	PART NUMBER	DESCRIPTION	QTY.
1	SRM100AM	TALL END CAP	1
2	SRM100BM	SHORT END CAP	1
3	--	STARLINK GEN 3 (NOT INCLUDED IN KIT)	1
4	CG2090W	HORIZONTAL ENTRY CABLE SEAL <i>(INCLUDED; NOT SHOWN)</i>	1
5	SRM100DV2	MOUNTING PLATE	2
6	5161834FHCS	5/16"-18 X 0.75" CS SCREW	8
7	516SSW	SS WASHER FOR 5/16" BOLTS	4
8	516LOCKWSH	SPLIT LOCK WASHER FOR 5/16" BOLTS	4
9	51618034HCS	5/16"-18 X 0.75" HEX HEAD SCREW <i>(ONLY INCLUDED WITH APXG3DMRBV2 KIT; NOT SHOWN)</i>	4
10	SRM100FV2	MOUNTING STRAP WITH 5/16"-18 OUTSIDE THREADED HOLES <i>(ONLY INCLUDED WITH APXG3DMRBV2 KIT; NOT SHOWN)</i>	2

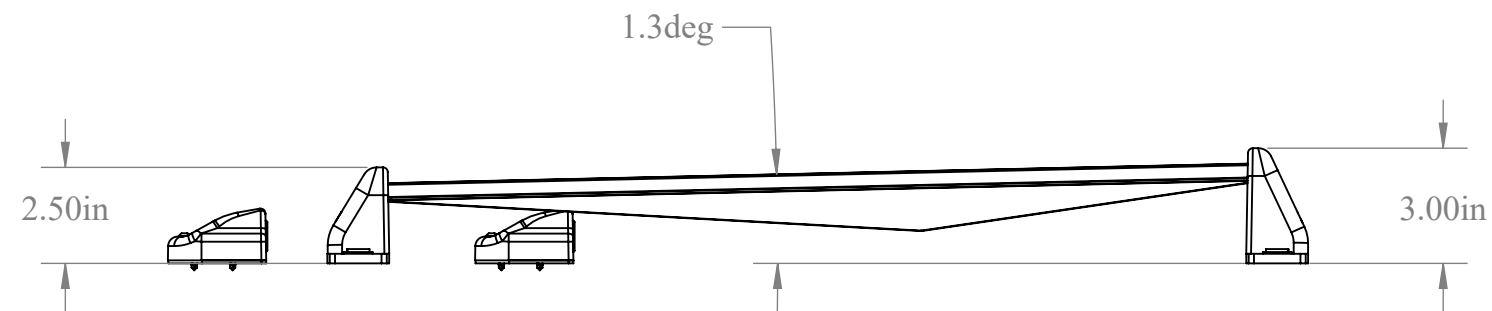
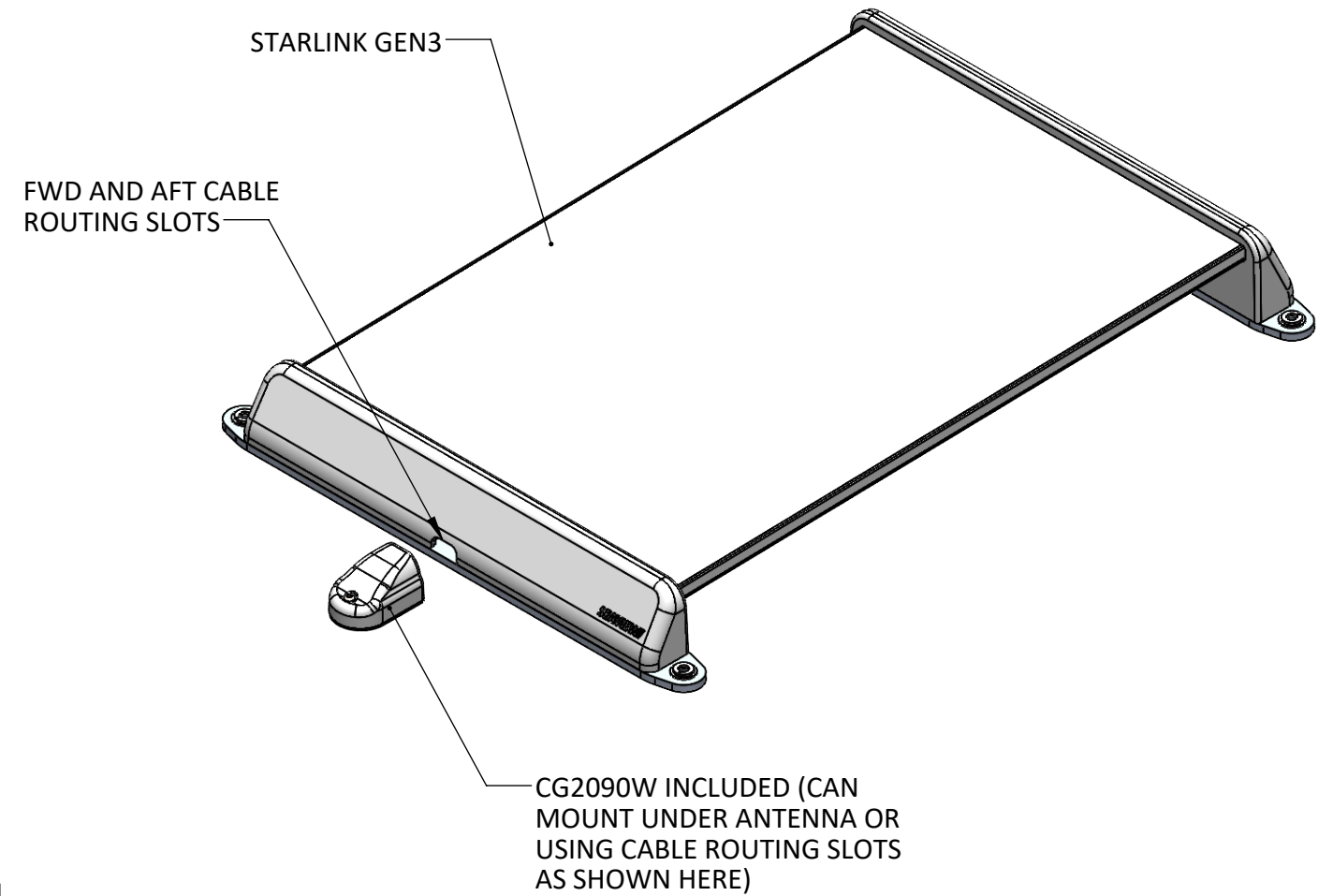
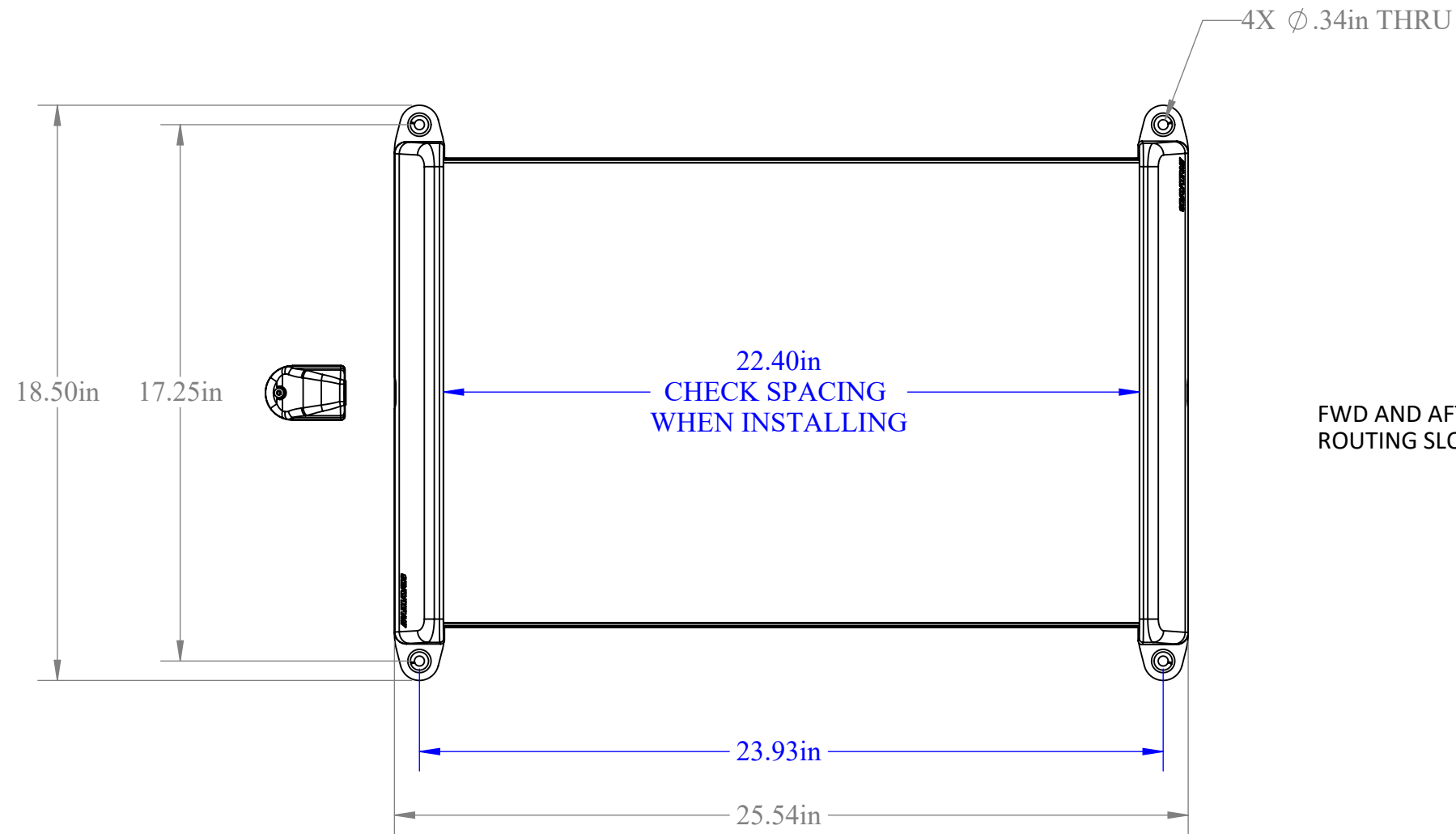


Notes:

1. Please note that some dimensions may not be shown (applies to all pages)
2. Do not scale drawing (applies to all pages)

APXG3DMV2

For help e-mail
info@seaviewglobal.com
 ph. 1-800-655-7922



APXG3DMV2

For help e-mail
info@seaviewglobal.com
ph. 1-800-655-7922

Please skip to step 6 if you are installing the removable kit (APXG3DMRBV2).



APXG3DMRBV2

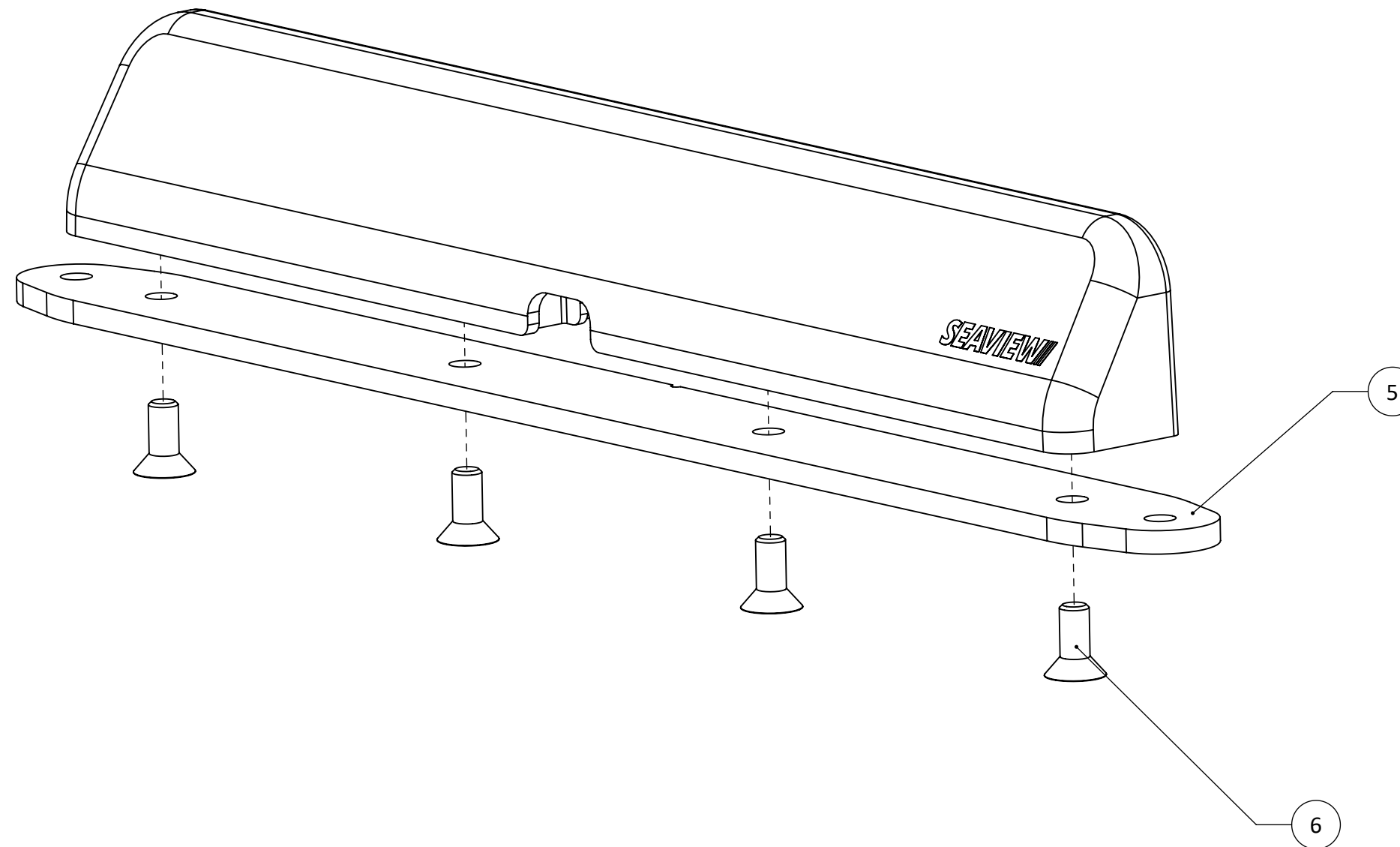
For help e-mail
info@seaviewglobal.com
ph. 1-800-655-7922



***INSTALLATION INSTRUCTIONS
BEGIN ON NEXT PAGE***

For help e-mail
info@seaviewglobal.com
ph. 1-800-655-7922

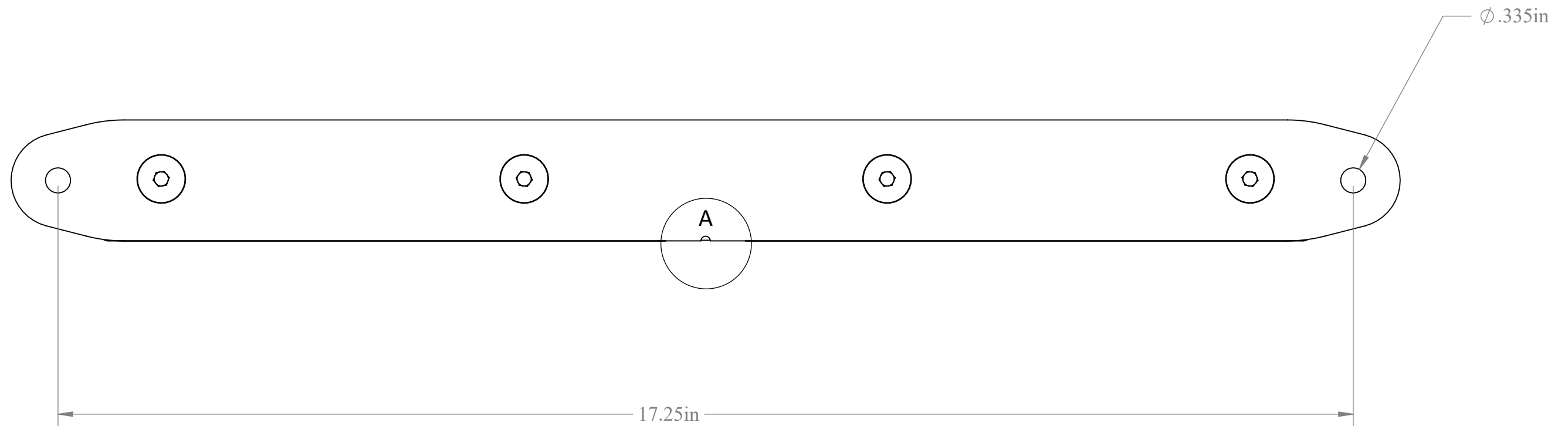
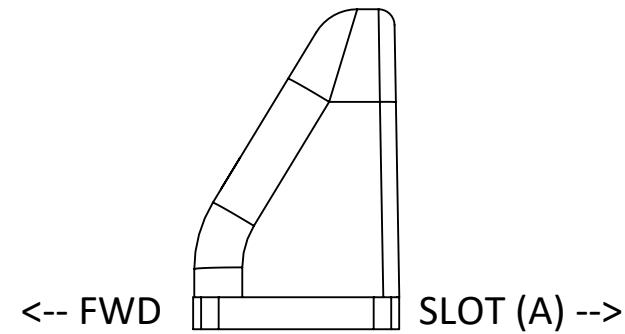
1 Attach one mounting plate (item 5 from BOM on page 1) to each end cap using the provided countersunk screws (item 6).



For help e-mail
info@seaviewglobal.com
ph. 1-800-655-7922

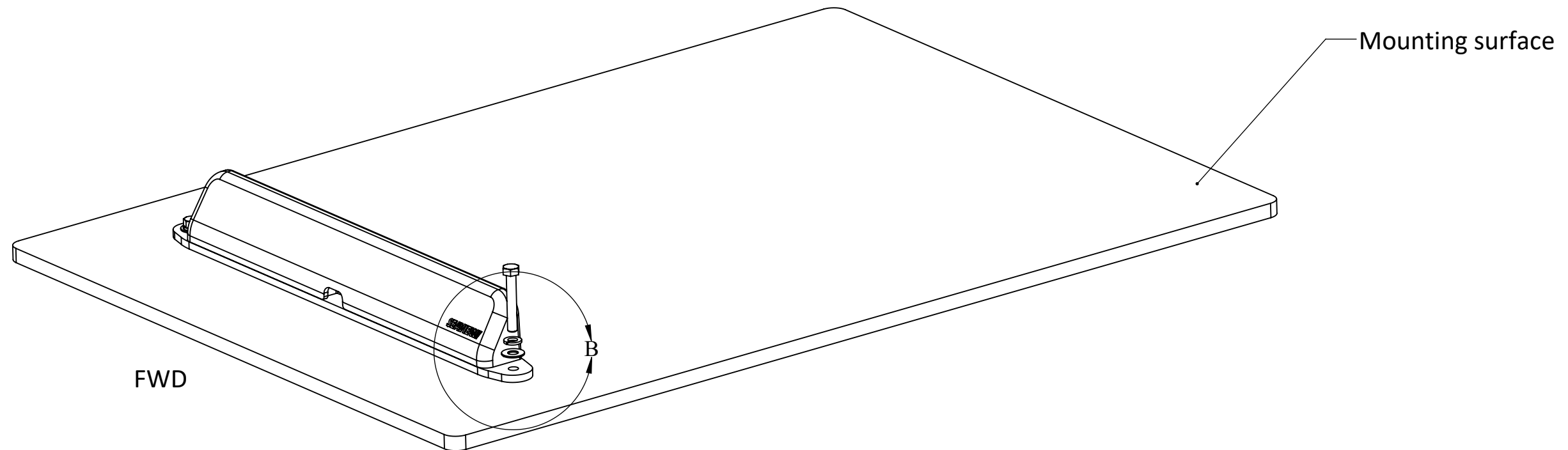
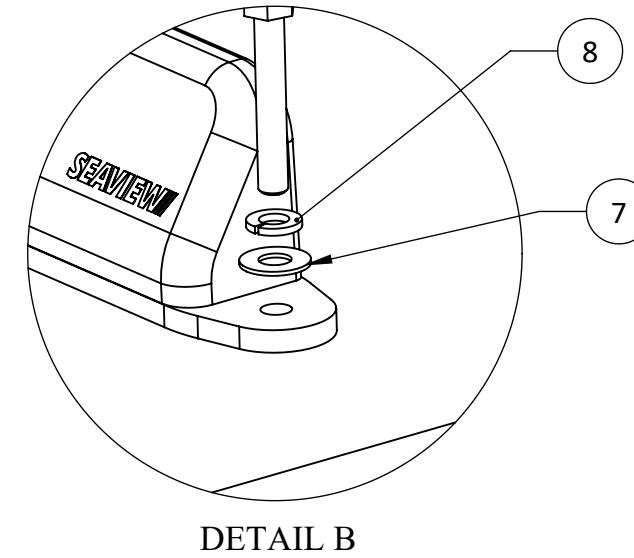
2 Determine desired mounting location. Use dimensions provided on page 2 to help with this process. Use one of the mounting plates, with the short end cap attached from previous step, to mark and drill holes. It is recommended that the angled surface of the short end cap faces forward.

Please also ensure that the small center half circle (A) is on the same side as the flat surface of the short end cap. In other words the slot should face the inside/antenna.



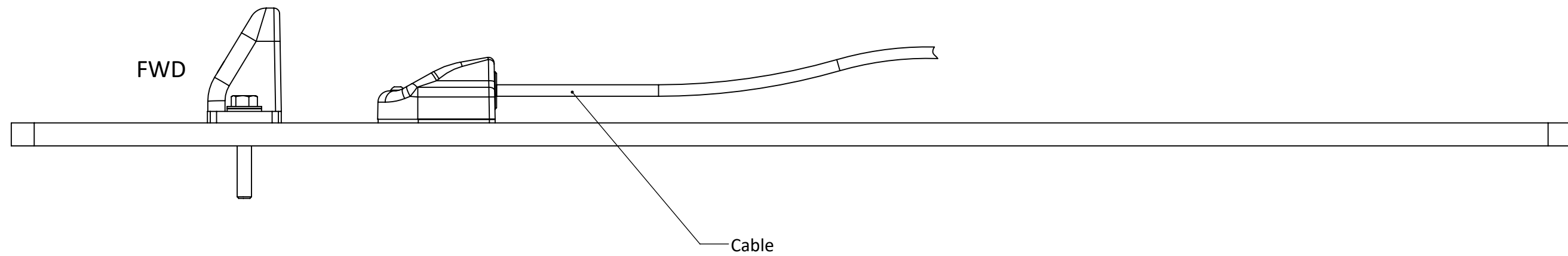
For help e-mail
info@seaviewglobal.com
ph. 1-800-655-7922

3 Using stainless flat and lock washers (item 7 & 8), bolt the short end cap down using nyloc nuts (or similar). Due to varying mounting surface types and thicknesses, ensure the correct mounting bolts and hardware are used.



For help e-mail
info@seaviewglobal.com
ph. 1-800-655-7922

4A If mounting cable seal underneath antenna, mark and drill cable seal holes, then route cable through seal using the following instructions: [click here](#). Please note that the antenna is hidden in the view below.

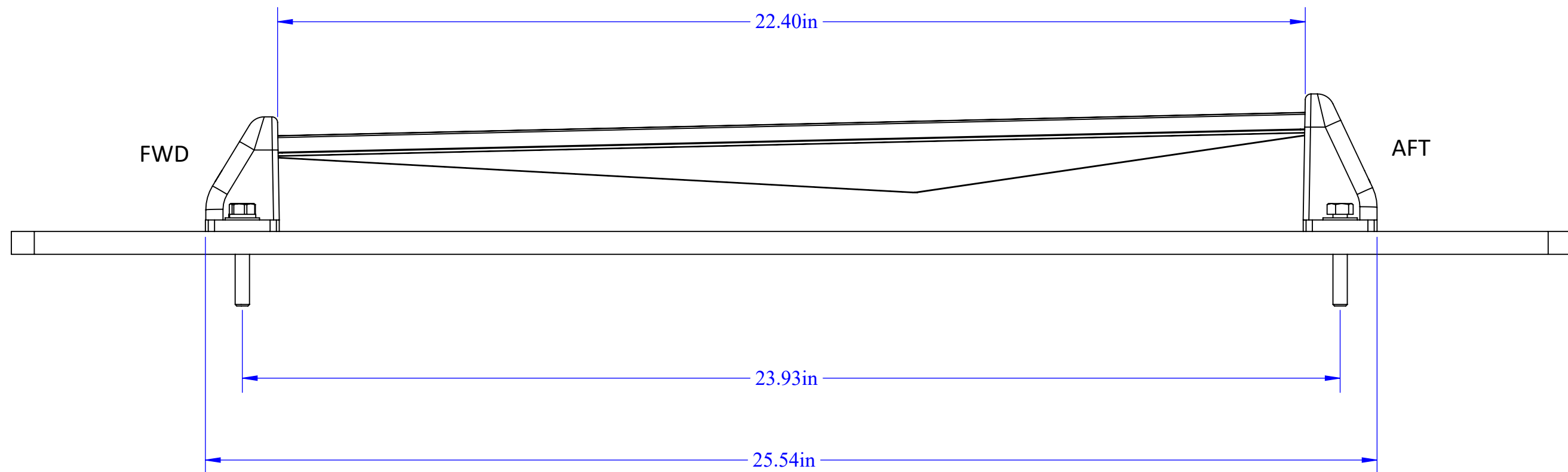


For help e-mail
info@seaviewglobal.com
ph. 1-800-655-7922

4B After cable seal is mounted in the desired location (reference page 2 & 8), slide antenna into forward facing end cap with antenna exit facing forward. Make sure the antenna is pushed in all the way and that the kickstand is removed.

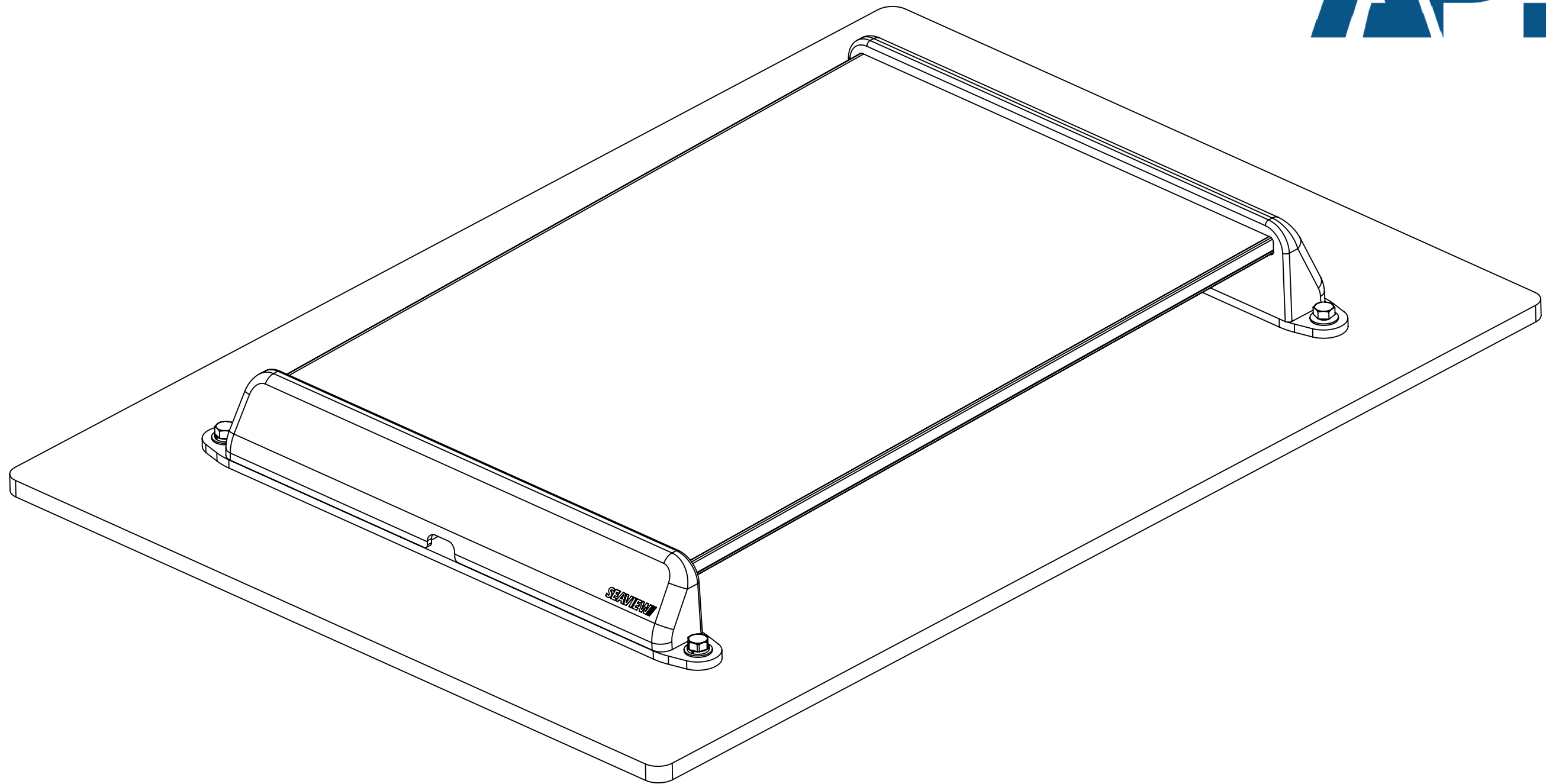


Push aft facing tall end cap as far as it can insert into antenna end, and mark and drill holes. Ensure aft mounting plate is parallel with forward mounting plate. Furthermore, keep in mind the distance that should be maintained between both end caps (reference dimensions in blue). Once one of the blue reference dimensions are confirmed, bolt down the aft end cap using the same hardware from step 3.



For help e-mail
info@seaviewglobal.com
ph. 1-800-655-7922

5

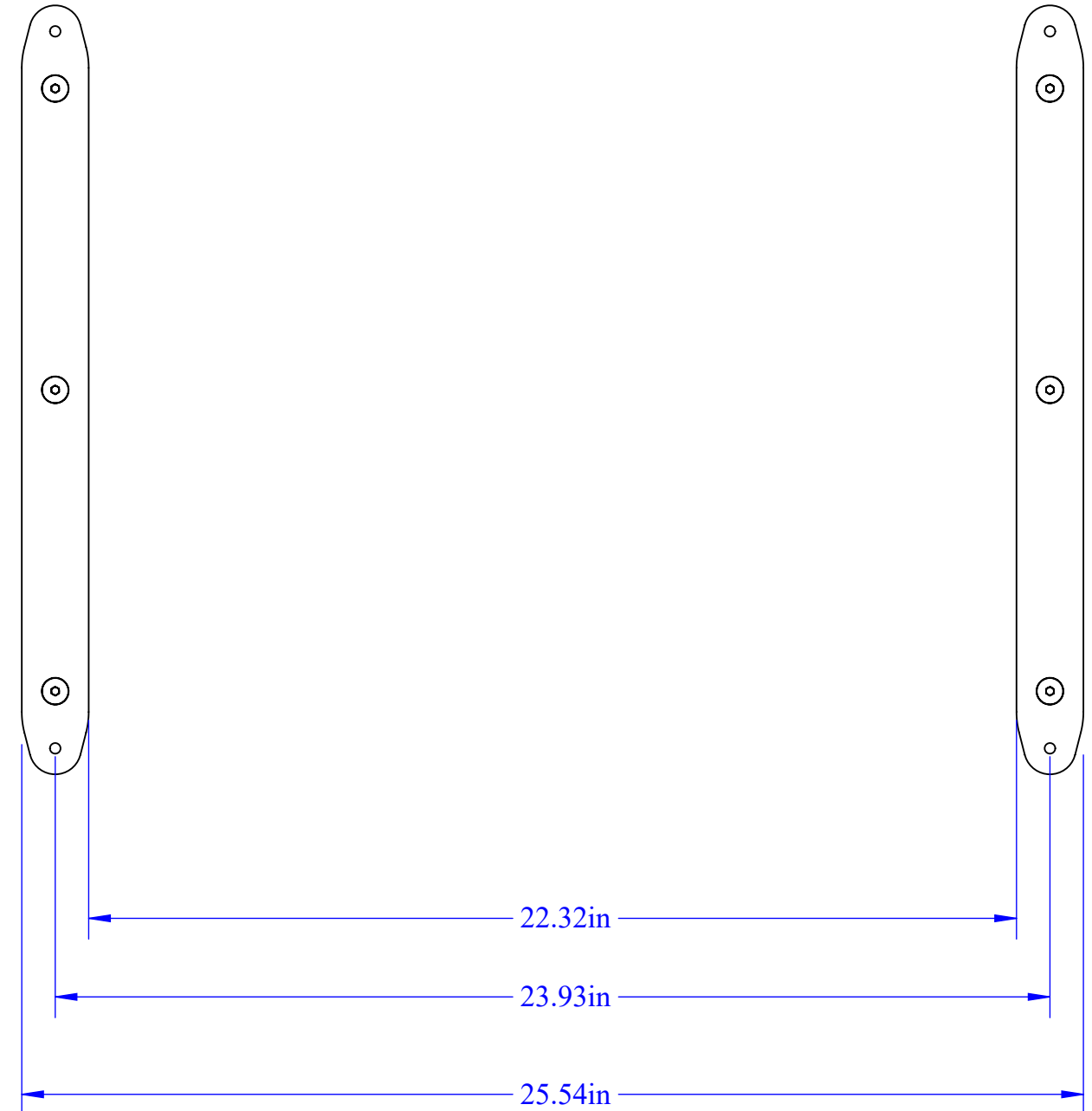
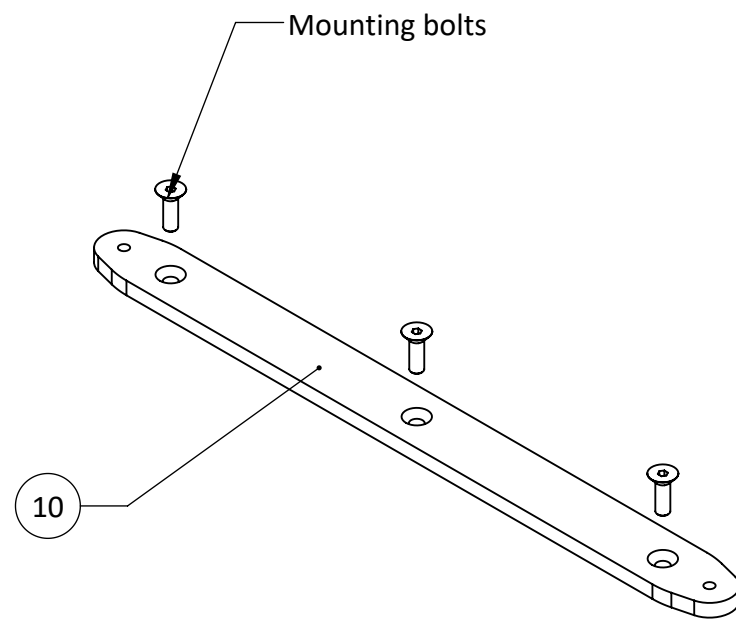
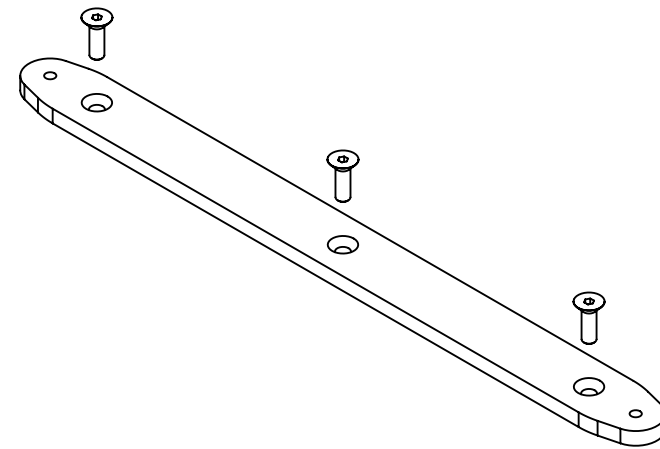


For help e-mail
info@seaviewglobal.com
ph. 1-800-655-7922



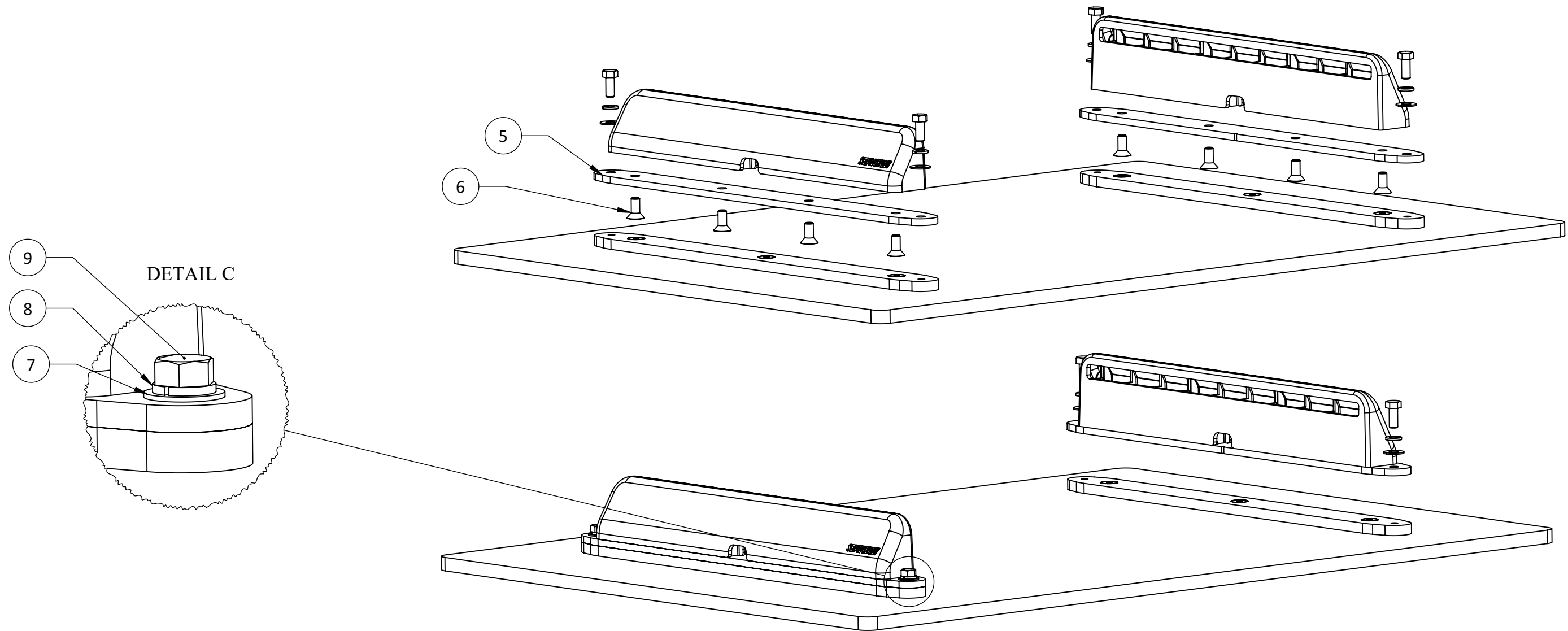
6 Please bolt item **10** to the desired mounting surface using nyloc nuts (or similar). The mounting bolts must be 5/16"-18 thread countersunk bolts (82° head angle). Length will vary depending on mounting surface.

Please keep in mind the distance that should be between both end caps (reference dimensions in **blue**).



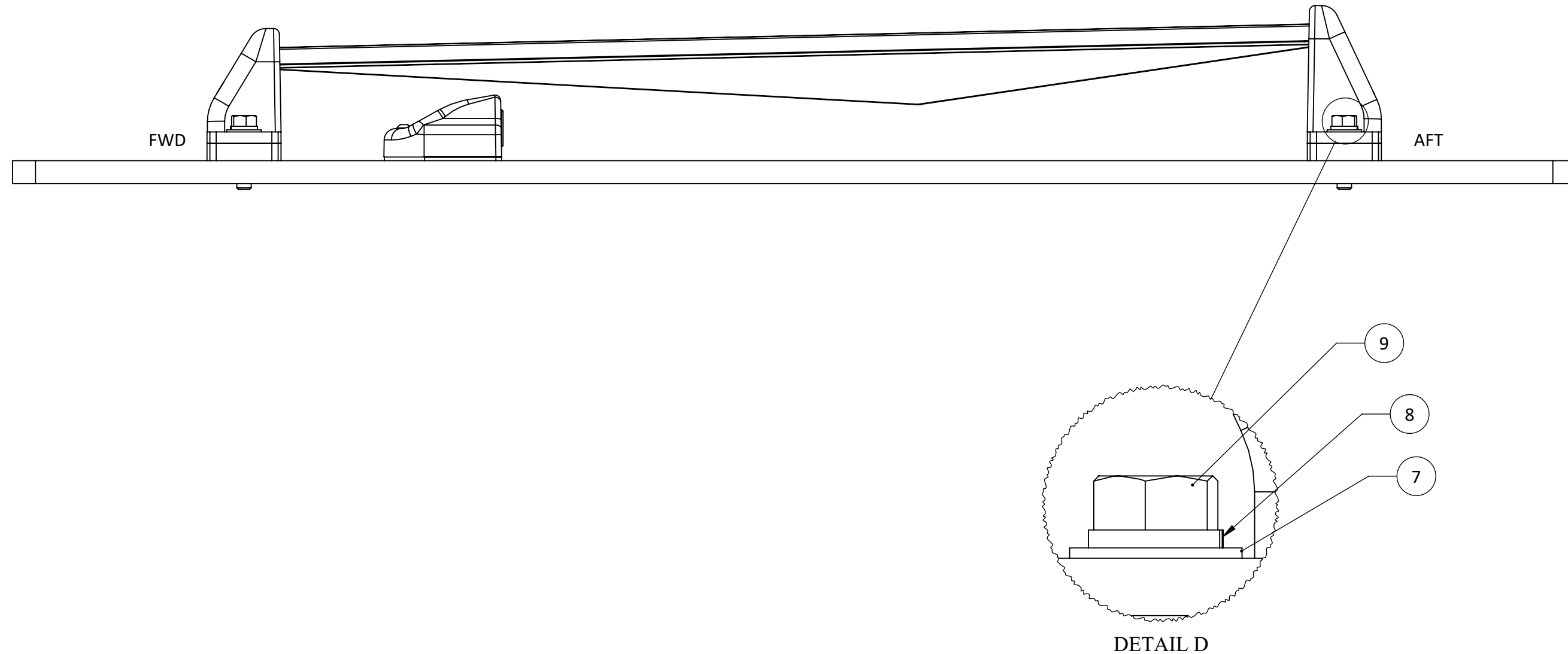
For help e-mail
info@seaviewglobal.com
ph. 1-800-655-7922

7 Attach one mounting plate (item 5) from BOM on page 1) to each end cap using the provided countersunk screws (item 6). Please reference page 6 for small half circle/slot direction on item 5. Then, use items 7 - 9 to secure the forward end cap only. This will allow you to correctly install the antenna in the following step.

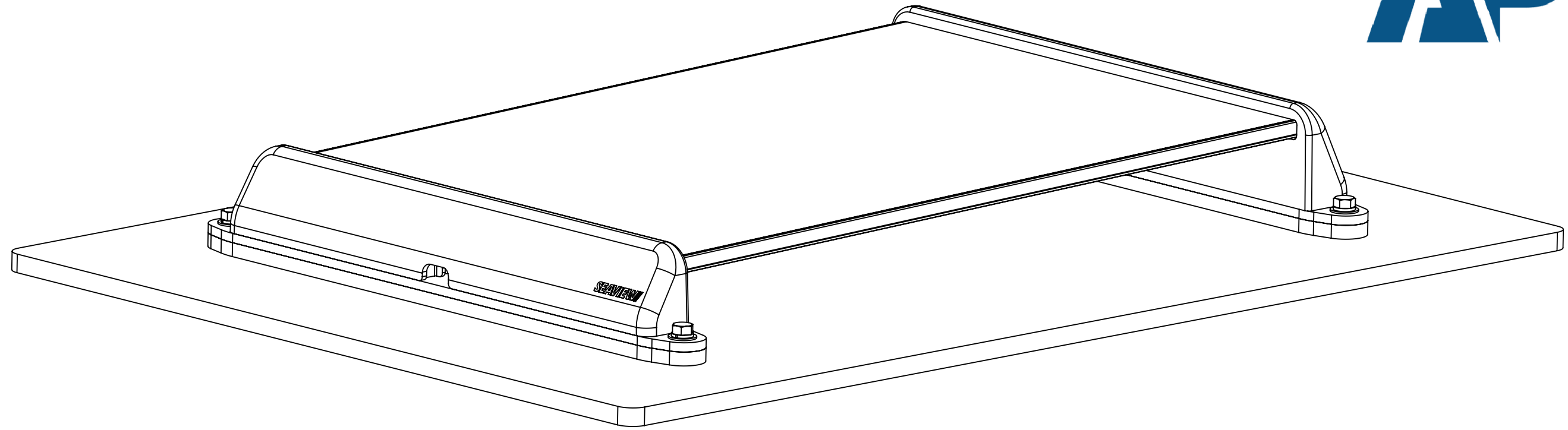


For help e-mail
info@seaviewglobal.com
ph. 1-800-655-7922

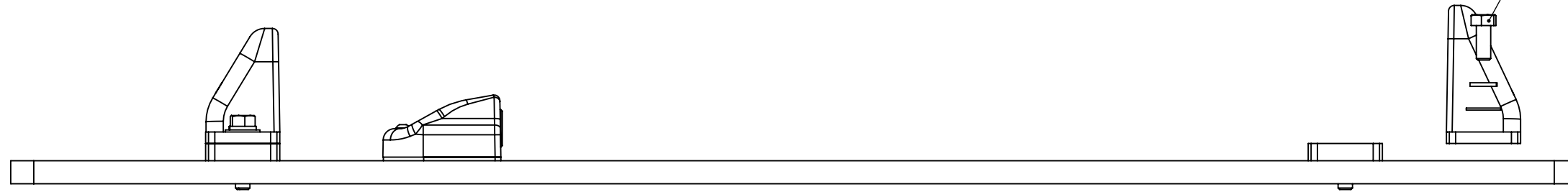
8 After cable seal is mounted in the desired location (reference page 2 & 8), slide antenna into forward facing end cap with antenna exit facing forward. Make sure the antenna is pushed in all the way and that the kickstand is removed. Now, slide antenna into aft tall cap and secure using items **7** - **9**.



For help e-mail
info@seaviewglobal.com
ph. 1-800-655-7922



To remove antenna, simply unbolt one or both end caps by unscrewing the hex head bolts.



For help e-mail
info@seaviewglobal.com
ph. 1-800-655-7922