

## Specifications

### Placement

Passenger side, in front, where seat frame meets floor board

### Seat Configuration

Bucket or 40/20/40 split bench

### Construction/Finish

Steel/Black powder coat

### Dimensions

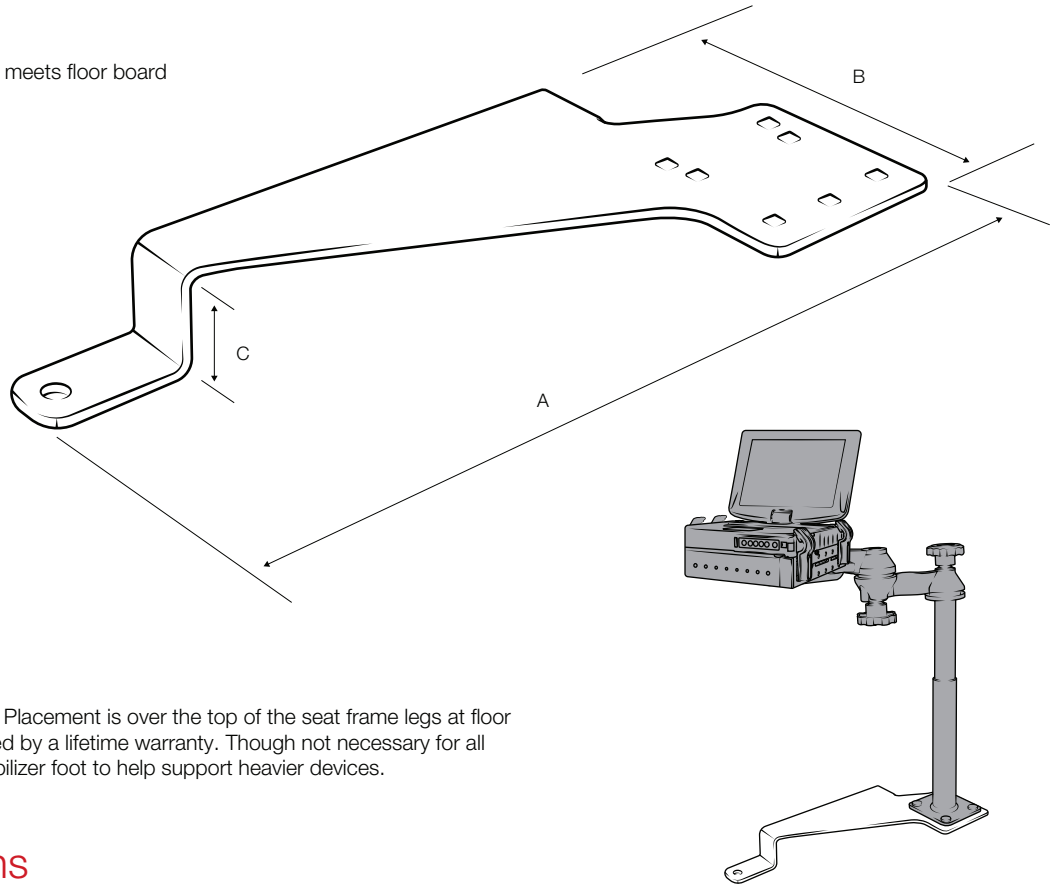
(A) 14.875" (B) 7" (C) 2"  
(Hole Center) 13.625"

### Pole or Pedestal

Ordered separately

### Drilling Required

None - uses existing seat bolts



## Features

Installs in minutes with no drilling required. Placement is over the top of the seat frame legs at floor board level. Rock solid construction backed by a lifetime warranty. Though not necessary for all applications, kit comes with additional stabilizer foot to help support heavier devices.

## Installation Instructions

**Please read through the installation instructions entirely before beginning the installation of this product.**

Depending on your make and model, there may be pieces of plastic trim that cover the lower front of the seat frame legs. This will need to be removed and stored. In some Ford models, under the plastic trim cover is a small Allen head screw. Remove this to allow the plastic trim to accommodate the drill base.

- 1 Move the passenger side seat to its rearmost position.
- 2 Using the appropriate socket, loosen and remove the two bolts holding the seat frame legs to the floor board.
- 3 Gently lift the front of the seat upward to create a 1/4 inch gap under the seat frame legs.
- 4 Slide the RAM® No-Drill™ base under the seat frame legs with the pedestal platform near the center of the vehicle and align the holes of the seat legs, no drill base, and threaded holes in the floor plan.
- 5 Re-install the two seat frame bolts. Start the thread by hand and then fully tighten with the socket wrench.
- 6 Though not necessary for all applications, this base comes with a stabilizer foot. Use this in the place of one of the carriage bolts that secure the lower female pole to the no drill base. This foot should be adjusted so that it touches off on the floor pan and supports the overhang of the base.

RMR-INS-VB-195



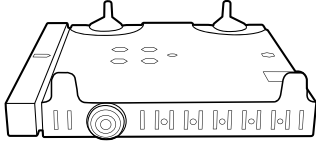
### Safety Precaution

Do not install this product near or over an airbag deployment area or in a location that obstructs the driver's vision or interferes with vehicle operation. National Products, Inc does not assume responsibility or liability for any such personal injury, death or property damage.

## Parts Index

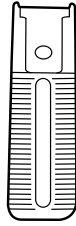
\* Not to scale

Patented & Pats. Pend.  
rammount.com/ip



**A**

Tray Assembly



**B**

(x4) Long Arms



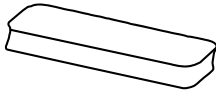
**C**

(x4) Short Arms



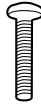
**D**

(x4) Angled Brackets



**E**

(x2) Foam Pads



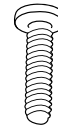
**F**

(x4) Screws  
#8-32 x 3/4"



**G**

(x4) Nylock Nuts  
#8-32



**H**

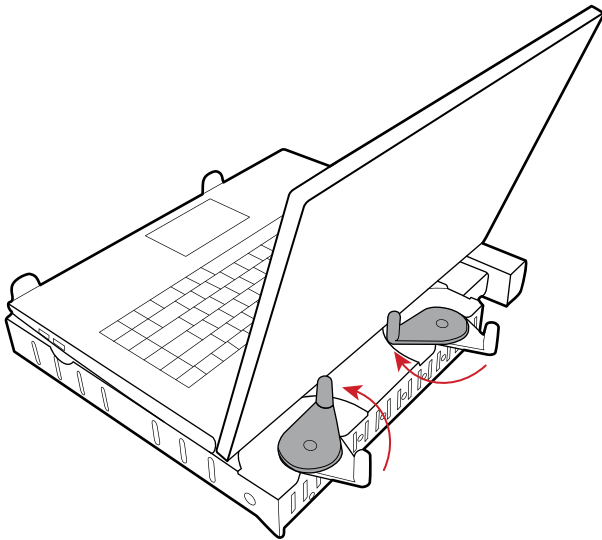
(x4) Screws  
#10-24 x 3/4"



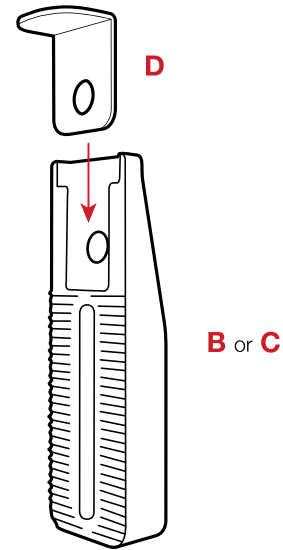
**I**

(x4) Nylock Nuts  
#10-24

**1** Place laptop on tray with lid open. Using a screwdriver, loosen and rotate the rear posts to seat properly against the back of your laptop.



**2** Select **(B)** or **(C) Arms** depending on what is most appropriate for the thickness of your laptop. Slide **(D) Angled brackets** into selected arms until you hear a satisfying "click".



RMR-INS-2347

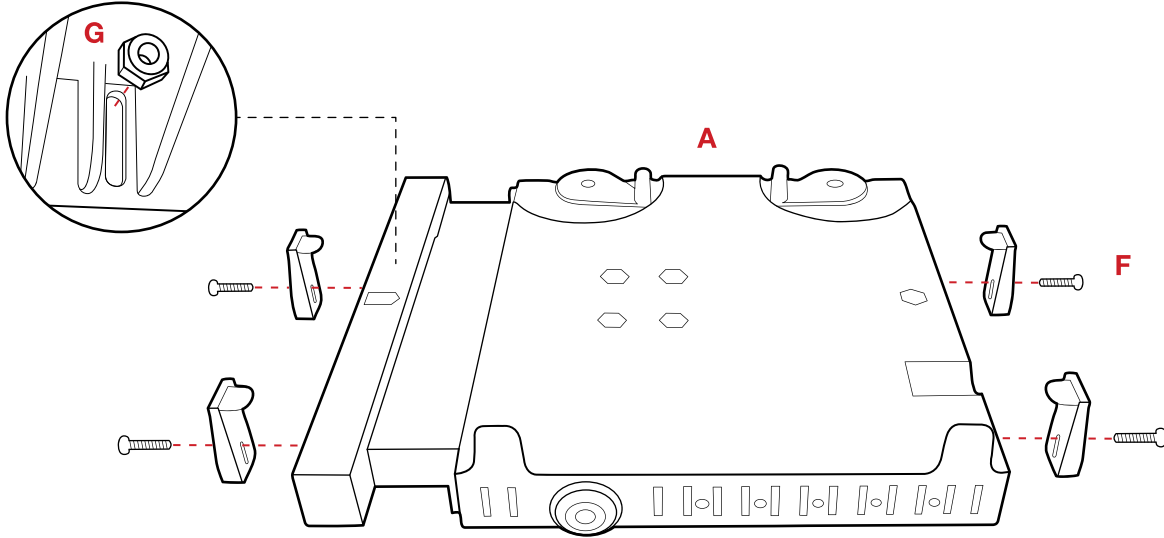


### Safety Precaution

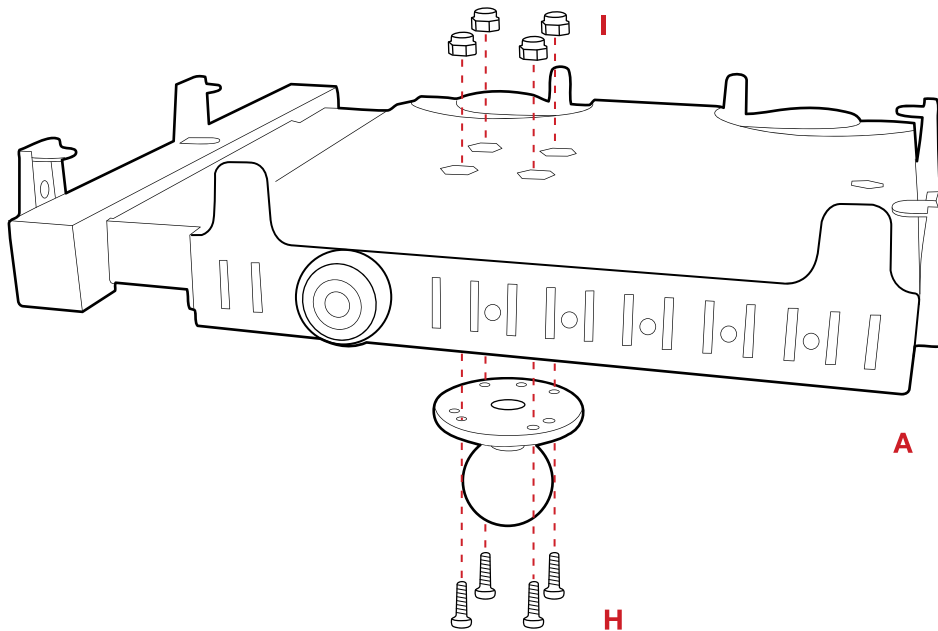
Do not install this product near or over an airbag deployment area or in a location that obstructs the driver's vision or interferes with vehicle operation. Electronic devices attached to this product are not to be used while vehicle is in motion. National Products, Inc. does not assume responsibility or liability for any such personal injury, death, or property damage.

- 3 Connect selected arms from Step 2 to the sides of the **(A) Tray** using **(F) Screws** and **(G) Nuts**. Select holes on the sides of the tray that will not block any necessary port or drive access.

Position the arms so that the **(D) Angled Brackets** rest flush against laptop keyboard.



- 4 Connect **(A) Tray** to ball (not included) using **(H) Screws** and **(I) Nuts**.



RMR-INS-2347

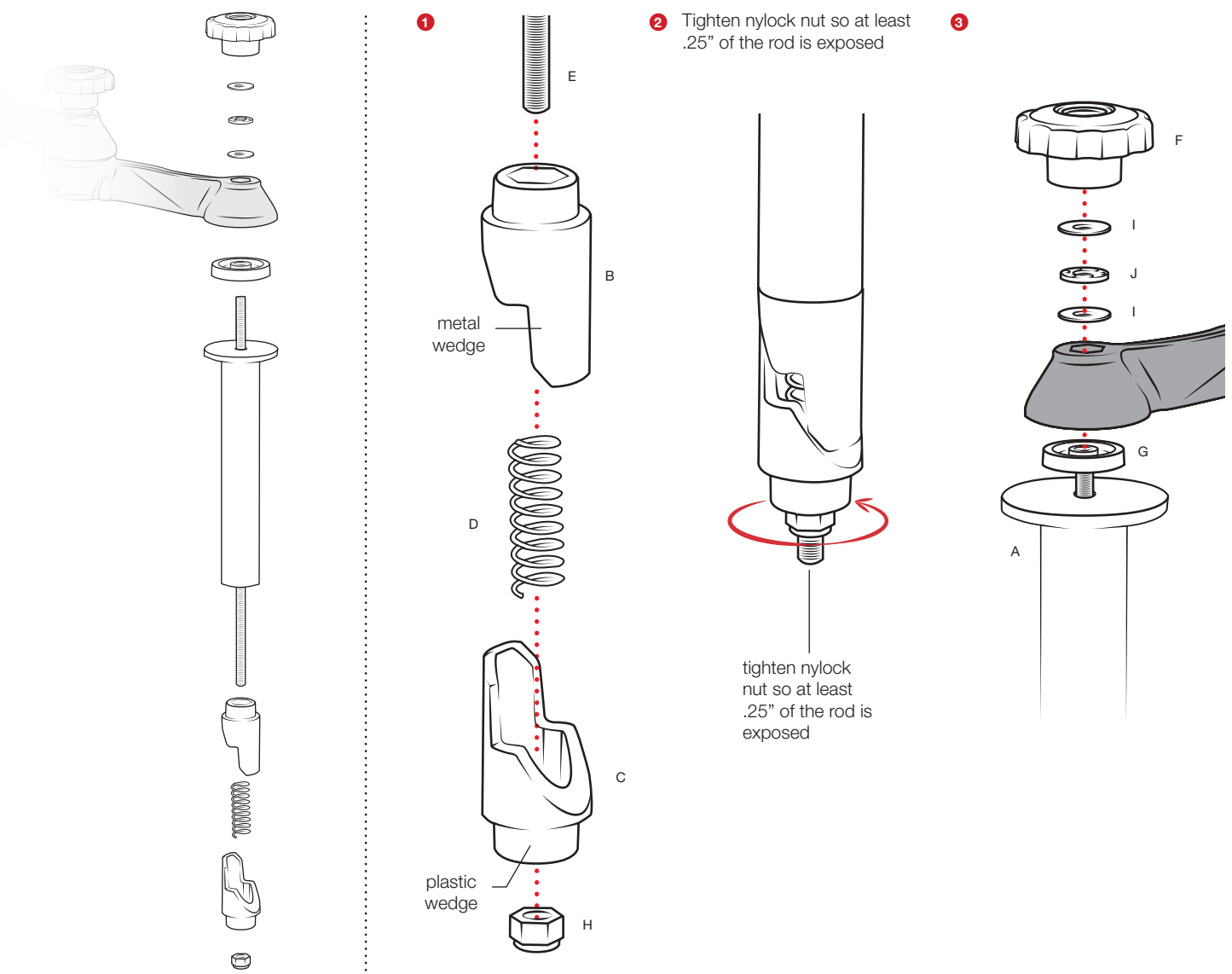
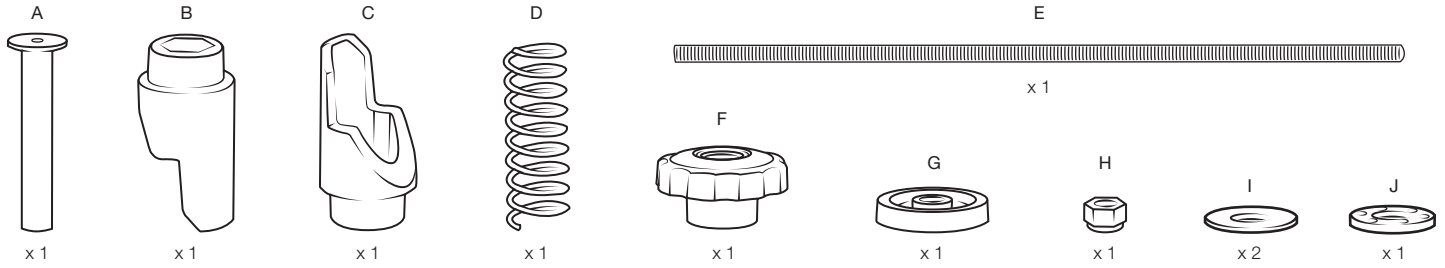


**Safety Precaution**

Do not install this product near or over an airbag deployment area or in a location that obstructs the driver's vision or interferes with vehicle operation. Electronic devices attached to this product are not to be used while vehicle is in motion. National Products, Inc. does not assume responsibility or liability for any such personal injury, death, or property damage.

## Parts Index

Not to scale



### Safety Precaution

Do not install this product near or over an airbag deployment area or in a location that obstructs the driver's vision or interferes with vehicle operation. National Products, Inc does not assume responsibility or liability for any such personal injury, death or property damage.

RMR-INS-VB-TP