

Specifications

Placement

Passenger side on the floor using the seat leg bolts to anchor product. This base is not for use in GM vehicles with front seat leg hooks.

Seat Configuration

Bucket/Bench

Drilling Required

For many vehicles drilling is not required but for some applications, drilling may be necessary.

Construction/Finish

Steel/Black powder coat

Dimensions

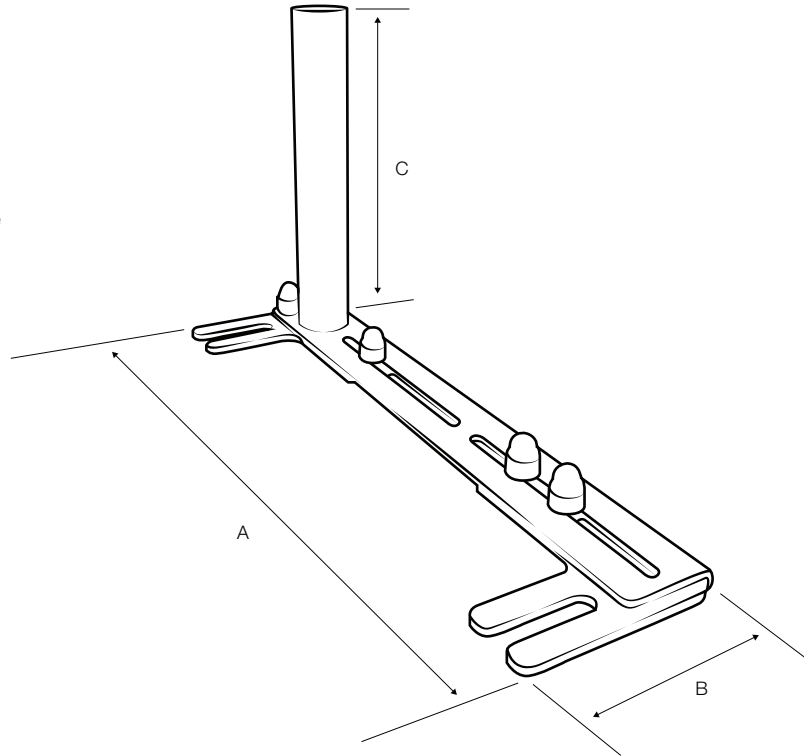
(A) 16.188" (B) 5.75" (C) 9.75"
(Hole Center) 9" min to 8.875" max

Pole or Pedestal

Lower tube is welded to base

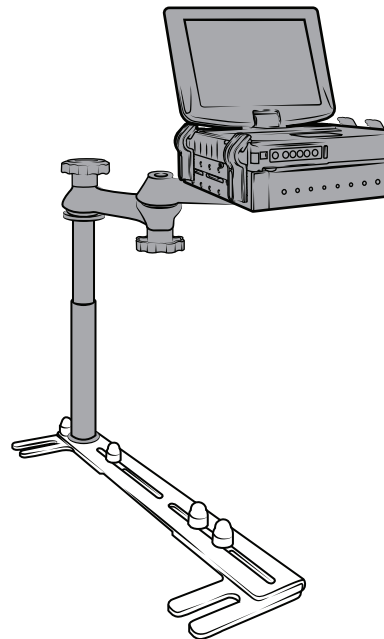
Weight

5.6 lbs.



Important Note

Slotted design allows this base to fit a wide variety of vehicles. This base will not interfere with factory installed console in most installations. Product has 16.188" min base width but accommodates as low as 9" hole center seat leg bolts.



RMR-INS-VB-196



Safety Precaution

Do not install this product near or over an airbag deployment area or in a location that obstructs the driver's vision or interferes with vehicle operation. National Products, Inc does not assume responsibility or liability for any such personal injury, death or property damage.

Installation Instructions

This product may be installed in several ways. It is up to the installer to determine the best location for the product.

Typical locations are:

- Under seat frame legs.
- Over seat frame legs using supplied spacers and longer bolts.
- Between seat frame and seat tracks.

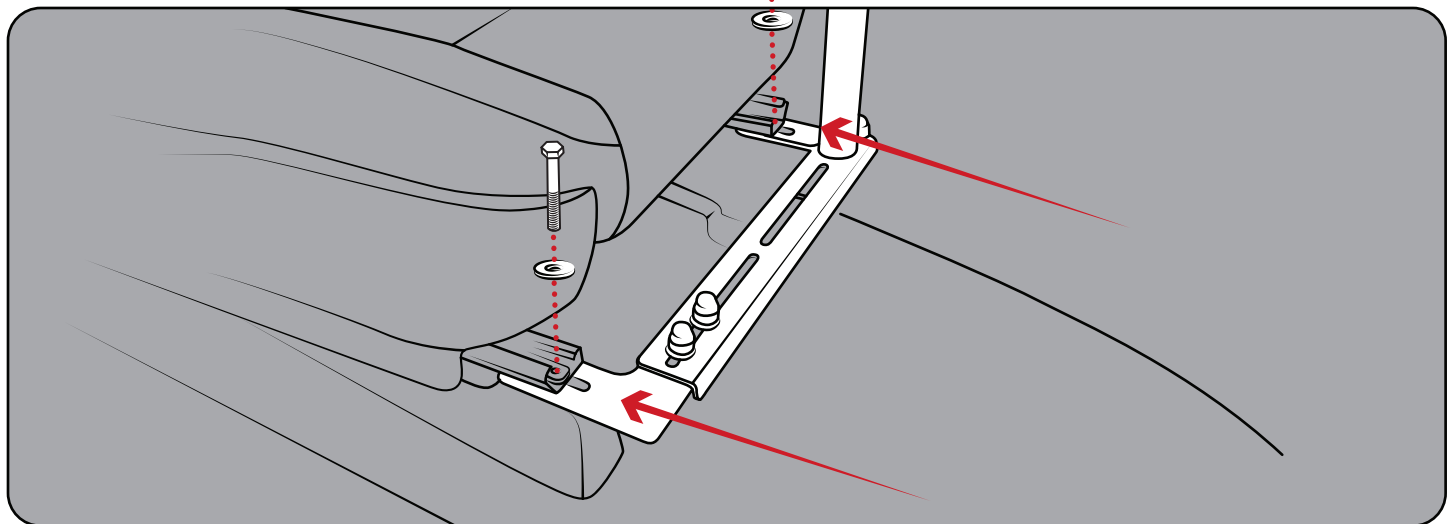
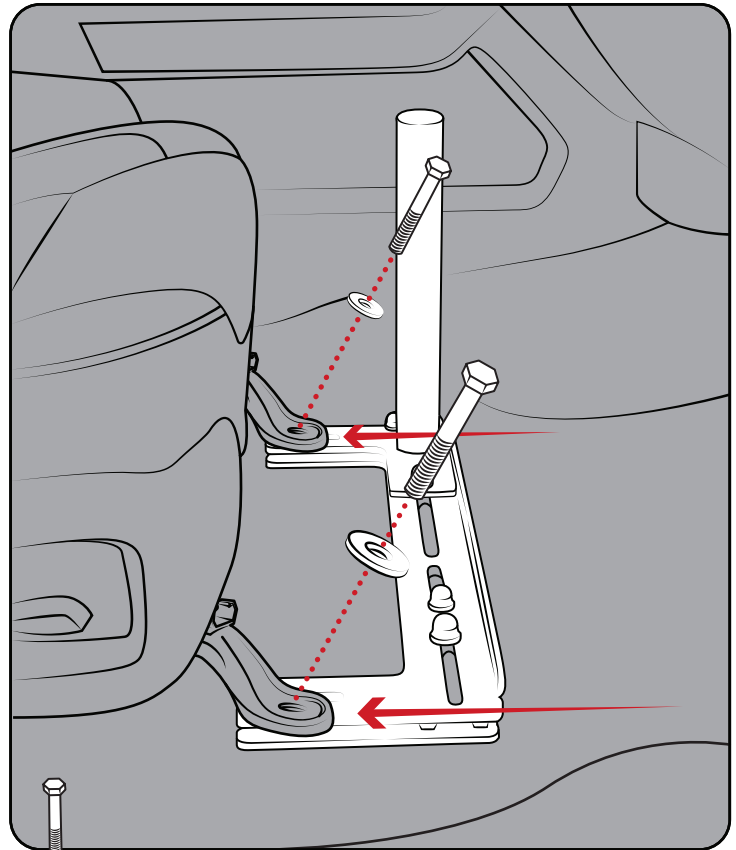
- 1 Move the passenger seat to the rear-most position.
- 2 Remove or loosen the front seat leg bolts that secure the passenger side seat legs to the floor pan.
- 3 If installing under the seat legs, gently lift the front of the seat and place the base under the front of the seat frame legs. Given the many applications for this product, what is stated here may not apply to your vehicle.
- 4 With the base positioned per your application, fully tighten mounting hardware to secure the seat legs and no drill base into the vehicle.

Helpful Tips

If using the supplied stand off tubes, choose the set that will sit the most flat in the seat bolt pocket. Also, carefully match up the thread of the factory bolt to the thread of the supplied bolt to insure they are an exact match. If you cannot find a match, you will need to source the correct bolts.

Seat Tracks

Seat Frame Legs



RMR-INS-VB-196



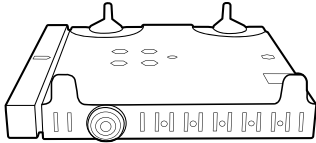
Safety Precaution

Do not install this product near or over an airbag deployment area or in a location that obstructs the driver's vision or interferes with vehicle operation. National Products, Inc does not assume responsibility or liability for any such personal injury, death or property damage.

Parts Index

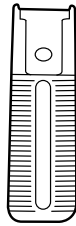
* Not to scale

Patented & Pats. Pend.
rammount.com/ip



A

Tray Assembly



B

(x4) Long Arms



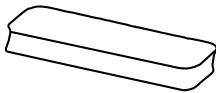
C

(x4) Short Arms



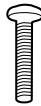
D

(x4) Angled Brackets



E

(x2) Foam Pads



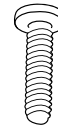
F

(x4) Screws
#8-32 x 3/4"



G

(x4) Nylock Nuts
#8-32



H

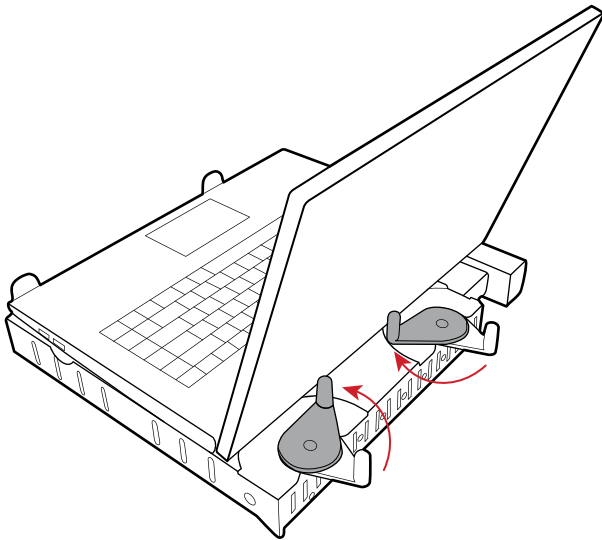
(x4) Screws
#10-24 x 3/4"



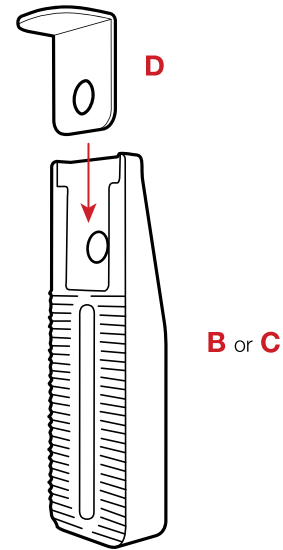
I

(x4) Nylock Nuts
#10-24

1 Place laptop on tray with lid open. Using a screwdriver, loosen and rotate the rear posts to seat properly against the back of your laptop.



2 Select **(B)** or **(C) Arms** depending on what is most appropriate for the thickness of your laptop. Slide **(D) Angled brackets** into selected arms until you hear a satisfying "click".



RMR-INS-2347

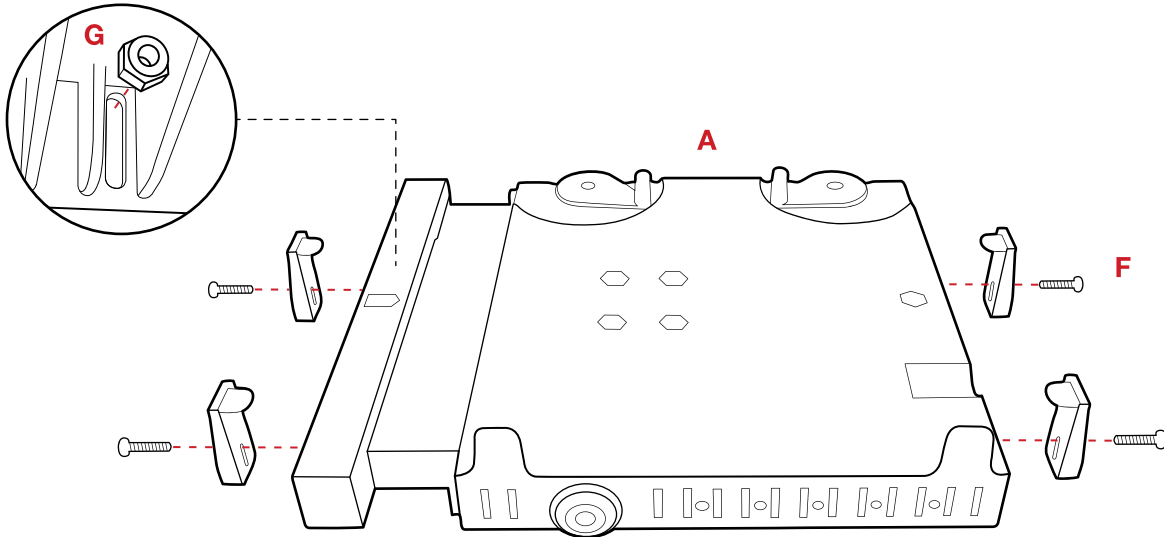


Safety Precaution

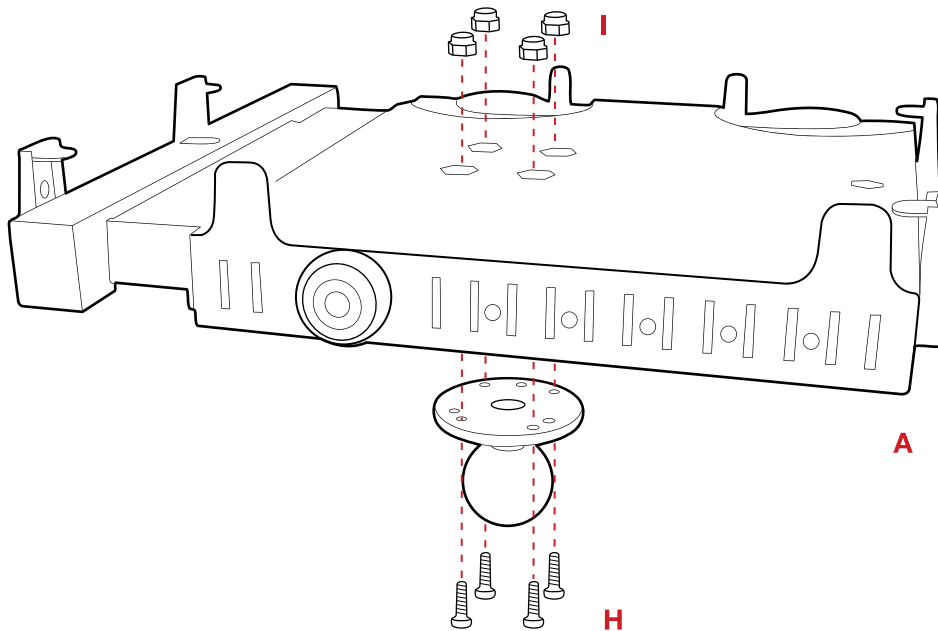
Do not install this product near or over an airbag deployment area or in a location that obstructs the driver's vision or interferes with vehicle operation. Electronic devices attached to this product are not to be used while vehicle is in motion. National Products, Inc. does not assume responsibility or liability for any such personal injury, death, or property damage.

- 3 Connect selected arms from Step 2 to the sides of the **(A) Tray** using **(F) Screws** and **(G) Nuts**. Select holes on the sides of the tray that will not block any necessary port or drive access.

Position the arms so that the **(D) Angled Brackets** rest flush against laptop keyboard.



- 4 Connect **(A) Tray** to ball (not included) using **(H) Screws** and **(I) Nuts**.



RMR-INS-2347

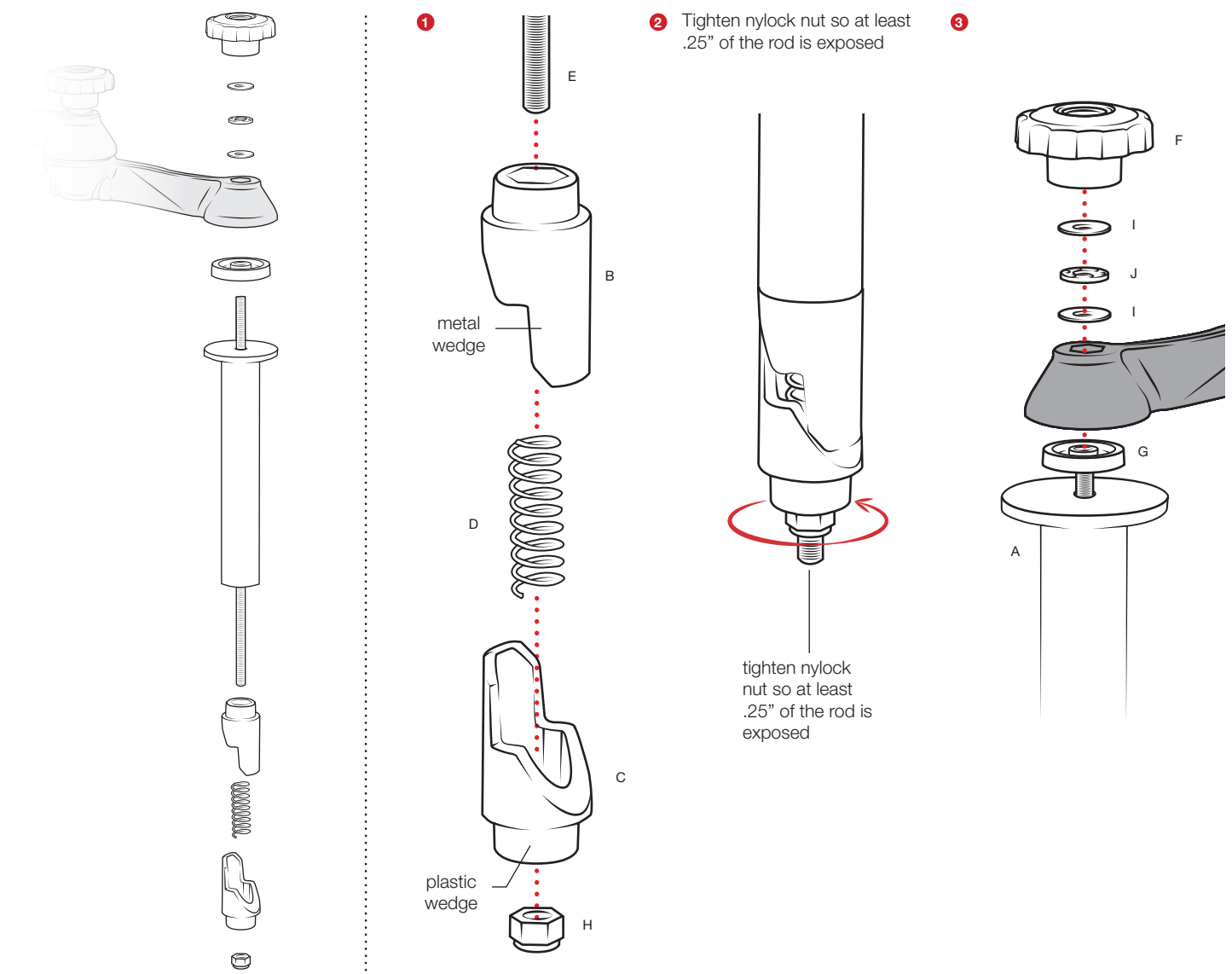
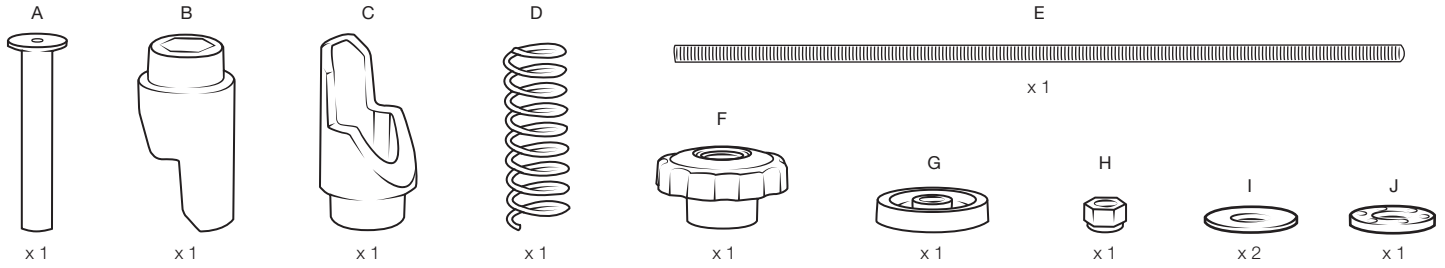


Safety Precaution

Do not install this product near or over an airbag deployment area or in a location that obstructs the driver's vision or interferes with vehicle operation. Electronic devices attached to this product are not to be used while vehicle is in motion. National Products, Inc. does not assume responsibility or liability for any such personal injury, death, or property damage.

Parts Index

Not to scale



Safety Precaution

Do not install this product near or over an airbag deployment area or in a location that obstructs the driver's vision or interferes with vehicle operation. National Products, Inc does not assume responsibility or liability for any such personal injury, death or property damage.

RMR-INS-VB-TP