

Specifications

Placement

Front seat, passenger side, where seat rail frame attaches to floor

Seat Configuration

Bucket

Drilling Required

None - uses existing seat bolts

Construction/Finish

Black powder-coated steel

Dimensions

A = 20.25" B = 7.25" C = 3.5"

Outside slot seat bolt distance: 17.75" center to center

Inside hole seat bolt distance: 16" center to center

Weight

2.8 lbs.

Pole or Pedestal

Order separately

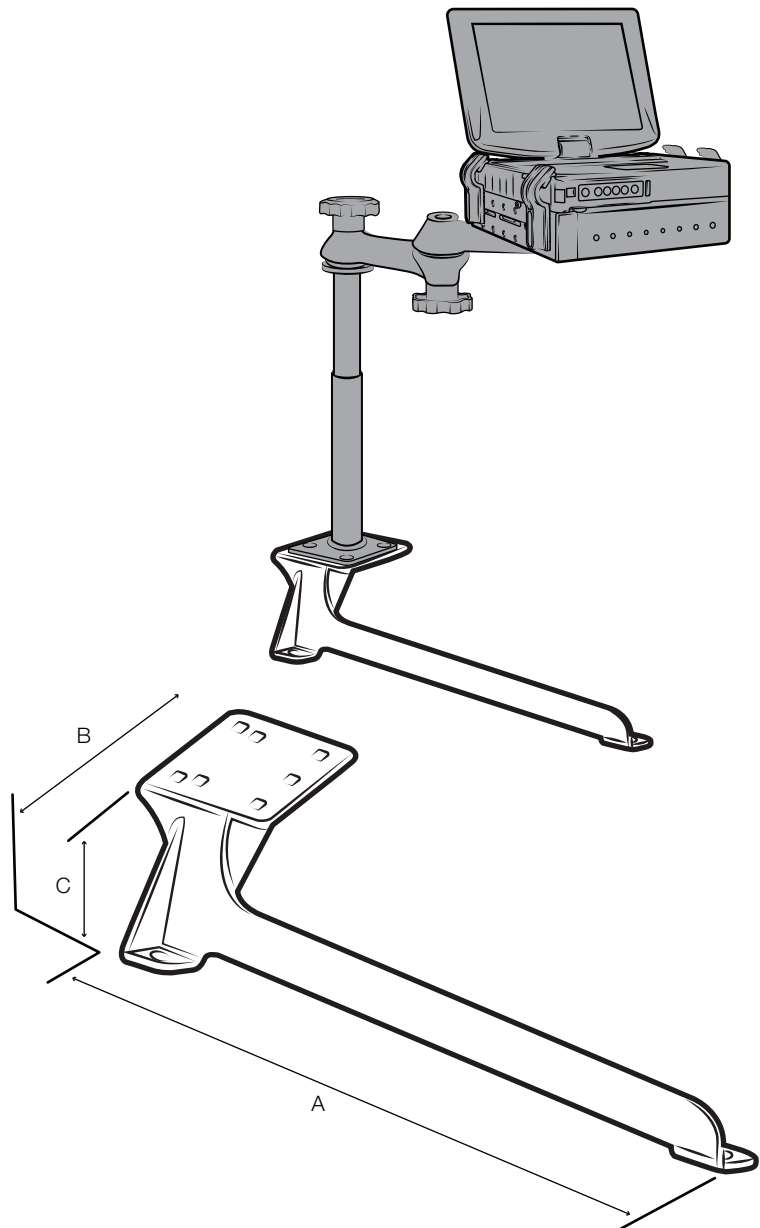
Features

Installs in minutes with no drilling required

Minimal interference with passenger leg space

Rock-solid construction

Lifetime warranty



Installation Instructions

- 1 Move the passenger seat back to its rearmost position and remove the front seat leg bolts. Store these bolts for later use.
- 2 Without moving the seat, place the No-Drill™ base over the front of the seat frame legs.
- 3 Align the holes in the metal base with those in the seat frame and floor.
- 4 Place the stand-offs supplied in the kit over threaded holes and position the RAM® No-Drill™ base over them.
- 5 Place the flat washers over the supplied longer bolts and thread by hand through the base, stand-offs, and into the floor.
- 6 With both bolts started by hand, use a socket wrench to fully tighten the mounting hardware and secure the base.

RMR-INS-VB-154



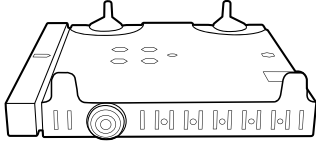
Safety Precaution

Do not install this product near or over an airbag deployment area or in a location that obstructs the driver's vision or interferes with vehicle operation. National Products, Inc does not assume responsibility or liability for any such personal injury, death or property damage.

Parts Index

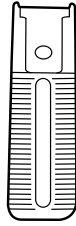
* Not to scale

Patented & Pats. Pend.
rammount.com/ip



A

Tray Assembly



B

(x4) Long Arms



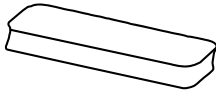
C

(x4) Short Arms



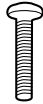
D

(x4) Angled Brackets



E

(x2) Foam Pads



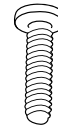
F

(x4) Screws
#8-32 x 3/4"



G

(x4) Nylock Nuts
#8-32



H

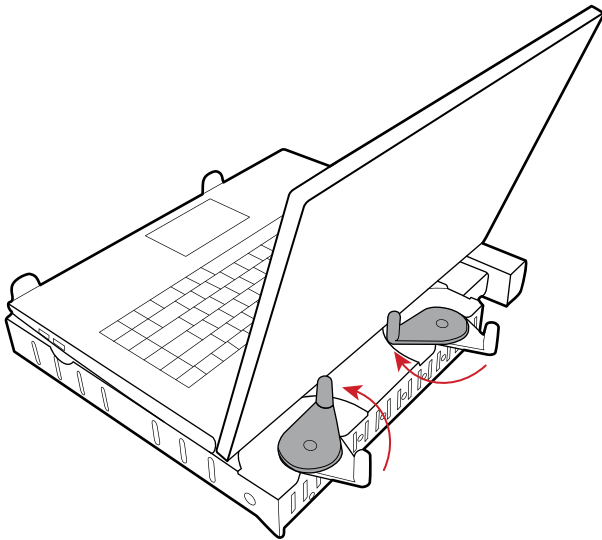
(x4) Screws
#10-24 x 3/4"



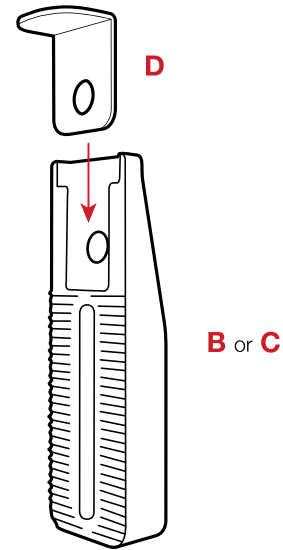
I

(x4) Nylock Nuts
#10-24

1 Place laptop on tray with lid open. Using a screwdriver, loosen and rotate the rear posts to seat properly against the back of your laptop.



2 Select **(B)** or **(C) Arms** depending on what is most appropriate for the thickness of your laptop. Slide **(D) Angled brackets** into selected arms until you hear a satisfying "click".



RMR-INS-2347

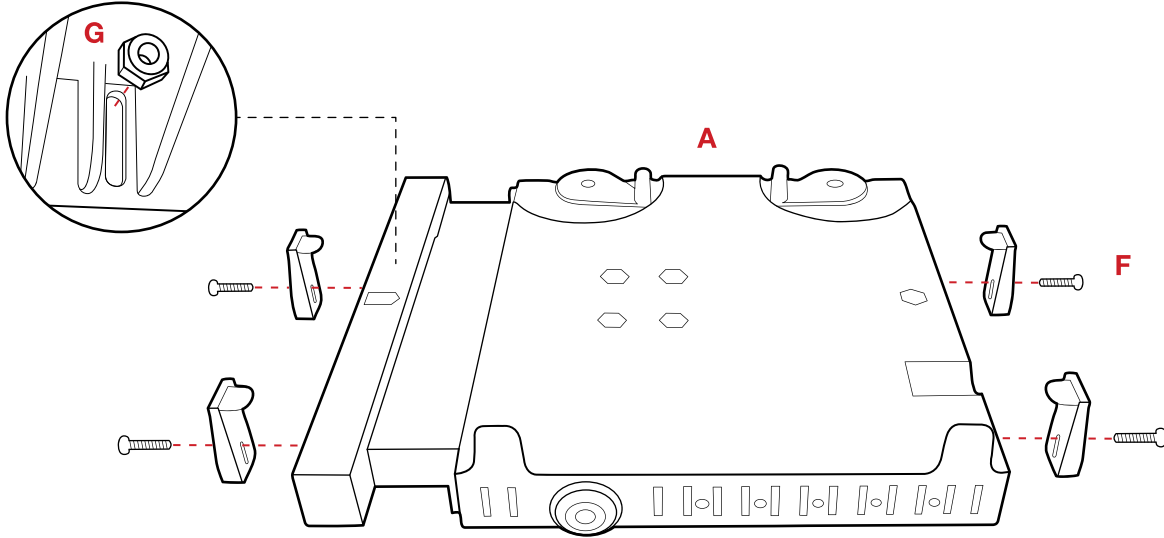


Safety Precaution

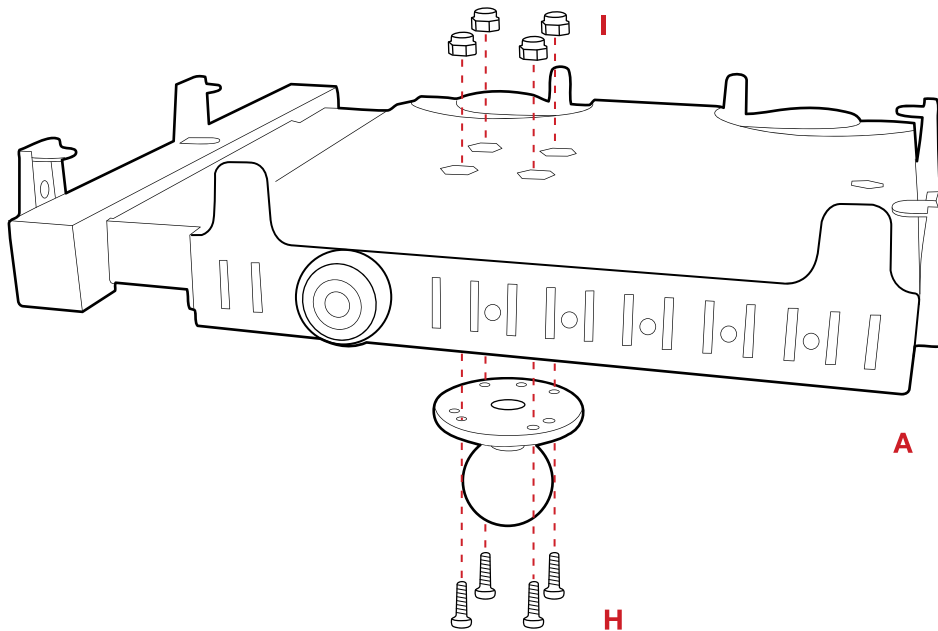
Do not install this product near or over an airbag deployment area or in a location that obstructs the driver's vision or interferes with vehicle operation. Electronic devices attached to this product are not to be used while vehicle is in motion. National Products, Inc. does not assume responsibility or liability for any such personal injury, death, or property damage.

- 3 Connect selected arms from Step 2 to the sides of the **(A) Tray** using **(F) Screws** and **(G) Nuts**. Select holes on the sides of the tray that will not block any necessary port or drive access.

Position the arms so that the **(D) Angled Brackets** rest flush against laptop keyboard.



- 4 Connect **(A) Tray** to ball (not included) using **(H) Screws** and **(I) Nuts**.



RMR-INS-2347

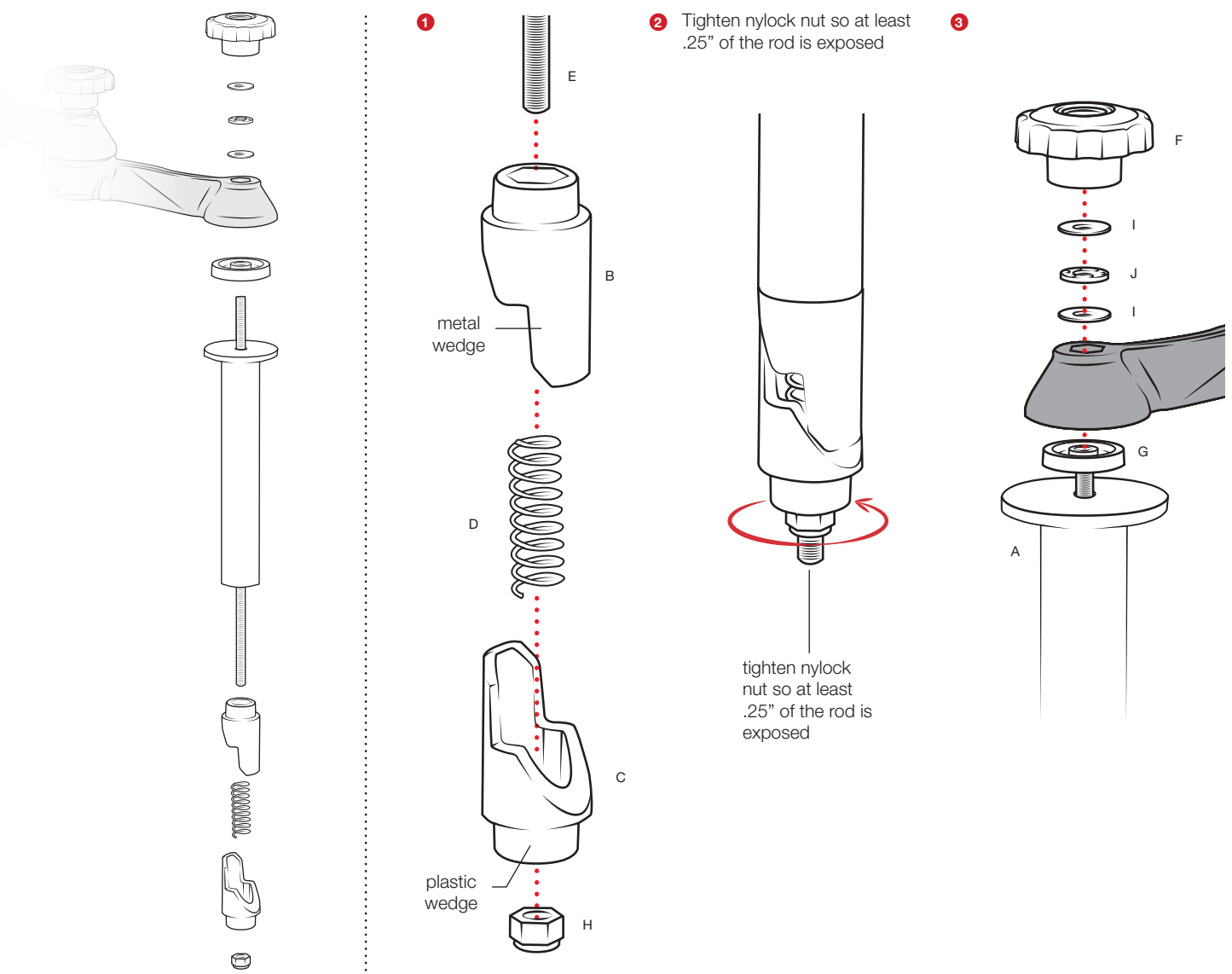
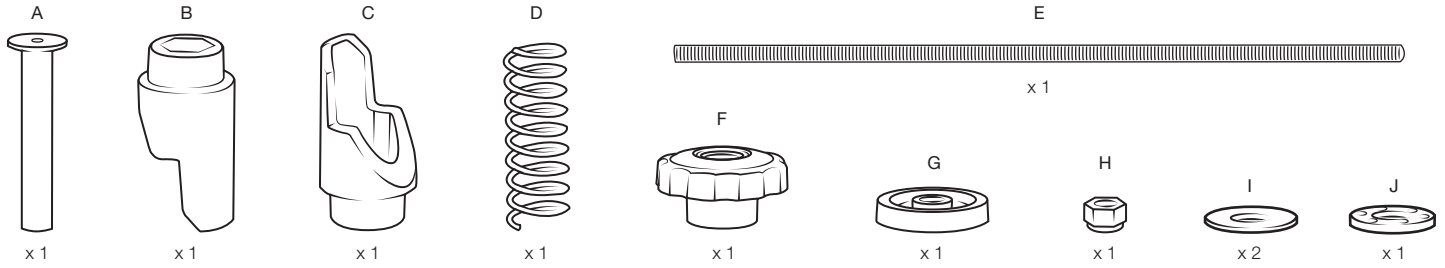


Safety Precaution

Do not install this product near or over an airbag deployment area or in a location that obstructs the driver's vision or interferes with vehicle operation. Electronic devices attached to this product are not to be used while vehicle is in motion. National Products, Inc. does not assume responsibility or liability for any such personal injury, death, or property damage.

Parts Index

Not to scale



Safety Precaution

Do not install this product near or over an airbag deployment area or in a location that obstructs the driver's vision or interferes with vehicle operation. National Products, Inc does not assume responsibility or liability for any such personal injury, death or property damage.

RMR-INS-VB-TP