

## Specifications

### Placement

Passenger side on the floor, in front seat

### Seat Configuration

Bucket/Split bench

### Drilling Required

None - uses existing seat bolts.

### Construction/Finish

Steel/Black powder coat

### Dimensions

(A) 14.75" (B) 3.8" (C) 1.75"  
(Hole Center) 13.25"

### Pole or Pedestal

Purchased separately  
Depending on kit sold, 4" or adjustable riser  
included for better positioning of pedestal

### Weight

2.1 lbs.

## Features

Installs in minutes with no drilling required

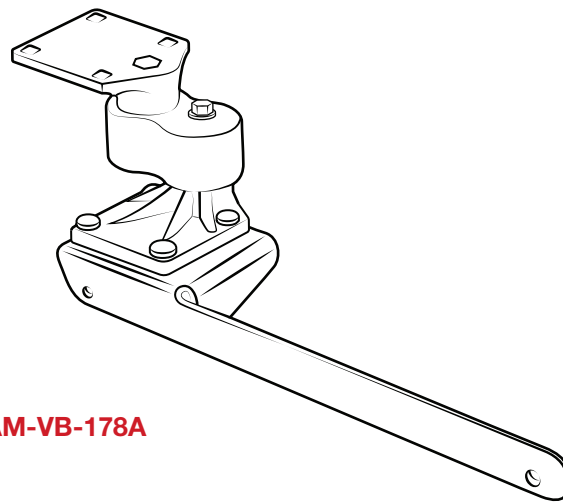
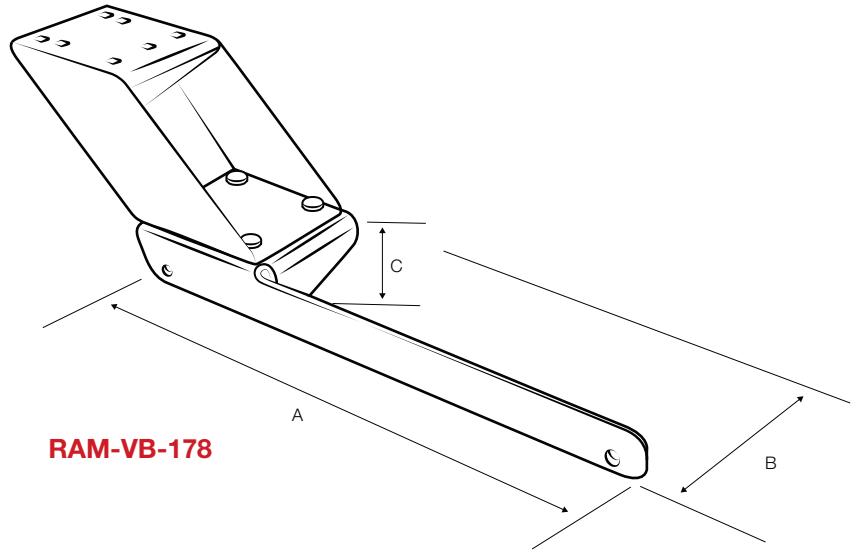
Low profile keeps mount away from passenger leg space

Won't interfere with levers or factory-installed console or 4WD lever

Designed to accommodate trucks with PTO or under seat air duct

Rock solid construction

Lifetime warranty



RMR-INS-VB-178



### Safety Precaution

Do not install this product near or over an airbag deployment area or in a location that obstructs the driver's vision or interferes with vehicle operation. National Products, Inc does not assume responsibility or liability for any such personal injury, death or property damage.

## Installation Instructions

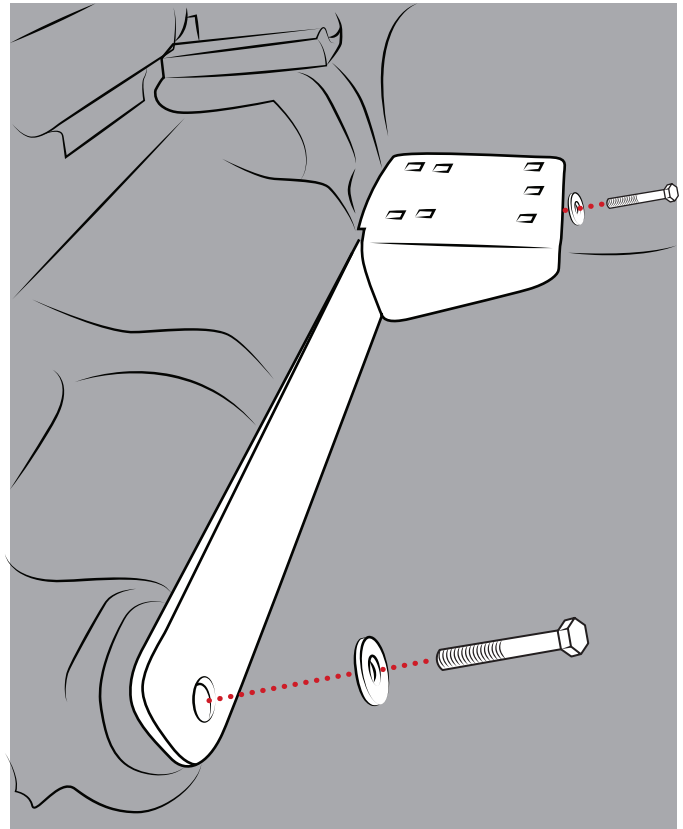
Note that on some trim levels a plastic cover blocks access to the outermost seat leg bolt. This cover has to be removed and stored for installation into Crew or Quad cab models. It can be put back in place after installation on standard cab models. For 2012 model years and newer, the use of the adjustable riser sold in the RAM-VB-178A series kit is suggested to better position the upper pole assembly near the center hump/console.

### Regular and extended cab models

- 1 Move the passenger seat back to its rear-most position and remove the two front seat rail bolts on the passenger side using the 15MM socket. These pass through the seat frame legs into the floor board.
- 2 Without moving the seat, place the RAM® No-Drill™ base over the front of the seat frame legs.
- 3 Align the holes in the base with those of the seat frame legs. The pedestal platform should be near the console.
- 4 Re-install the seat bolts and fully tighten.

### Crew or quad cab models with under seat air duct

- 1 Move the passenger seat back to its rearmost position and remove the two front seat rail bolts on the passenger side using the 15MM socket. Store these so that they can be reinstalled should the laptop stand be removed later.
- 2 This kit comes with 2 small stand-offs shaped like short sections of pipe, two longer seat leg bolts, and two flat washers. Pass the bolts through the flat washers and then each through the holes on the RAM® No-Drill™ base.
- 3 Place the stand off over the hole in the seat frame leg. The stand off goes in between the seat frame leg and the RAM® No-Drill™ base providing a gap to clear the under seat air duct in some vehicle models.
- 4 With the stand off in place and the bolt now passing through the stand off, start the thread by hand on each bolt.
- 5 Once the bolt is started, use the 13MM socket to fully tighten the seat leg bolt.



RMR-INS-VB-178



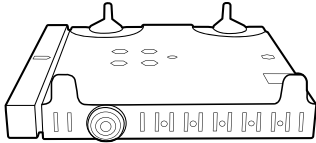
### Safety Precaution

Do not install this product near or over an airbag deployment area or in a location that obstructs the driver's vision or interferes with vehicle operation. National Products, Inc does not assume responsibility or liability for any such personal injury, death or property damage.

## Parts Index

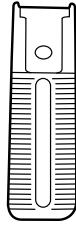
\* Not to scale

Patented & Pats. Pend.  
rammount.com/ip



**A**

Tray Assembly



**B**

(x4) Long Arms



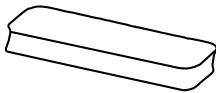
**C**

(x4) Short Arms



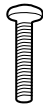
**D**

(x4) Angled Brackets



**E**

(x2) Foam Pads



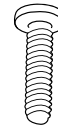
**F**

(x4) Screws  
#8-32 x 3/4"



**G**

(x4) Nylock Nuts  
#8-32



**H**

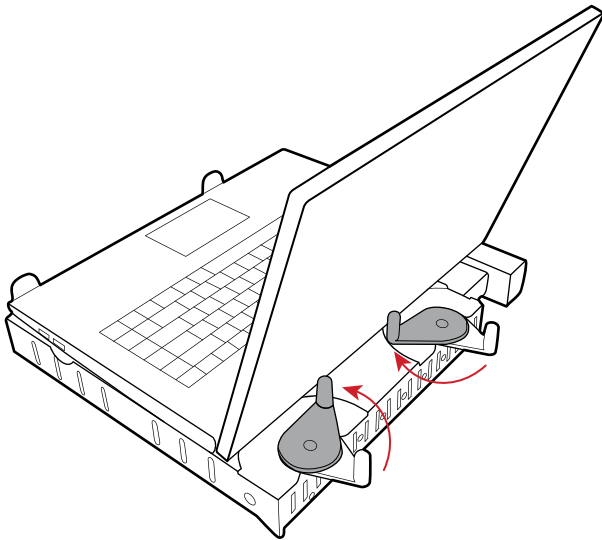
(x4) Screws  
#10-24 x 3/4"



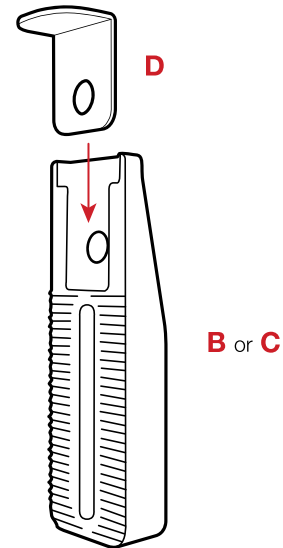
**I**

(x4) Nylock Nuts  
#10-24

**1** Place laptop on tray with lid open. Using a screwdriver, loosen and rotate the rear posts to seat properly against the back of your laptop.



**2** Select **(B)** or **(C) Arms** depending on what is most appropriate for the thickness of your laptop. Slide **(D) Angled brackets** into selected arms until you hear a satisfying "click".



RMR-INS-2347

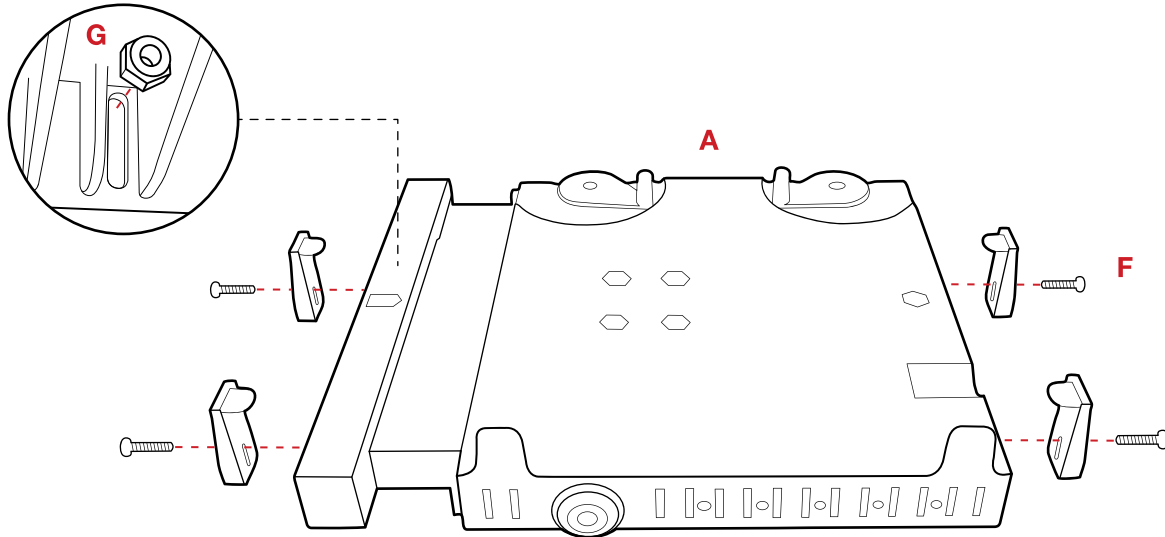


### Safety Precaution

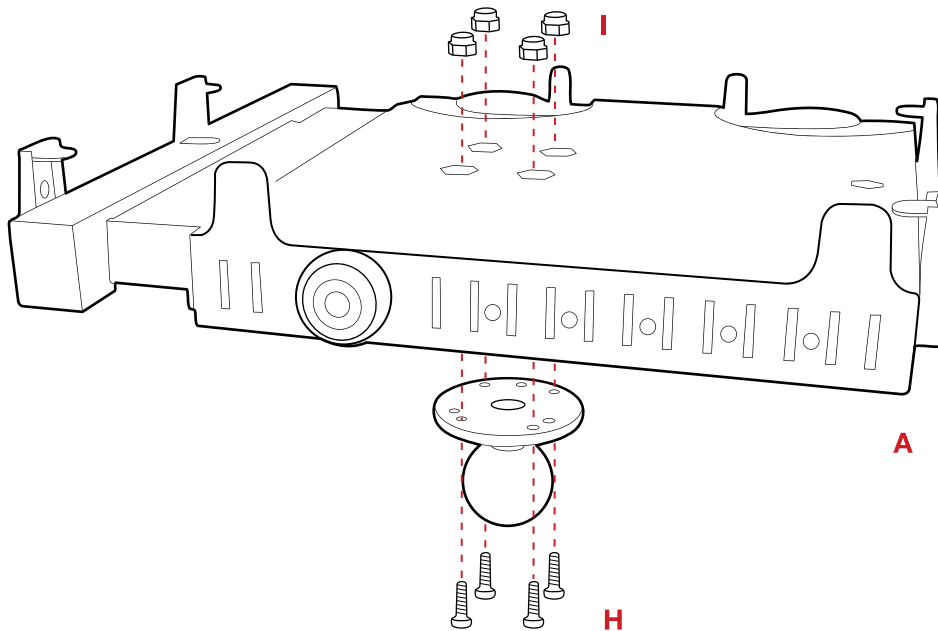
Do not install this product near or over an airbag deployment area or in a location that obstructs the driver's vision or interferes with vehicle operation. Electronic devices attached to this product are not to be used while vehicle is in motion. National Products, Inc. does not assume responsibility or liability for any such personal injury, death, or property damage.

- 3 Connect selected arms from Step 2 to the sides of the **(A) Tray** using **(F) Screws** and **(G) Nuts**. Select holes on the sides of the tray that will not block any necessary port or drive access.

Position the arms so that the **(D) Angled Brackets** rest flush against laptop keyboard.



- 4 Connect **(A) Tray** to ball (not included) using **(H) Screws** and **(I) Nuts**.



RMR-INS-2347

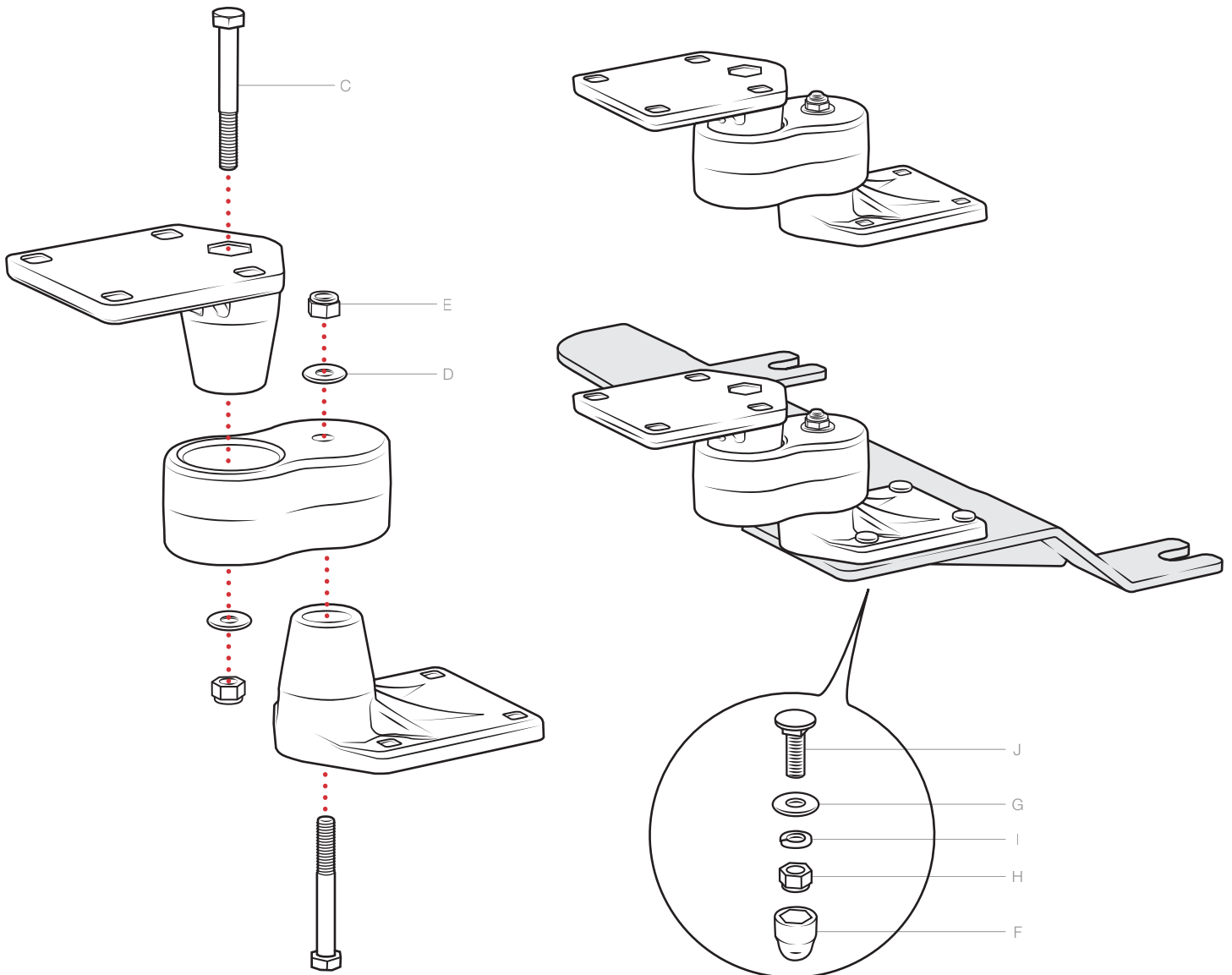
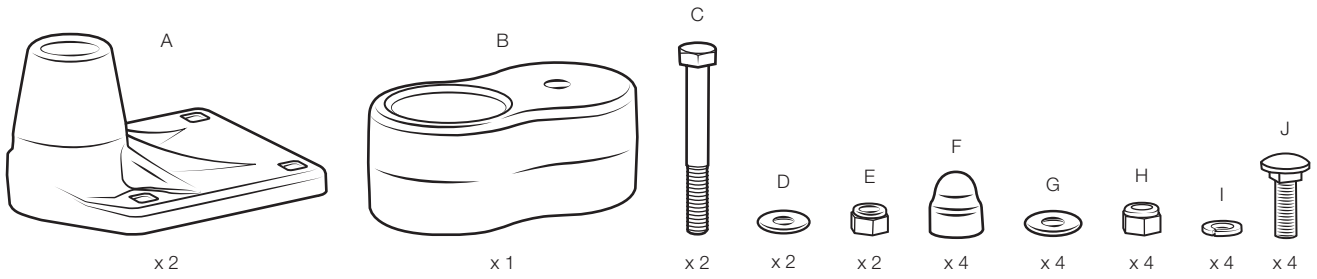


### Safety Precaution

Do not install this product near or over an airbag deployment area or in a location that obstructs the driver's vision or interferes with vehicle operation. Electronic devices attached to this product are not to be used while vehicle is in motion. National Products, Inc. does not assume responsibility or liability for any such personal injury, death, or property damage.

**Parts Index**

not to scale



RMR-INS-VB-ADJ1

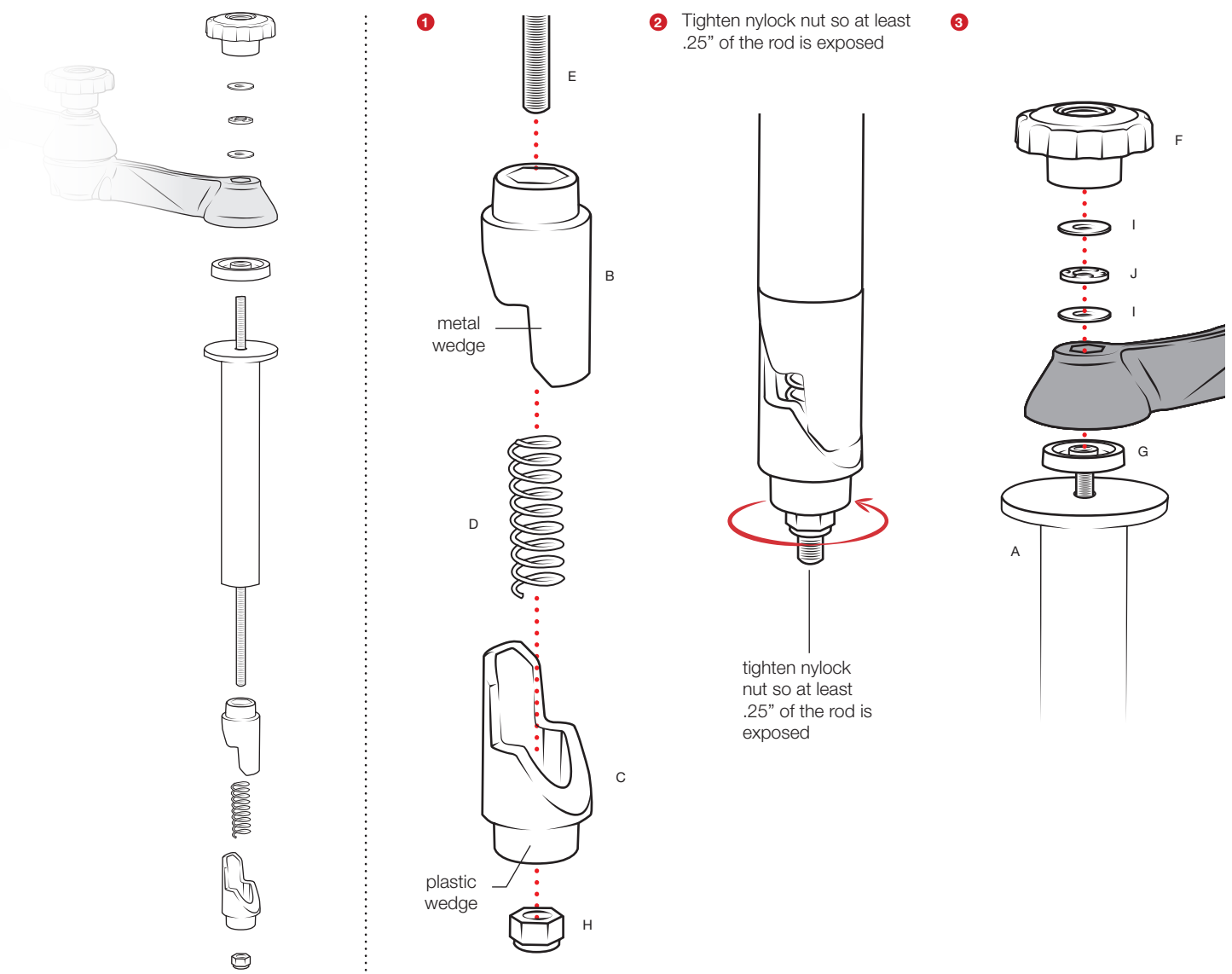
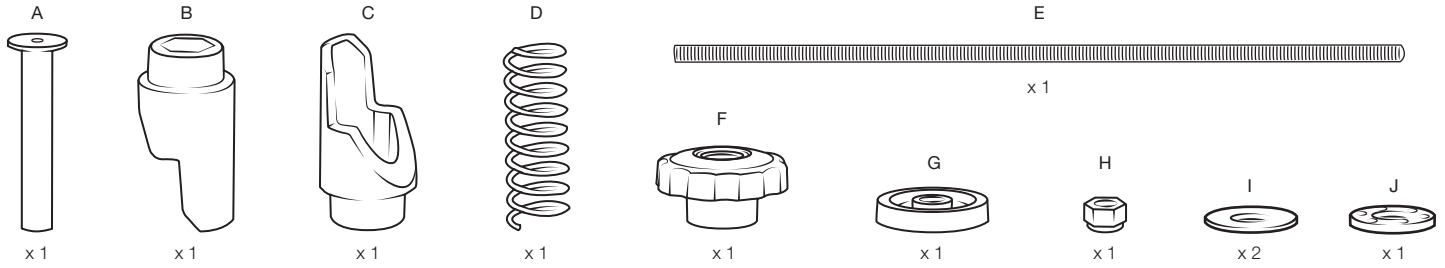


**Safety Precaution**

Do not install this product near or over an airbag deployment area or in a location that obstructs the driver's vision or interferes with vehicle operation. National Products, Inc does not assume responsibility or liability for any such personal injury, death or property damage.

## Parts Index

Not to scale



### Safety Precaution

Do not install this product near or over an airbag deployment area or in a location that obstructs the driver's vision or interferes with vehicle operation. National Products, Inc does not assume responsibility or liability for any such personal injury, death or property damage.

RMR-INS-VB-TP