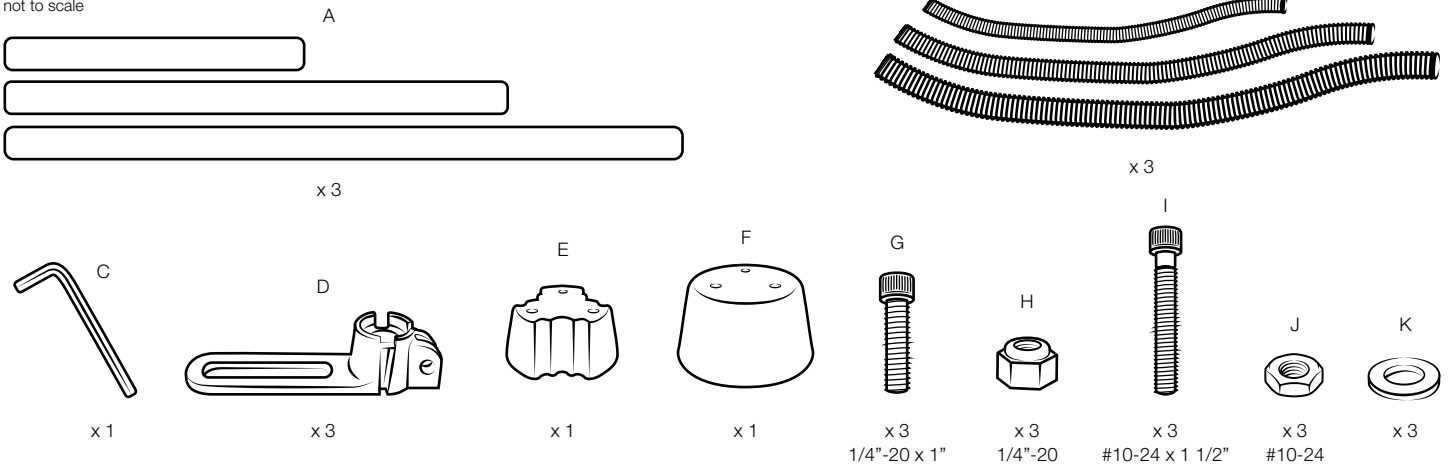


Parts Index

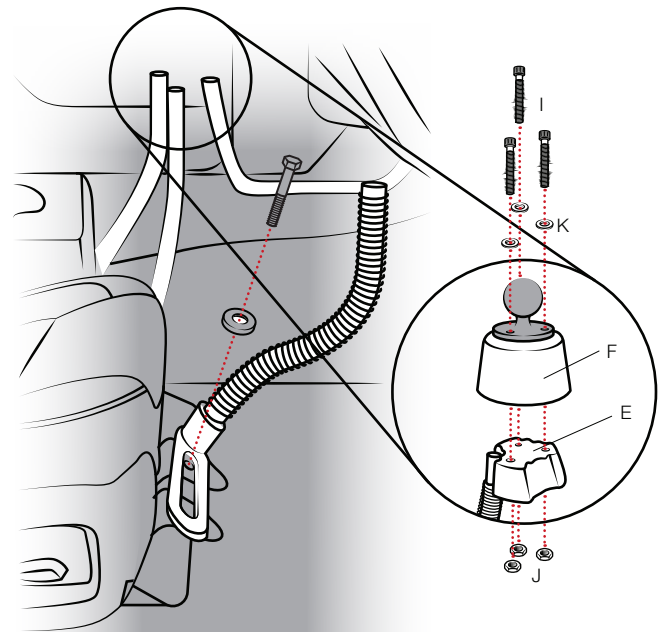
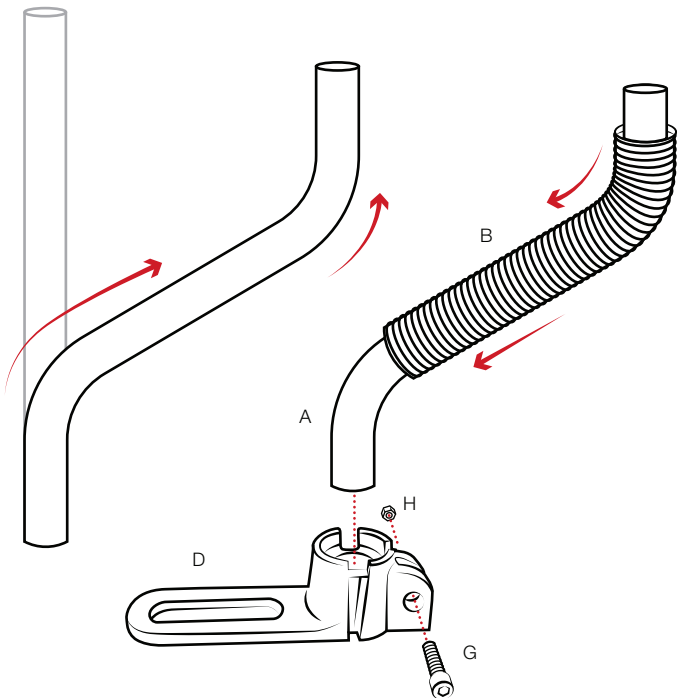
* not to scale



Before installation, locate the best possible attachment points for (D) foot bases, such as a seat bolt or any other existing screw, nut or bolt. If desired, you may drill your own attachment point using a bolt, washer and nut, or with a sheet metal screw.

1 Pre-bend (A) flex rods to brace against another object while mounted, such as the center console of your vehicle. Assemble the seat base as shown. Make sure you have each (A) flex rod pre-bent to the desired angle before sliding on (B) tube coverings.

2 Locate 3 attachment points and use existing seat bolt and washer to secure the foot base assembly. Align the top of each flex rod with the grooves of (E) housing wedge as shown. Install (F) top housing along with a RAM® ball base or post (not included) using (I and J) screws and nuts. Tighten using (C) allen key. Screws may need to be re-tightened after mount is used or until wedge is fully engaged.



RMR-INS-316

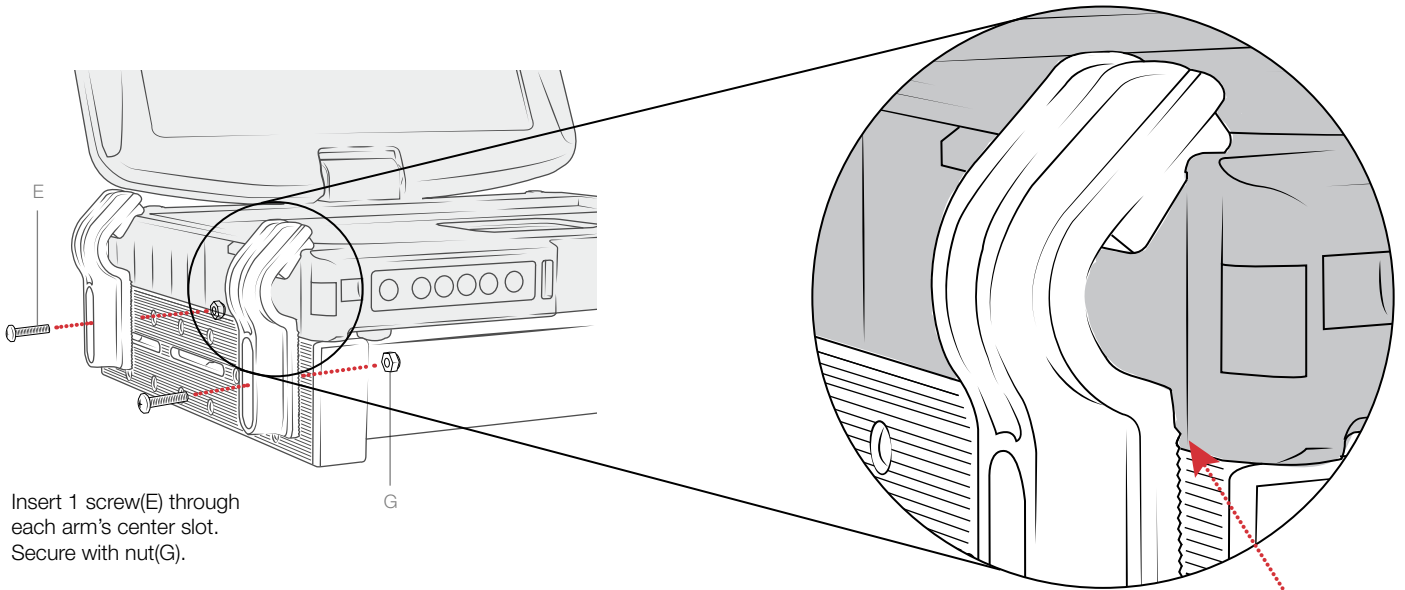
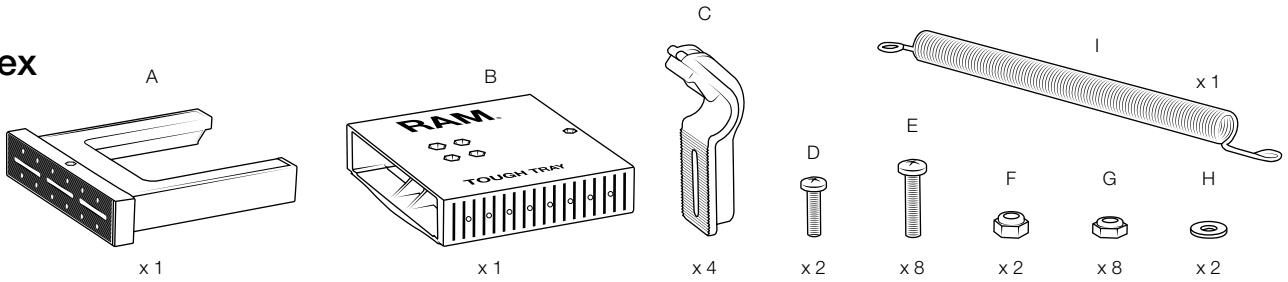


Safety Precaution

Do not install this product near or over an airbag deployment area or in a location that obstructs the driver's vision or interferes with vehicle operation. National Products, Inc does not assume responsibility or liability for any such personal injury, death or property damage.

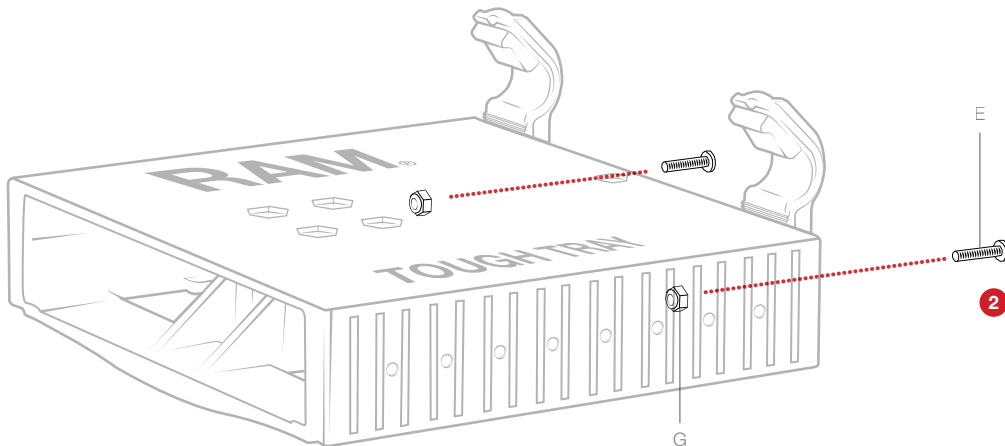
Parts Index

not to scale



- 1 Insert 1 screw(E) through each arm's center slot. Secure with nut(G).

Adjust the side arm position to accommodate your laptop's thickness and to keep any needed ports open. Note the placement of the ridges when setting the arm height.



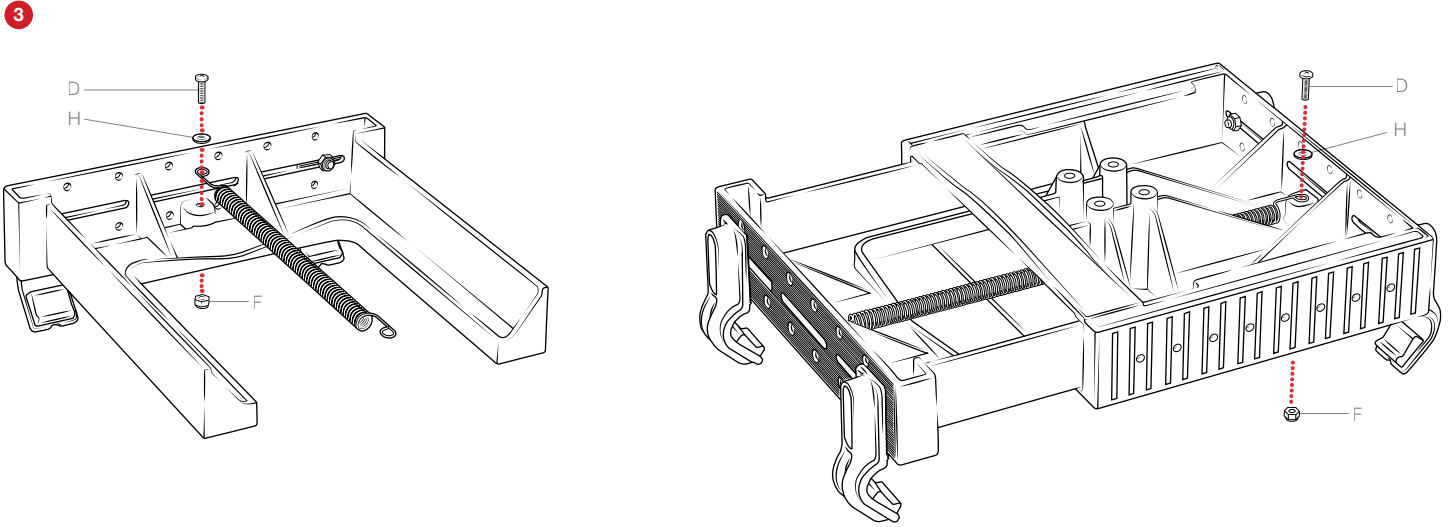
- 2 Repeat process for remaining side arms, keeping the ridge placement consistent.

RMR-INS-2343

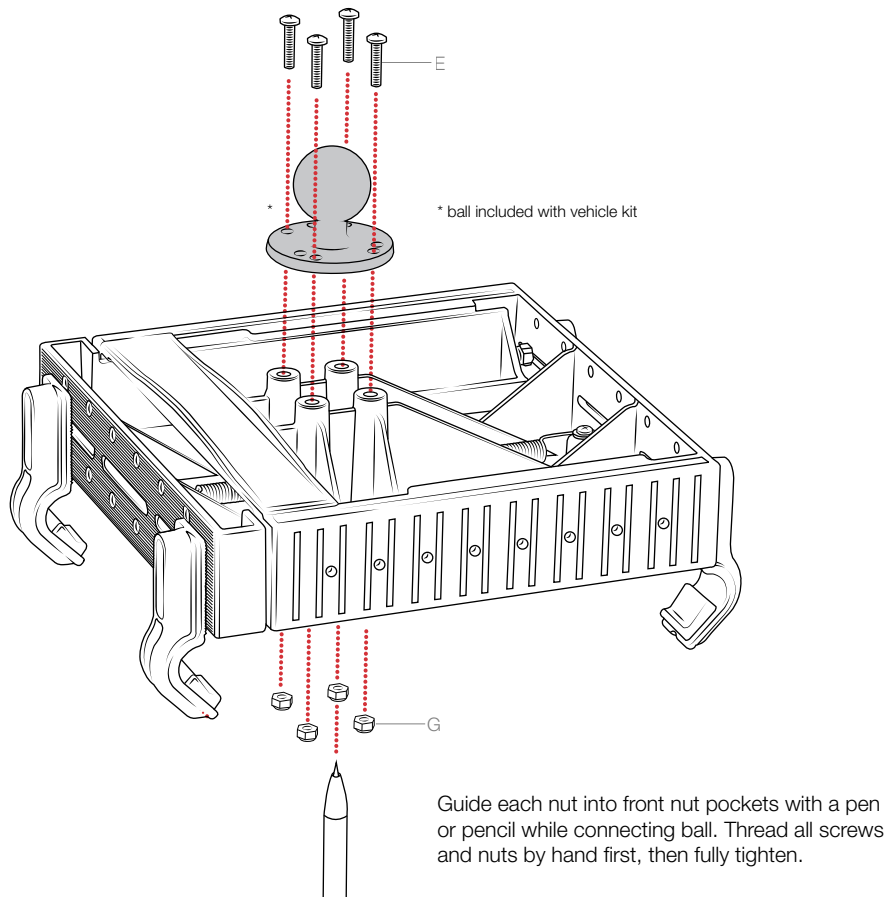


Safety Precaution

Do not install this product near or over an airbag deployment area or in a location that obstructs the driver's vision or interferes with vehicle operation. National Products, Inc does not assume responsibility or liability for any such personal injury, death or property damage.



4



RMR-INS-2343



Safety Precaution

Do not install this product near or over an airbag deployment area or in a location that obstructs the driver's vision or interferes with vehicle operation. National Products, Inc does not assume responsibility or liability for any such personal injury, death or property damage.