

Item Number _____

RAM-VB-181 & RAM-VB-181-SW1

RAM Drill Seat Bases

RAM Mounting Systems

SPECIFICATIONS

Placement

Flat, vertical surface

Drilling Required

Yes

Pole or Pedestal

Included

Seat Configuration

ALL

Weight

2.2 lbs.

Construction/Finish

Steel/Black Powdercoat

Base Dimensions

A = 3", B = 7.5", C = 2.029",
Hole Centers = 3.34"

Back Plate Dimensions

A = 3.25", B = 1.5", Hole Centers = 2"

Misc.

RAM-VB-181 can be mounted on both sides of
RAM 9", 13", 17" and 21" Console Boxes.

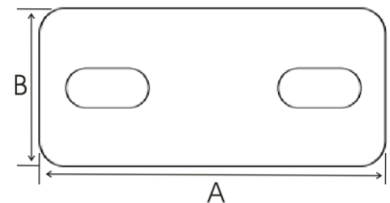
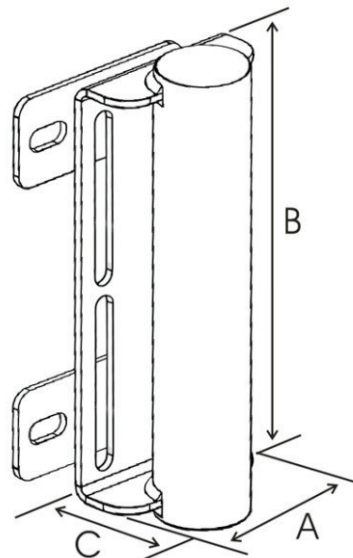
Rugged Steel Construction
Lifetime warranty

RAM Mounting Systems

8410 Dallas Ave S
Seattle, WA 98108
Phone: (206) 763-8361
Fax: (206) 763-9615
www.rammount.com
support@rammount.com



RAM-VB-181-SW1



RAM-VB-181



RAM[®] MOUNTS[®]

RMR-INS-VB-181

Item Number _____

RAM-VB-181 & RAM-VB-181-SW1

RAM Drill Seat Bases

RAM Mounting Systems

INSTALLATION INSTRUCTIONS

1. Place base on vertical flat surface so that the pedestal is in the optimum location.
2. Mark the mounting hole locations. Please note that it might be necessary to shim a corner of the mounting base if the mounting surface is uneven.
3. Drill 17/32" holes in surface at all of the marked locations. Be extremely careful not to damage any equipment behind mounting surface when drilling.
4. Tighten base in place using bolts, washers, and nuts. If the surface is less than 1/4" thick, please use fender washers on the back of mounting surface to help distribute the weight.



In Vehicle Facing Driver



On RAM Console Box



In Vehicle Facing Passenger

RAM Mounting Systems
8410 Dallas Ave S
Seattle, WA 98108
Phone: (206) 763-8361
Fax: (206) 763-9615
www.rammount.com
support@rammount.com

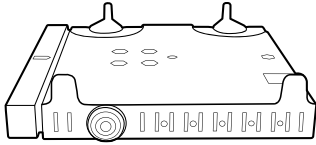


RMR-INS-VB-181

Parts Index

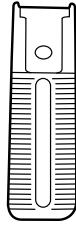
* Not to scale

Patented & Pats. Pend.
rammount.com/ip



A

Tray Assembly



B

(x4) Long Arms



C

(x4) Short Arms



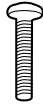
D

(x4) Angled Brackets



E

(x2) Foam Pads



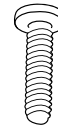
F

(x4) Screws
#8-32 x 3/4"



G

(x4) Nylock Nuts
#8-32



H

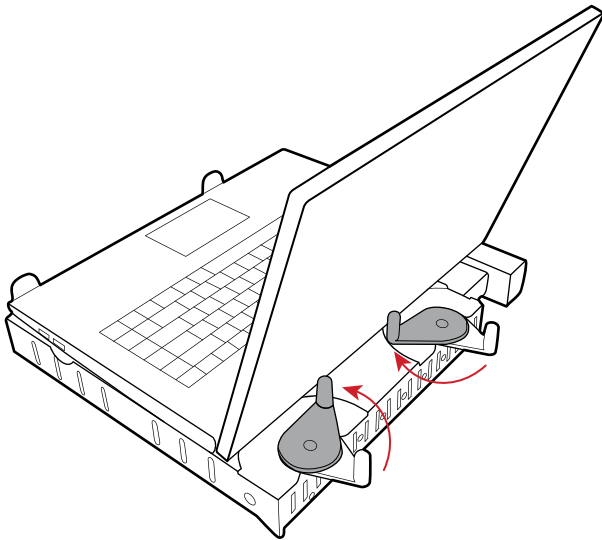
(x4) Screws
#10-24 x 3/4"



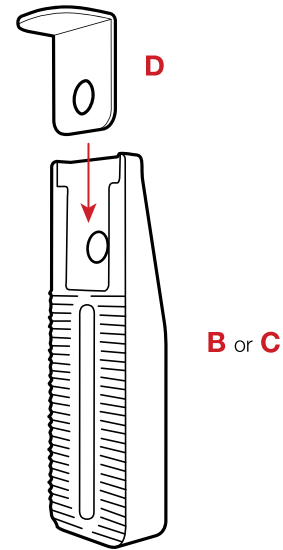
I

(x4) Nylock Nuts
#10-24

1 Place laptop on tray with lid open. Using a screwdriver, loosen and rotate the rear posts to seat properly against the back of your laptop.



2 Select **(B)** or **(C) Arms** depending on what is most appropriate for the thickness of your laptop. Slide **(D) Angled brackets** into selected arms until you hear a satisfying "click".



RMR-INS-2347

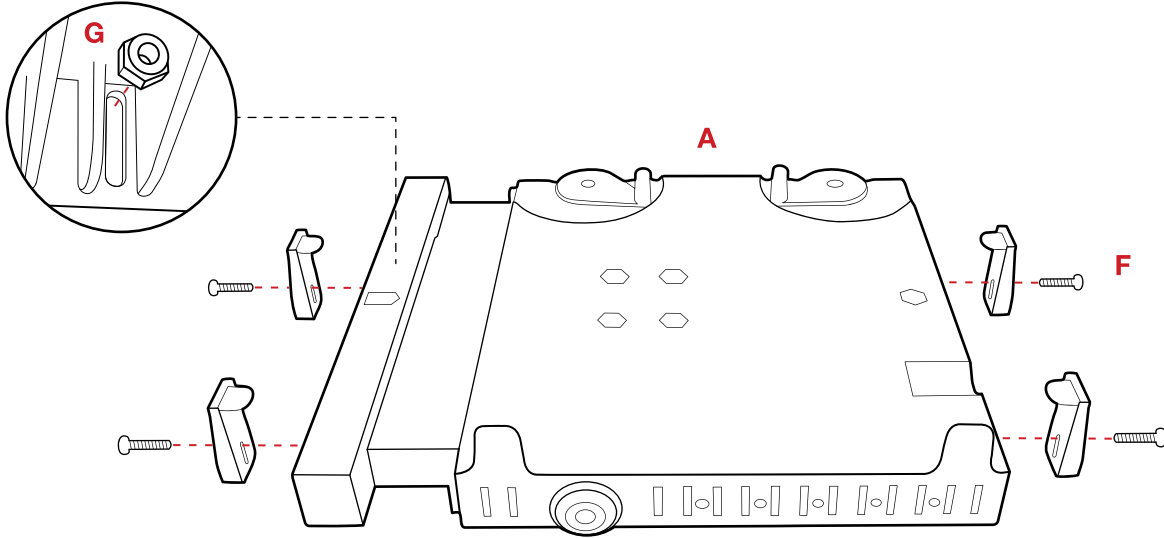


Safety Precaution

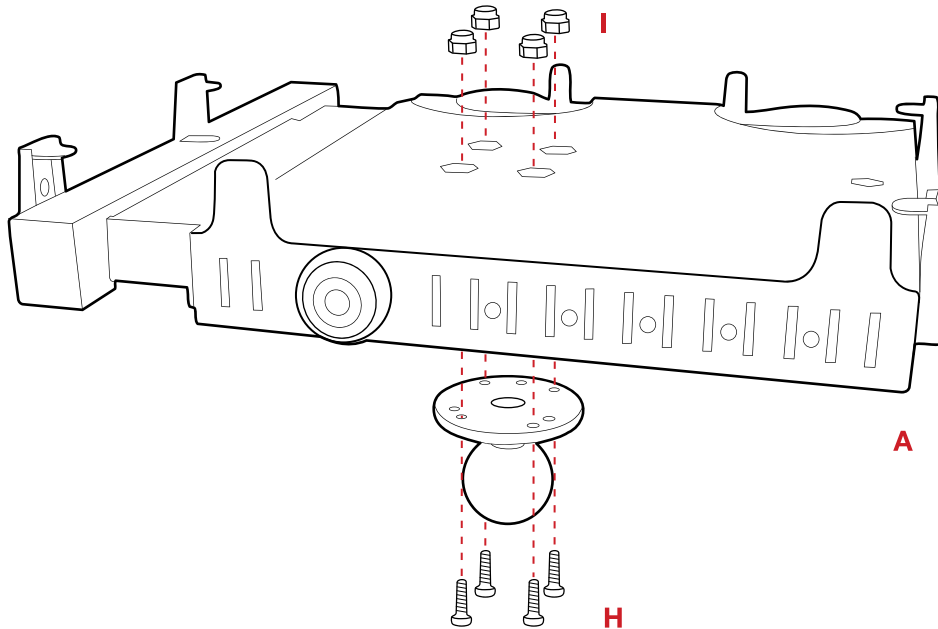
Do not install this product near or over an airbag deployment area or in a location that obstructs the driver's vision or interferes with vehicle operation. Electronic devices attached to this product are not to be used while vehicle is in motion. National Products, Inc. does not assume responsibility or liability for any such personal injury, death, or property damage.

- 3 Connect selected arms from Step 2 to the sides of the **(A) Tray** using **(F) Screws** and **(G) Nuts**. Select holes on the sides of the tray that will not block any necessary port or drive access.

Position the arms so that the **(D) Angled Brackets** rest flush against laptop keyboard.



- 4 Connect **(A) Tray** to ball (not included) using **(H) Screws** and **(I) Nuts**.



RMR-INS-2347

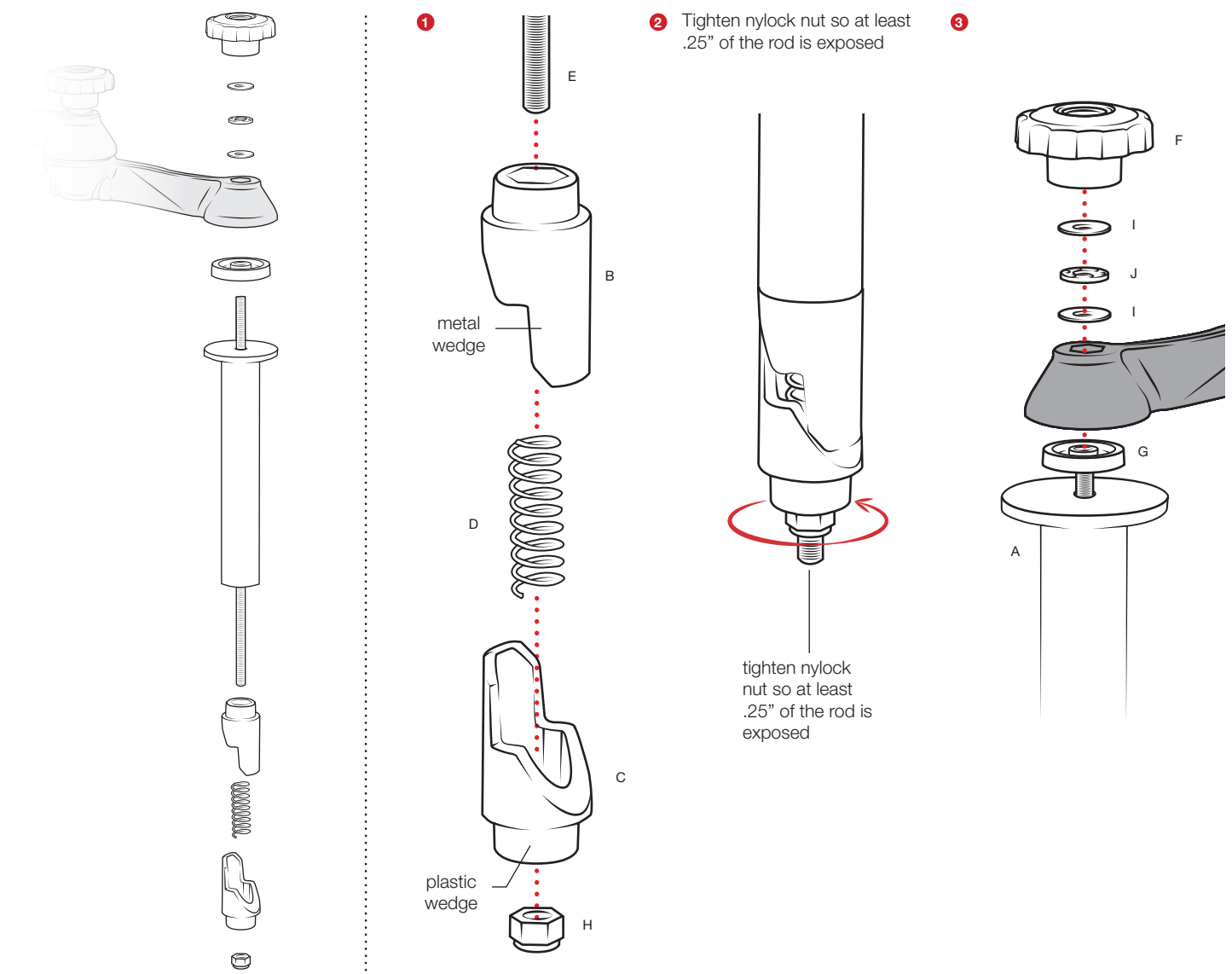
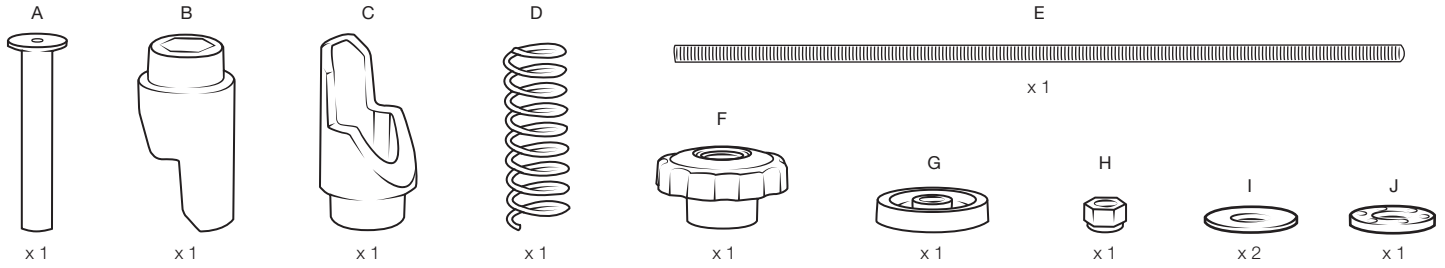


Safety Precaution

Do not install this product near or over an airbag deployment area or in a location that obstructs the driver's vision or interferes with vehicle operation. Electronic devices attached to this product are not to be used while vehicle is in motion. National Products, Inc. does not assume responsibility or liability for any such personal injury, death, or property damage.

Parts Index

Not to scale



Safety Precaution

Do not install this product near or over an airbag deployment area or in a location that obstructs the driver's vision or interferes with vehicle operation. National Products, Inc does not assume responsibility or liability for any such personal injury, death or property damage.

RMR-INS-VB-TP