

## Specifications

### Placement

Front seat, passenger side

### Seat Configuration

Bucket

### Drilling Required

None - uses existing seat bolts

### Construction/Finish

Black powder-coated steel

### Dimensions

A = 19.687" B = 7.25" C = 1"

Outside slot seat bolt distance: 17.75" center to center

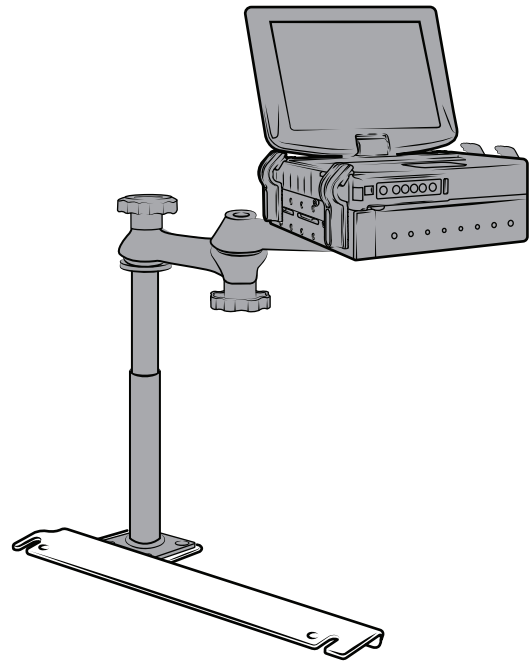
Inside hole seat bolt distance: 16" center to center

### Weight

6 pounds

### Pole or Pedestal

Order separately



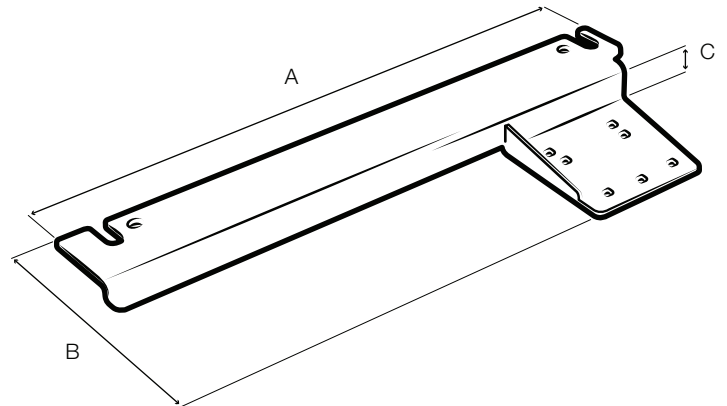
## Features

Installs in minutes with no drilling required

Minimal interference with passenger leg space

Rock-solid construction

Lifetime warranty



## Installation Instructions

- 1 Move the passenger seat back to its rearmost position and remove the front seat leg bolts.
- 2 Move the passenger seat to its most forward position and loosen the two rear seat leg bolts (do not remove).
- 3 Now, move the passenger side seat all the way back again and gently raise the front seat legs off the floor.
- 4 Place the RAM® No-Drill™ base between the seat frame legs and floor board.
- 5 Lower the seat down over the base, check alignment of the holes, and re-install the front seat bolts starting the thread by hand. Fully tighten and torque all 4 seat bolts previously loosened or removed.

RMR-INS-VB-148



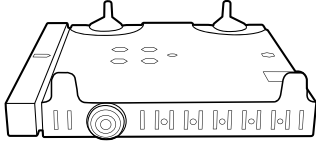
### Safety Precaution

Do not install this product near or over an airbag deployment area or in a location that obstructs the driver's vision or interferes with vehicle operation. National Products, Inc does not assume responsibility or liability for any such personal injury, death or property damage.

## Parts Index

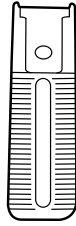
\* Not to scale

Patented & Pats. Pend.  
rammount.com/ip



**A**

Tray Assembly



**B**

(x4) Long Arms



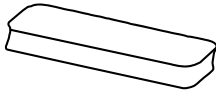
**C**

(x4) Short Arms



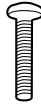
**D**

(x4) Angled Brackets



**E**

(x2) Foam Pads



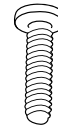
**F**

(x4) Screws  
#8-32 x 3/4"



**G**

(x4) Nylock Nuts  
#8-32



**H**

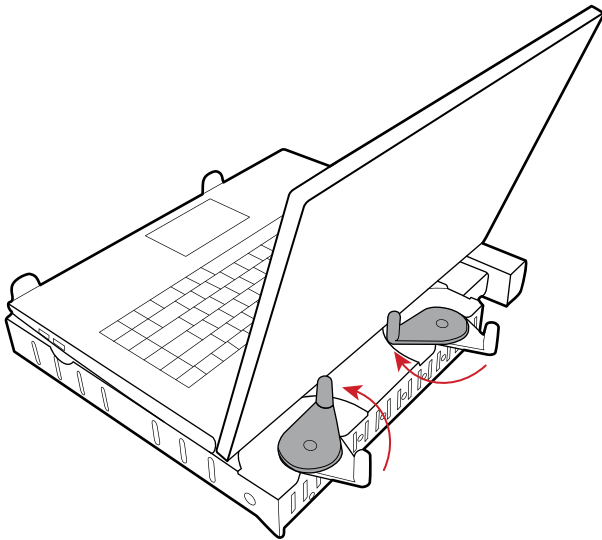
(x4) Screws  
#10-24 x 3/4"



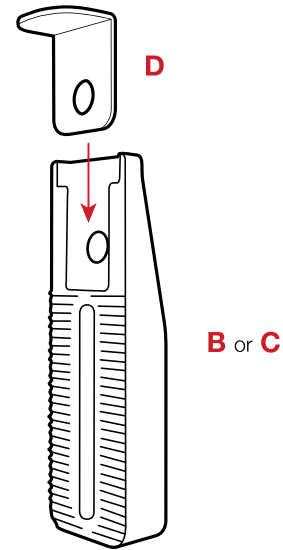
**I**

(x4) Nylock Nuts  
#10-24

**1** Place laptop on tray with lid open. Using a screwdriver, loosen and rotate the rear posts to seat properly against the back of your laptop.



**2** Select **(B)** or **(C) Arms** depending on what is most appropriate for the thickness of your laptop. Slide **(D) Angled brackets** into selected arms until you hear a satisfying "click".



RMR-INS-2347

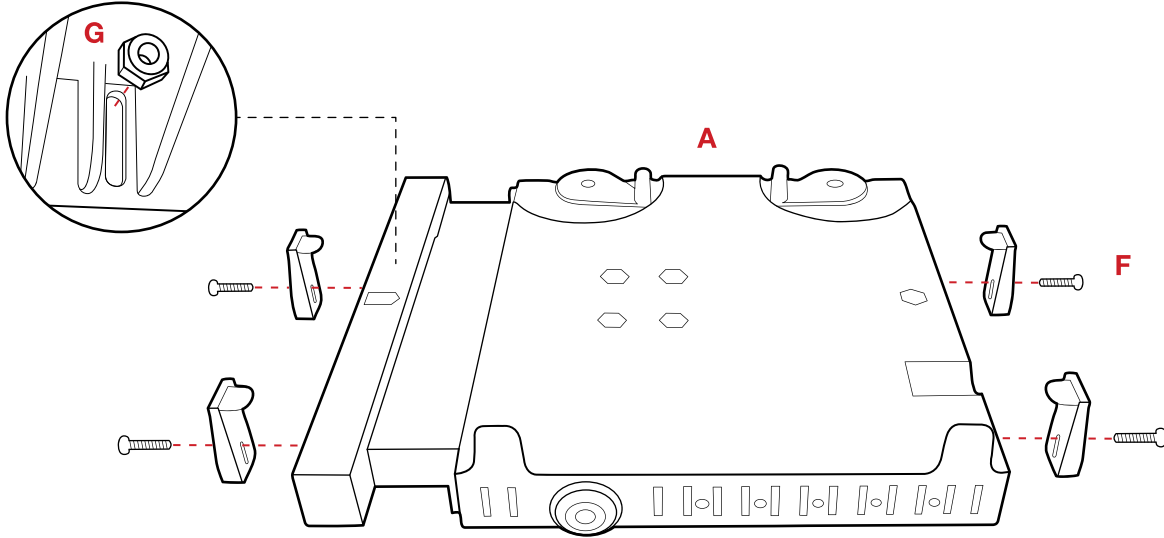


### Safety Precaution

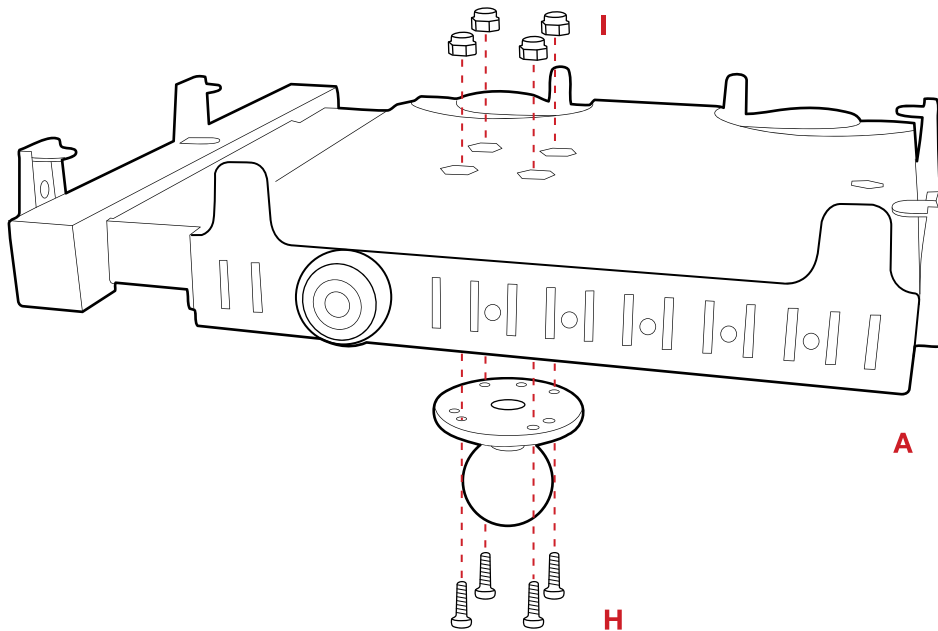
Do not install this product near or over an airbag deployment area or in a location that obstructs the driver's vision or interferes with vehicle operation. Electronic devices attached to this product are not to be used while vehicle is in motion. National Products, Inc. does not assume responsibility or liability for any such personal injury, death, or property damage.

- 3 Connect selected arms from Step 2 to the sides of the **(A) Tray** using **(F) Screws** and **(G) Nuts**. Select holes on the sides of the tray that will not block any necessary port or drive access.

Position the arms so that the **(D) Angled Brackets** rest flush against laptop keyboard.



- 4 Connect **(A) Tray** to ball (not included) using **(H) Screws** and **(I) Nuts**.



RMR-INS-2347

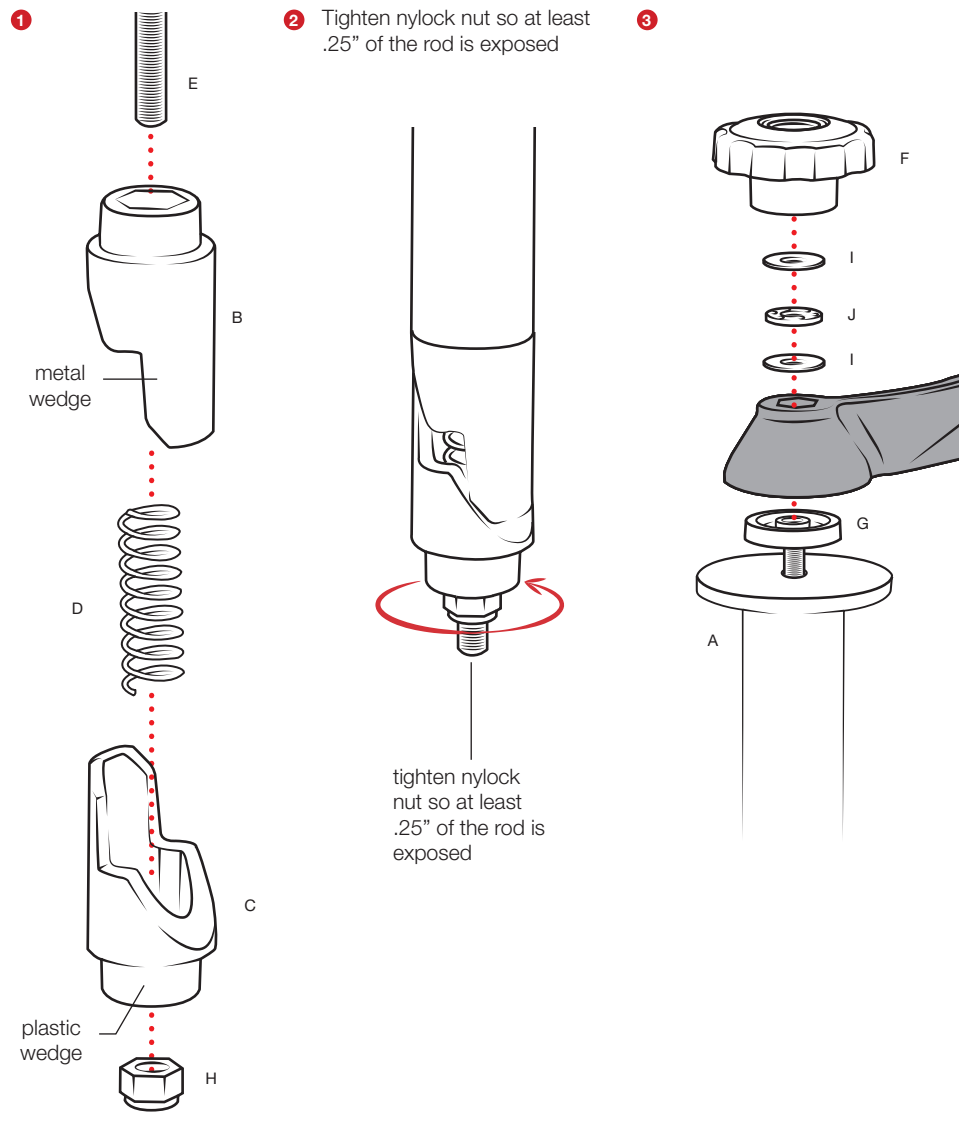
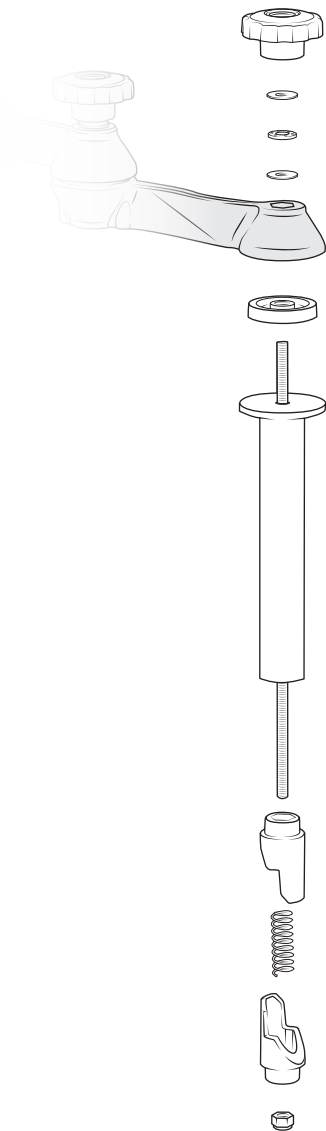
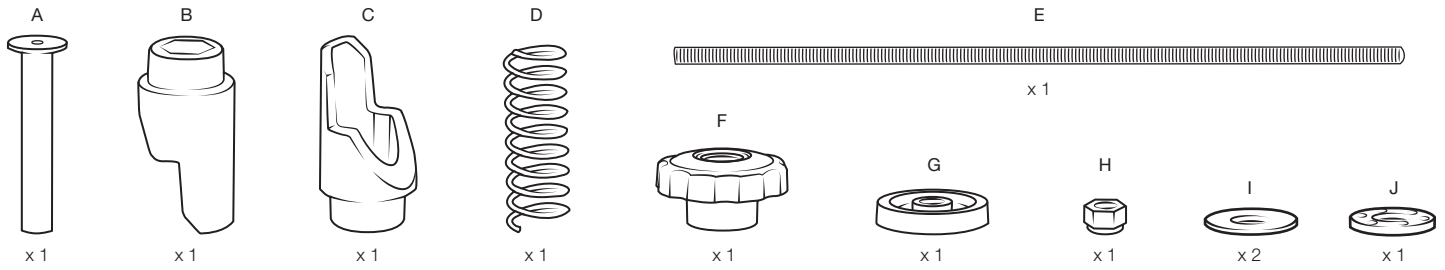


**Safety Precaution**

Do not install this product near or over an airbag deployment area or in a location that obstructs the driver's vision or interferes with vehicle operation. Electronic devices attached to this product are not to be used while vehicle is in motion. National Products, Inc. does not assume responsibility or liability for any such personal injury, death, or property damage.

## Parts Index

Not to scale



### Safety Precaution

Do not install this product near or over an airbag deployment area or in a location that obstructs the driver's vision or interferes with vehicle operation. National Products, Inc does not assume responsibility or liability for any such personal injury, death or property damage.

RMR-INS-VB-TP