

Specifications

Placement

Flat surface/floor

Seat Configuration

Bucket/Bench

Construction/Finish

Steel/Black powder coat

Dimensions

(A) 8" (B) 8" (C) 18.25"

Pole or Pedestal

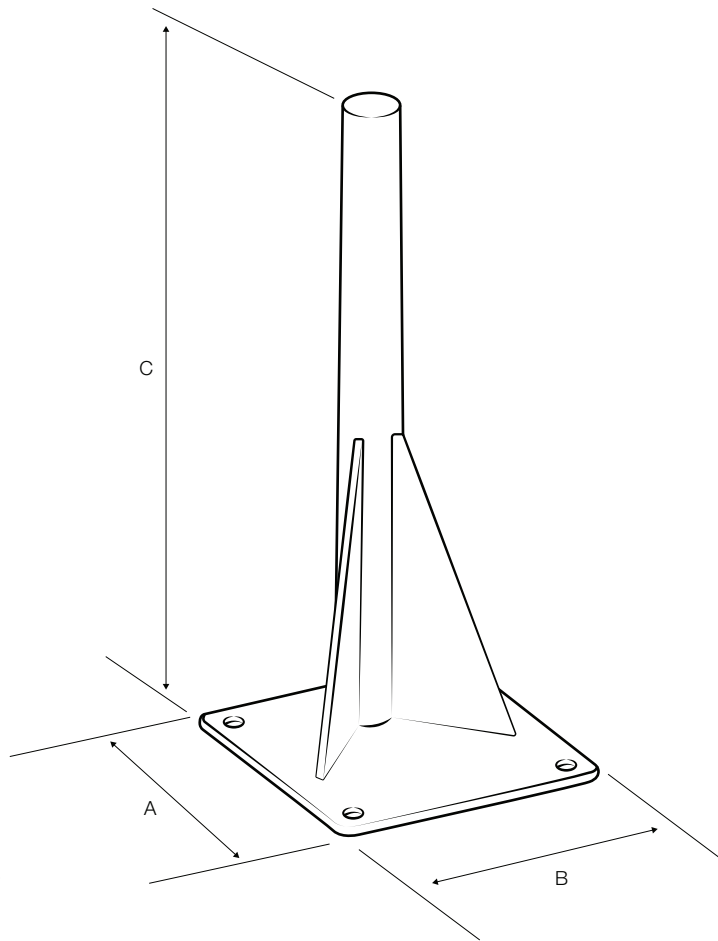
Included

Drilling Required

Yes

Weight

6.9 lbs.

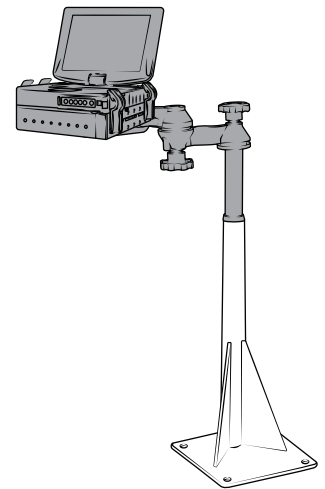


Features

Universal base for any vehicle with a flat mounting surface

Rugged steel construction

Lifetime warranty



Installation Instructions

Please read through the installation instructions entirely before beginning the installation of this product.

- 1 Place base on floor so that the pedestal is in the optimum location.
- 2 Mark the mounting hole locations. Please note that it might be necessary to shim a corner of the mounting base if the floor surface is uneven.
- 3 Drill 17/32" holes in the floor at all of the marked locations. Be extremely careful not to damage any equipment under the floor board of the vehicle when drilling.
- 4 Tighten base in place using bolts, washers, and nuts. If floor is less than 1/4" thick, please use fender washers on the underside to help distribute the weight.

RMR-INS-VBD-122



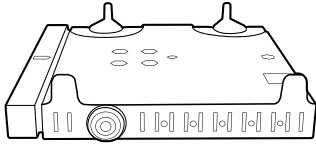
Safety Precaution

Do not install this product near or over an airbag deployment area or in a location that obstructs the driver's vision or interferes with vehicle operation. National Products, Inc does not assume responsibility or liability for any such personal injury, death or property damage.

Parts Index

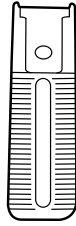
* Not to scale

Patented & Pats. Pend.
rammount.com/ip



A

Tray Assembly



B

(x4) Long Arms



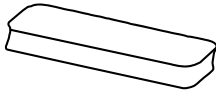
C

(x4) Short Arms



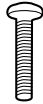
D

(x4) Angled Brackets



E

(x2) Foam Pads



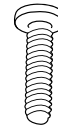
F

(x4) Screws
#8-32 x 3/4"



G

(x4) Nylock Nuts
#8-32



H

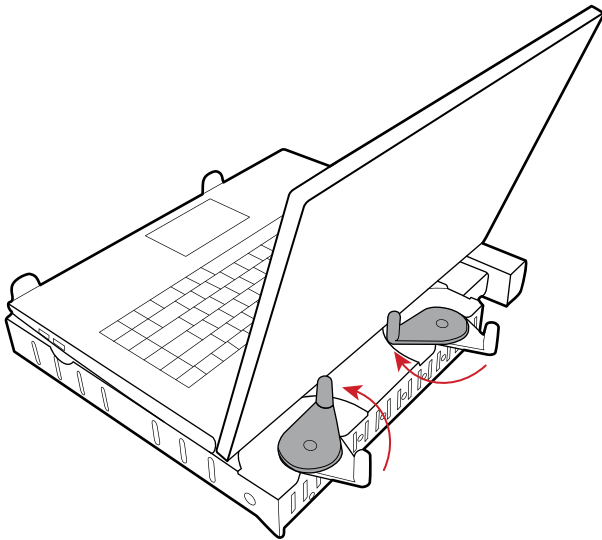
(x4) Screws
#10-24 x 3/4"



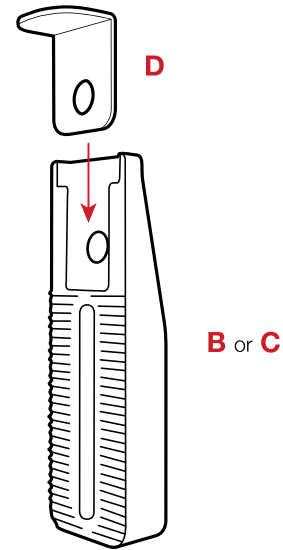
I

(x4) Nylock Nuts
#10-24

1 Place laptop on tray with lid open. Using a screwdriver, loosen and rotate the rear posts to seat properly against the back of your laptop.



2 Select **(B)** or **(C) Arms** depending on what is most appropriate for the thickness of your laptop. Slide **(D) Angled brackets** into selected arms until you hear a satisfying "click".



RMR-INS-2347

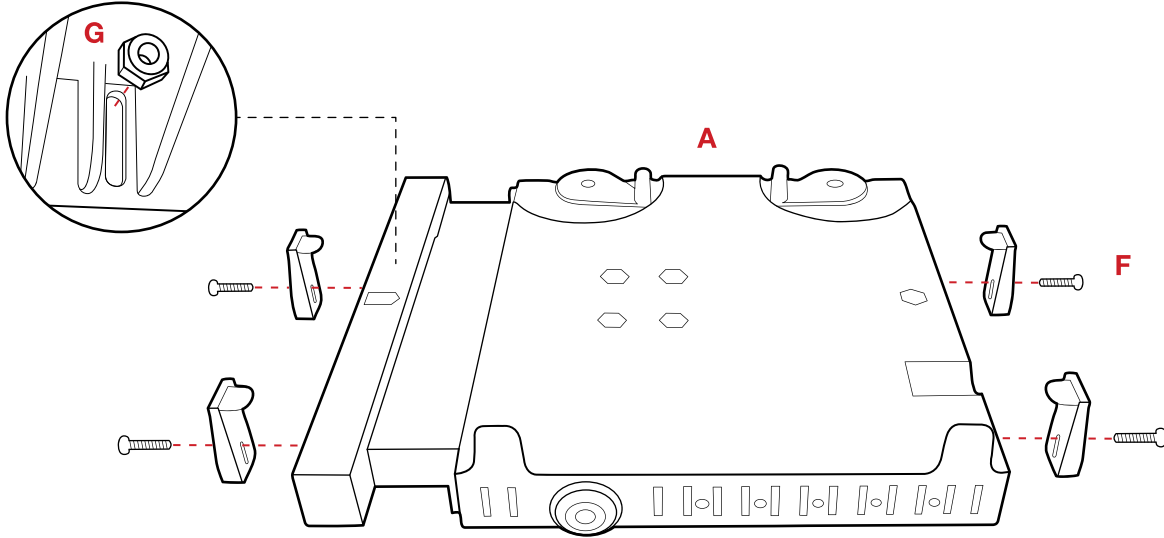


Safety Precaution

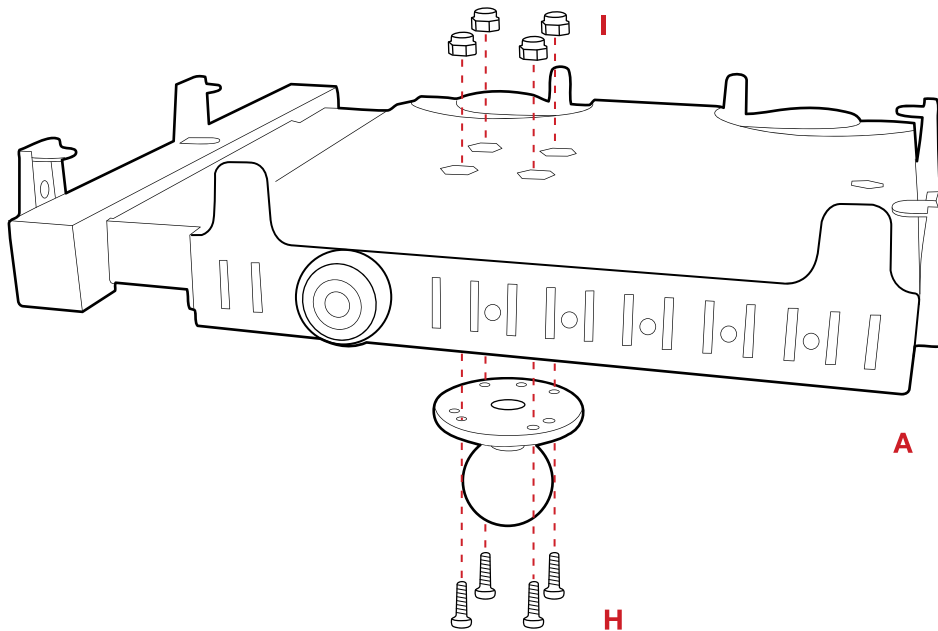
Do not install this product near or over an airbag deployment area or in a location that obstructs the driver's vision or interferes with vehicle operation. Electronic devices attached to this product are not to be used while vehicle is in motion. National Products, Inc. does not assume responsibility or liability for any such personal injury, death, or property damage.

- 3 Connect selected arms from Step 2 to the sides of the **(A) Tray** using **(F) Screws** and **(G) Nuts**. Select holes on the sides of the tray that will not block any necessary port or drive access.

Position the arms so that the **(D) Angled Brackets** rest flush against laptop keyboard.



- 4 Connect **(A) Tray** to ball (not included) using **(H) Screws** and **(I) Nuts**.



RMR-INS-2347

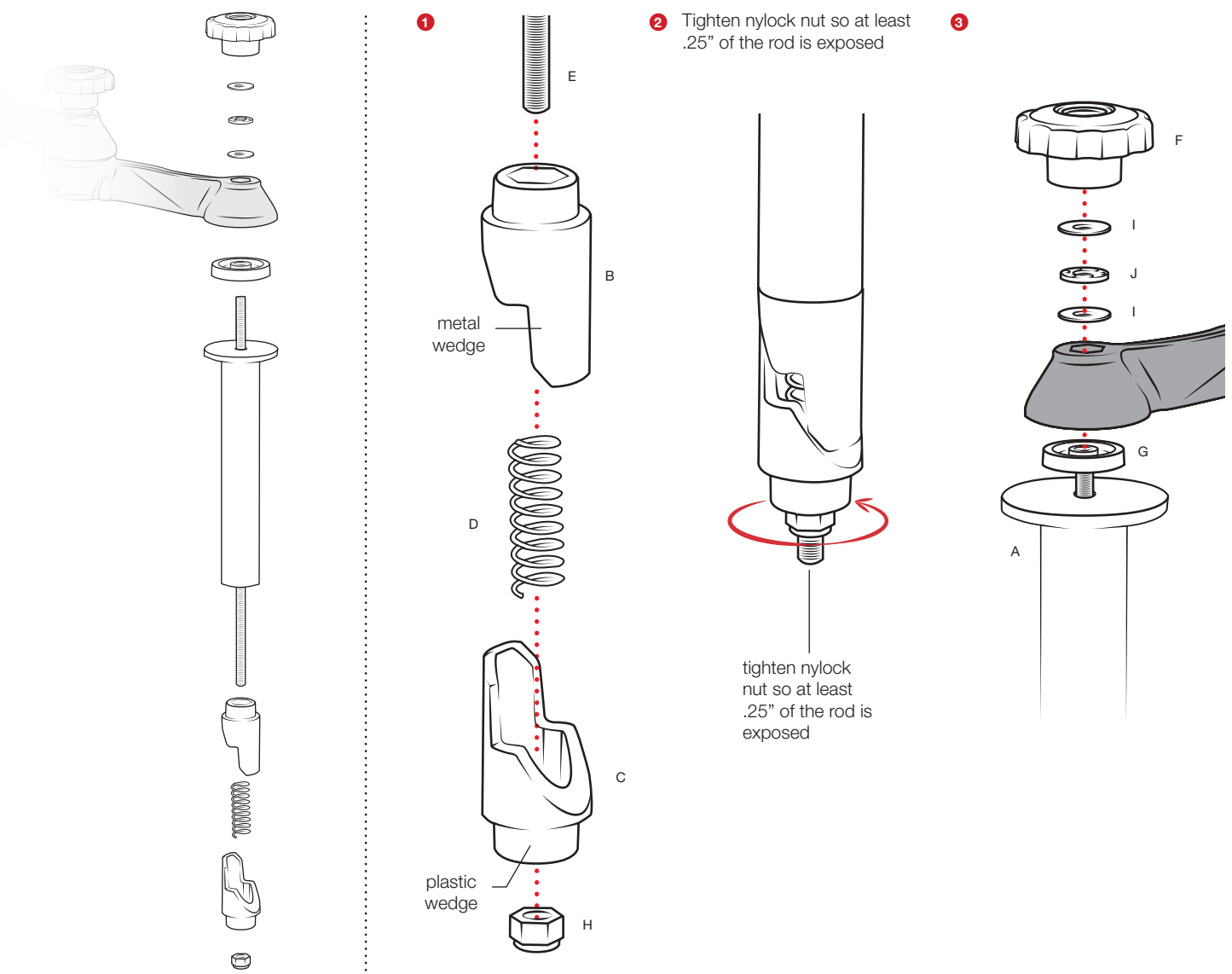
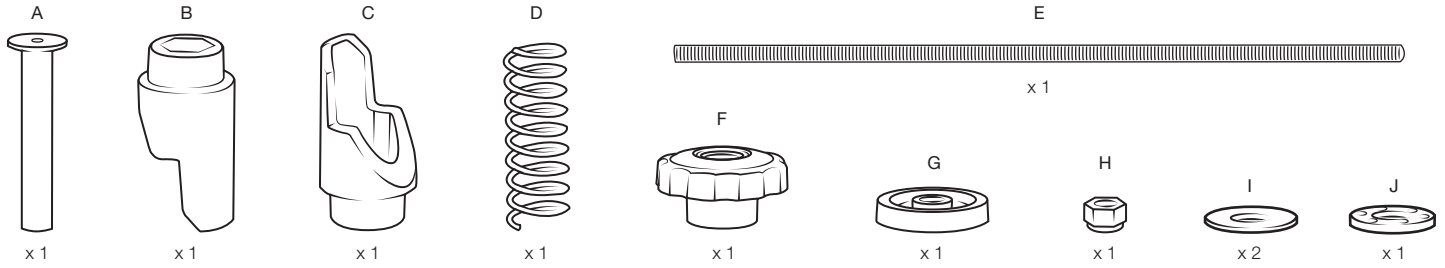


Safety Precaution

Do not install this product near or over an airbag deployment area or in a location that obstructs the driver's vision or interferes with vehicle operation. Electronic devices attached to this product are not to be used while vehicle is in motion. National Products, Inc. does not assume responsibility or liability for any such personal injury, death, or property damage.

Parts Index

Not to scale



Safety Precaution

Do not install this product near or over an airbag deployment area or in a location that obstructs the driver's vision or interferes with vehicle operation. National Products, Inc does not assume responsibility or liability for any such personal injury, death or property damage.

RMR-INS-VB-TP