

Specifications

Placement

Front seat, passenger side between seat track and seat frame or floor board

Seat Configuration

Bucket

Drilling Required

None - uses existing seat bolts

Construction/Finish

Black powder-coated steel

Dimensions

A = 19.375" B = 7.125"

Hole Centers = 16" – 16.5", 17" – 17.5"

Weight

4.9 lbs

Pole or Pedestal

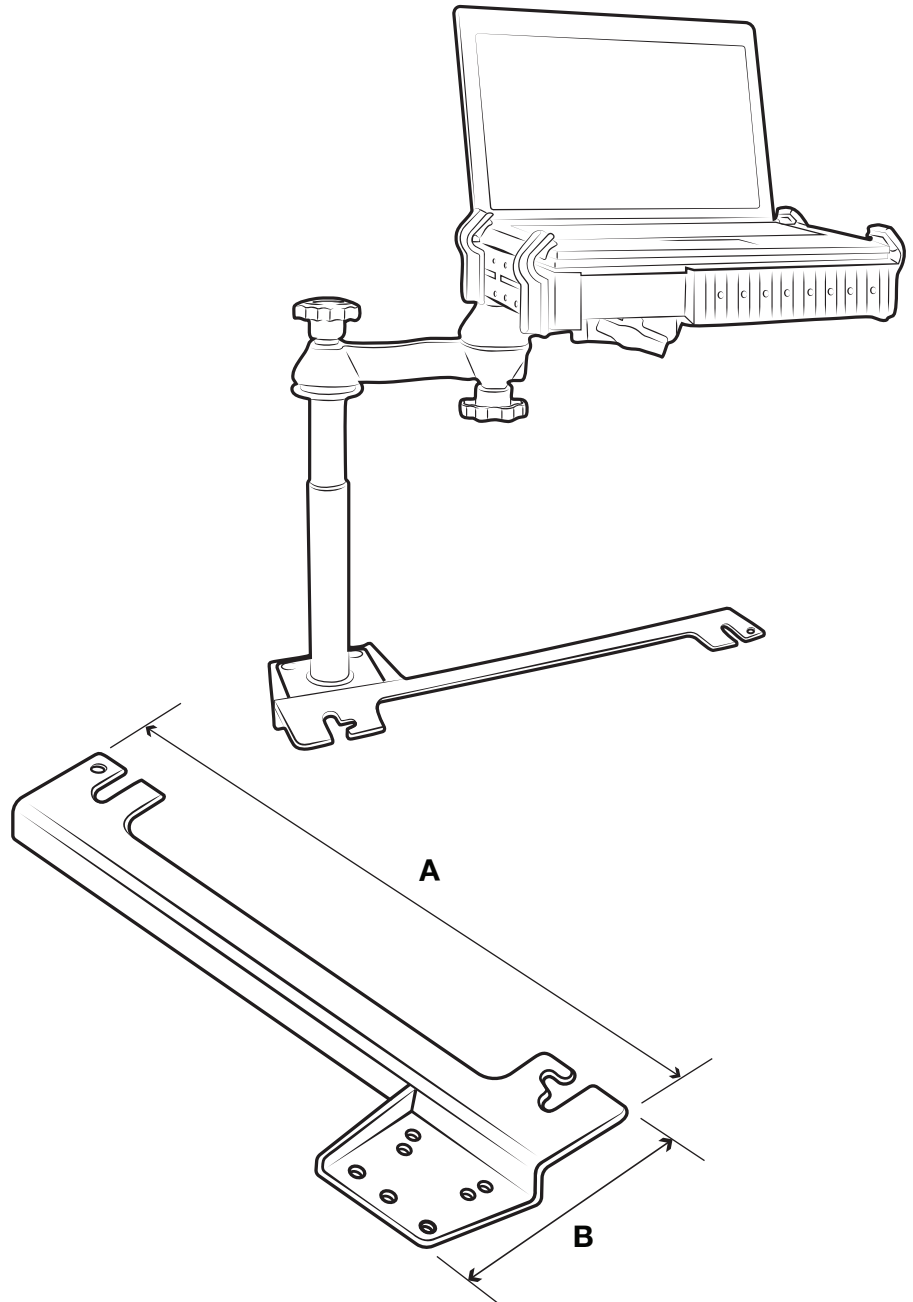
Order separately

Features

Installs in minutes with no drilling required

Minimal interference with passenger leg space

Lifetime warranty



Important Note

In select model year vehicles, the seat leg bolts may be tied to the air bag system. Tampering with these may result in disabling the air bag system causing a severe safety hazard. The installation of this product into these vehicles should only be done by a Dodge factory authorized technician or upfitter familiar with Police, Fire and Rescue vehicle and their fleet use.

This base is not compatible with tube frame seats. For this style of seating, see RAM-VB-184T.

RMR-INS-VB-129

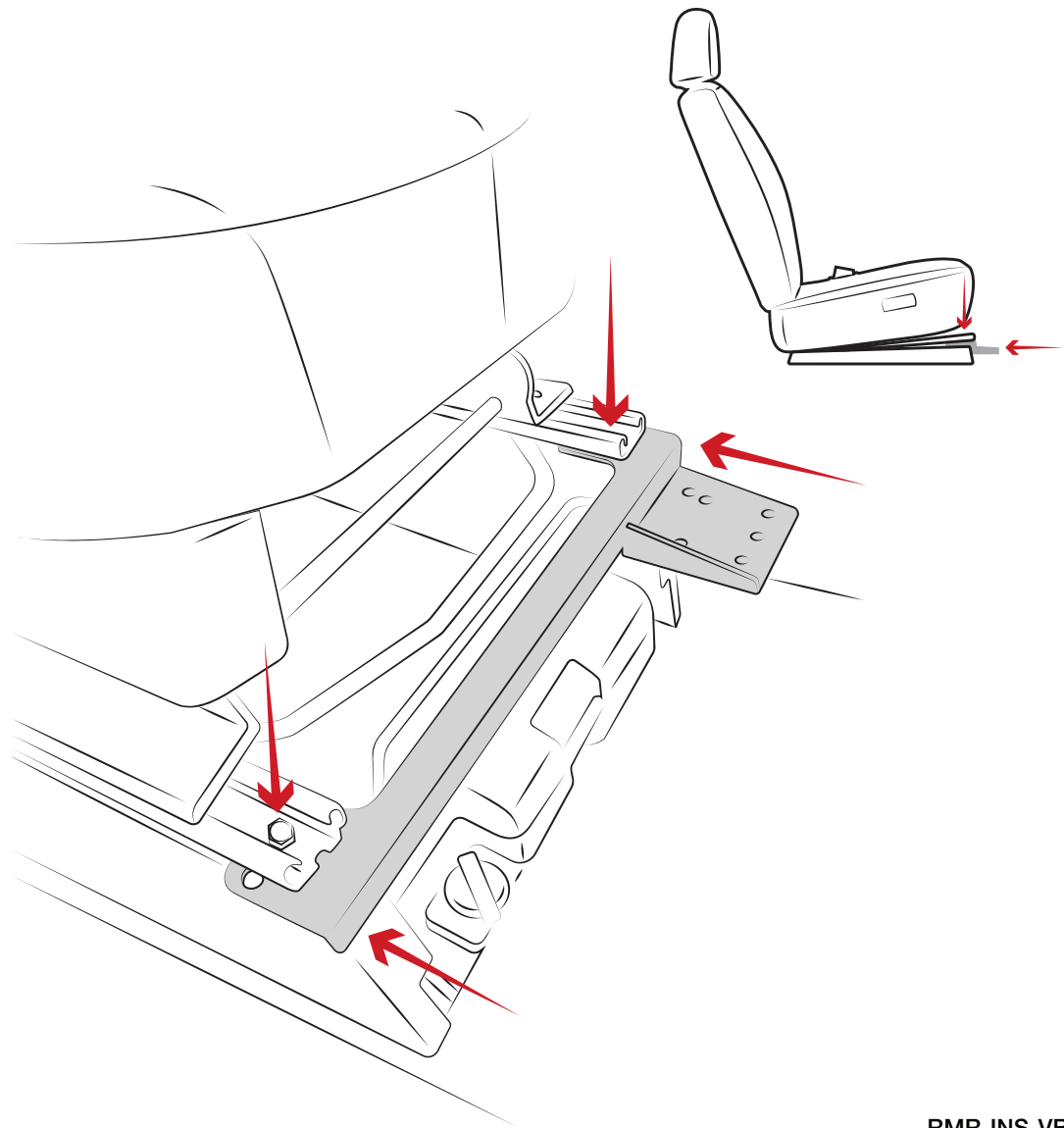


Safety Precaution

Do not install this product near or over an airbag deployment area or in a location that obstructs the driver's vision or interferes with vehicle operation. National Products, Inc does not assume responsibility or liability for any such personal injury, death or property damage.

Installation Instructions

- 1 Loosen the seat leg bolts on the passenger side that hold the seat to the floor pan or seat frame box. These are located at the front center of the seat tracks. It is not always necessary to remove these. For select models where necessary, use the longer seat leg bolts provided. Otherwise loosen the bolts enough to clear the No-Drill™ Base.
- 2 Once the bolts are loose, gently lift the front of the seat to create enough space for the base to fit between the seat frame legs and floor board / seat box.
- 3 Align the slots with the seat leg bolts and slide into place.
- 4 Once the base is in position, fully tighten the seat leg bolts with 18 ft/lbs of torque to secure the No-Drill™ Base in place (37ft lbs of torque recommended for Ram Promaster & Promaster City).



RMR-INS-VB-129



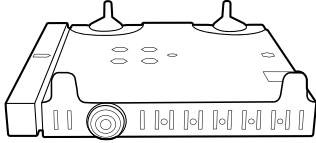
Safety Precaution

Do not install this product near or over an airbag deployment area or in a location that obstructs the driver's vision or interferes with vehicle operation. National Products, Inc does not assume responsibility or liability for any such personal injury, death or property damage.

Parts Index

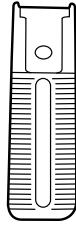
* Not to scale

Patented & Pats. Pend.
rammount.com/ip



A

Tray Assembly



B

(x4) Long Arms



C

(x4) Short Arms



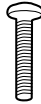
D

(x4) Angled Brackets



E

(x2) Foam Pads



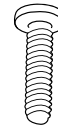
F

(x4) Screws
#8-32 x 3/4"



G

(x4) Nylock Nuts
#8-32



H

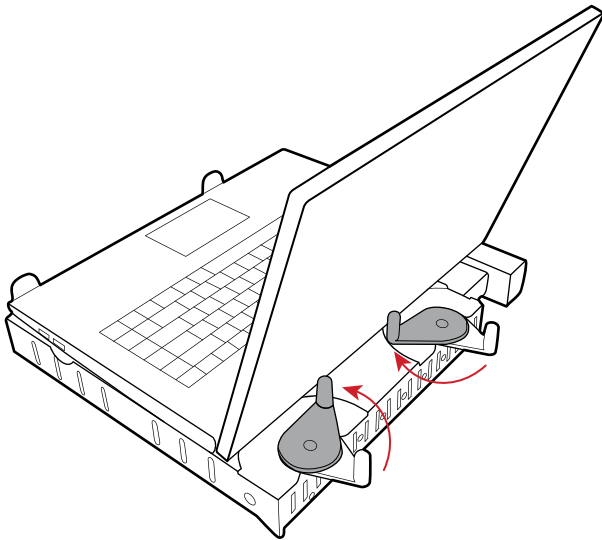
(x4) Screws
#10-24 x 3/4"



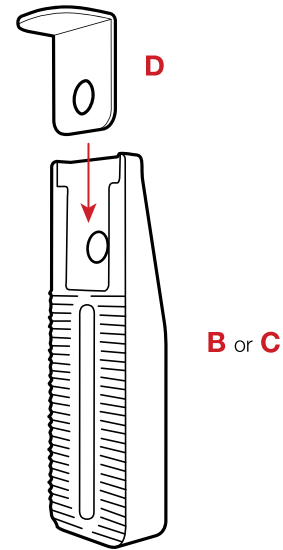
I

(x4) Nylock Nuts
#10-24

1 Place laptop on tray with lid open. Using a screwdriver, loosen and rotate the rear posts to seat properly against the back of your laptop.



2 Select **(B)** or **(C) Arms** depending on what is most appropriate for the thickness of your laptop. Slide **(D) Angled brackets** into selected arms until you hear a satisfying "click".



RMR-INS-2347

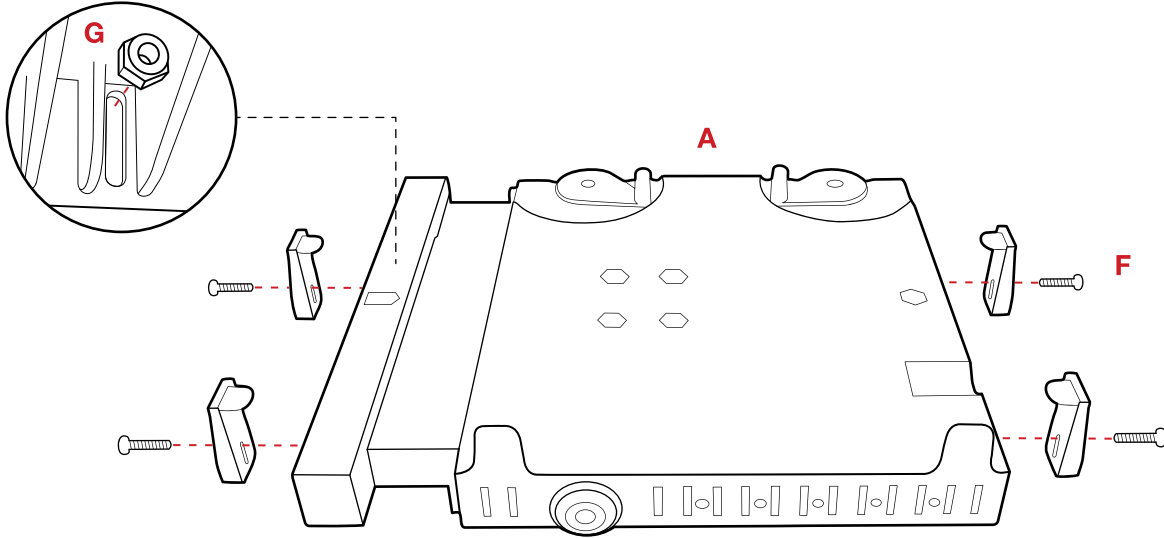


Safety Precaution

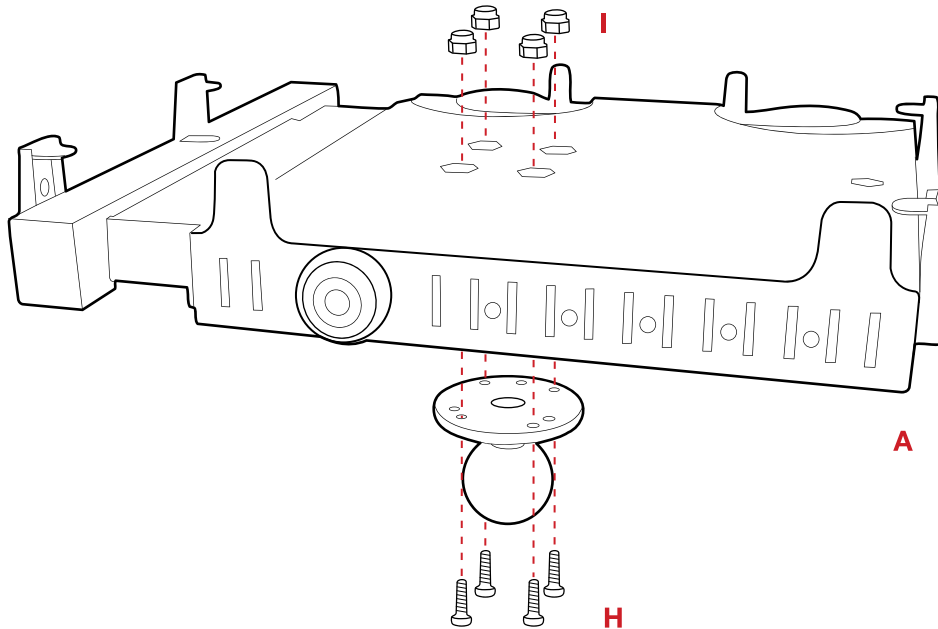
Do not install this product near or over an airbag deployment area or in a location that obstructs the driver's vision or interferes with vehicle operation. Electronic devices attached to this product are not to be used while vehicle is in motion. National Products, Inc. does not assume responsibility or liability for any such personal injury, death, or property damage.

- 3 Connect selected arms from Step 2 to the sides of the **(A) Tray** using **(F) Screws** and **(G) Nuts**. Select holes on the sides of the tray that will not block any necessary port or drive access.

Position the arms so that the **(D) Angled Brackets** rest flush against laptop keyboard.



- 4 Connect **(A) Tray** to ball (not included) using **(H) Screws** and **(I) Nuts**.



RMR-INS-2347

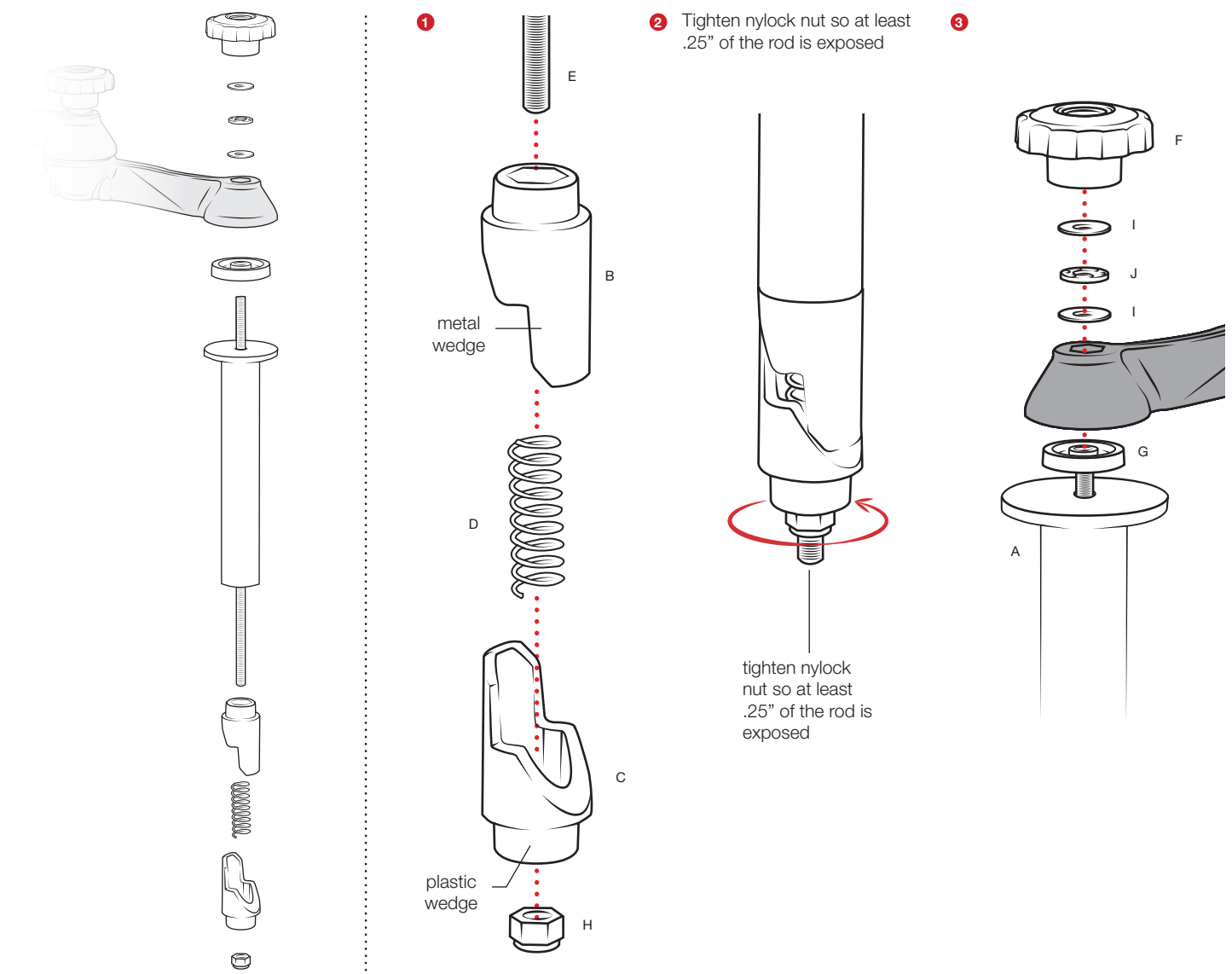
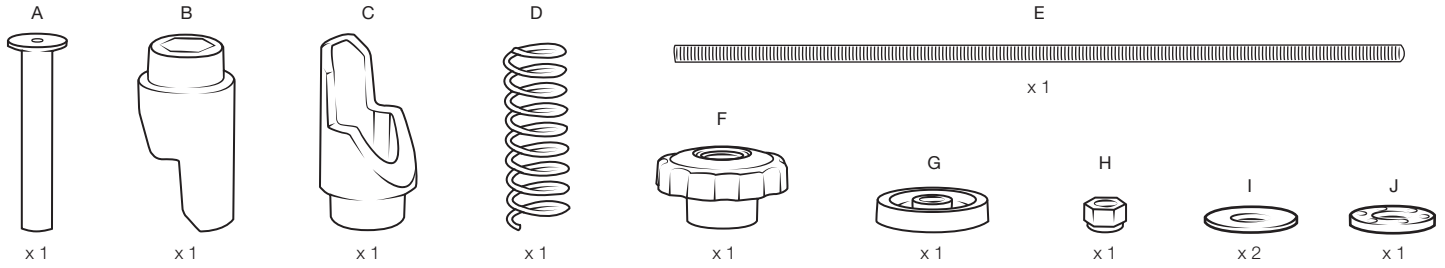


Safety Precaution

Do not install this product near or over an airbag deployment area or in a location that obstructs the driver's vision or interferes with vehicle operation. Electronic devices attached to this product are not to be used while vehicle is in motion. National Products, Inc. does not assume responsibility or liability for any such personal injury, death, or property damage.

Parts Index

Not to scale



Safety Precaution

Do not install this product near or over an airbag deployment area or in a location that obstructs the driver's vision or interferes with vehicle operation. National Products, Inc does not assume responsibility or liability for any such personal injury, death or property damage.

RMR-INS-VB-TP