

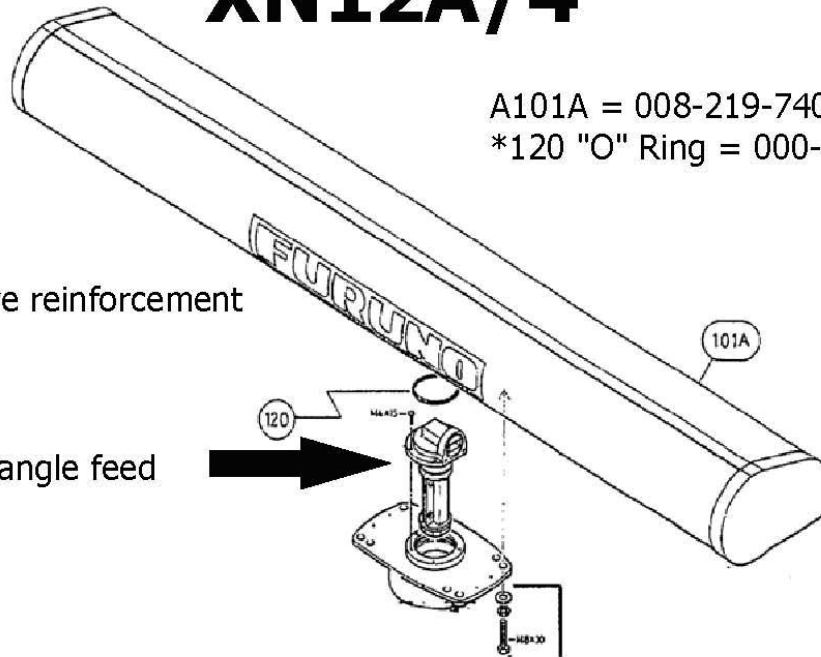
XN12A/4

A101A = 008-219-740

*120 "O" Ring = 000-851-313 (x1)

Later models have reinforcement
@ mounting pad

Note: Right angle feed



*Hardware

000-862-187 = Hex bolt M8 x 30 (x4)

000-864-262 = Spring washer M8 (x4)

000-864-130 = Flat washer M8 (x4)

000-158-483 = Silicone Adhesive (x1)

*Entire kit of installation materials (minus antenna) is 008-225-130