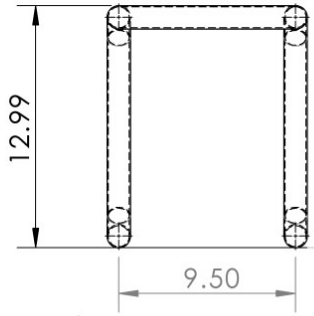
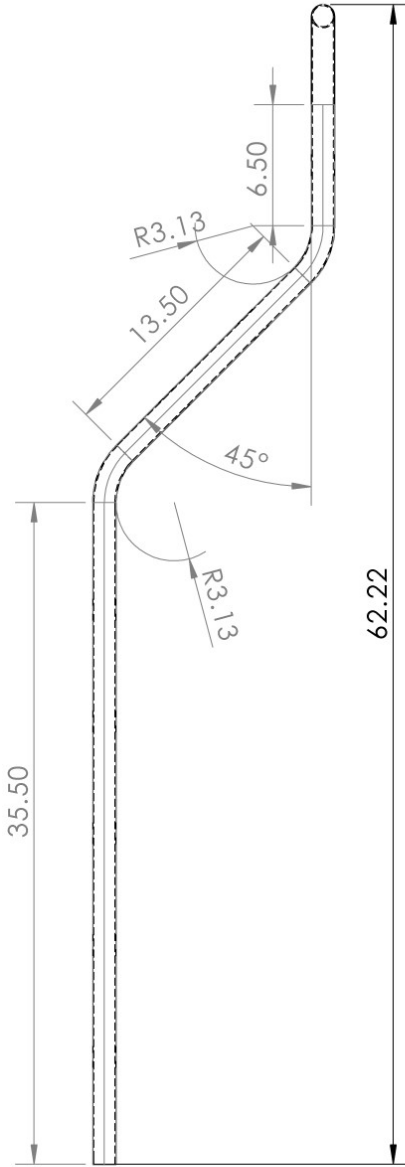
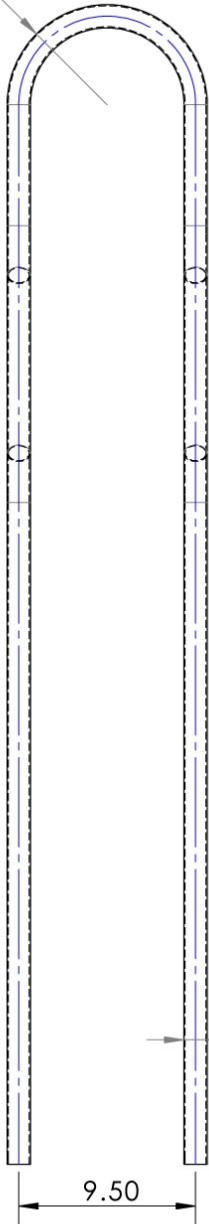


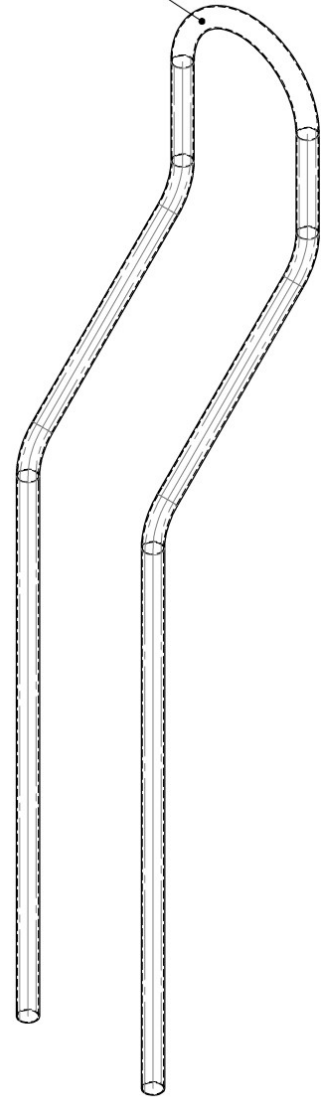
for one InstrumentPod and a GP1030/GP1060/GP1920 SailPod below



R5.38



AG126



PROPRIETARY AND CONFIDENTIAL

	UNLESS OTHERWISE SPECIFIED:	NAME	DATE
	DIMENSIONS ARE IN INCHES	DRAWN	MDJ 4/2/2018
	TOLERANCES:	CHECKED	
	FRACTIONAL $\pm 1/8$ "	ENG APPR.	
	ANGULAR: MACH $\pm .5^\circ$ BEND $\pm .5^\circ$	MFG APPR.	
	TWO PLACE DECIMAL $\pm 0.13$	Q.A.	
	THREE PLACE DECIMAL $\pm 0.125$	COMMENTS:	
	INTERPRET GEOMETRIC TOLERANCING PER:		

OCEAN EQUIPMENT

TITLE: