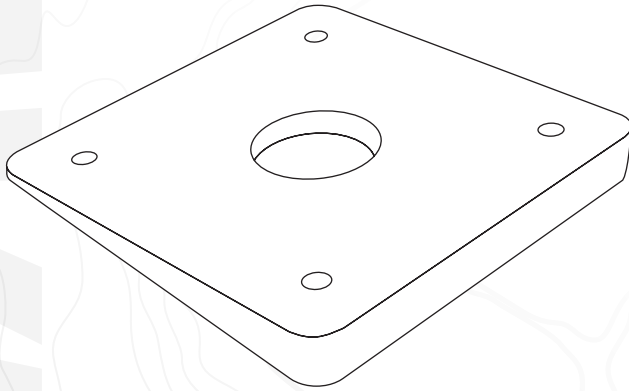


SEAVIEW

ELEVATE YOUR ELECTRONICS



INSTALLATION INSTRUCTIONS

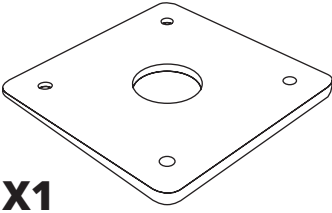
For Seaview Base Wedges:

**PM-W2-7, PM-W4-7, PM-W6-7
PM-W4-8, PM-W6-8, PM-W4-10**

Refer to website for most up to
date instructions and videos.

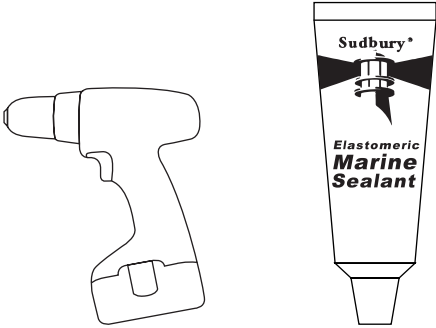
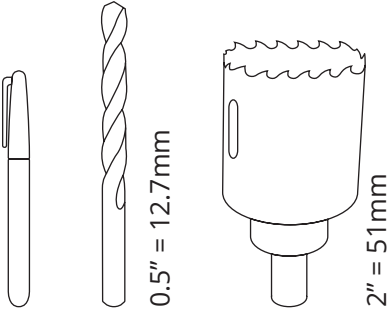
WWW.SEAVIEWGLOBAL.COM

PARTS INCLUDED



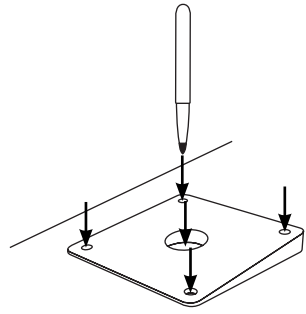
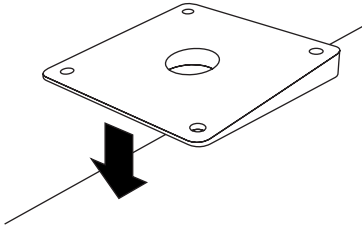
X1

TOOLS NEEDED

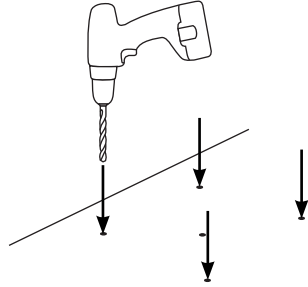


Sudbury Elastomeric Marine Sealant is recommended. To purchase call 800-655-7922 or visit www.seaviewglobal.com

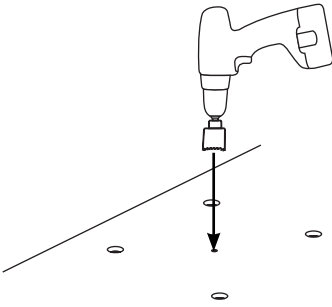
1 Place the wedge onto the mounting surface and mark all the holes.



2 Drill the four holes.

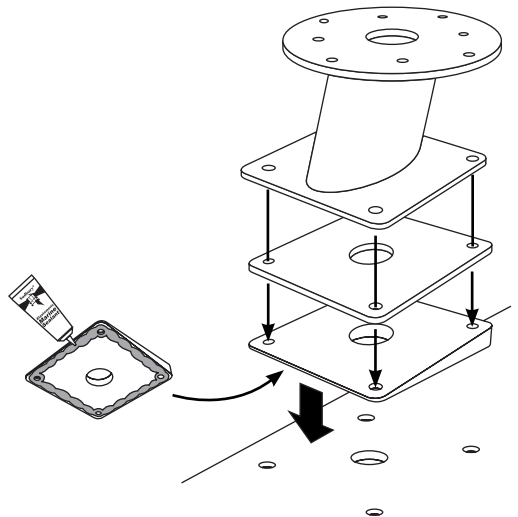


3 Drill a hole for the center cable.



4 Apply marine adhesive sealant to the underside of the wedge.

Then place the foam gasket and mount on top of the wedge as shown below.



The background of the entire page is a light gray topographic map with white contour lines. The lines are irregular and wavy, representing elevation changes across a landscape. The map is centered and covers the entire area.

SEAVIEW///
ELEVATE YOUR ELECTRONICS

SEAVIEW///

Tel: 800-655-7922
www.seaviewglobal.com

EUROPEAN OFFICE

Tel: +33 4 94 53 27 70
www.seaviewprogress.com

2-072618