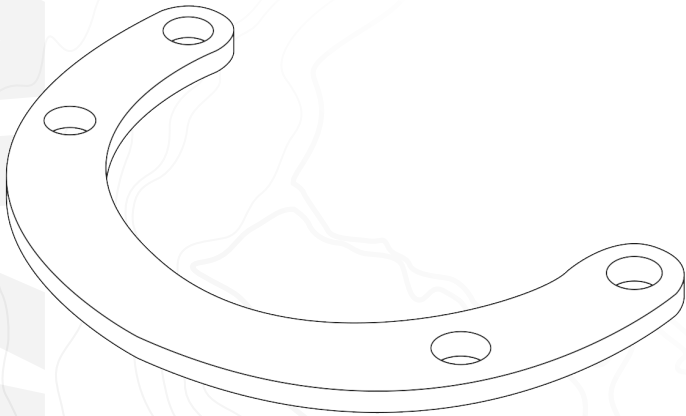


SEAVIEW///



INSTALLATION INSTRUCTIONS

For Seaview Isomat Adapter:

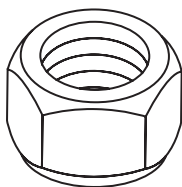
SM-AD-ISO

Refer to website for most up to
date instructions and videos.

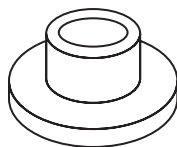
WWW.SEAVIEWGLOBAL.COM



x4
M10 S.S. Washer



x2
3/8" Nyloc Nut

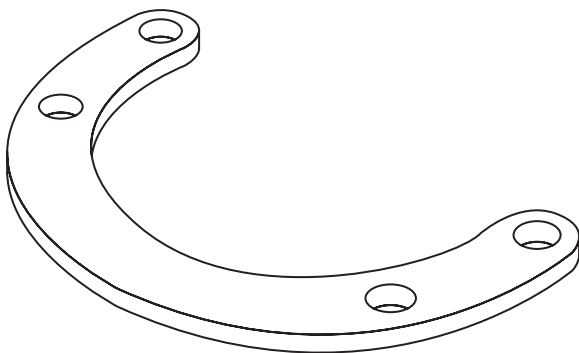


x8
3/8" Shoulder
Bushing

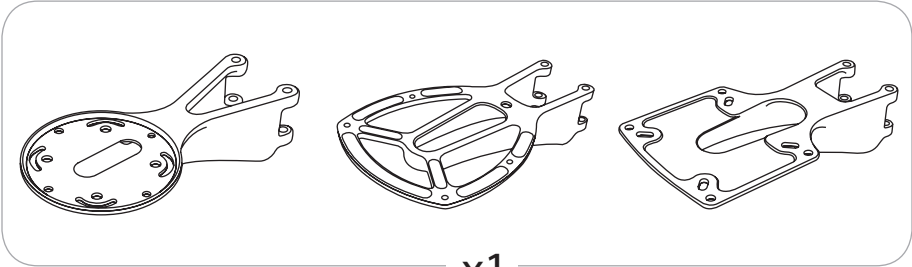


x2

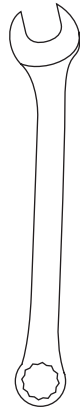
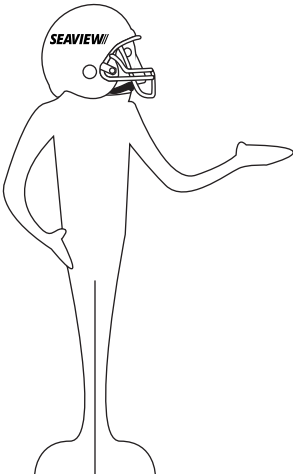
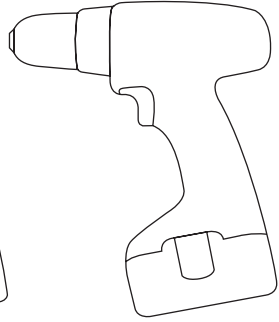
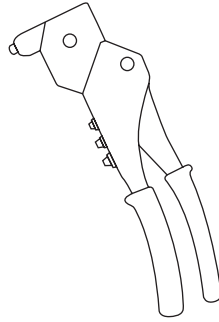
3/8" x 5"



x2
SM-AD-ISO



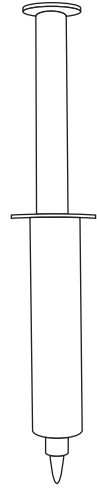
x1



5/16" = 8mm

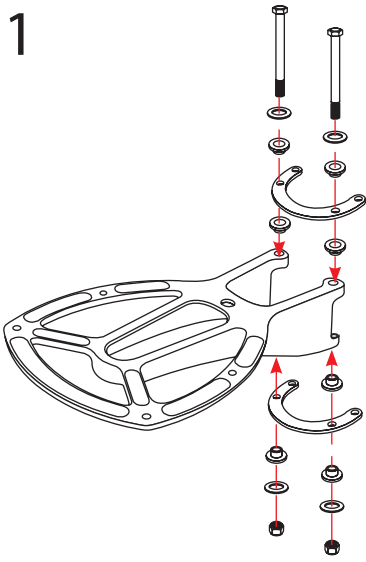


3/16" = 4.7mm

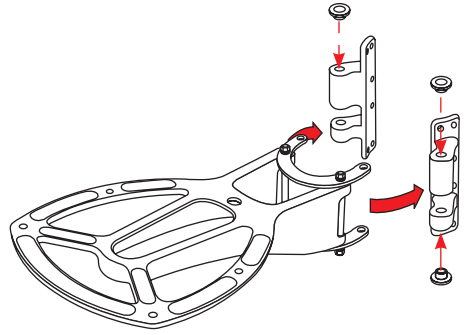


Tef-Gel or equivalent

1

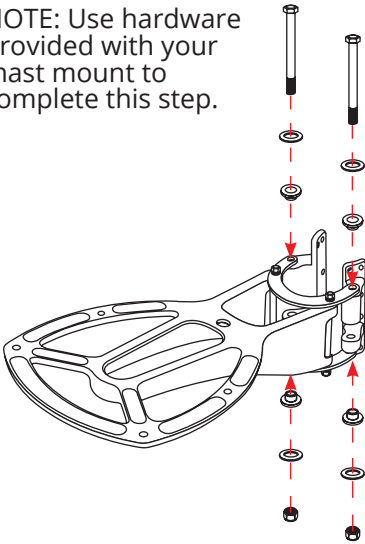


2

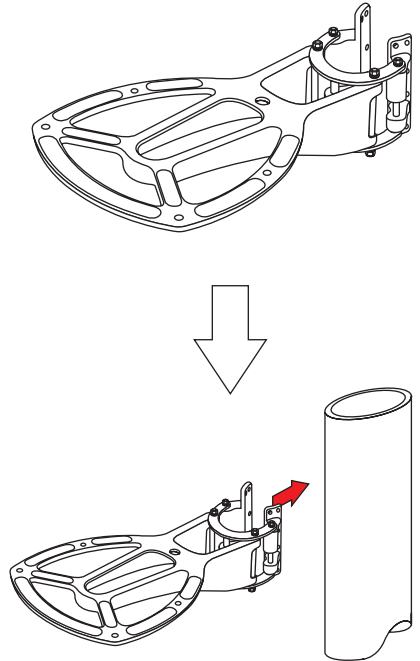


3

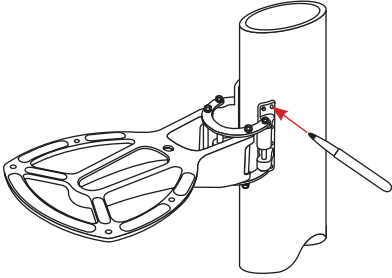
NOTE: Use hardware provided with your mast mount to complete this step.



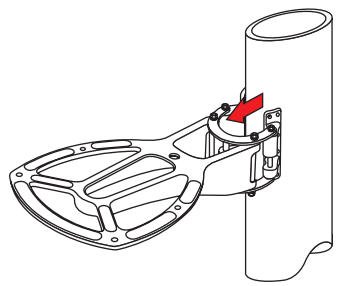
4



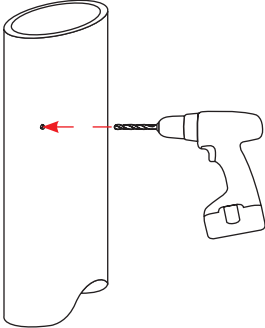
5



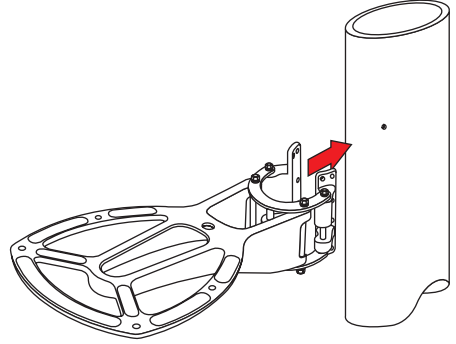
6



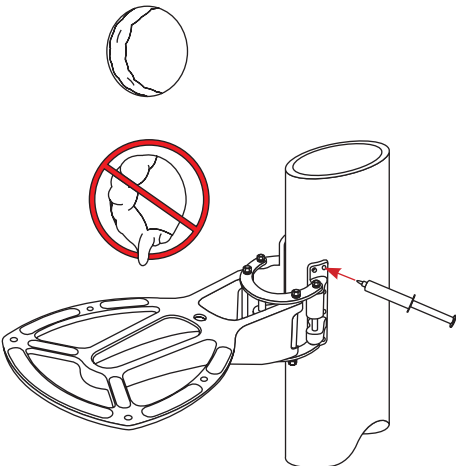
7



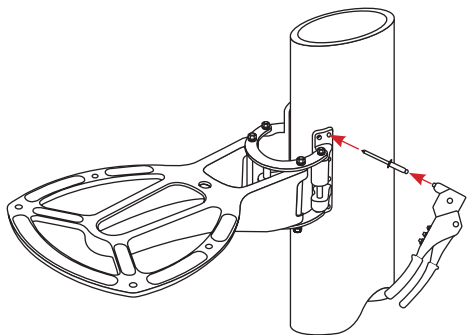
8



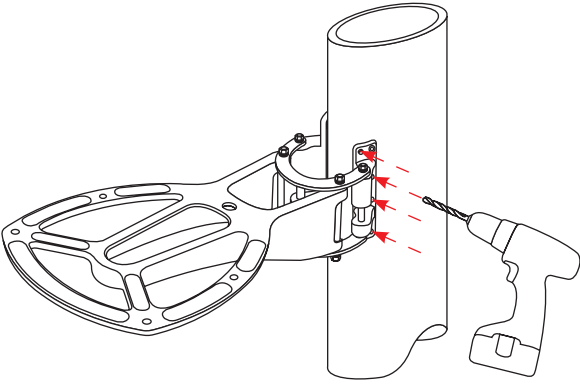
9



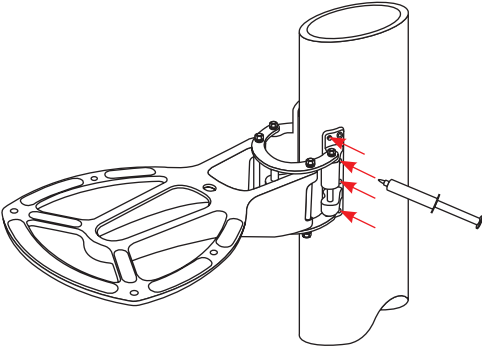
10



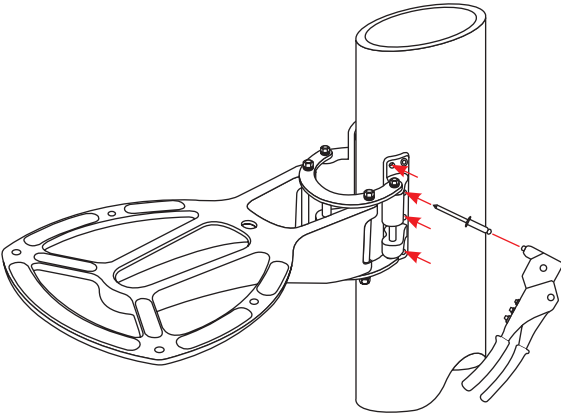
11



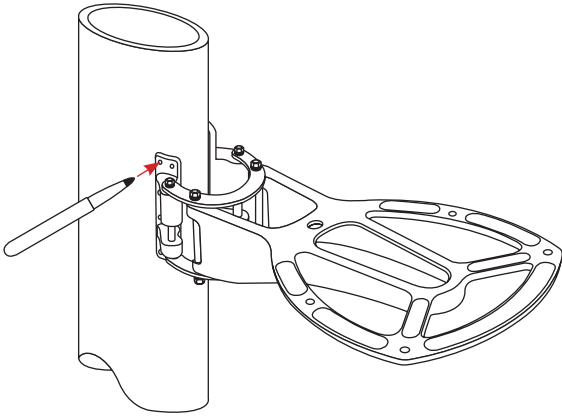
12



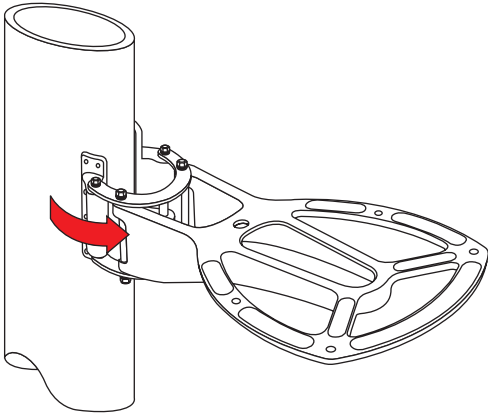
13



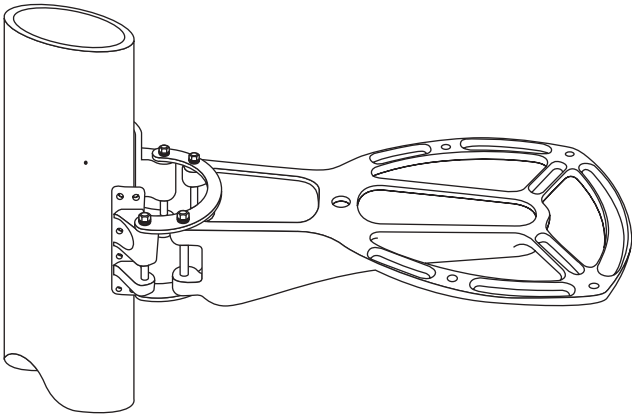
14



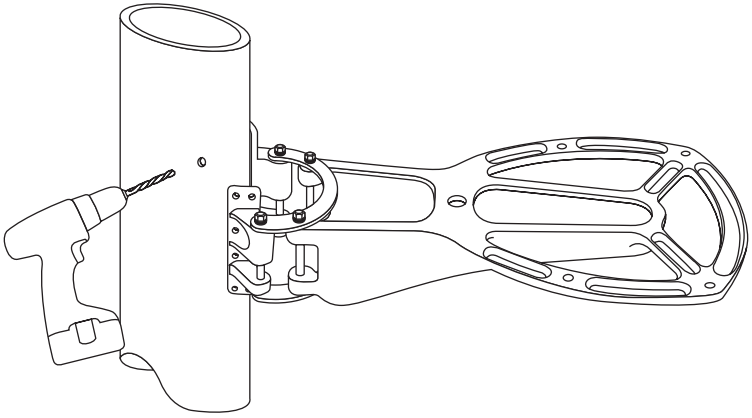
15



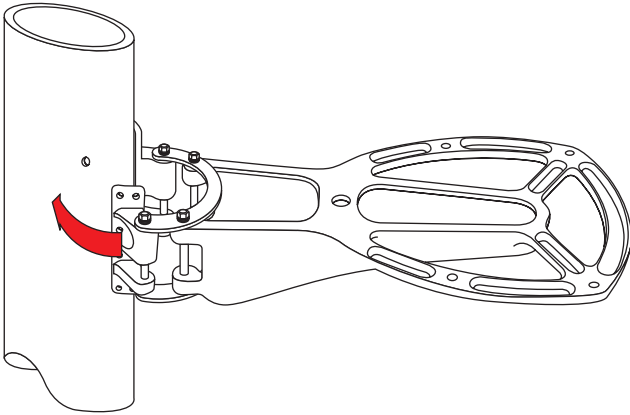
16



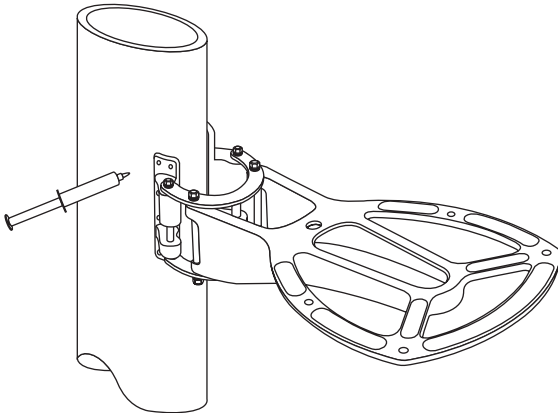
17



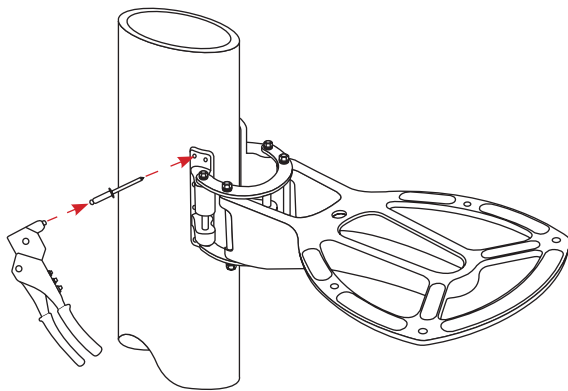
18



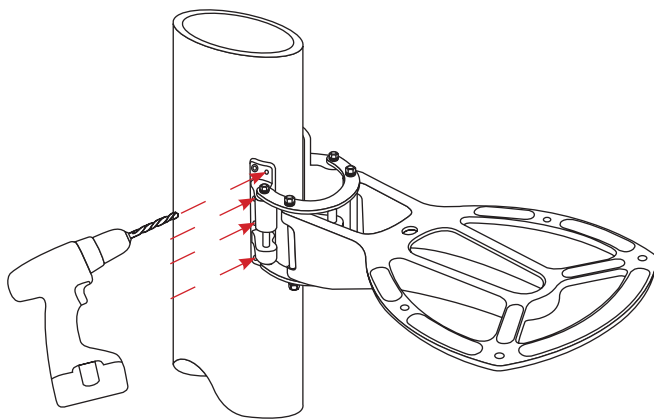
19



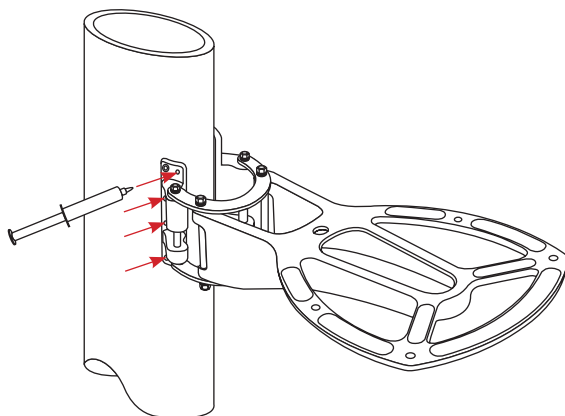
20



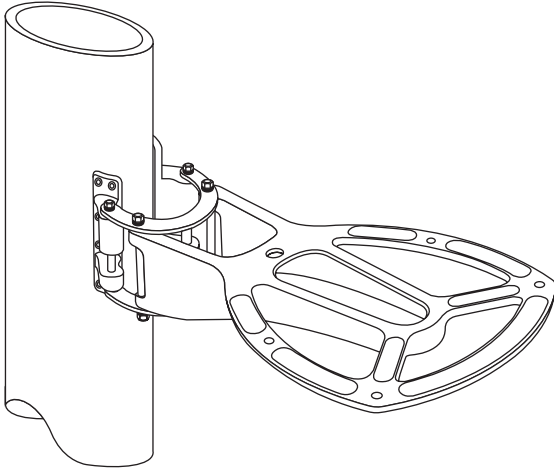
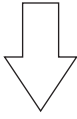
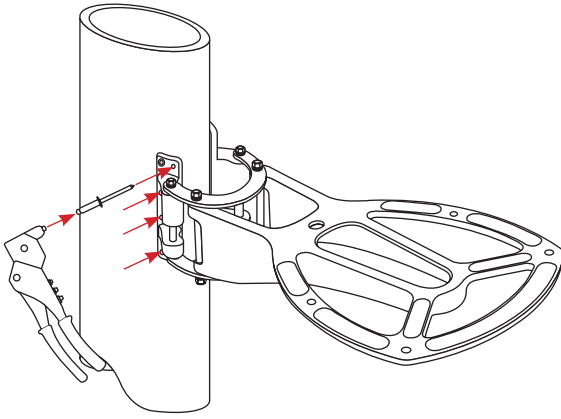
21



22



23



The background of the entire page is a light gray topographic map with white contour lines. The lines are irregular and wavy, representing terrain elevation. The map covers the entire page, with the text elements overlaid on it.

SEAVIEW///
ELEVATE YOUR ELECTRONICS

SEAVIEW///

Tel: 800-655-7922
www.seaviewglobal.com

EUROPEAN OFFICE

Tel: +33 4 94 53 27 70
www.seaviewprogress.com

5-4182019