

BoatBuckle® G2

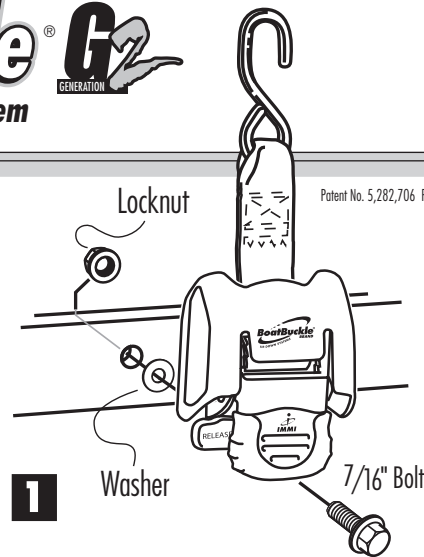
Retractable Tie-Down System

Product	Breaking Strength	Safe Working Load
F08893 - Transom (Standard)	5,000 lbs./pair (2,268 kg)	1,667 lbs./pair (756 kg)
F14256 - Transom (Stainless Steel)	3,000 lbs./pair (1,360 kg)	1,000 lbs./pair (454 kg)
F14220 - Bow (Standard)	2,500 lbs. (1,134 kg)	833 lbs. (378 kg)
F14393 - Bow (Stainless Steel)	1,500 lbs. (680 kg)	500 lbs. (227 kg)

INSTALLATION TO TRAILER FRAME:

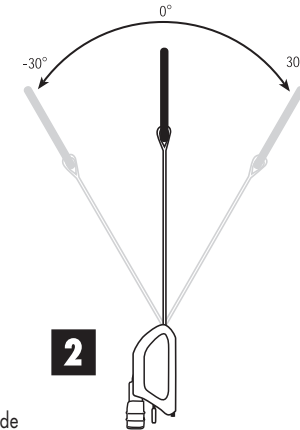
1. Use trailer's existing mounting tab, or drill 7/16" hole into trailer frame. See Cautions. Using bolt, washer and locknut provided, attach BoatBuckle to trailer frame.

Before tightening, the BoatBuckle should be swiveled left or right to ensure a straight-line pull to the tie-down point. Once in line, tighten securely. Do not over tighten.



Patent No. 5,282,706 Patents Pending

2. BoatBuckle should be mounted to trailer frame in such a position to enable the web to have as much of a straight line pull as possible. Web angle should not exceed a +/- 30 degree angle (forward or back) from vertical when in use, as shown.



M15706

CAUTIONS:

- Before mounting, be sure the tie-down point is between 12" - 41" from mounting hole. Do not mount unit otherwise.
- Mount BoatBuckle in such a manner that as much of a straight line pull on the web is achieved as possible in the forward / backward and left / right (or side to side) positions, per installation instructions. Do not exceed +/- 30 degrees (forward / backward). Failure to do so could cause damage to web and/or BoatBuckle and/or trailer frame, lessening tie-down's rated capacity.
- Do not over tighten bolt. Over tightening the bolt may deform the box channel on the trailer or BoatBuckle frame. (Maximum recommended torque: 45ft. lbs.)
- The BoatBuckle will remain in free-spool mode allowing web to retract or extend and will not secure a boat until the ratchet handle is fully engaged (lifted) to tighten strap. Pull on web to make sure it is in a locked position.
- When ratcheting handle, do not over tighten. Over tightening web could exert too much leverage, potentially damaging mounting point on boat or BoatBuckle unit. Use only the buckle for tightening. If an extra lever is used, damage to the load, tie-down and possible injury to the user may result.
- Check tightness of strap after driving a short distance (not to exceed three miles) and tighten if necessary. Often a load will settle down onto a trailer after it is in motion, which will permit slack to develop in the tie-down. Check anchor points and tightness of strap every 20-30 miles and adjust as required.
- Care must be taken to keep web from coming into contact with sharp edges of the trailer or watercraft.
- Periodic inspection of this tie-down must be made to ensure that the hardware is not damaged or the webbing cut or frayed. If such a condition exists, replace the tie-down at once.
- This tie-down should only be used for its intended purpose. Any other use can be dangerous.
- IMMI recommends a winch strap, bow tie-down, and transom or gunwale tie-down all be used together to properly secure all watercraft on trailers.
- Safe working load is 1/3 of the product's rated capacity. Do not exceed safe working load for this tie-down.

BoatBuckle®
TIE-DOWN SYSTEMS
BRAND



18881 U.S. 31 North • CAPE Building
P.O. Box 408 • Westfield, IN 46074-0408
(888) 937-4626 (317) 896-5821
outdoor@imminet.com • www.boatbuckle.com

CONTACT INFO

DESIGNER: DARLENE HARRISON, GRAPHIC DESIGN & ILLUSTRATION
(317) 718-1617 • harrisoncreative@earthlink.net

IMMI CONTACT: DEBRA HAMER, IMMI
(888) 937-4626 • (317) 896-8313

FILE INFO

JOB# 17_M
JOB NAME: BOATBUCKLE OEM INSTALL GUIDE
P/N: M15706
DOCUMENT SIZE: 5.5"H X 8.5"W
DATE APPROVED: 01/08/05

PRINTING INFO

PRINTER: UNKNOWN
FORMAT: (MAC) ILLUSTRATOR 10
(CONVERT TO PDF FOR PRINTER)
COLORS: BLACK
SINGLE SIDED