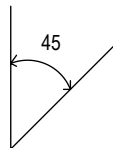
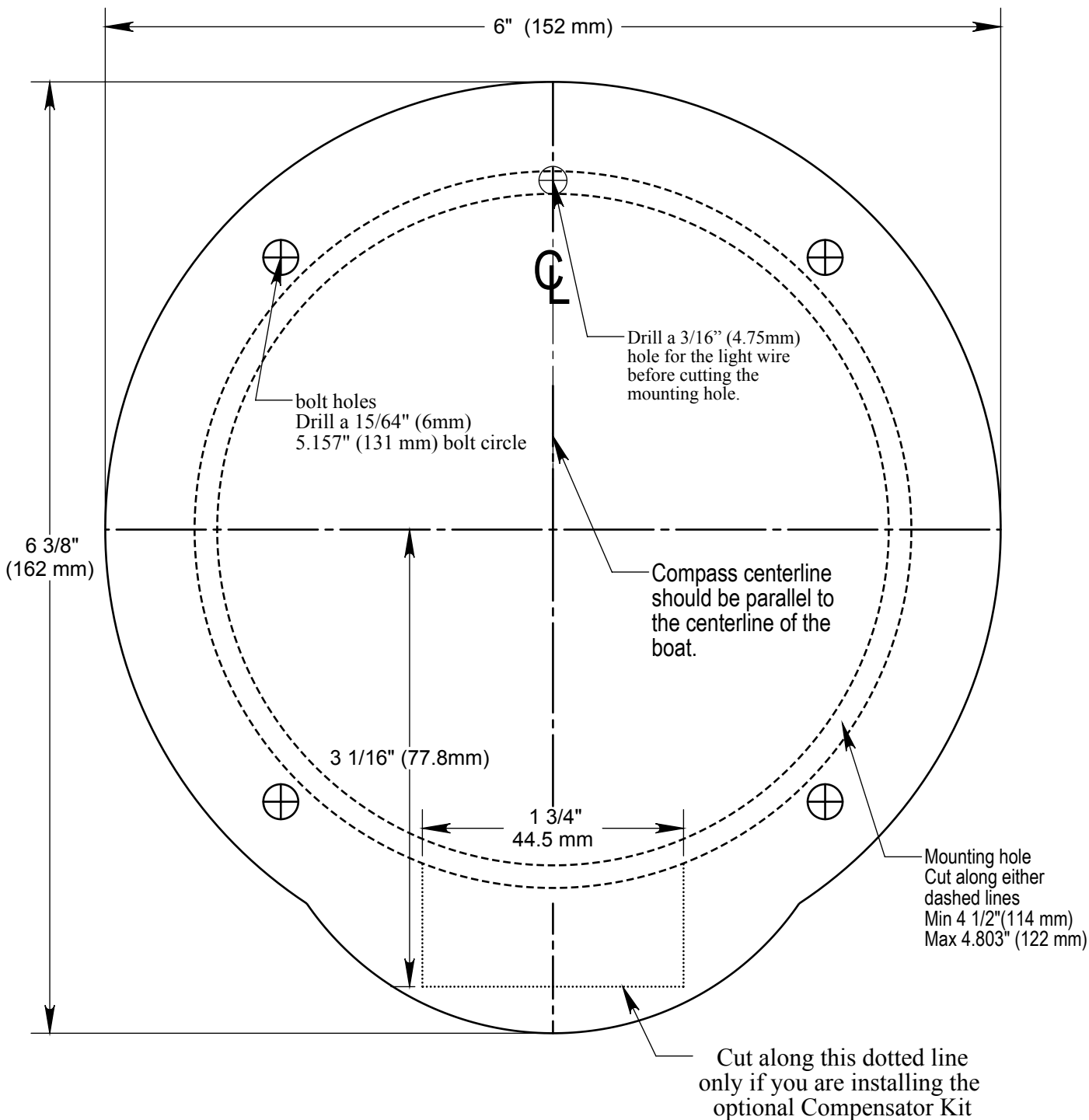


This model can be mounted vertical to 45 degrees back.



Forward  
(Bow)



**RITCHIE**<sup>®</sup>

Mounting Template for  
the SR-2 and SS-PR-2

Part # BK-0022  
Rev B 10/10