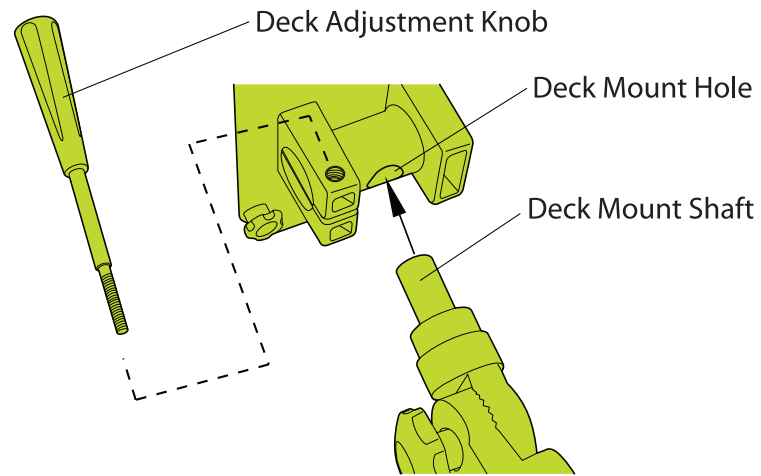
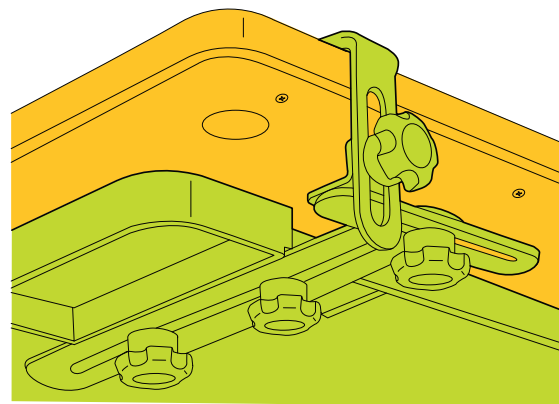


Deck mounting and Adjustment

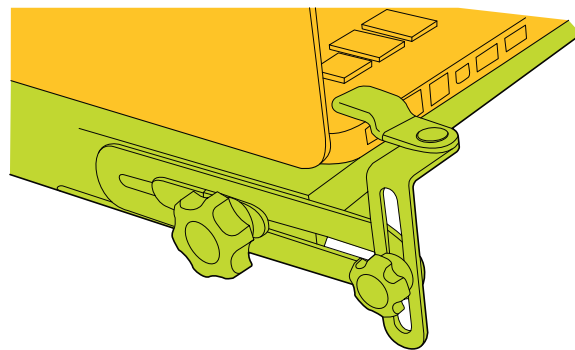


Insert the Deck Mount Shaft into the Deck Mount Hole. Make sure the Deck is fully seated onto the Main Support Arm.

Screw the Deck Adjustment Knob into the Deck.



Front Securing Arm View



Rear Securing Arm View

Loosen the Adjustment Knobs underneath the Deck. Slide the Adjustment Arms out.

Place your device on the deck with the screen open.

Loosen the other Arm Adjustment Knobs and move the Securing arms into place as shown.

Press down on the Securing arms and tighten the Adjustment Knobs to secure your device to the Deck.

You may need to go back and adjust the Main Support Arm to obtain optimal viewing of your device.

LIMITED WARRANTY

Limitation on Warranty and Claims. SELLER WARRANTS THAT THE GOODS SOLD AND DELIVERED BY THE SELLER TO THE BUYER SHALL BE FREE FROM DEFECTS IN WORKMANSHIP AND MATERIAL UNDER NORMAL USE AND SERVICE FOR A PERIOD OF ONE (1) YEAR FROM THE DATE OF DELIVERY. THIS WARRANTY IS EXPRESSLY IN LIEU OF ALL OTHER WARRANTIES, EXPRESS OR IMPLIED, WHETHER STATUTORY OR OTHERWISE, INCLUDING ANY IMPLIED WARRANTY OF MERCHANTABILITY OR FITNESS FOR A PARTICULAR PURPOSE. Seller's liability for breach of warranty shall arise only upon the return of the defective parts at the buyer's expense after notice to the seller of claimed breach and shall be limited to furnishing a like quantity of such goods free from such defects or, at the seller's option to refund the purchase price. Notice to the seller of claimed defects discoverable by inspection must be given within ten (10) days after receipt of shipment. In no event shall the seller be liable to the buyer for indirect, incidental, collateral or consequential damages of any kind. The buyer indemnifies the seller, its successors and assigns from and against any and all losses, damages and expenses (including reasonable attorney's fees) which the seller may sustain or incur as a result of any claim of negligence, breach of warranty or strict liability in tort in connection with the use of the goods furnished hereunder, except such as may be wholly caused by the negligence of the seller.

bracketron
INC

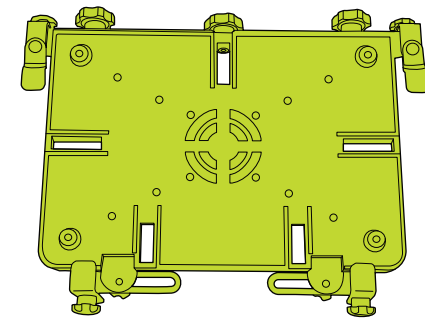
Universal Quick Release Laptop Stand

LTM-MS-525

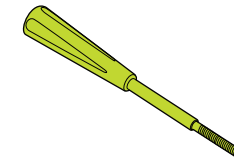
IMPORTANT NOTE

PLEASE READ INSTRUCTIONS COMPLETELY BEFORE INSTALLING THIS MOUNT KIT

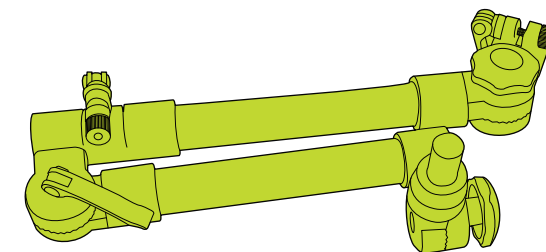
INCLUDED PARTS LIST



Deck

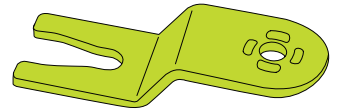


Deck Adjustment Knob

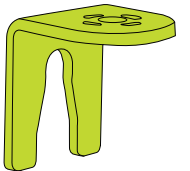


Main Support Arm

Standard Bracket



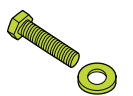
90 Degree Bracket



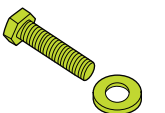
Mounting Stud



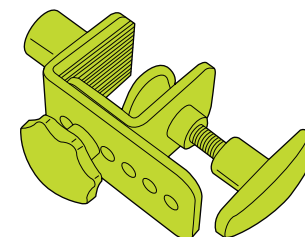
Mounting Stud Fastening Screw and Washer



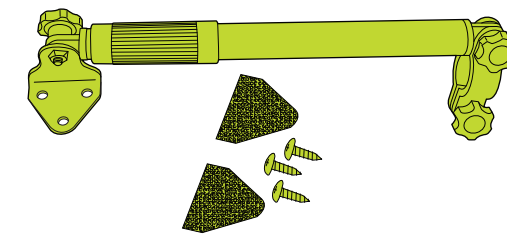
Seat Bolt Extension and Washer



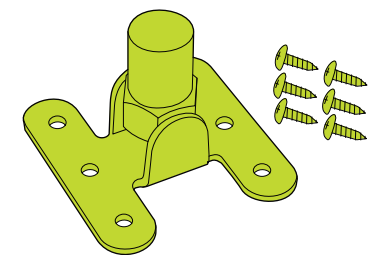
OPTIONAL PARTS LIST (not included)



C-Clamp
(LTM-CC-105)

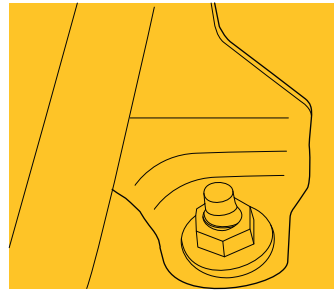


Support Arm
(LTM-SA-102)



Universal Floor Mount
(LTM-FM-101)

ASSEMBLY



OR

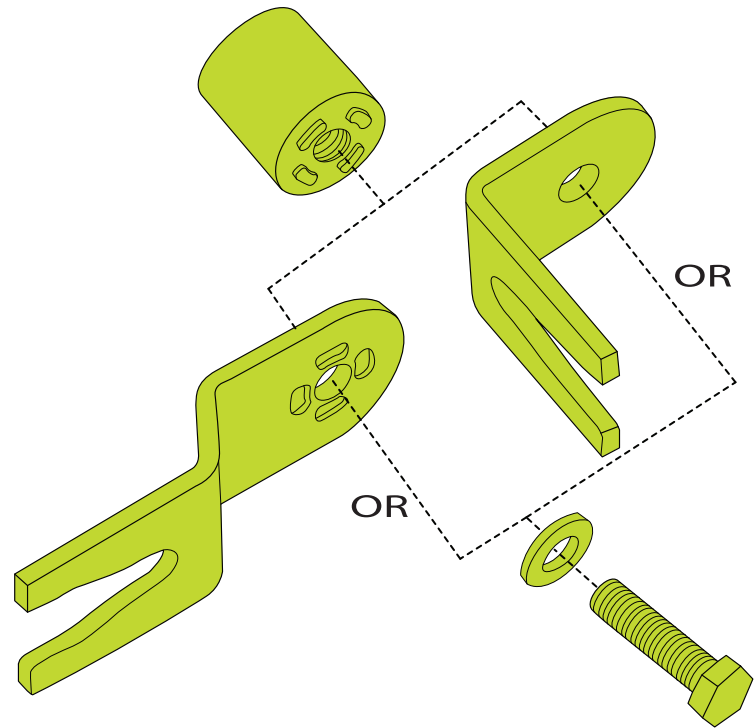


Use Standard Bracket

Use 90 Degree Bracket

Start by examining the front left bolt/nut that holds the passenger seat down. If the bolt is vertical, choose the Standard Bracket. If the bolt is horizontal, choose the 90 Degree Bracket.

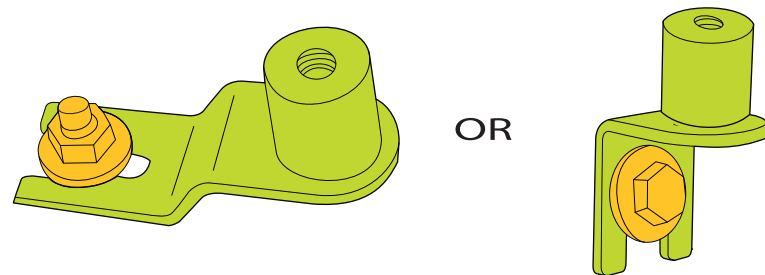
NOTE: You may need to adjust the seat to gain access to the bolt/nut



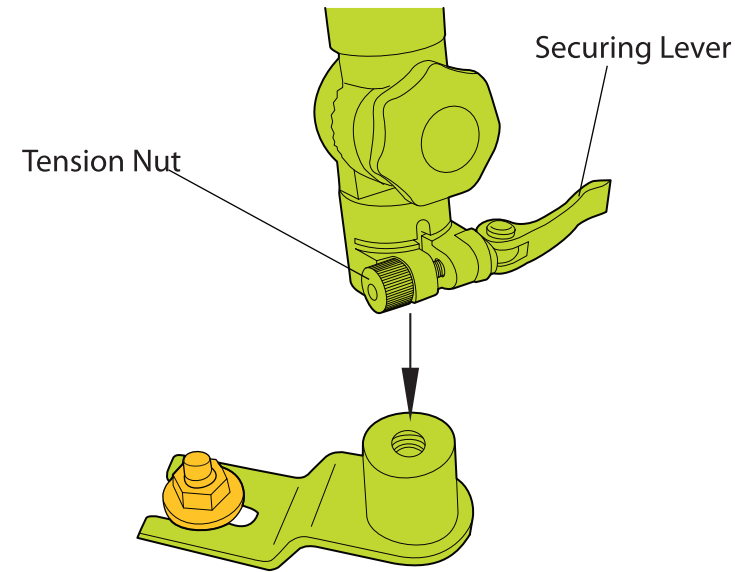
Place the Mounting Stud onto the chosen bracket and secure it using the Mounting Stud Fastening Screw and Washer. Secure tightly using a 12mm socket wrench

NOTE: The Mounting Stud and brackets have corresponding bumps and holes, be sure to line these up before fully tightening the Mounting Stud Fastening Screw.

With the appropriate socket, loosen the front left passenger side seat bolt/nut. Place the bracket between the loosened nut/bolt and the vehicle's floorboard. Firmly tighten the seat nut/bolt back down to secure the bracket to your vehicle. If the seat bolt is too short, use the supplied Seat Bolt Extension and Washer.



Mounting

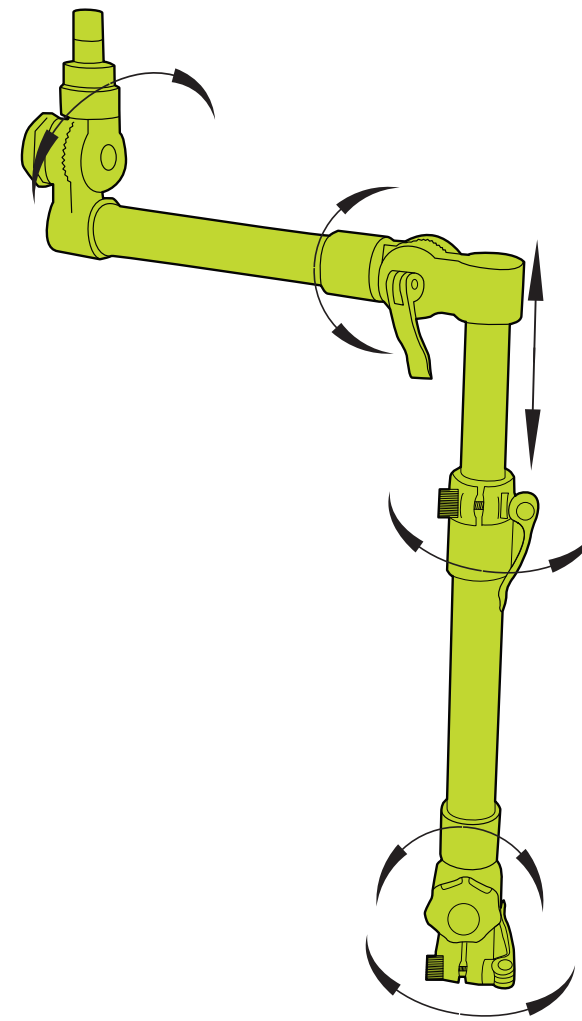


To secure the Main Support Arm to the Mounting stud, open the bottom clasp by opening the Securing Lever out.

Place the bottom clasp over the Mounting Stud and secure it by closing the Securing Lever.

NOTE: If the clasp seems loose when the Securing Lever is closed, you may need to adjust the tension of the clasp. Open the Securing Lever and screw in the Tension Nut one revolution. Close the Securing Lever again. If the clasp is still loose, repeat this step until the clasp is tight.

Adjustment



This mount is infinitely adjustable. There are 2 Adjustment Knobs and 3 Securing Levers, all which are points of adjustment. It may take several adjustments of each point to obtain optimal device viewing.