

## Specifications

### Placement

Passenger side of cab between seat frame and cab floor - pedestal platform should extend from inner rear of passenger seat

Floor must be flat under seat for this base to install properly

### Seat Configuration

Bucket/Bench

### Drilling Required

No drilling - uses existing seat bolts

### Construction/Finish

Steel/Black powder coat

### Dimensions

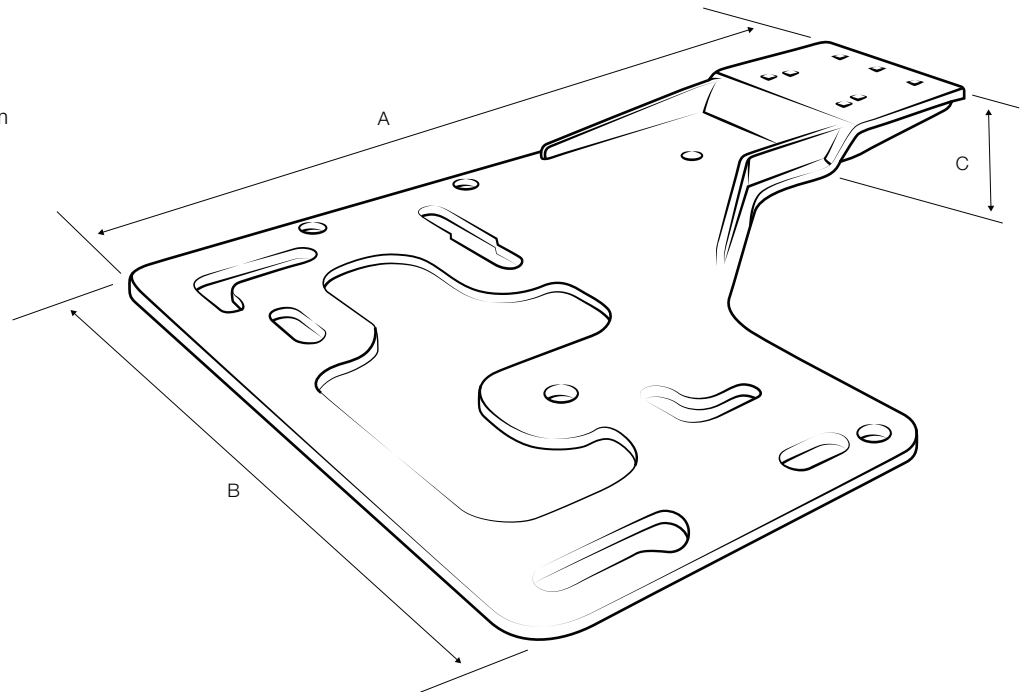
(A) 19.56" (B) 14.37" (C) 1.18"

### Pole or Pedestal

Purchased separately

### Weight

10.85 lbs.



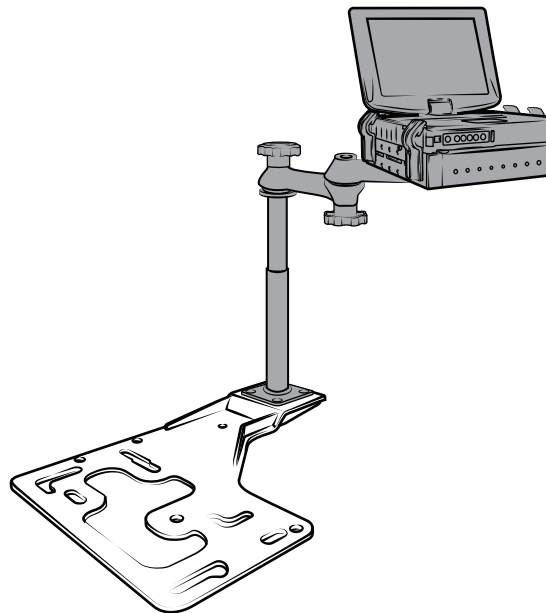
## Features

Installs in minutes with no drilling required

Won't interfere with passenger leg space

## Important Note

If the heater box is under the seat, the installer may need to drill holes in the base to accommodate vehicle mounting holes or studs. Also, the heater box may cause the system to sit higher than normal. Pole may be cut down by installer to lower kit. This will not void the warranty.



RMR-INS-VB-168



### Safety Precaution

Do not install this product near or over an airbag deployment area or in a location that obstructs the driver's vision or interferes with vehicle operation. National Products, Inc does not assume responsibility or liability for any such personal injury, death or property damage.

## Installation Instructions

Please note that the cab floor must be flat for this base to install. Sloped floors or floors with a center hump will not accommodate this product. For some truck and seat types, it may be necessary to drill additional holes in the base to accommodate existing vehicle hardware and mounting points.

- 1 Depending on vehicle make / model, remove either the nuts or bolts holding the passenger side seat to the cab floor and set these aside.
- 2 Remove the seat from the installation area. If air ride, be careful of damaging air lines or wiring associated with air pump or seat safety features.
- 3 Place the RAM® No-Drill™ base over the holes or mounting studs that are now accessible on the cab floor. Note that the platform for the pedestal should be positioned to the inside rear of the passenger seat when completed. This will put the pedestal between the passenger and drivers seat upon completion.
- 4 Replace the passenger side seat by sitting it over the top of the RAM® No-Drill™ base making sure that the studs or holes in the seat frame, RAM® No-Drill™ base, and floor board are aligned.
- 5 Re-install the factory nuts or bolts and securely fasten.

RMR-INS-VB-168

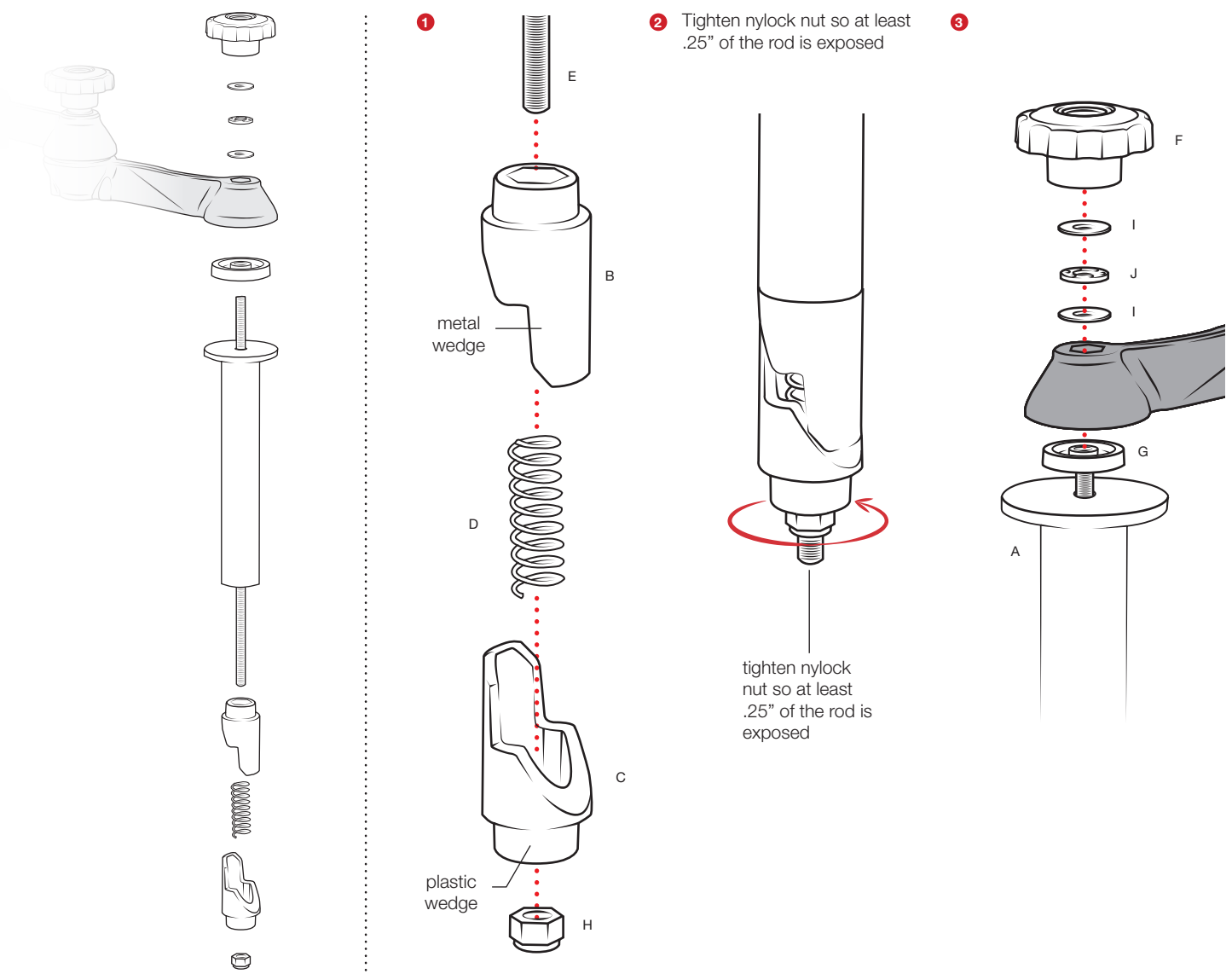
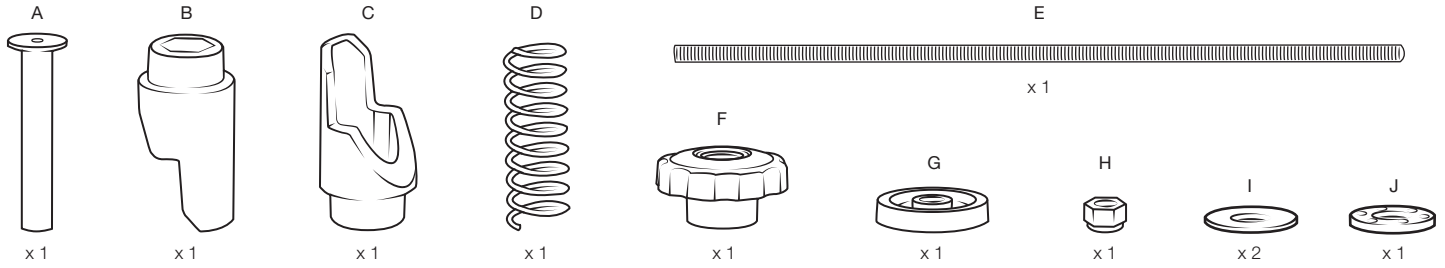


### Safety Precaution

Do not install this product near or over an airbag deployment area or in a location that obstructs the driver's vision or interferes with vehicle operation. National Products, Inc does not assume responsibility or liability for any such personal injury, death or property damage.

## Parts Index

Not to scale



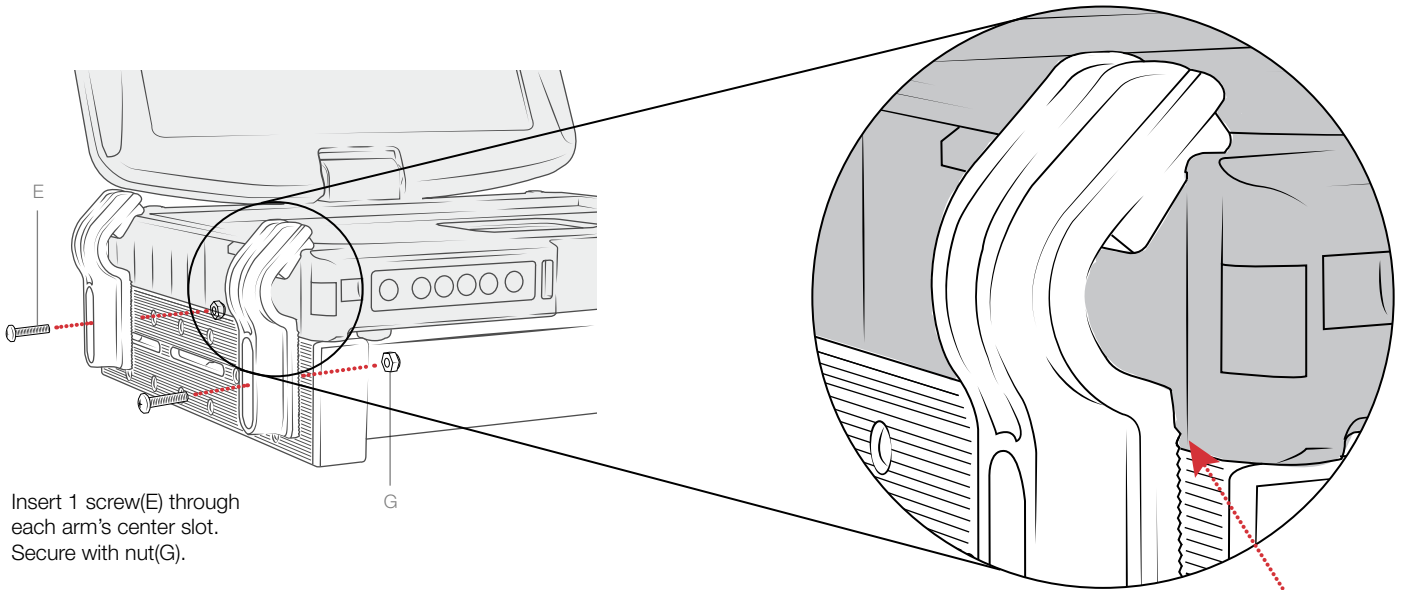
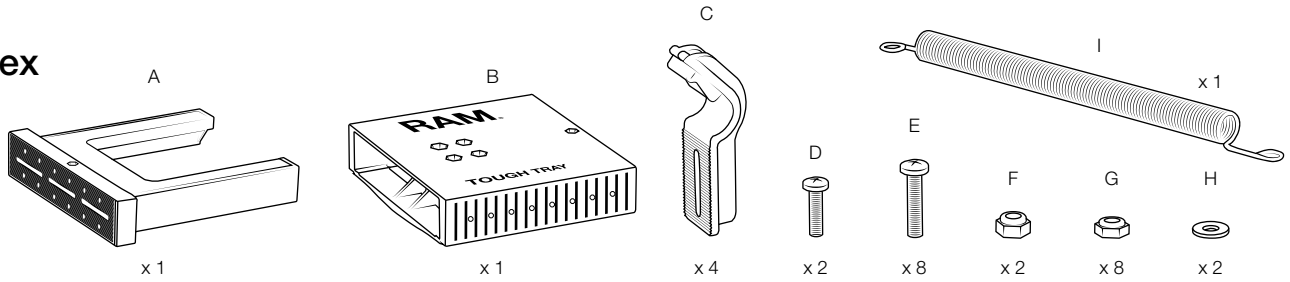
### Safety Precaution

Do not install this product near or over an airbag deployment area or in a location that obstructs the driver's vision or interferes with vehicle operation. National Products, Inc does not assume responsibility or liability for any such personal injury, death or property damage.

RMR-INS-VB-TP

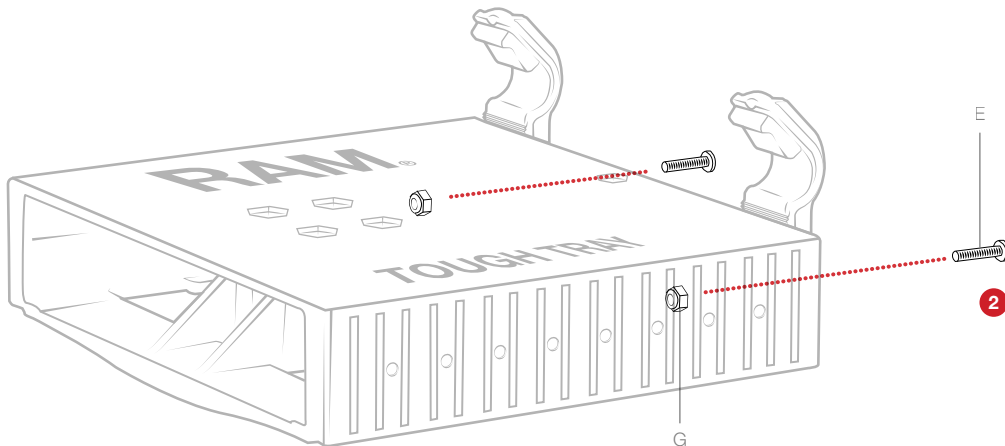
## Parts Index

not to scale



- 1 Insert 1 screw(E) through each arm's center slot. Secure with nut(G).

Adjust the side arm position to accommodate your laptop's thickness and to keep any needed ports open. Note the placement of the ridges when setting the arm height.



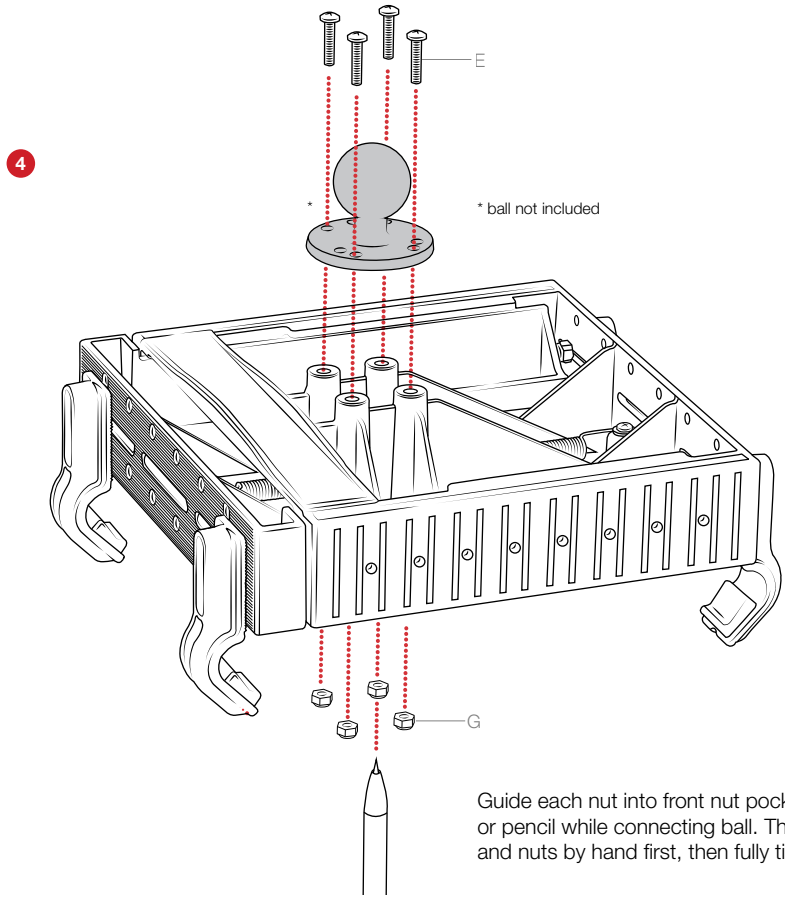
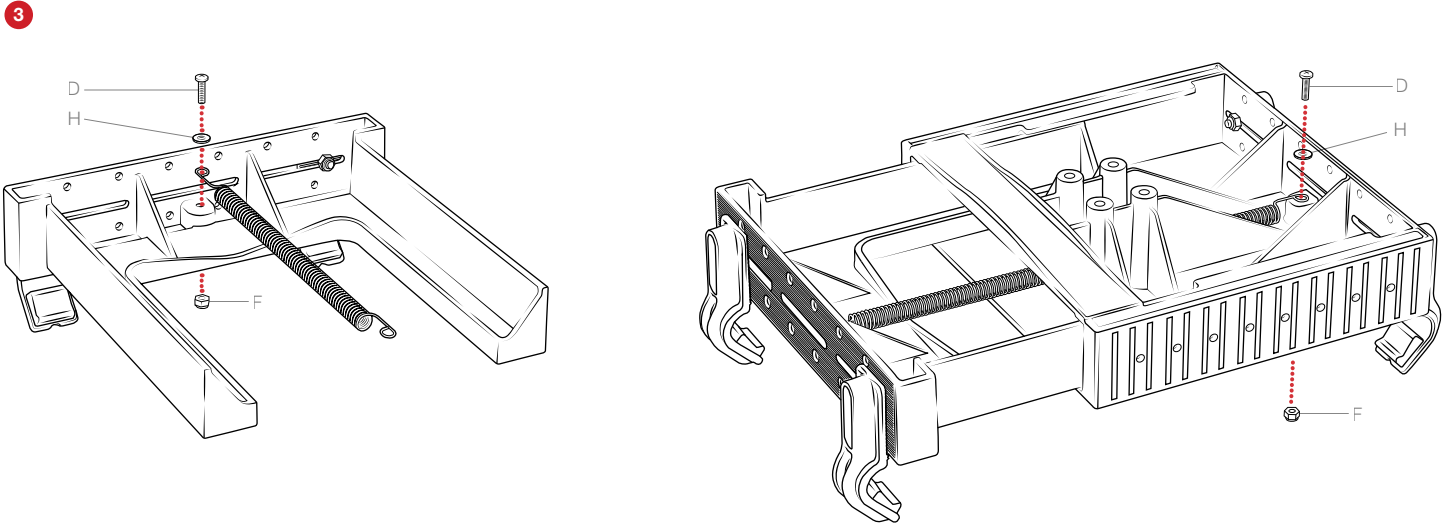
- 2 Repeat process for remaining side arms, keeping the ridge placement consistent.

RMR-INS-2343



### Safety Precaution

Do not install this product near or over an airbag deployment area or in a location that obstructs the driver's vision or interferes with vehicle operation. National Products, Inc does not assume responsibility or liability for any such personal injury, death or property damage.



RMR-INS-2343



**Safety Precaution**

Do not install this product near or over an airbag deployment area or in a location that obstructs the driver's vision or interferes with vehicle operation. National Products, Inc does not assume responsibility or liability for any such personal injury, death or property damage.