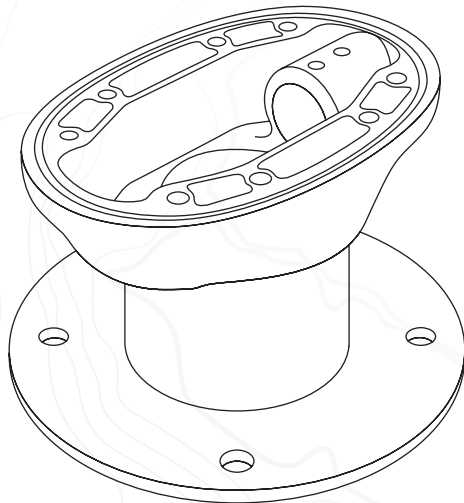


# **SEAVIEW**

**ELEVATE YOUR ELECTRONICS**



## **INSTALLATION INSTRUCTIONS**

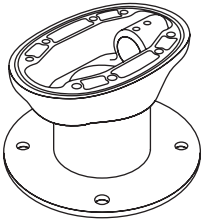
For Seaview Modular Mount:

**AM5-M1, AM12-M1, AM18-M1**

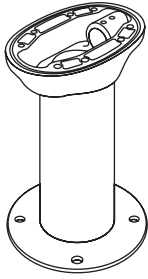
Refer to website for most up to  
date instructions and videos.

**[WWW.SEAVIEWGLOBAL.COM](http://WWW.SEAVIEWGLOBAL.COM)**

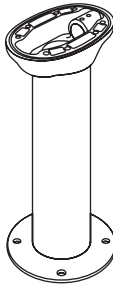
# PARTS INCLUDED



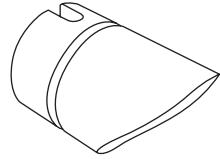
AM5-M1



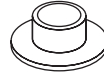
AM12-M1



AM18-M1



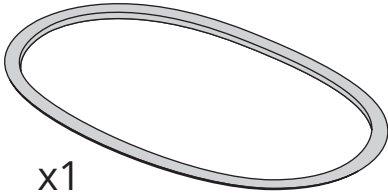
x1



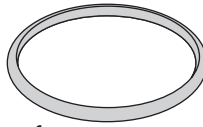
x4



x1



x1



x1

---

# TOOLS NEEDED



x4



x4



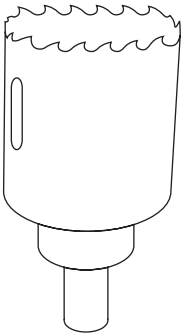
Sudbury Elastomeric Marine Sealant is recommended. To purchase call 800-655-7922 or visit [www.seaviewglobal.com](http://www.seaviewglobal.com)



1



5/16" = 8mm

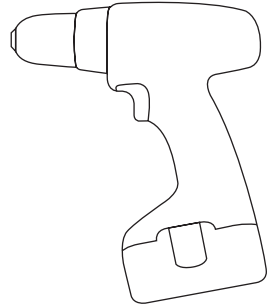


1 1/2" = 38mm

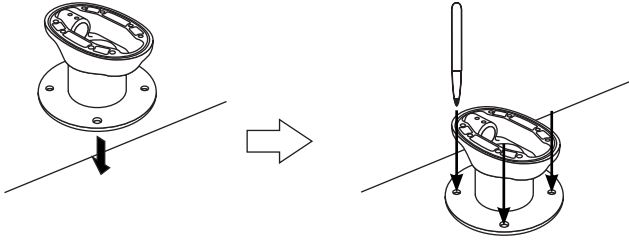


x4

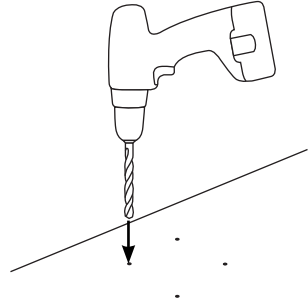
5/16" = 9.5mm



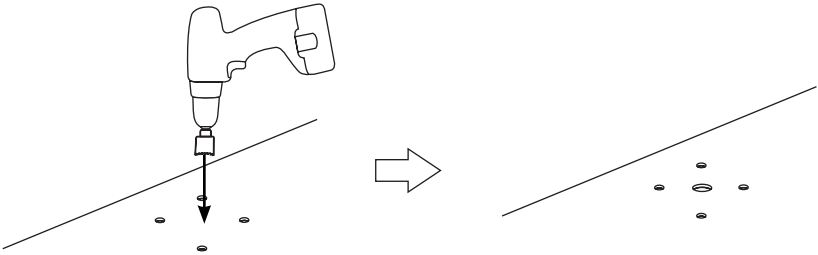
**1** Place the Seaview mount onto the mounting surface and mark the four bolt holes for drilling.



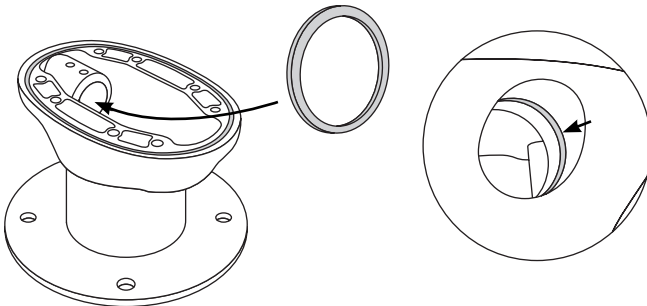
**2** Using a 5/16" drill bit, drill out the four bolt holes.



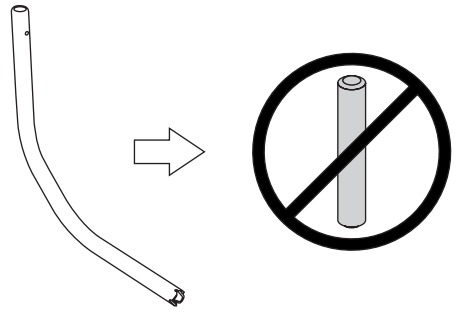
**3** Using a 1 1/2" hole saw, drill a hole for the cables.



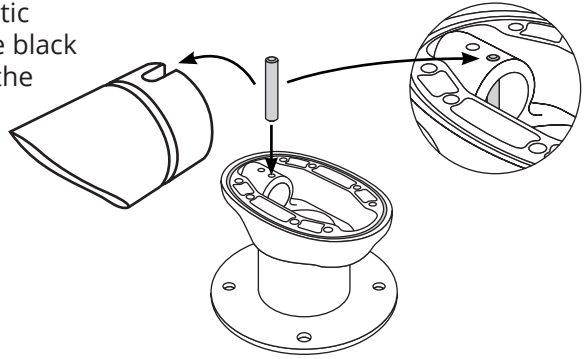
**4** Insert the rubber o-ring into the groove in the Light Bar hole.



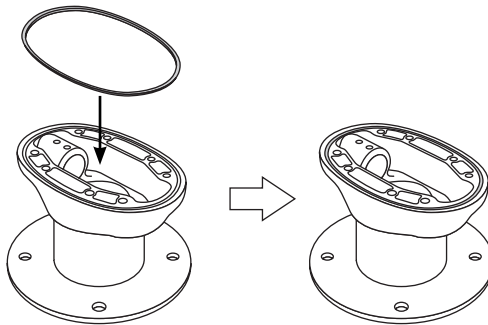
**5** If you are using an optional Seaview Light Bar, do not use the black pin.



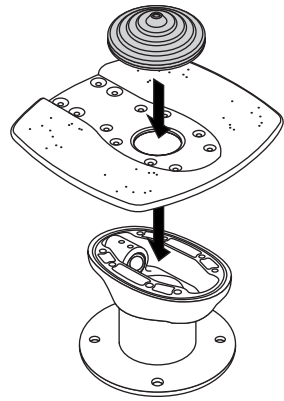
**6** If you are NOT using a Light Bar, use the white plastic plug instead. Insert the black pin in the first hole of the Light Bar insert.



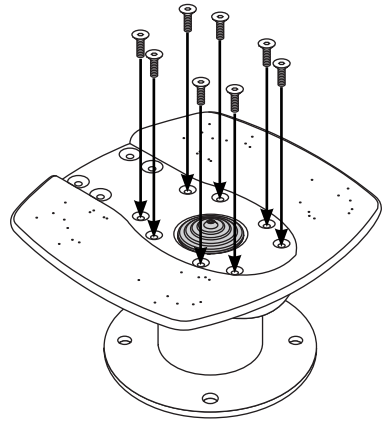
**7** Place the rubber gasket into the groove on the top of the Seaview mount.



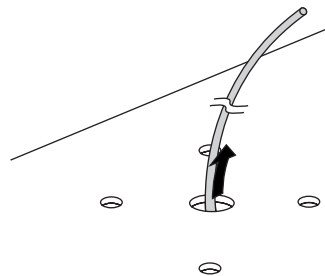
- 8** Insert the radar cable grommet that comes with the Seaview Top Plate kit into the center hole of the top Plate. Please refer to the instructions that came with the Seaview Top Plate for more details.



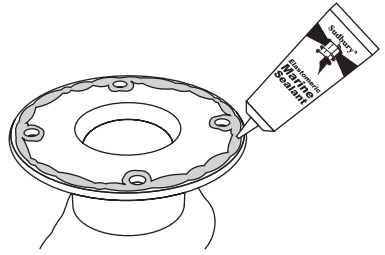
- 9** Secure the Seaview Top Plate to the mount using the eight bolts that come with the Seaview Top Plate.



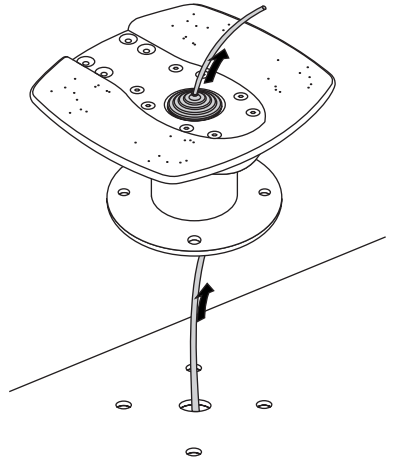
- 10** Route the cables through the mounting surface.



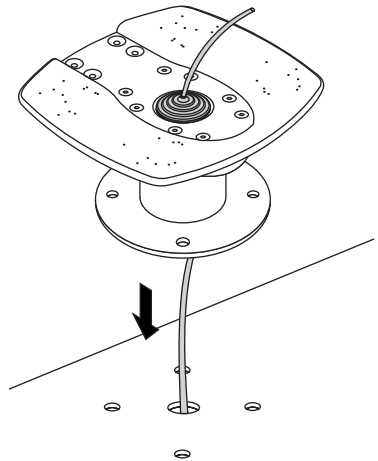
**11** Place marine adhesive sealant on the bottom of the base. Be sure to get around the four bolt holes.



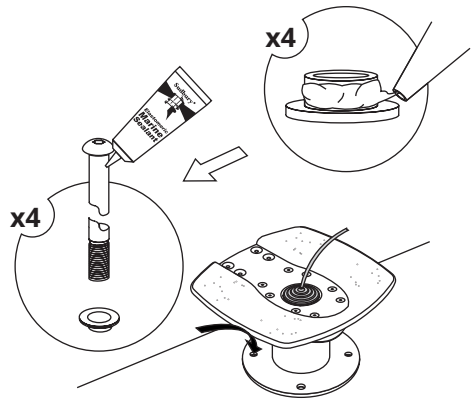
**12** Route the cables through the Seaview mount and through the Top Plate.



**13** Place the assembly on top of the mounting surface. Make sure that the four bolt holes lineup.



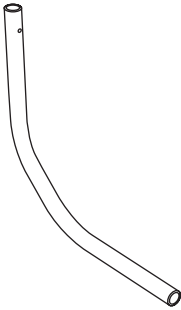
**14** Apply marine adhesive sealant around the four nylon shoulder washers and bolt heads. Using your own bolts, bolt the mount to the mounting surface.



## OPTIONAL ACCESSORIES

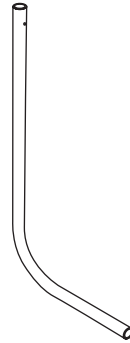
Call 800-655-7922 or visit [www.seaviewglobal.com](http://www.seaviewglobal.com) for available accessories.

### LIGHT BARS



#### LTB-R

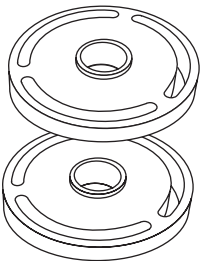
Fits closed dome radars.



#### LTB-S

Fits 20" or smaller satdome.

### WEDGE



#### AMA-W

Fits all Low Profile Satdome Adapters. Allows for 0-12 degrees of adjustment.

The background of the entire page is a light gray topographic map with white contour lines. The lines are irregular and wavy, representing elevation changes across a landscape. The map is centered and covers the entire area.

***SEAVIEW***///  
***ELEVATE YOUR ELECTRONICS***

***SEAVIEW***///

Tel: 800-655-7922  
[www.seaviewglobal.com](http://www.seaviewglobal.com)

***EUROPEAN OFFICE***

Tel: +33 4 94 53 27 70  
[www.seaviewprogress.com](http://www.seaviewprogress.com)

2-072618