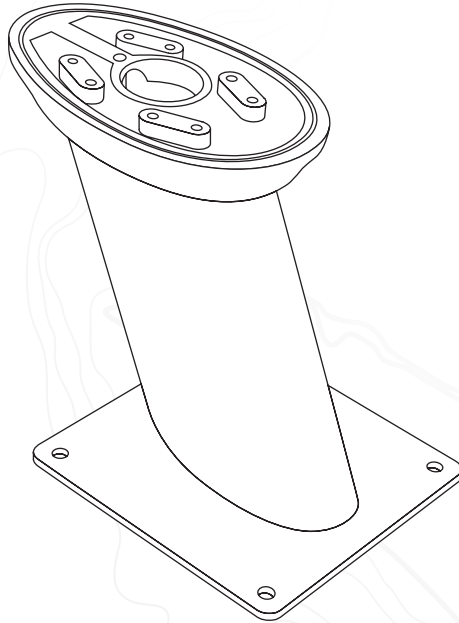


SEAVIEW

ELEVATE YOUR ELECTRONICS



INSTALLATION INSTRUCTIONS

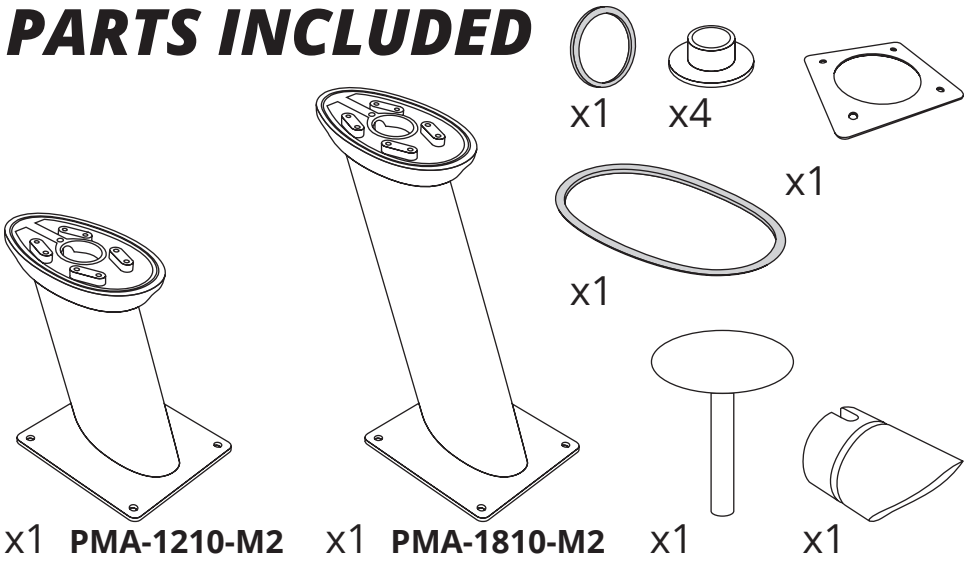
For Seaview Modular Mount:

PMA-1210-M2, PMA-1810-M2

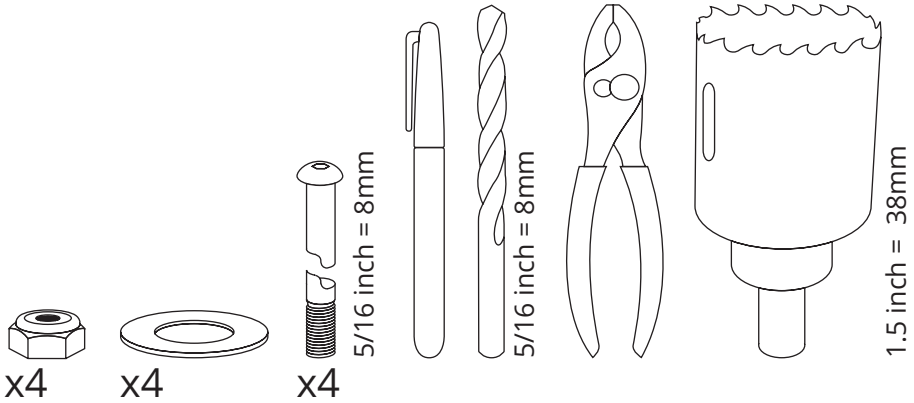
Refer to website for most up to
date instructions and videos.

WWW.SEAVIEWGLOBAL.COM

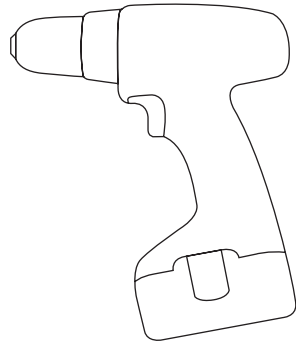
PARTS INCLUDED



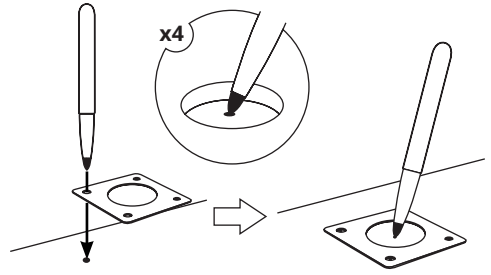
TOOLS NEEDED



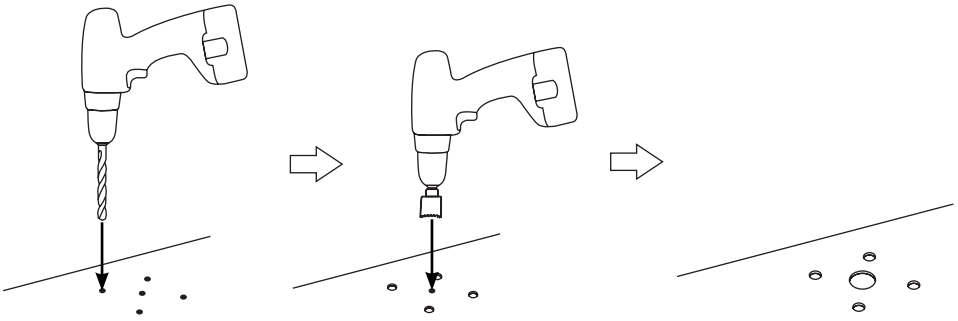
Sudbury Elastomeric Marine Sealant is recommended. To purchase call 800-655-7922 or visit www.seaviewglobal.com



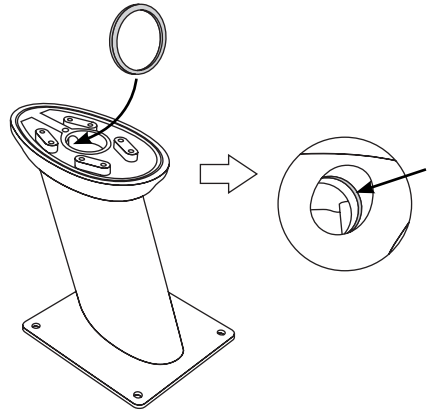
1 Mark the four bolt holes and center radar cable hole using the foam gasket as a template.



2 Using a 3/8" drill bit, drill the four bolt holes.
Use a 1 1/2" hole saw to cut a whole for the radar cable.

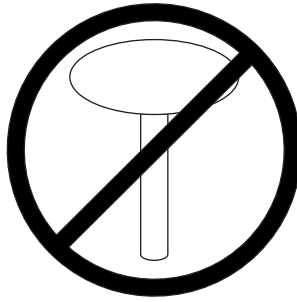
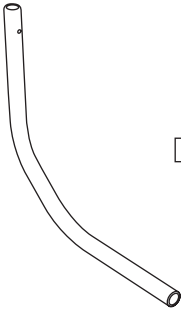


3 Insert the rubber grommet into the groove located in the light bar hole at the back of the mount.



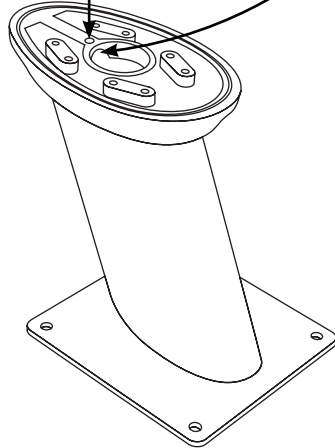
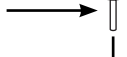
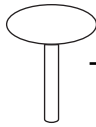
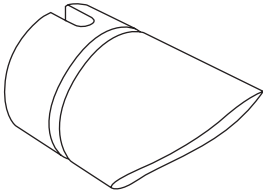
4A

If you are using a light bar, do not use the provided pin.

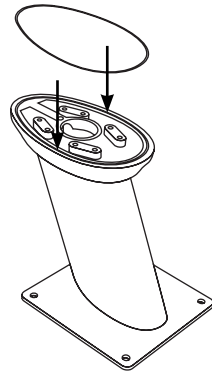


4B

If you are not using a light bar insert the pin. Then insert the white plastic plug into the light bar hole. It should snap onto the pin.

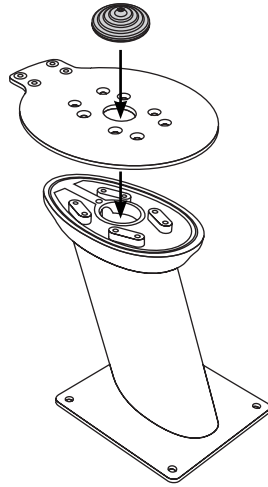


5 Place rubber gasket in the groove on the top of the mount.



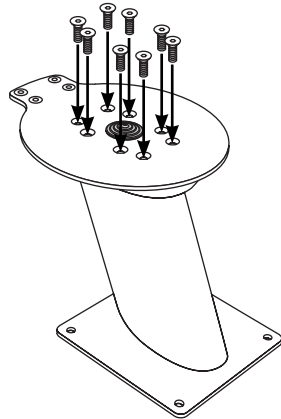
6 Insert the rubber radar cable grommet into the center of the Seaview Top Plate (sold separately). Make sure that the lip in the center of the Top Plate hole sits in the groove of the rubber grommet.

Then place the Top Plate on top of the mount, making sure that eight center bolt holes line up.



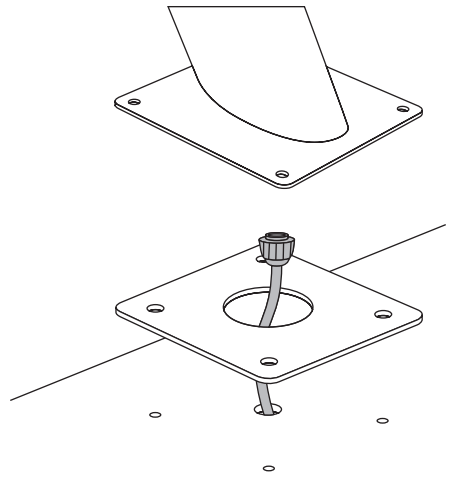
7 Using the eight 5/16 - 18x1" bolts from the Seaview Top Plate kit, bolt down the Top Plate.

Refer to the provided Seaview Top Plate installation instructions for more information.



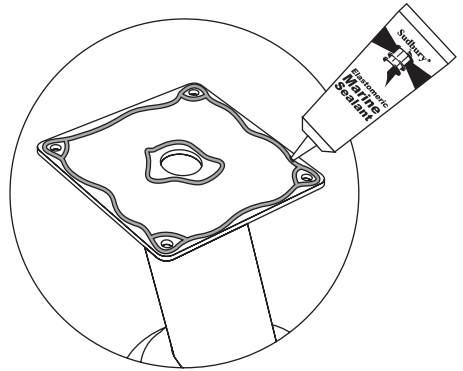
8A

Place the foam gasket and Seaview mount over the bolt holes.



8B

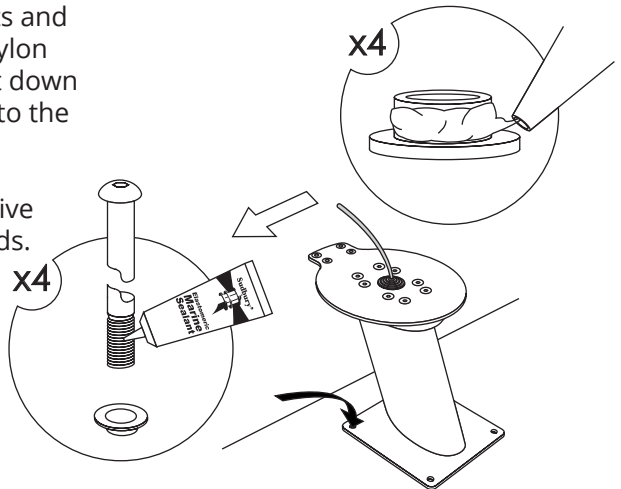
If you prefer not to use the foam gasket apply sealant or equivalent to seal the base.



9

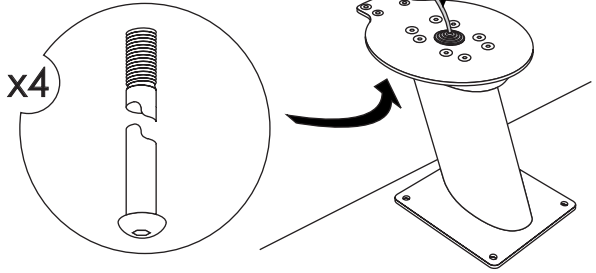
Using your own bolts and the four supplied nylon should washers bolt down the Seaview mount to the mounting surface.

Apply marine adhesive sealant to the threads.



10

Secure your radar to the Top Plate using four bolts, be sure to follow the Seaview Top Plate instructions on how to do this.



The background of the entire page is a light gray topographic map with white contour lines. The lines are irregular and wavy, representing terrain elevation. The map covers the entire page, with the text elements overlaid on it.

SEAVIEW//
ELEVATE YOUR ELECTRONICS

SEAVIEW//

Tel: 800-655-7922
www.seaviewglobal.com

EUROPEAN OFFICE

Tel: +33 4 94 53 27 70
www.seaviewprogress.com

3-111318