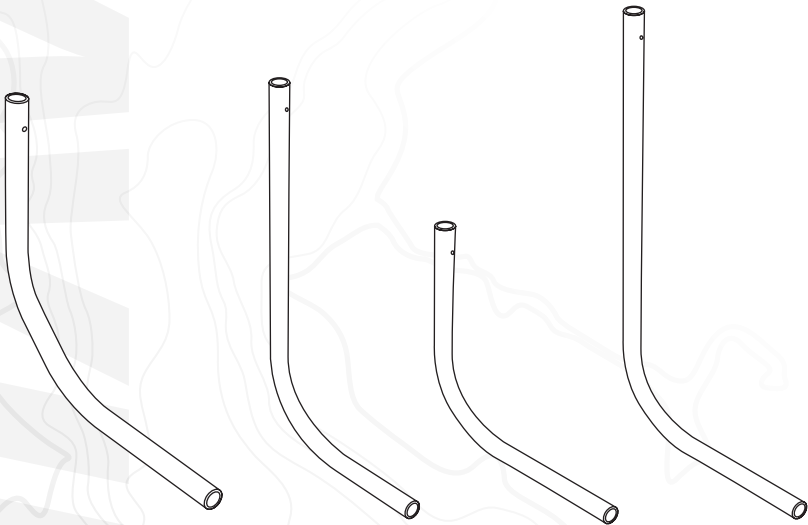


SEAVIEW

ELEVATE YOUR ELECTRONICS



INSTALLATION INSTRUCTIONS

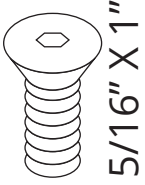
For Seaview Modular Light Bars:

LTBR, LTBS, LTB13, LTBS24

Refer to website for most up to date instructions and videos.

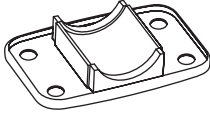
WWW.SEAVIEWGLOBAL.COM

PARTS INCLUDED

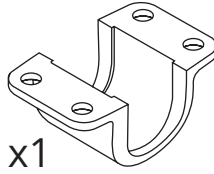


5/16" X 1"

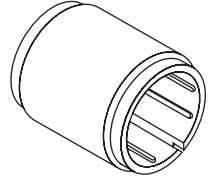
x4



x4

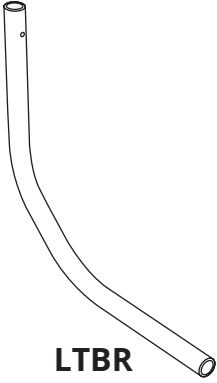


x1

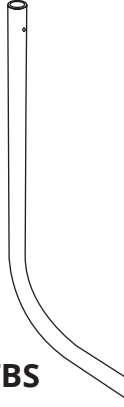


x1

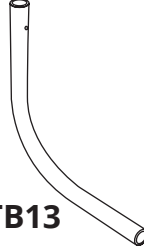
x1



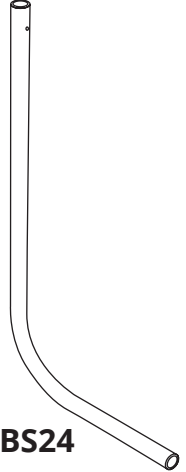
LTBR



LTBS



LTB13



LTBS24

TOOLS NEEDED



Sudbury Elastomeric Marine Sealant is recommended. To purchase call 800-655-7922 or visit www.seaviewglobal.com

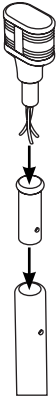


5/32 = 4mm

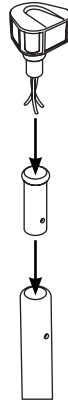


Route wiring through the Light Bar and then insert light into Light Bar. Procedure may vary depending on which light bar top you have.

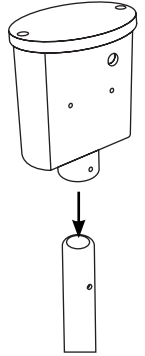
1A



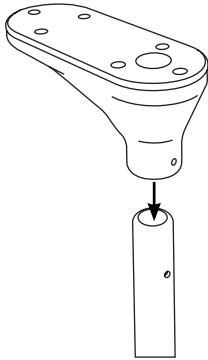
1B



1C



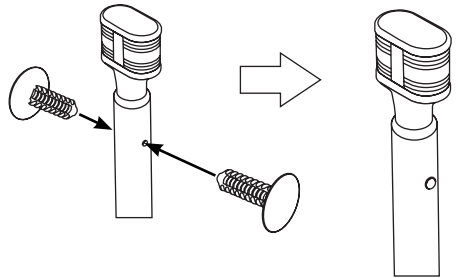
1D



1E

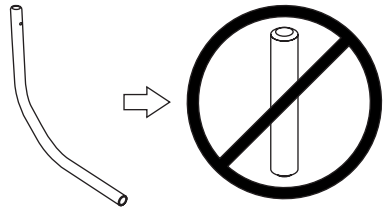


2 Once your Light Bar Top is in place secure it with the two black rivets.



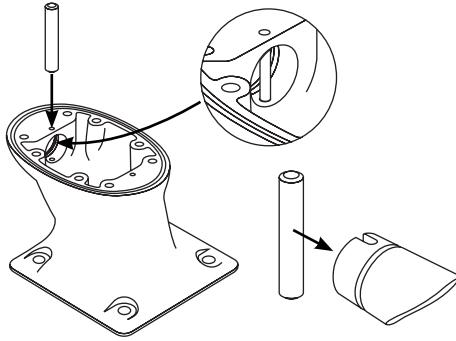
3A

If you are using a light bar, do not use the provided pin.



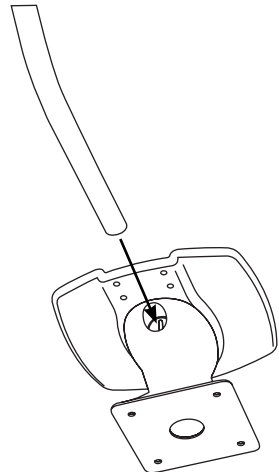
3B

If you are not using a light bar insert the pin. Then insert the white plastic plug into the light bar hole. It should snap onto the pin.



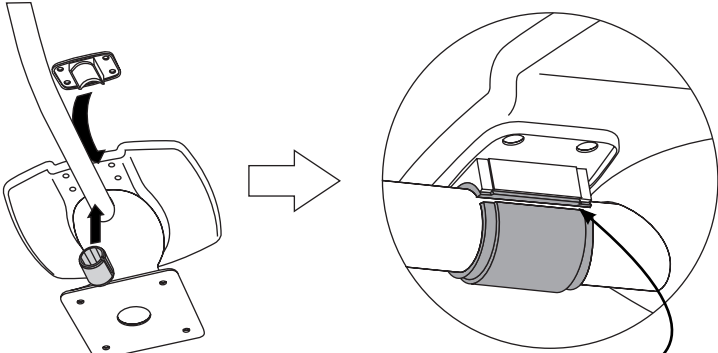
4

Insert the Light Bar into the back of the Seaview mount.



5

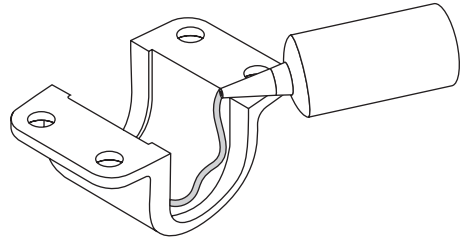
Place the rubber sleeve around the Light Bar then place the white plastic adapter on top. Be sure that the adapter locks into place onto the sleeve. The four bolt holes on the adapter should line up to the four holes on the Seaview Top Plate.



Be sure that the slit in the sleeve lines up with the edge of the adapter.

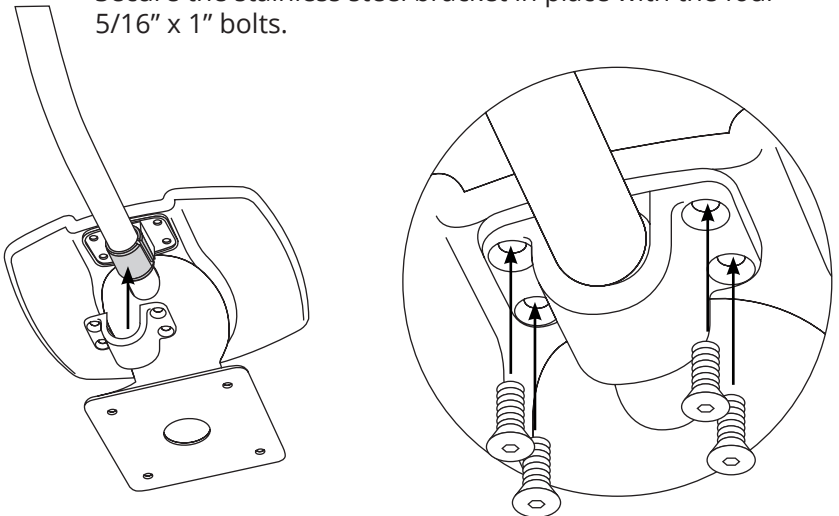
6

Apply soapy water onto the stainless steel bracket as shown here.



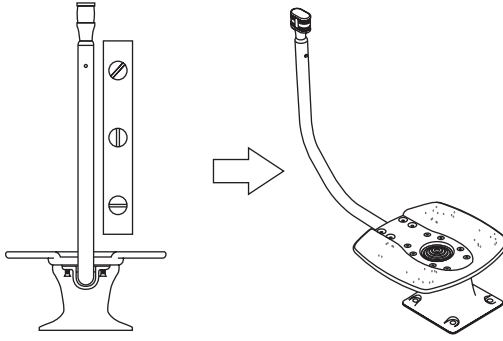
7

Secure the stainless steel bracket in place with the four 5/16" x 1" bolts.



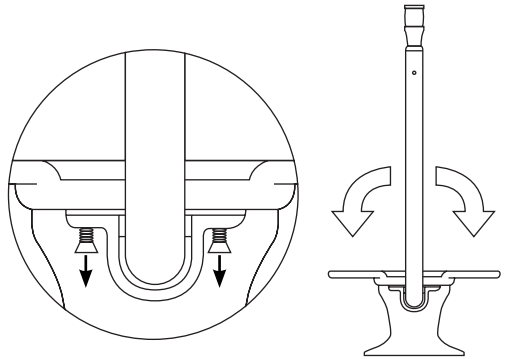
8

Make sure that the Light Bar is level.



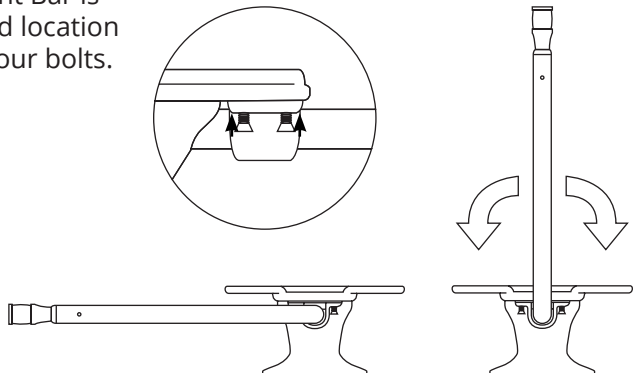
9

To rotate the Light Bar left or right simply loosen the four bolts.



10

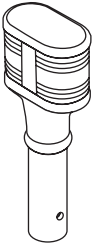
Once the Light Bar is in the desired location tighten the four bolts.



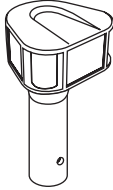
OPTIONAL ACCESSORIES

Call 800-655-7922 or visit www.seaviewglobal.com for available accessories.

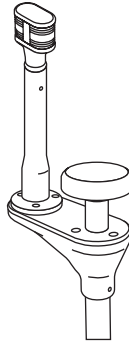
LIGHT BAR TOPS



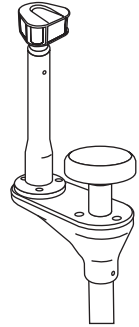
LTBP-1197
Perko 1197
incandescent light.



LTBA-7800
Attwood LED
Light.

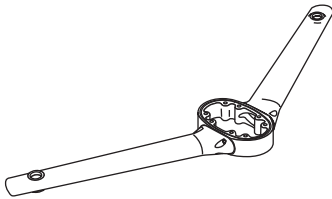


LTBU1A1197
Light Bar Top
with Perko 1197
incandescent
light, can fit GPS.



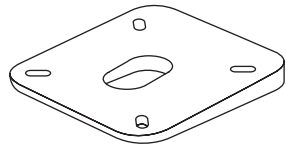
LTBU1A800
Light Bar Top
with Attwood
LED Light, can fit
GPS.

SPREADER KIT



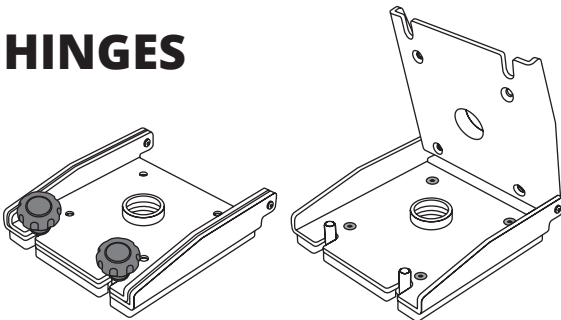
SP1-MOD
Allows user to mount GPS units or
antennas onto a Seaview Modular
Mount.

WEDGES



Compensates for plane angle.
Available in 2, 4 or 6 degree wedges.

HINGES



Seaview Hinge Adapters fold
in any direction necessary for
added height clearance.

The background of the entire page is a light gray topographic map with white contour lines. The lines are irregular and wavy, representing elevation changes across a landscape. The map is centered and fills the entire frame.

SEAVIEW///
ELEVATE YOUR ELECTRONICS

SEAVIEW///

Tel: 800-655-7922
www.seaviewglobal.com

EUROPEAN OFFICE

Tel: +33 4 94 53 27 70
www.seaviewprogress.com

4-121718