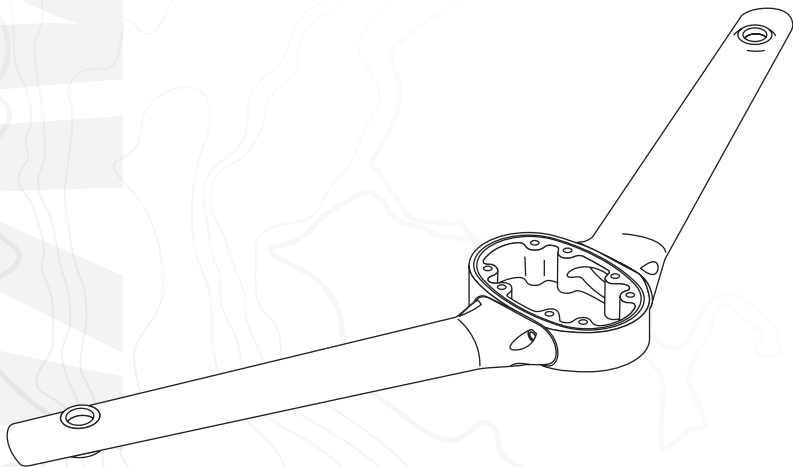


# **SEAVIEW**

**ELEVATE YOUR ELECTRONICS**



## **INSTALLATION INSTRUCTIONS**

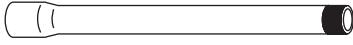
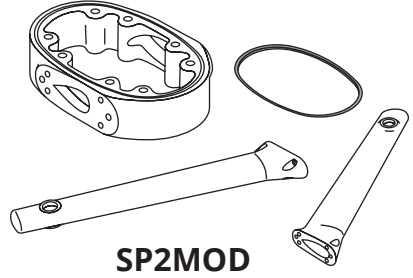
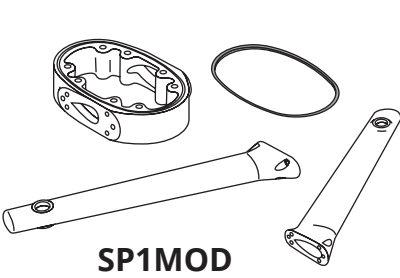
For Seaview Spreader Kits:

**SP1MOD, SP2MOD**

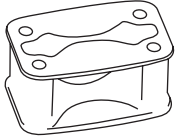
Refer to website for most up to  
date instructions and videos.

**[WWW.SEAVIEWGLOBAL.COM](http://WWW.SEAVIEWGLOBAL.COM)**

# PARTS INCLUDED



x2  
SP1 Extention Rod



x1  
SP10



x4  
SP6



x2  
SP3



x8

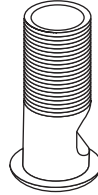
1/4-20 x 1"



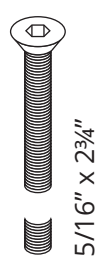
x2  
SP8



x8  
SP12

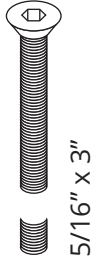


x2  
SP7SS



x12

5/16" x 2 3/4"



x4

5/16" x 3"

---

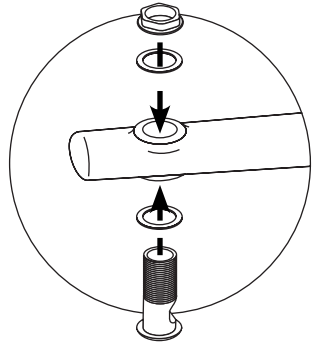
# TOOLS NEEDED



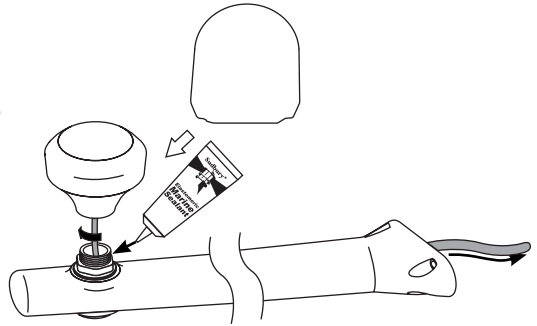
Sudbury Elastomeric Marine Sealant is recommended. To purchase call 800-655-7922 or visit [www.seaviewglobal.com](http://www.seaviewglobal.com)

**1** Apply the rubber grommet onto the threaded adapter and then insert the spreader.

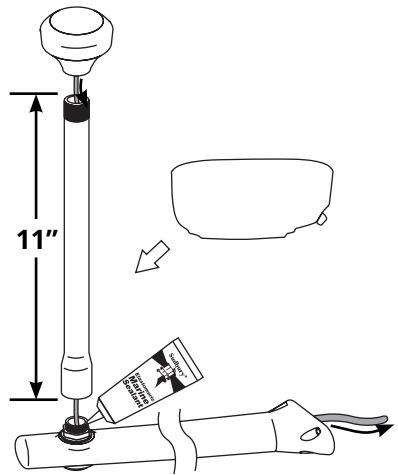
Apply another rubber grommet and plastic nut on the threaded adapter.



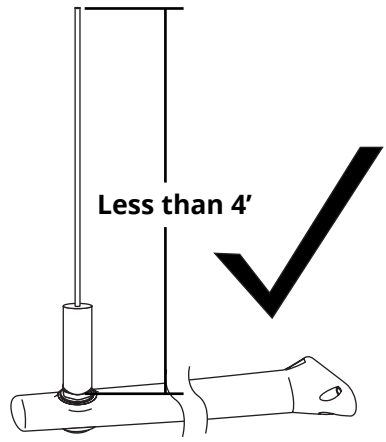
**2** If you are using a satellite dome the plastic extension rod is not needed. Apply marine adhesive sealant to the threads of the adapter and screw on the GPS unit. Route the cables through the spreader.



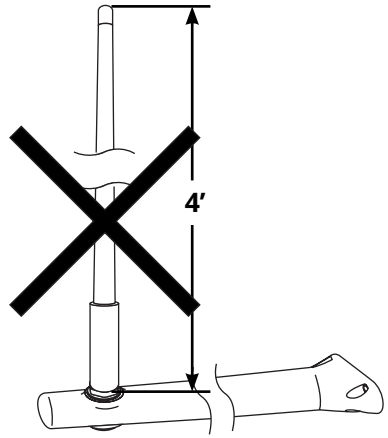
**3** If you are using a closed dome radar use the provided plastic extension rods. Apply marine adhesive sealant to the threads of the adapter and screw on the GPS unit. Route the cables through the spreader.



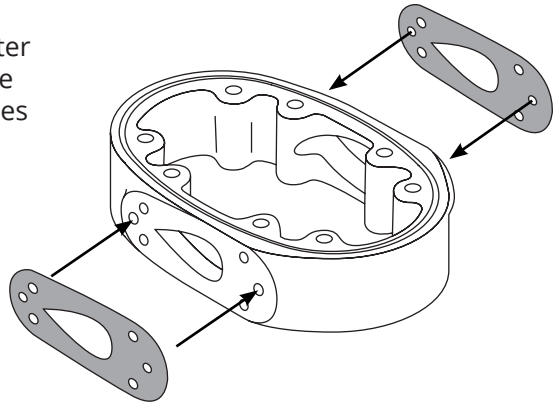
**4** If your fiberglass antenna is less than 4' tall then you are ok.



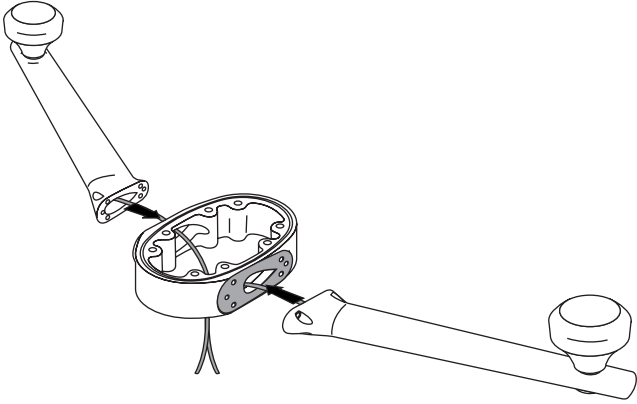
**5** Do **NOT** use 4' or taller fiberglass antennas with Seaview Spreader Kits. Please call 800-523-7558.



**6** Place the rubber gaskets onto the sides of the center spreader body. Make sure that the six mounting holes line up.



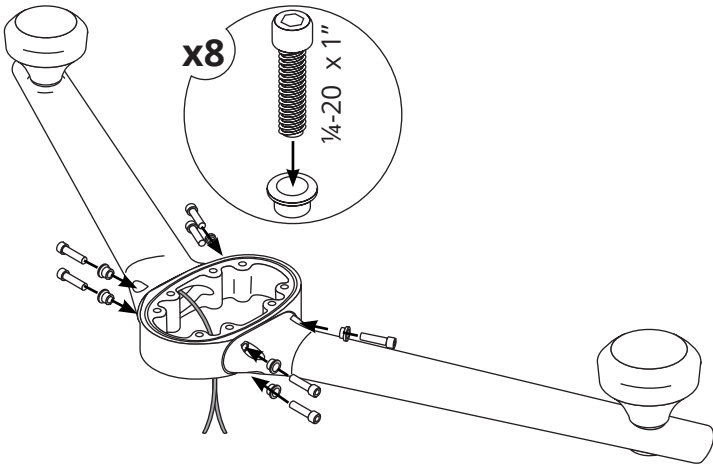
**7** Route the cables through the center spreader body.



---

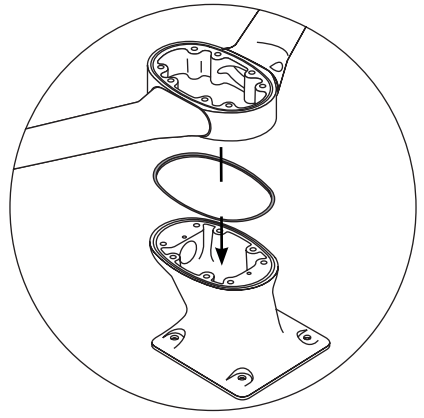
**8** Insert the eight black plastic shoulder washers into the spreader bolt holes.

Using the eight 1/4-20 x 1" bolts tighten the spreaders with an allen wrench.



**9** Place the rubber gasket in the groove on the top of the Seaview mount.

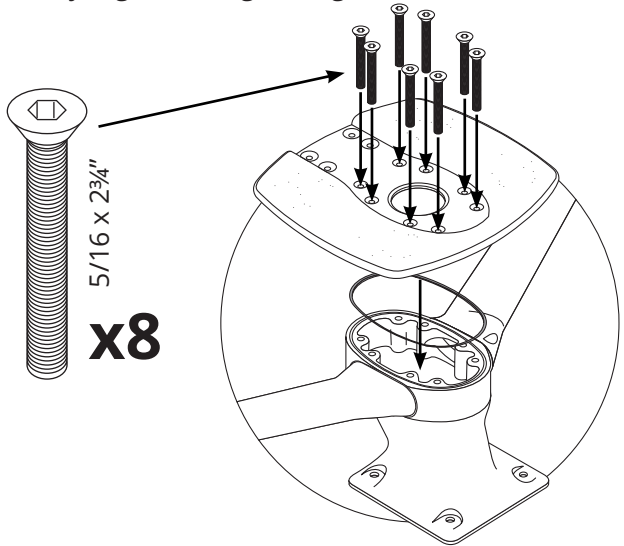
Then place the Spreader Kit on top of the mount assembly.



---

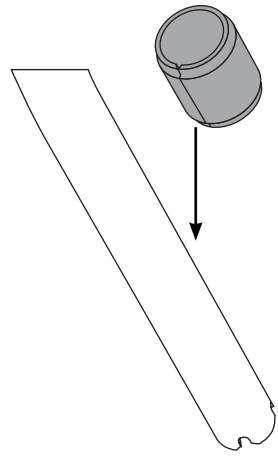
**10** Place the rubber gasket that comes with the Seaview Top Plate Kit into the groove on the top of the Spreader Kit center body.

Bolt the assembly together using the eight 5/16 x 2 3/4" bolts.



# 11

If you are using an optional Seaview Lightbar wrap the rubber bushing around the end of the lightbar.

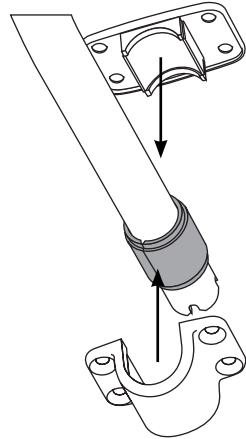


---

# 12

Place the white plastic adapter piece on top of the rubber bushing.

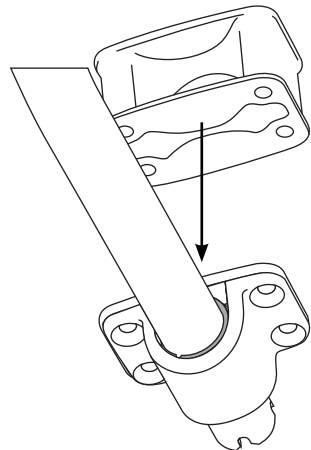
Place the stainless steel bracket onto the bottom of the rubber bushing.



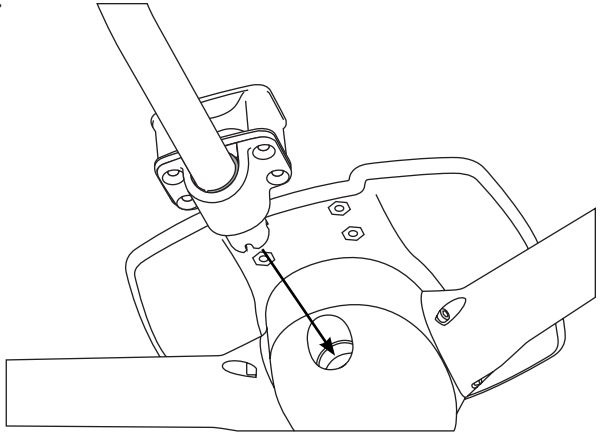
---

# 13

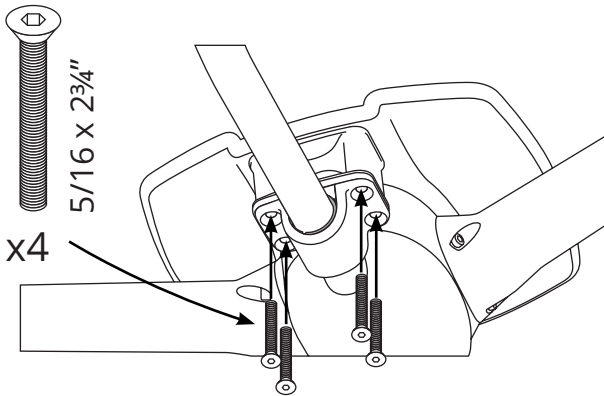
Place the white plastic spacer on top of the adapter.



**14** Insert the lightbar into the back of the Seaview mount.



**15** Bolt the assembly together with four 5/16 x 2 3/4" bolts.



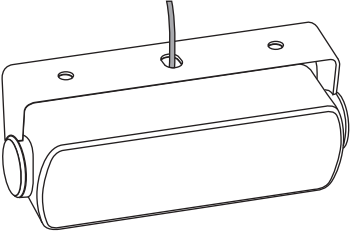
NOTE: Use 4 each of the 5/16" x 3" bolts when installing a light bar if your top plate is 3/4" or thicker.



# OPTIONAL ACCESSORIES

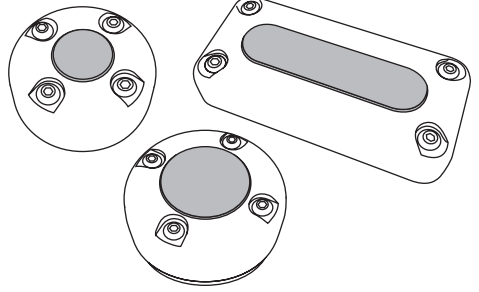
Call 800-655-7922 or visit [www.seaviewglobal.com](http://www.seaviewglobal.com) for available accessories.

## SPREADER FLOOD LIGHT KIT



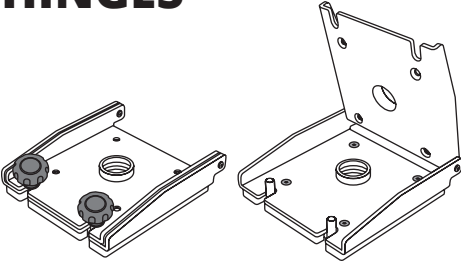
**SPLTLED**  
Flood Light Kit for Tapered Mast  
spreaders.

## CABLE SEALS



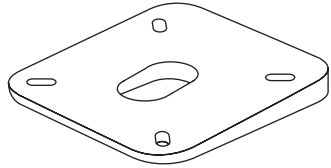
Seaview Cable Glands provide  
waterproof cable routing.

## HINGES



Seaview Hinge Adapters fold in any  
direction necessary for added height  
clearance.

## WEDGES

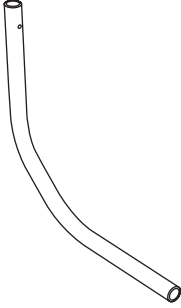


Compensates for plane angle.  
Available in 2, 4 or 6 degree wedges.

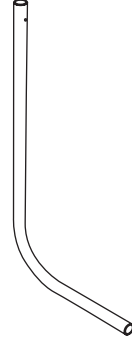
# OPTIONAL ACCESSORIES

Call 800-655-7922 or visit [www.seaviewglobal.com](http://www.seaviewglobal.com) for available accessories.

## LIGHT BARS

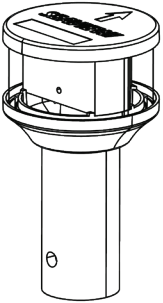


**LTBR**  
Fits closed dome radars.

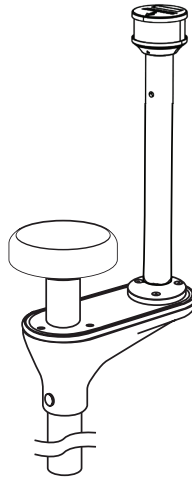


**LTBS**  
Fits 20" or smaller satdomes.

## LIGHT BAR TOPS



**LTBLED12**  
(White LED nav light)  
**LTBLED12BLK**  
(Black LED nav light)



**LTBU1ALED12**  
Light bar top with Seaview LED light  
on 12" post and 1-14 threads for GPS.

***THIS PAGE INTENTIONALLY LEFT BLANK.***

The background of the entire page is a light gray topographic map with white contour lines. The lines are irregular and wavy, representing elevation changes across a landscape. The map is centered and covers the entire area.

***SEAVIEW***///  
***ELEVATE YOUR ELECTRONICS***

***SEAVIEW***///

Tel: 800-655-7922  
[www.seaviewglobal.com](http://www.seaviewglobal.com)

***EUROPEAN OFFICE***

Tel: +33 4 94 53 27 70  
[www.seaviewprogress.com](http://www.seaviewprogress.com)