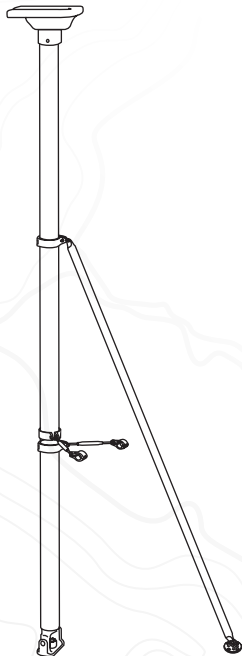


# **SEAVIEW**

**ELEVATE YOUR ELECTRONICS**



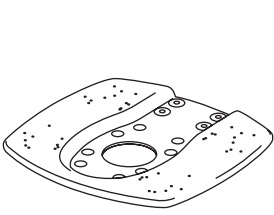
## **INSTALLATION INSTRUCTIONS**

For Seaview 48" Strut & 1" Rail Stand Off Pole Kit:

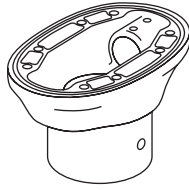
**RM8148**

Refer to website for most up to date instructions and videos.

**[WWW.SEAVIEWGLOBAL.COM](http://WWW.SEAVIEWGLOBAL.COM)**



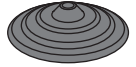
x1



x1



x1

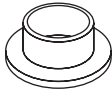


x1



1/4 - 20 x 1"

x2



x2



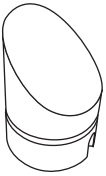
x2



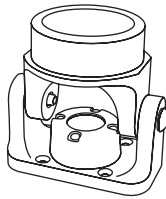
x1



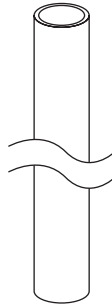
x1



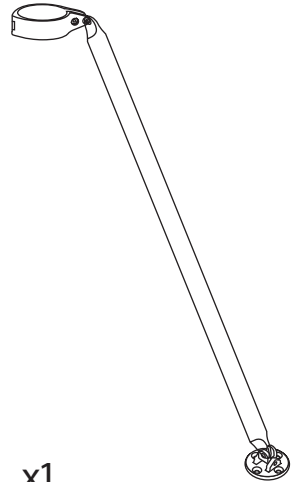
x1



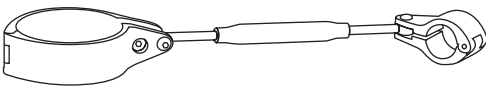
x1



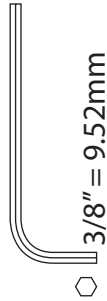
x1



x1



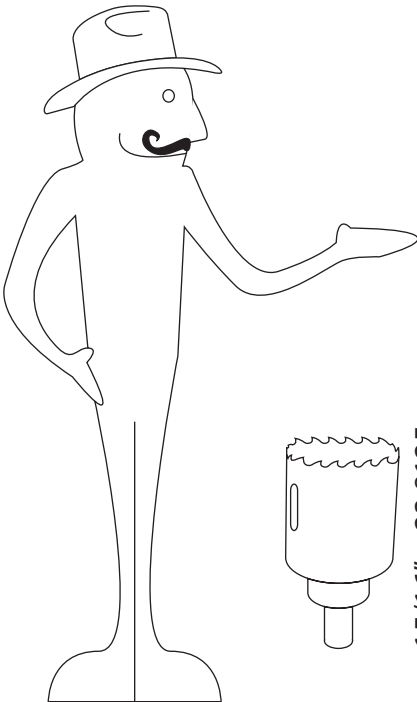
x2



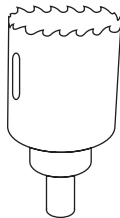
7/16" = 11.11mm



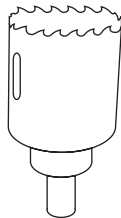
17/64" = 6.746mm



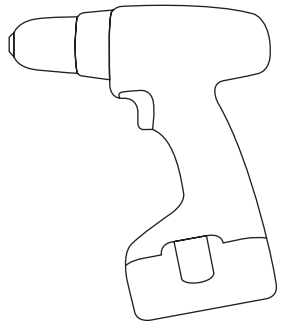
Sudbury Elastomeric Marine Sealant is recommended. To purchase call 800-655-7922 or visit [www.seaviewglobal.com](http://www.seaviewglobal.com)

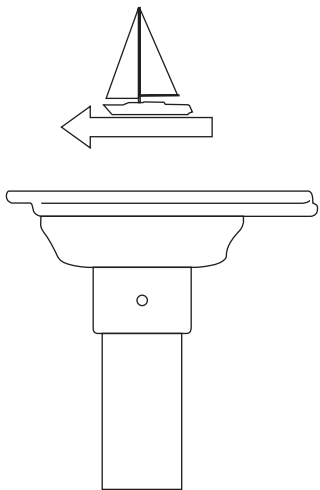


15/16" = 23.8125mm

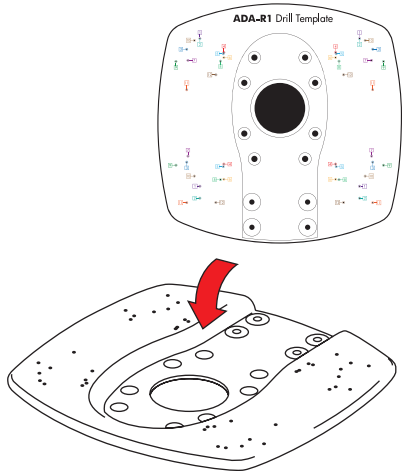


2" = 50.80mm

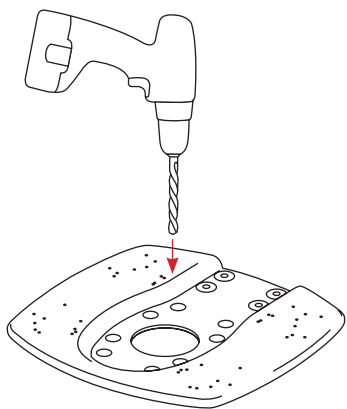




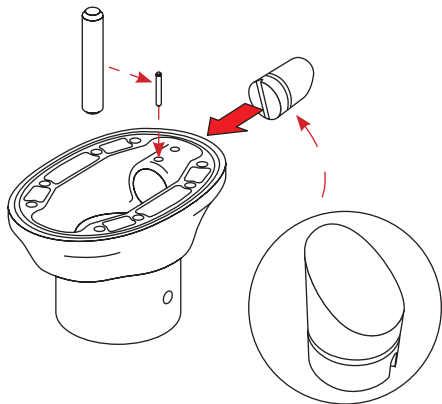
1



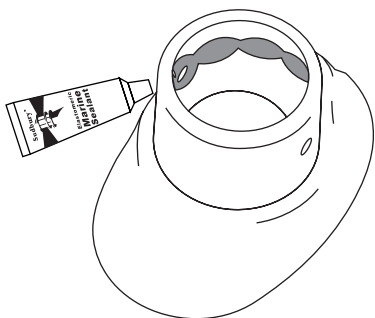
2



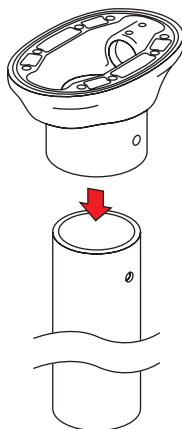
3



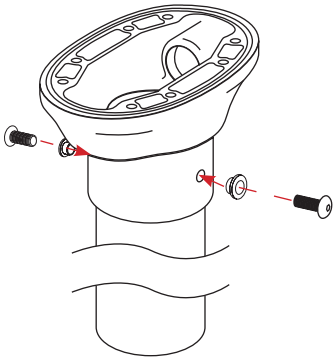
4



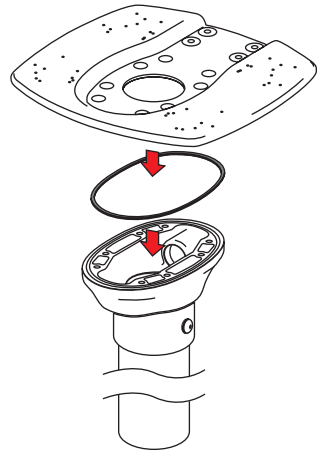
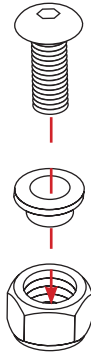
5



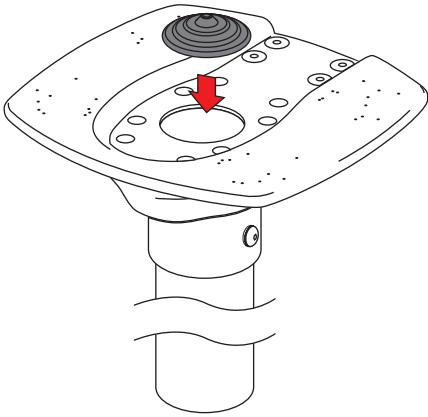
6



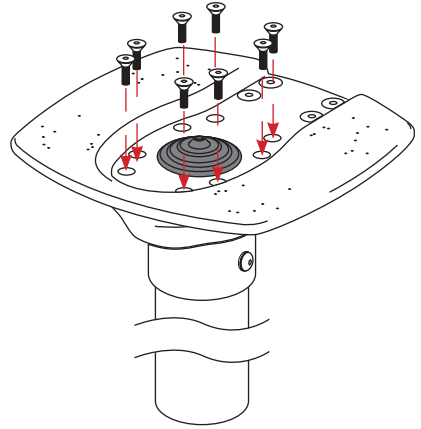
7



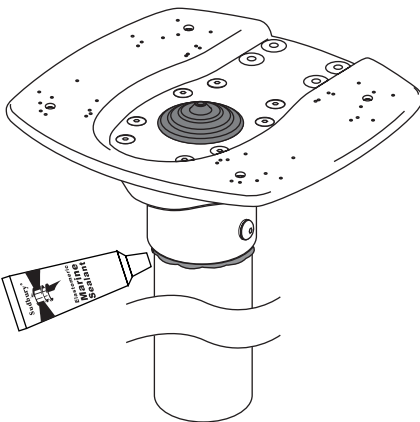
8



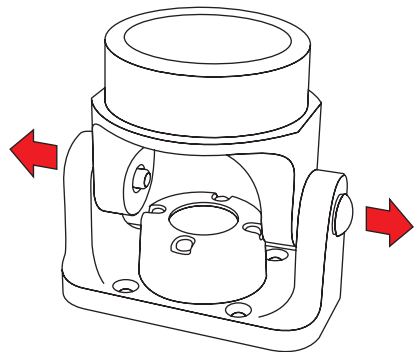
9



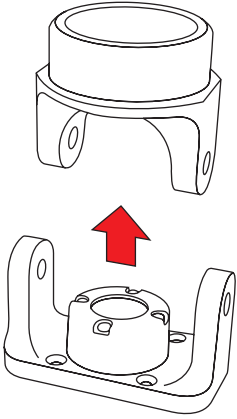
10



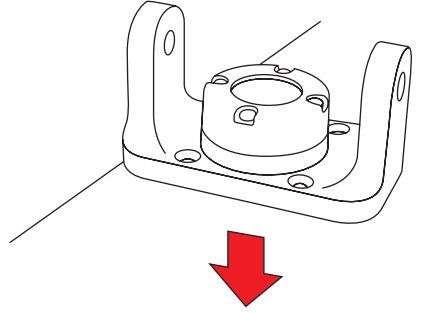
11



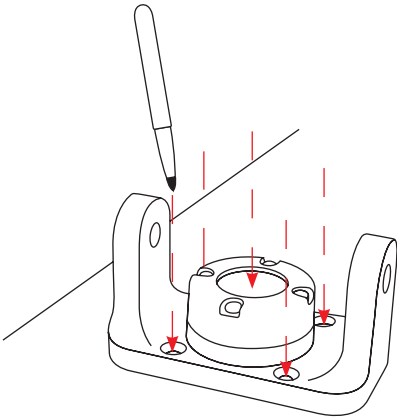
12



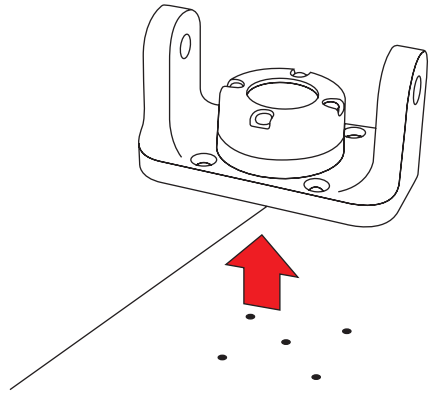
13



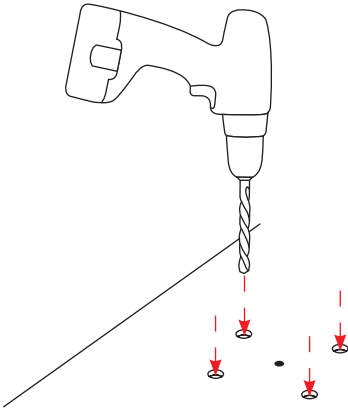
14



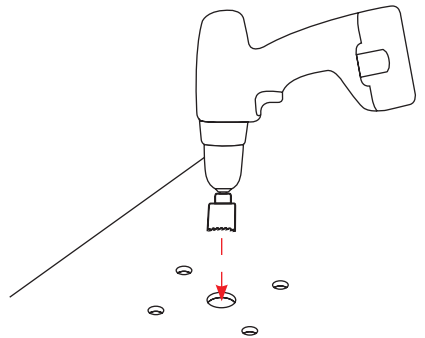
15



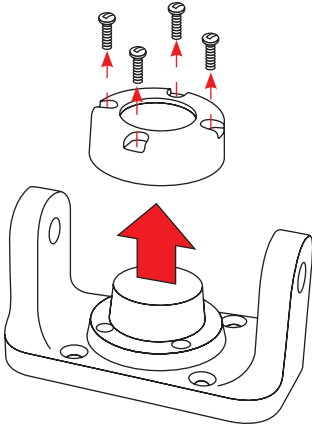
16



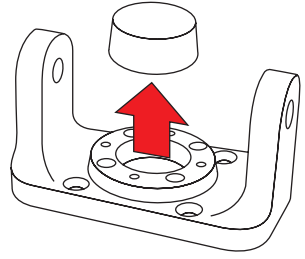
17



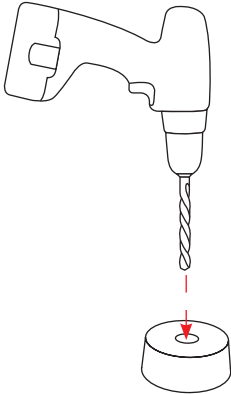
18



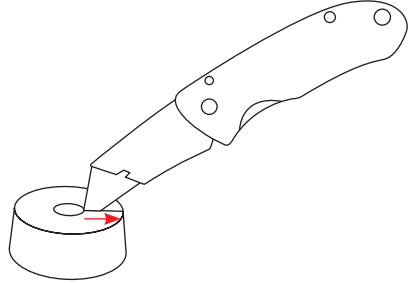
19



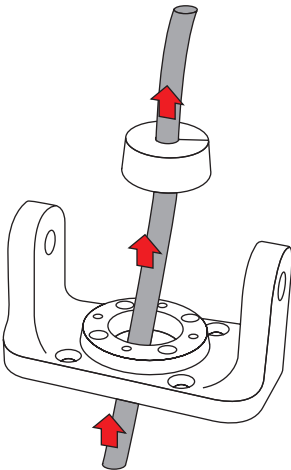
20



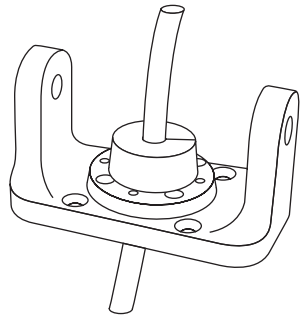
21



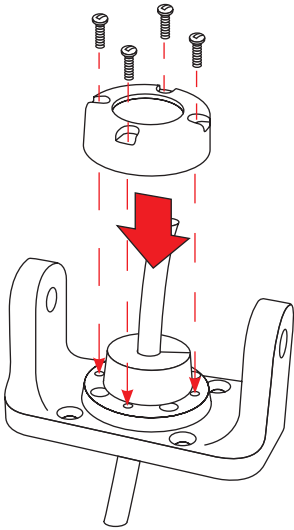
22



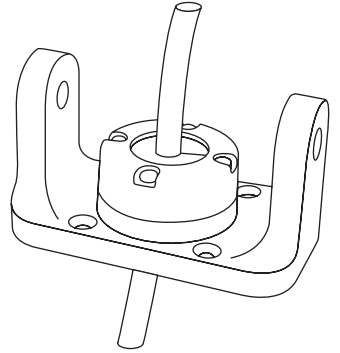
23



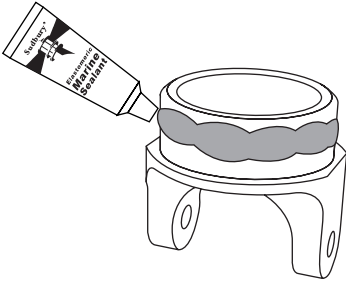
24



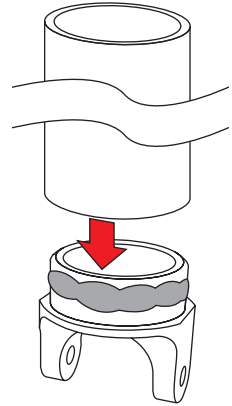
25



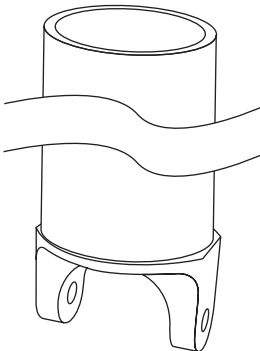
26



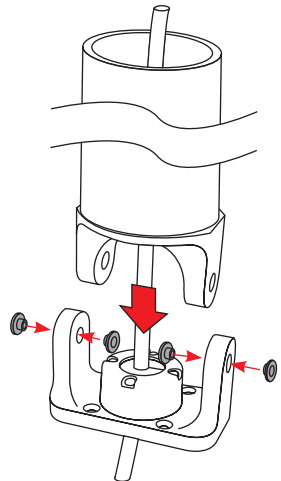
27



28

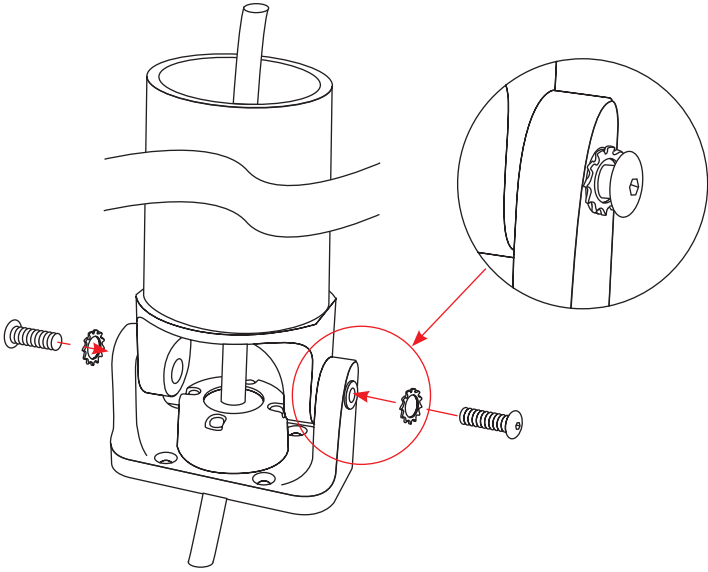


29

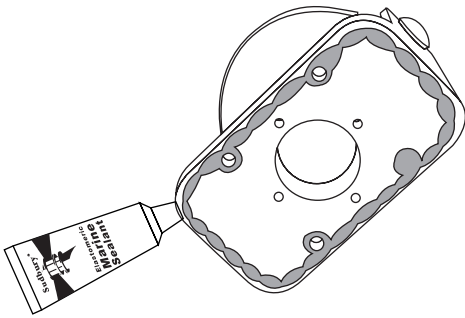




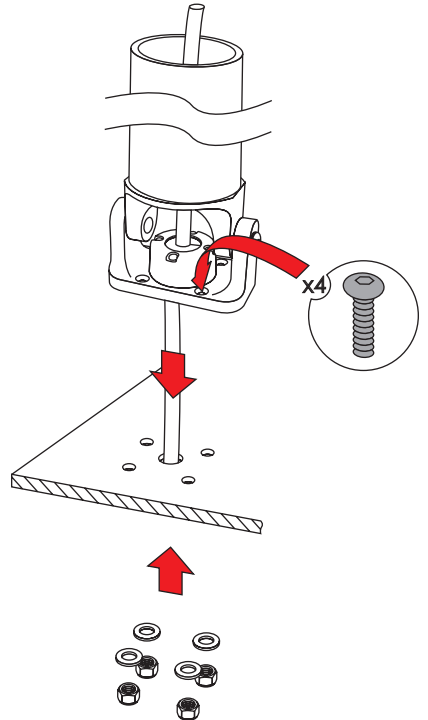
30



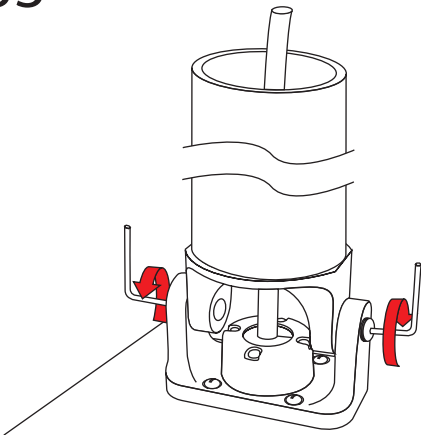
31



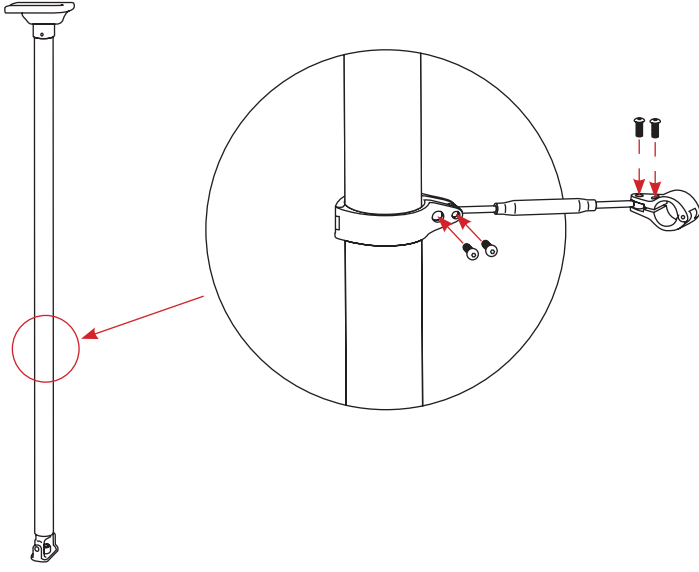
32



33

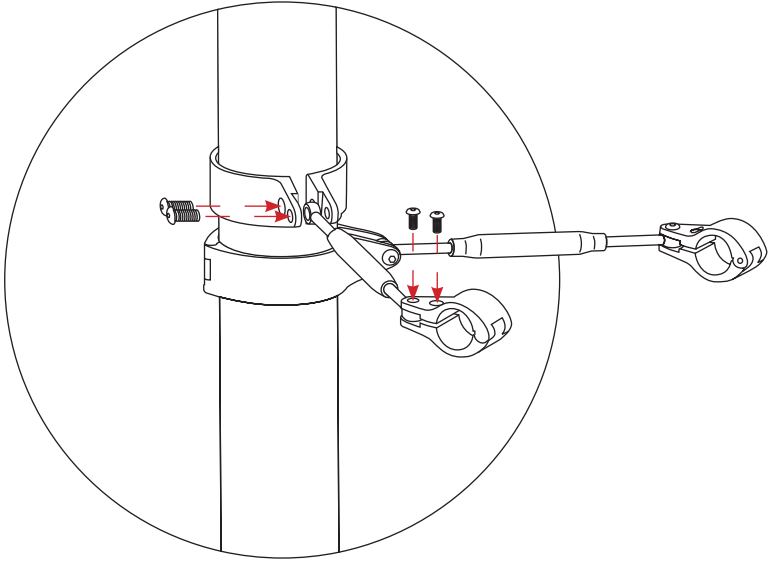


34

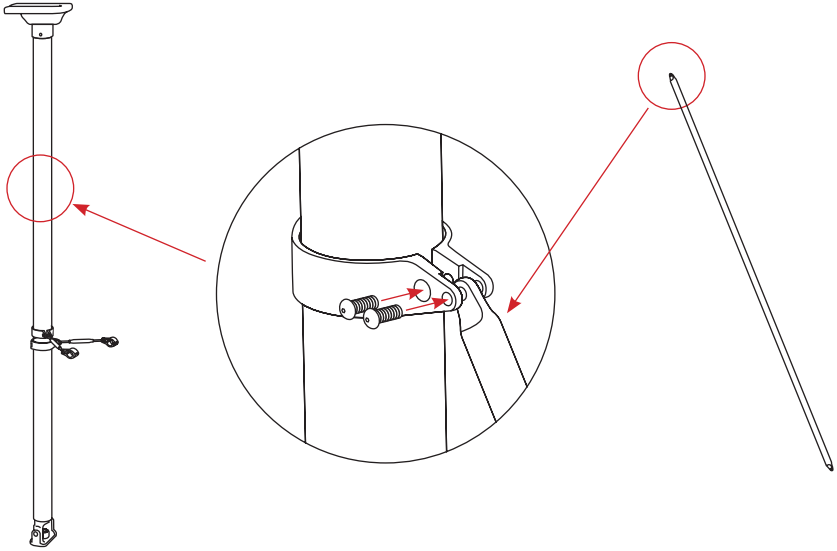


35

---

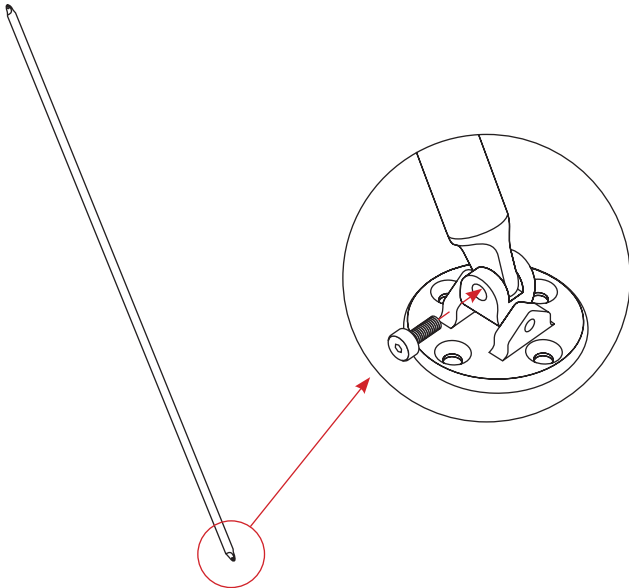


36



37

---



The background of the entire page is a light gray topographic map with white contour lines. The lines are irregular and wavy, representing terrain elevation. The map covers the entire page, with the text elements overlaid on it.

***SEAVIEW//***  
***ELEVATE YOUR ELECTRONICS***

***SEAVIEW//***

Tel: 800-655-7922  
[www.seaviewglobal.com](http://www.seaviewglobal.com)

***EUROPEAN OFFICE***

Tel: +33 4 94 53 27 70  
[www.seaviewprogress.com](http://www.seaviewprogress.com)