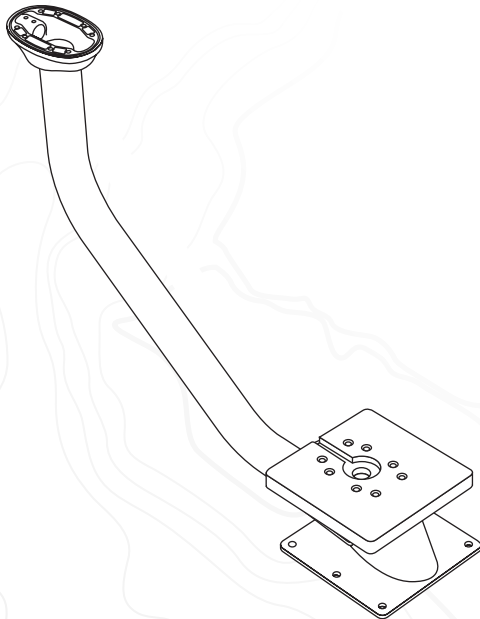


SEAVIEW

ELEVATE YOUR ELECTRONICS



INSTALLATION INSTRUCTIONS

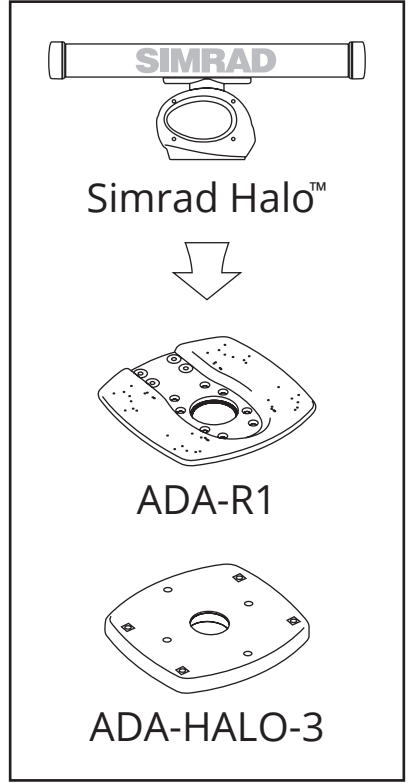
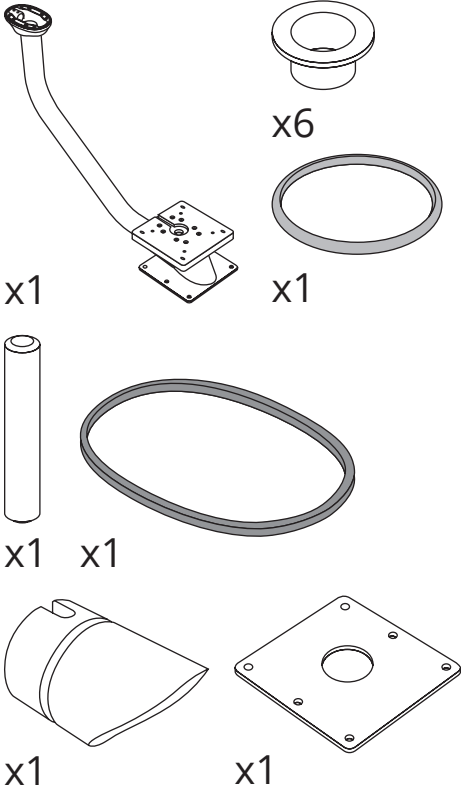
For Seaview Modular Dual Mount:

PMA-DM3-M1

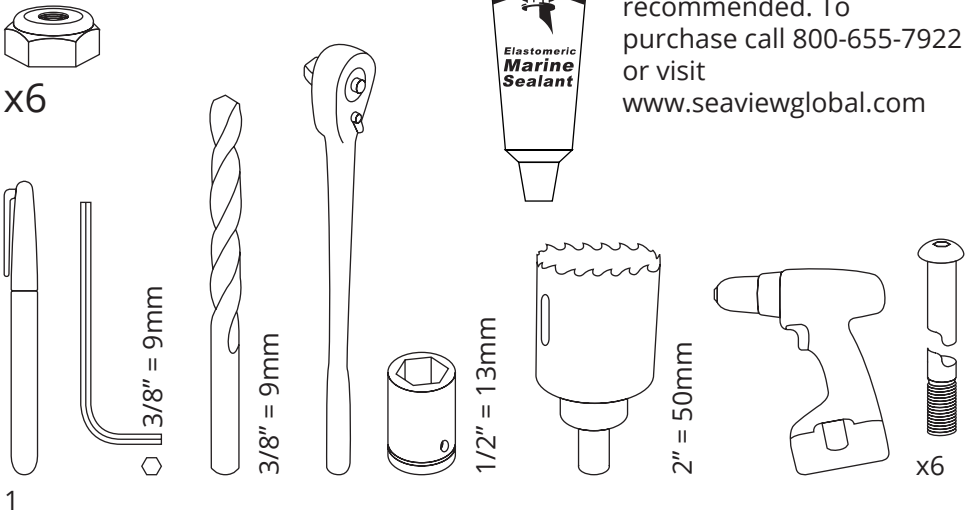
Refer to website for most up to
date instructions and videos.

WWW.SEAVIEWGLOBAL.COM

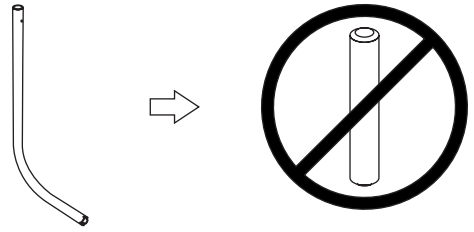
PARTS INCLUDED



TOOLS NEEDED

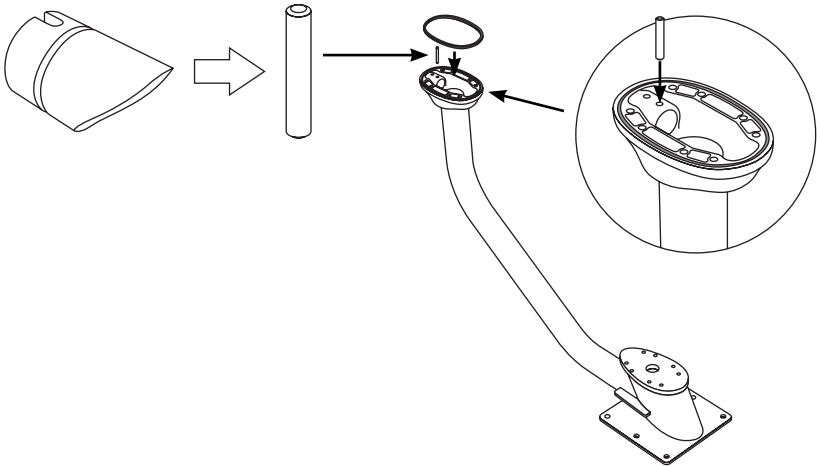


1 If you are using a Seaview Light Bar you do NOT use the pin.



2 If you are not using a Seaview Light Bar then insert the pin as shown below. Insert the white Light Bar Plug and o-ring into the Light Bar hole in the back of the mount. Make sure it clips onto the pin.

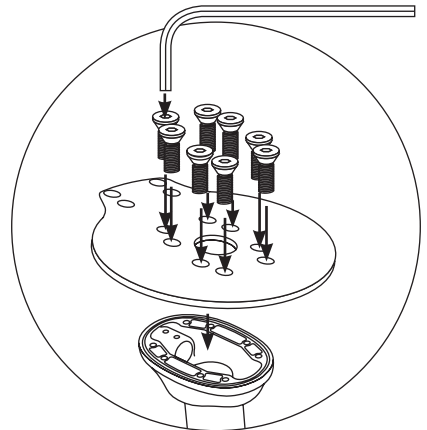
Place the rubber gasket onto the top of the Dual Mount as shown.



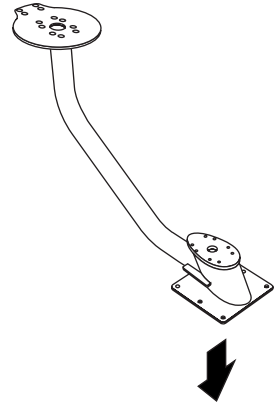
3 Mount the Seaview Modular Top Plate to the Dual Mount with the eight bolts that come with the Modular Top Plate.

Then insert the rubber cable grommet into the Modular Top Plate.

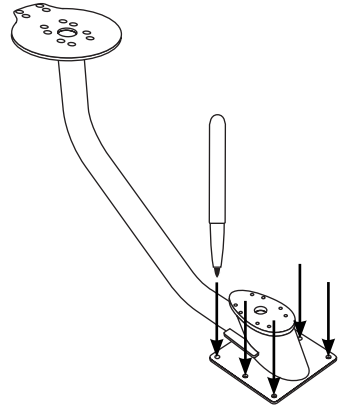
Refer to the provided Seaview Top Plate installation instructions for more information.



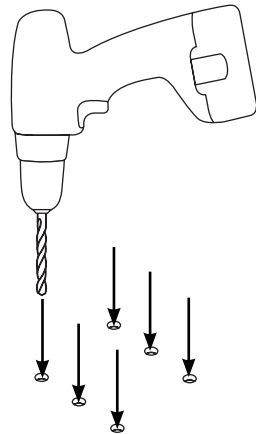
4 Place the PMA-DM3-M1 onto the mounting surface.



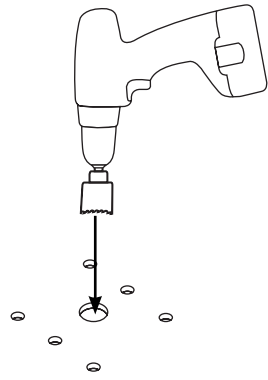
5 Mark the six base holes for drilling.



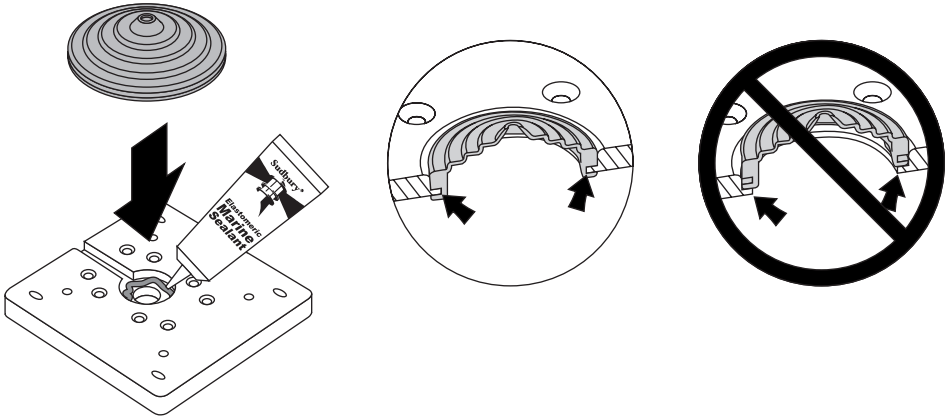
6 Remove the mount and drill the six bolt holes using a 3/8" drill bit.



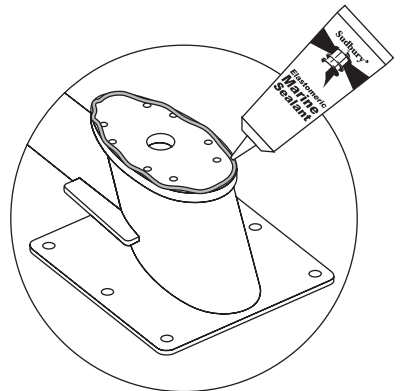
7 Using a hole saw, drill a hole for the cables.



8 Apply marine adhesive sealant along the lip in the center hole on the mounting plate. Be sure that the center lip falls into the groove in the grommet.

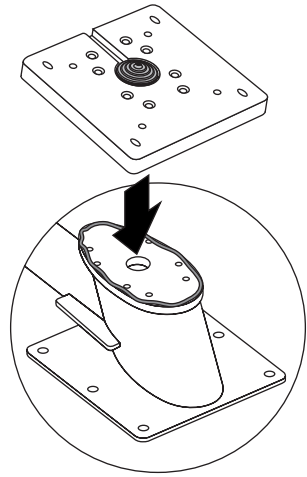


9 Apply marine adhesive sealant to the PMAD DM3-M1 as shown.



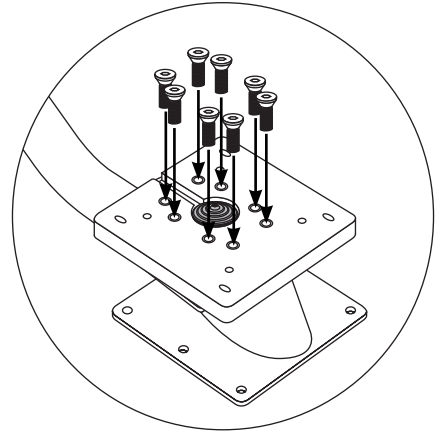
10

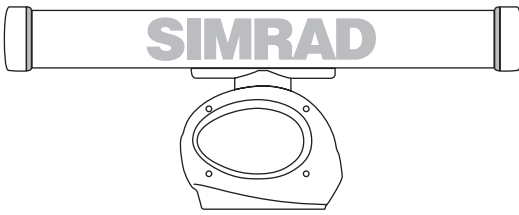
Place the radar Top Plate onto the PMA-DM3-M1 making sure that the eight bolt holes line up.



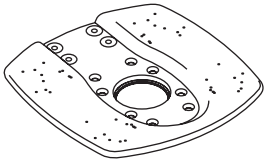
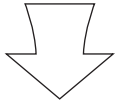
11

Secure the radar Top Plate to the PMA-DM3-M1 with the eight bolts.

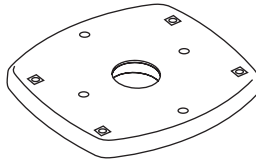




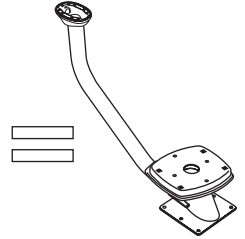
Simrad Halo™



ADA-R1



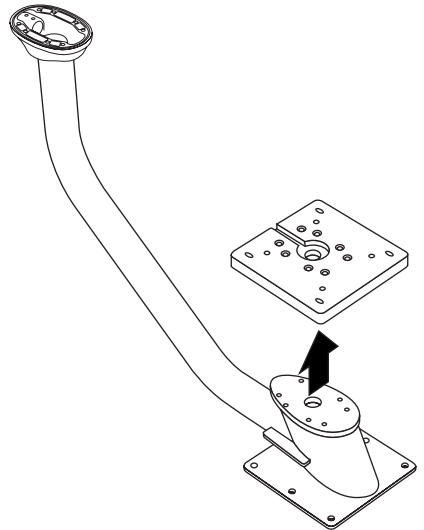
ADA-HALO-3



14 - 23

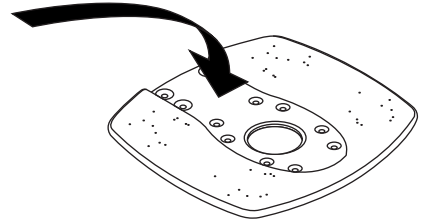
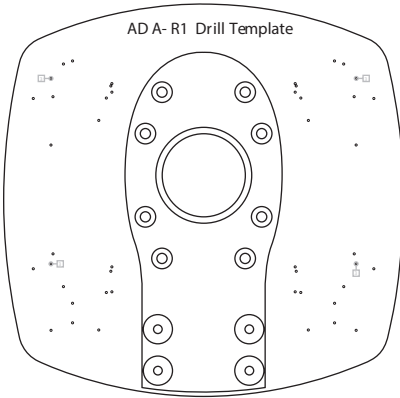
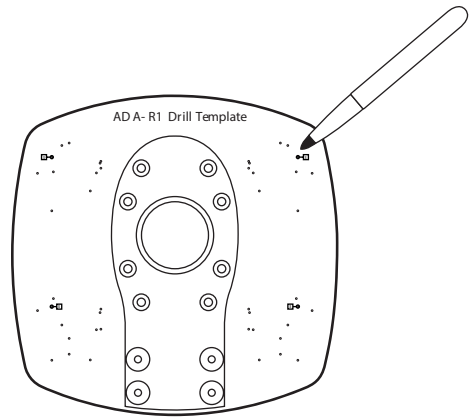
12

Remove the Top Plate as shown.



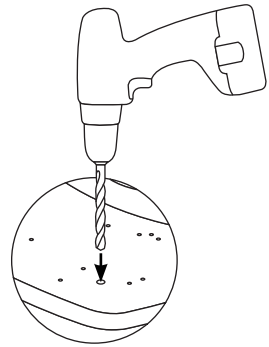
13

Place the ADA-R1 Drill Template on top of the Top Plate. Then mark the four holes marked #3.

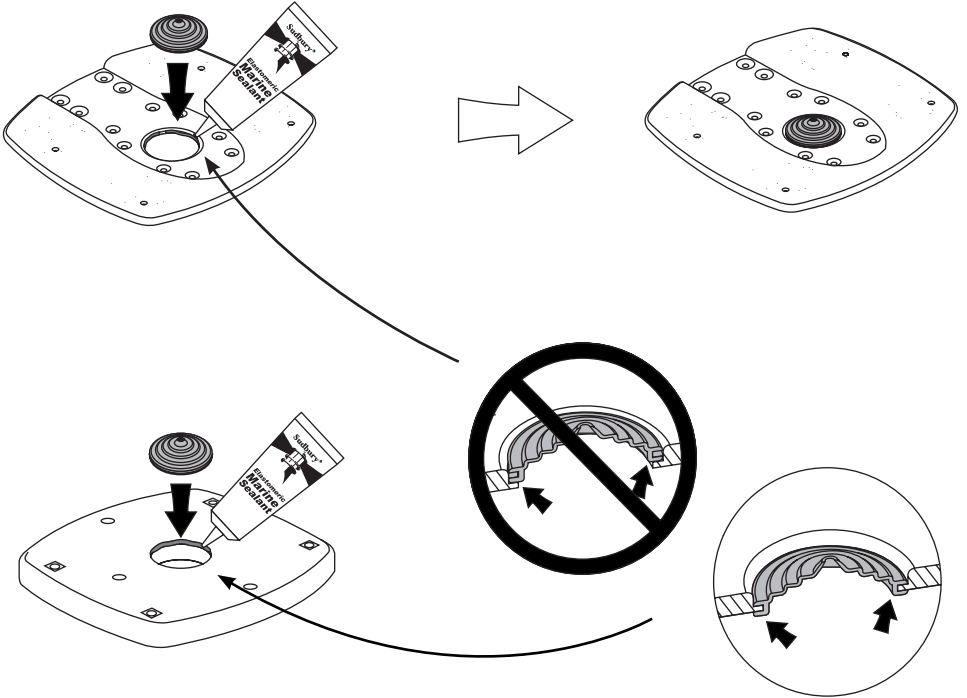


14

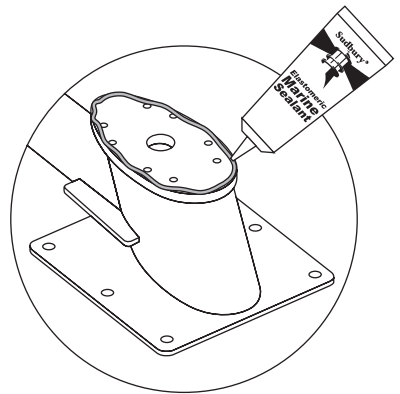
Drill the four holes you just marked.



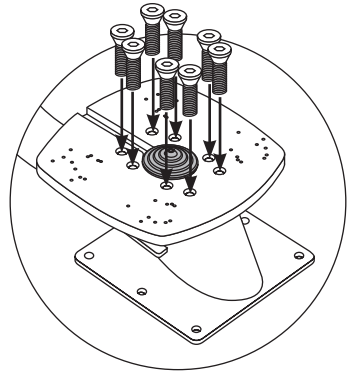
15 Apply marine adhesive sealant along the lip in the center hole on the Tope Plates. Route the cabling through the center hole in the Top Plates. Then insert through the black rubber grommet. When inserting the black rubber grommet into the Tope Plates be sure that the center lip falls into the groove in the grommet.



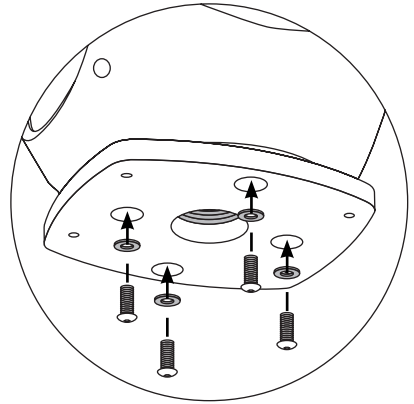
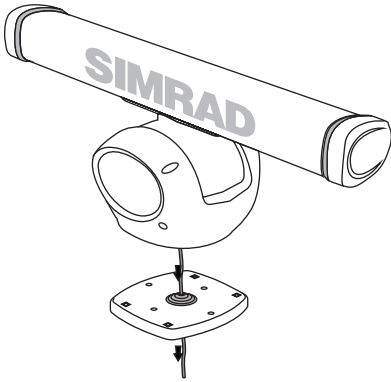
16 Apply marine adhesive sealant to the PMAD DM3-M1 as shown.



17 Secure the radar Top Plate to the PMA-DM3-M1 with the eight bolts.

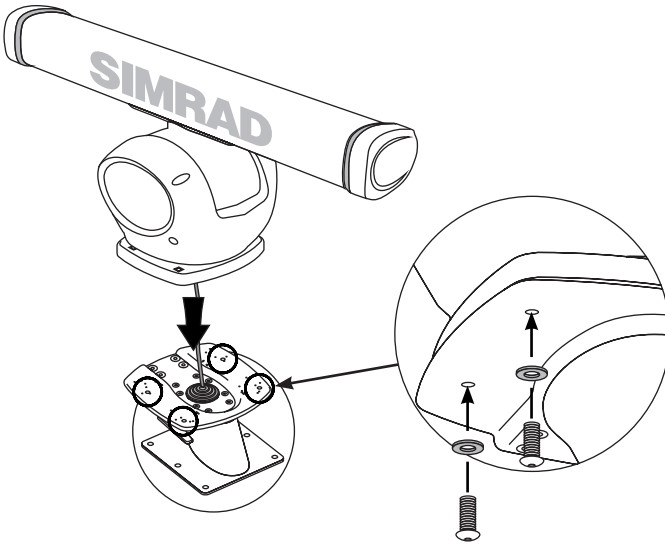


18 Route the cables from the Simrad Halo through the rubber grommet.
Secure the plate to the Simrad Halo using the hardware that came with the unit.



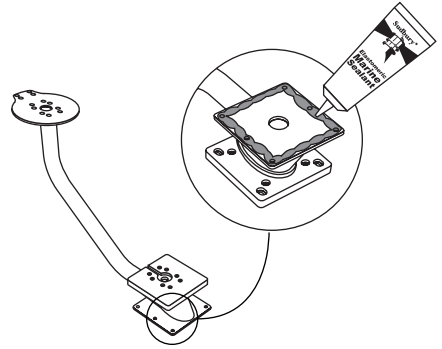
19

Secure the assembly to the ADA-R1 Top Plate.



20

Apply marine adhesive sealant to the bottom of the mount.

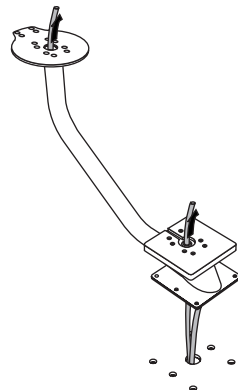


21

Route the cables through the mount.

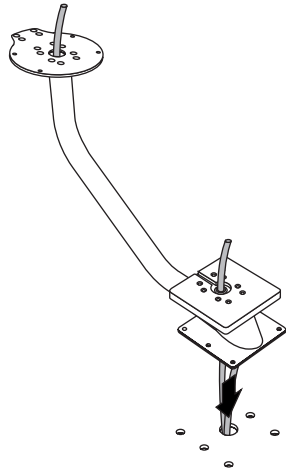
TIP

Place the connector of the cable into a plastic bag. Apply Vasoline to the exterior of the plastic bag. Then try routing the connector/ cable through the black rubber grommet.



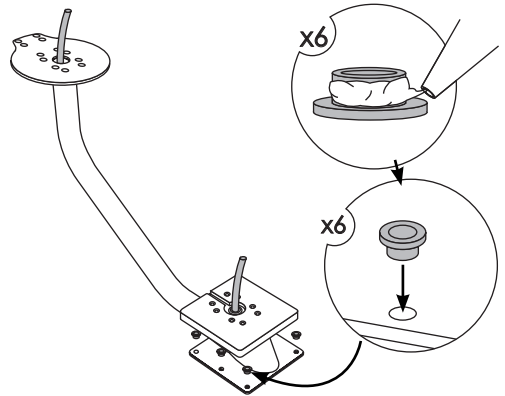
22

Lower the mount onto the mounting platform. Be sure to line up the mount with the six bolt holes you previously drilled.



23

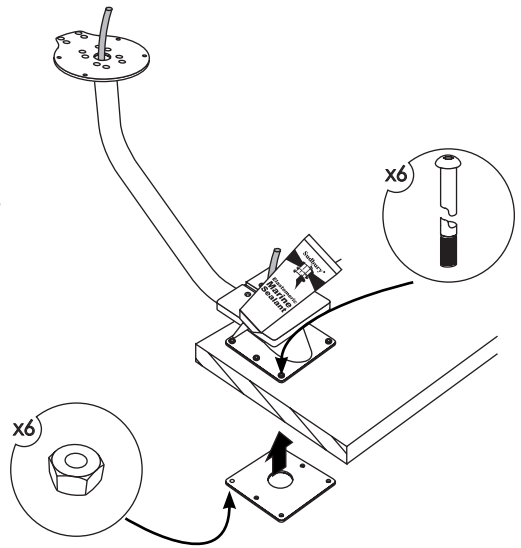
Apply marine adhesive sealant to the six nylon shoulder washers and insert them into the six bolt holes on the base.



24

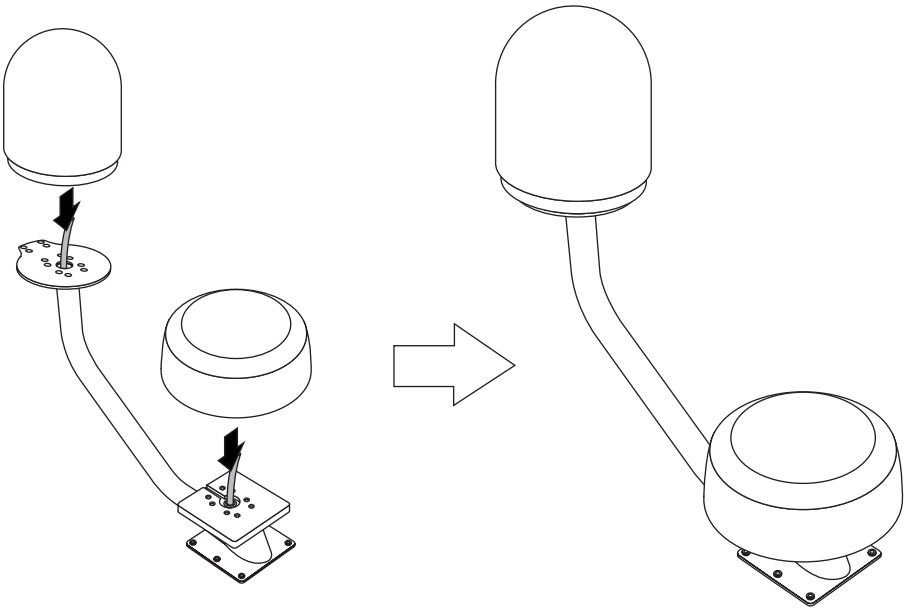
Use the provided backing plate. Apply marine adhesive sealant to all bolt holes.

Then secure with your own hardware.



25

Mount and secure all electronics with your own mounting hardware.



The background of the entire page is a light gray topographic map with white contour lines. The lines are irregular and wavy, representing elevation changes across a landscape. The map is centered and covers the entire area.

SEAVIEW///
ELEVATE YOUR ELECTRONICS

SEAVIEW///

Tel: 800-655-7922
www.seaviewglobal.com

EUROPEAN OFFICE

Tel: +33 4 94 53 27 70
www.seaviewprogress.com

1-010819