

TACO Marine® Grand Slam Mounts

GS-280 / 2801 Outrigger Mount

INSTALLATION INSTRUCTION GUIDE



KIT CONTENTS

2 Grand Slam 280 mounts or
Grand Slam 2801 mounts

8 Rotator Handles

8 Vinyl tubing spacers

8 5/16" x 18" x 1" bolts*

8 5/16" x 18" hex nuts

8 Nylon washers &
stainless washers

4 Hex bolt for rotator handle

* Because of various boat brand's top thickness, different length fasteners may be required.

Required*

*not included

- POWER DRILL WITH 5/16" DRILL BIT
- 3/16" ALLEN WRENCH
- 1/2" CRESCENT WRENCH
- MARINE-GRADE SEALANT
- MARINE-GRADE GREASE OR ANTI-SEIZE
- VINYL SPACERS

TACO[®]

Handy Tips

GS-280/2801

Thank you for purchasing the TACO Marine Grand Slam 280 or 2801 Outrigger Mount! As a family-owned and operated business since 1959, we take pride in offering the highest-quality, innovative products with excellent customer service. We stand behind our products 100 percent. If you have any questions about this mount or installation, please contact us by visiting tacomarine.com/contactus.

INSTALLATION NOTES

CANVAS TOP

- It is very important that your mounting surface for the Grand Slam (i.e., T-top, Arch or Hardtop), be suitably constructed to provide a strong mounting area for your outrigger base. It is recommended to use TACO Marine's weld-on Grand Slam extrusion plates (sold separately) [GSE-1939].
- These plates are pre-drilled and ready to install the Grand Slam. If you already have a plate, it should be at least 3/8" thick and 5" wide, with 3-4 welded seams to be used to accommodate the 6" length of the units' base from bow to stern.
- When installing the Grand Slam through canvas, simply cut an X over the 3-1/8" hole. Install and bolt down the Grand Slam, then trim off the excess canvas.

HARDTOP

When installing through a hardtop, verify the top is foam or core filled. It is recommended to use included spacers (small lengths of tubing cut to size) to fit inside where the mounting bolts pass through to ensure that when the bolts are tightened the top is not compressed.

-
- Backing plates are available for extra strength and recommended when mounting through a hardtop (part #BP150BSY-320-1).
 - When installing your Grand Slam, locate the center of the 3-1/8" hole at least 9-1/2" from the hardtop frame, vertical post, or any other object that might hinder the movement of the handle.
 - If the top has an arch to it, wedge plates can be ordered to keep the Grand Slams upright and straight (part #WP-150WHA-1).
 - The GS-280 and GS-2801 mounts are a pair of Port and Starboard units. When installing, the upward rotation knob needs to face outboard for easy access.
 - When installing the handle, make sure it first goes through the larger hole (the one that is shaped like the opening of a doghouse). If reversed, the unit will fail to rotate.

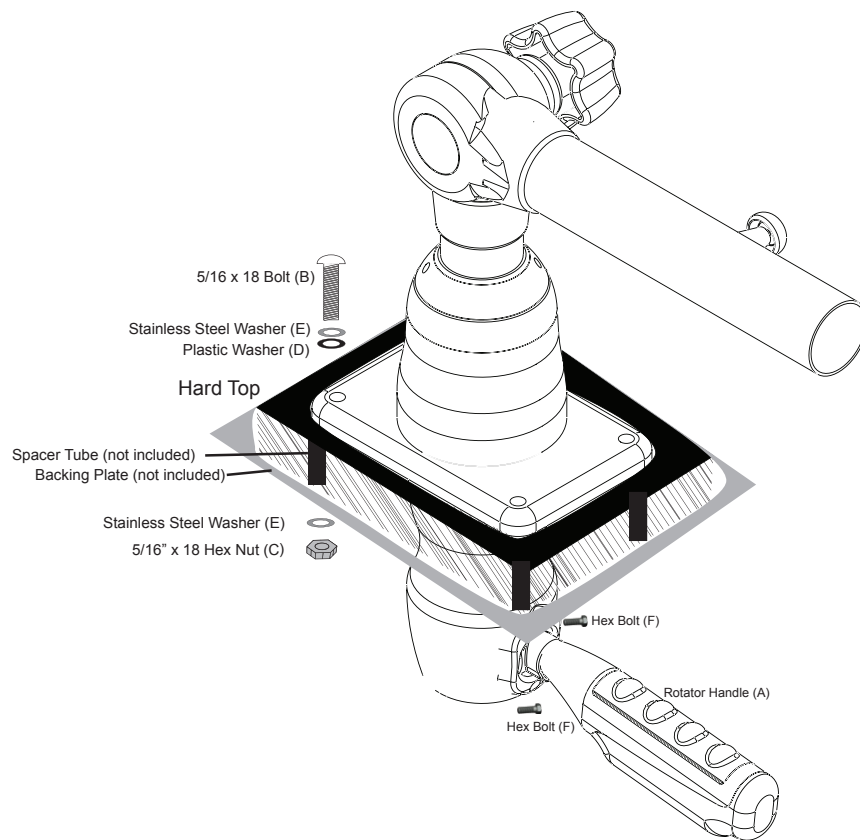
INSTALLATION

HARDTOP

Always use high-quality, stainless-steel hardware when mounting the base. Do not attempt to weld the base to any surface.

1. If you have a foam or core-filled hardtop make sure its thickness does not exceed 3".
2. The starting, or at-rest position of the outrigger is facing aft. The handles of the Grand Slam are set in the same position at the factory. If you require a different handle starting position, instructions on how to change them are in steps 13-17.
3. Select the mounting location of the Grand Slam mount, keeping in mind that the center of the 3-1/8" hole on the Grand Slam must be a minimum of 9-1/2" away from any object in the direction the handle will rotate from the starting position you choose.
4. After determining the proper location for the 3-1/8" hole mark the center of the hole and either drill up from underneath the hardtop with a 3-1/8" hole saw, or drill a small hole through the hardtop and then drill down with the 3-1/8" hole saw.
5. Insert the Grand Slam unit into the hole with the outrigger arm laying down in the horizontal position facing aft. You want to make sure that the base is straight before drilling the four (4) mounting holes. It is easier to tell if the base is straight if you place an outrigger in the tube and have someone observe it from the stern.
6. Mark the hardtop through each of the four (4) mounting holes on both units, then remove the units to drill the mounting holes.
7. For a solid fiberglass hardtop, drill each hole with a 5/16" drill bit.
8. Put a bead of silicone on the underside of the footprint of the Grand Slam units around the lower body and around each mounting hole and insert them into the 3-1/8" holes.
9. Install the four (4) mounting bolts through the Grand Slams, through the hardtop and through the backing plate on the underside of the hardtop, install the washers and nuts and tighten the nuts while someone holds the screws with an Allen wrench.
10. For a soft-core or hollow-core hardtop, drill each hole with a 7/16" drill bit. Measure the thickness of the hardtop and, if needed, cut optional spacers (not included) to the necessary length. **See Figure 1.**
11. Put marine-grade sealant on the underside of the footprint of the Grand Slam units around the lower body and each of the mounting holes and insert the GrandSlams into the 3-1/8" hole.

FIGURE 1



12. Install the four (4) mounting bolts through the Grand Slams, then, if included, slide the spacers up from the underside. Next, install the backing plate, washers and nuts and tighten the nuts firmly, but do not overtighten. Spacers should prevent you from compressing the hardtop.
13. To change the position of the handle remove the two (2) hex head screws from the handle with an Allen wrench and pull the handle out.
Note: you can get to the top screw easier if you pull down on the handle and move it so it is in-between positions.
14. Pull off the plastic logo cap and up inside the unit you will see a bolt head. With a ratchet, extension and a 9/16" socket, loosen the bolt counter clockwise five (5) complete turns.
15. Insert the handle but do not screw it in. Above the hardtop the adjusting knob should be facing outboard. If the knob is inboard, flip the outrigger holder arm over to the other horizontal position, then pull down on the handle and rotate it until the outrigger holder on top is facing aft.
16. Someone else should stand on the gunwale and pull up on the outrigger holder and hold it steady while the person below rotates the handle to the desired starting position.
17. Now re-install the hex head screws and plastic cap. The installation now complete.

INSTALLATION

SOFT TOP

1. To find the proper location of the mounting plate keep in mind that the handle of the GS-280 and 2801 requires 9-1/2" of clearance from the center of the 3-1/8" hole in order to rotate the outrigger 90° from facing aft to the outboard position. The handle positions can be changed on this model.
2. If you are going to weld your own mounting plates to the frame, unlace the canvas and remove any wires that may be inside the tubing of the brace bars and the T-Top frame where you are going to weld. If you are using one of our weld-on or clamp-on plates, steps 3 and 4 have been done for you. If you are using our clamp-on plate it is not necessary to unlace the canvas.
3. If you are having plates made, they should be 3/8" thick by 5" wide and long enough to fit between the brace bars. When drilling the holes, it is best to cut the 3-1/8" hole and drop the GS-280 into the hole and mark the location of the four (4) mounting holes right through the holes in the unit. When determining where to place the 3-1/8" hole in the plate, refer to step 1.
4. Weld the plates to the frame and brace bars. The mounting plates should be welded on three (3) sides.
5. Reinstall the lacing on the canvas.
6. With a razor knife, cut an X in the center of the canvas through the 3-1/8" holes in both of the aluminum mounting plates. Then cut each of those triangular pieces in half so you now have eight (8) flaps of canvas going down through the hole in the plate.
7. The Grand Slam pair come with the outrigger tube facing the same direction as the hole for the handle. If this is the handle position you want, one of the units will be ready to drop right in with the upper adjusting knob facing outboard and the outrigger tube facing aft along with the handle opening you will need to install into.
8. On the underside of the Grand Slam put a bead of Silicone around all (five) 5 holes of the unit and place on top of the canvas directly over the holes in the plate, insert the bolts and tighten with a 3/16" Allen wrench and reinstall the handle.
9. Re-install the handle but do not screw it in. Pull down on the handle and rotate it until the outrigger holder on top is facing aft with the adjusting knob facing outboard. You may have to flip the outrigger holder over to the other horizontal position to accomplish this.
10. Someone else should stand on the gunwale, and pull up on the outrigger holder. The person below can now rotate the handle to any desired position. If the handle does not rotate, pull the handle out and loosen the bolt one more complete turn and try again.
11. Now re-install the hex head screws and plastic cap and the installation is complete.

OPTIONAL BACKING PLATE

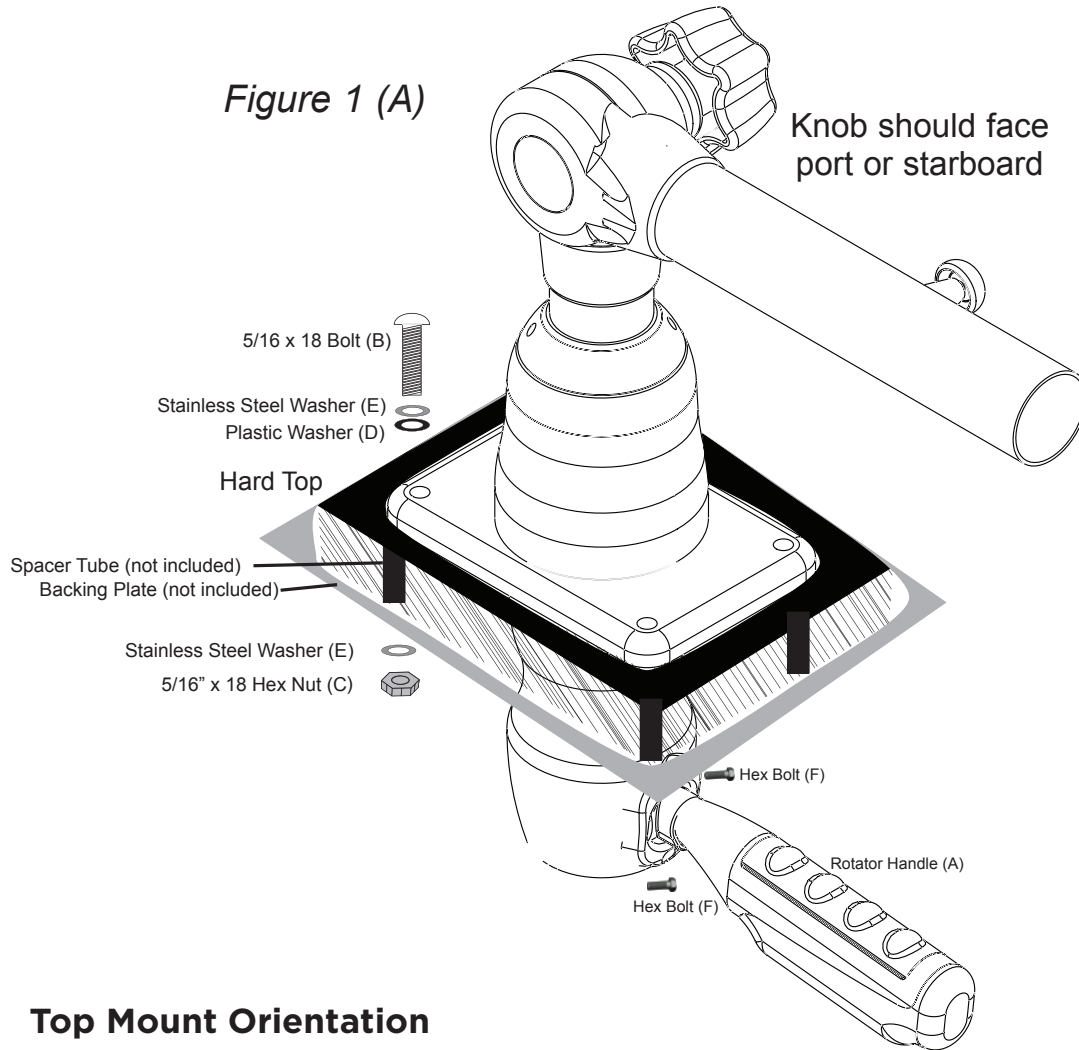
GSE-1939BXY30-1



NOTE:

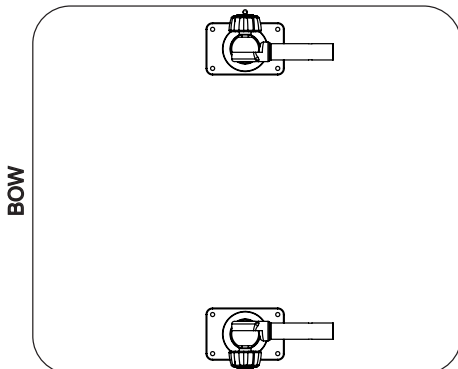
Place bead of marine-grade sealant around hole in mounting plate.

TECHNICAL SPECS



Top Mount Orientation

Mount orientation on top with locking pin facing outboard



LOOSENING BASE MAINTENANCE

If the 9/16" bolt on your GS-280 or GS-2801 loosens, please follow these steps to tighten the base.

- Remove the two hex head screws from the handle with an Allen wrench
- Remove the handle
 - NOTE: you can get to the top screw easier if you pull down on the handle and move it so it is in-between positions
- Pull off the plastic logo cap on the bottom of the unit
- Inside the unit there is a bolt head
 - Use a ratchet, extension and a 9/16" socket
 - Tighten the bolt clockwise about five turns

NOTE - Add a small amount of red Loctite to the threads of the bolt as well
- Once tightened,
 - Reinstall the cap,
 - Reinstall the rotation handle using the same screws that were removed



How to use

When fishing with the Grand Slam 280 or 2801, easily raise and lower outrigger poles by turning the knob on the outboard side of each mount, which will loosen for manual adjustment and then tighten to secure the outrigger position. For going under bridges, trailering or storage, we recommend lowering the outriggers to ensure they don't get damaged.

How to clean

Always use a mild, non-abrasive soap and fresh water. Thoroughly wash the aluminum with a soft towel or sponge to remove dried salt crystals and other contaminants. Rinse completely with fresh water.

Safe Cleaners

Mild dish washing liquid, specialty marine cleaners:

Sea Safe Boat Wash, Boat Wash Concentrate and Super Suds.

Safe marine lubricants:

CRC Corrosion Inhibitor, Corrosion Block and Get Some Extreme.

Harmful Cleaners

Bleach (Clorox, etc.) and mild abrasive cleaners:

Ajax, Comet, Soft Scrub, Rubbing Compounds, etc.

Strong cleaners:

409, Engine Degreasers, etc.

Acids of any type:

Such as Muriatic, naval jelly or aluminum acid.

Need Support?

Contact Us



1.800.653.8568



support@tacomarine.com



tacomarine.com



50 NE 179th ST
Miami, FL. 33162



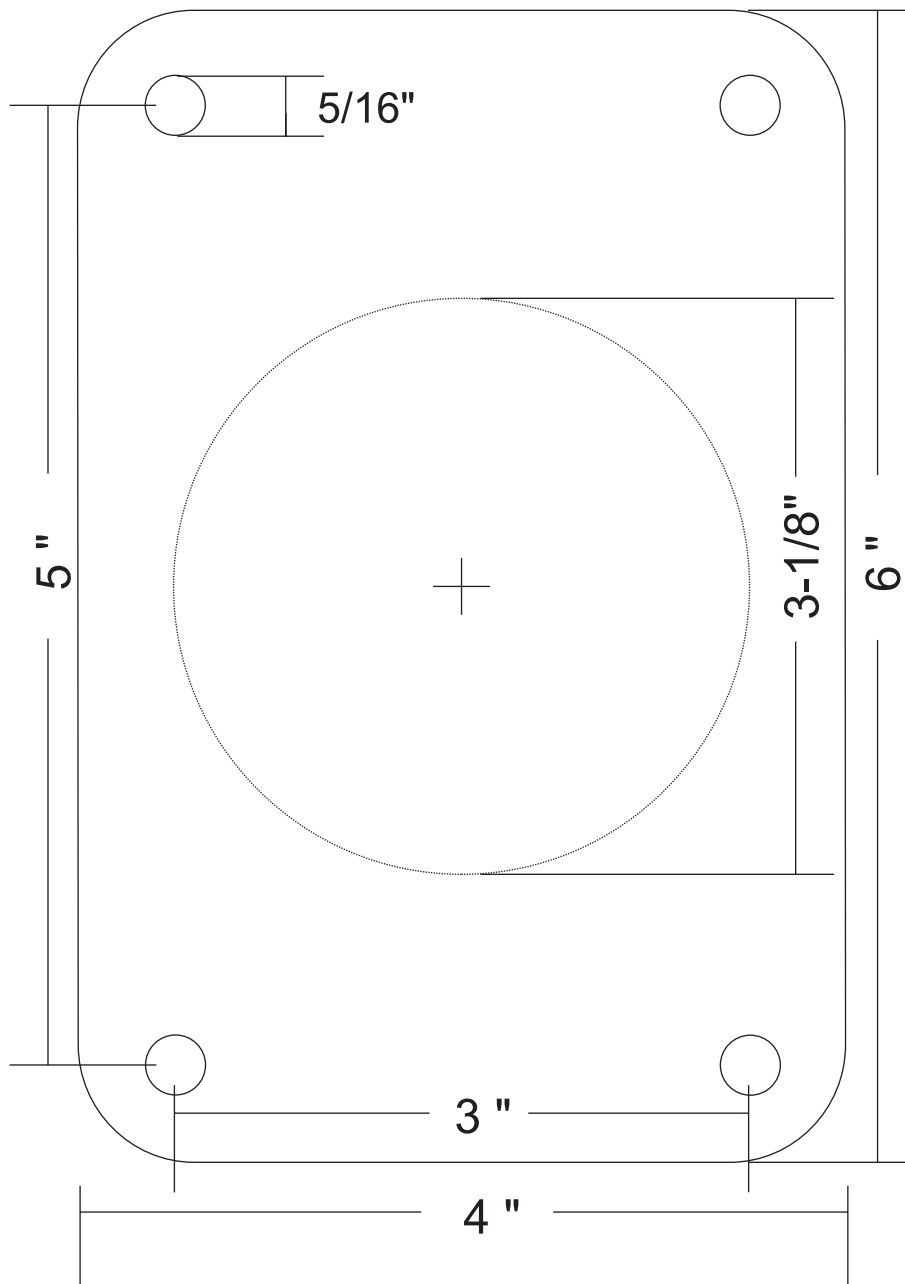
@tacomarine



@taco_marine

TACO Marine®

GS-280/2801 Drill Template



Please print at 100 percent for accurate sizing. Slight scaling may still occur. Therefore, before drilling, it is recommended that all template dimensions be measured for accuracy.

TACO[®]
MARINE

INSTRUCT-GRANDSLAM280