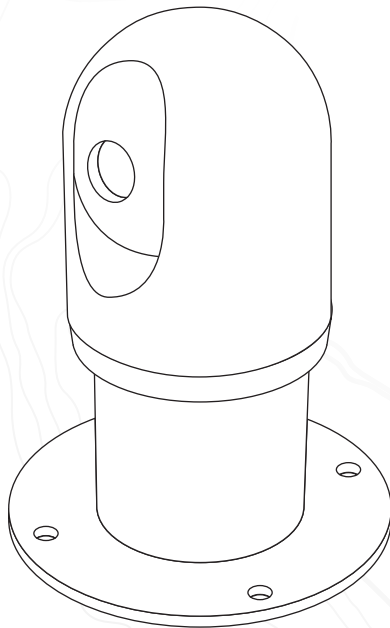


# **SEAVIEW**

**ELEVATE YOUR ELECTRONICS**



## **INSTALLATION INSTRUCTIONS**

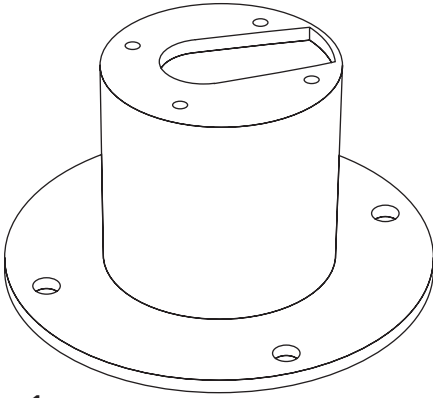
For Seaview Camera Mount:

**PM5-FMD-8**

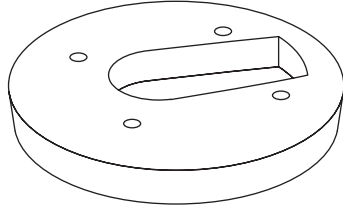
Refer to website for most up to  
date instructions and videos.

**[WWW.SEAVIEWGLOBAL.COM](http://WWW.SEAVIEWGLOBAL.COM)**

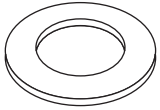
# PARTS INCLUDED



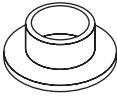
x1



x1



x4



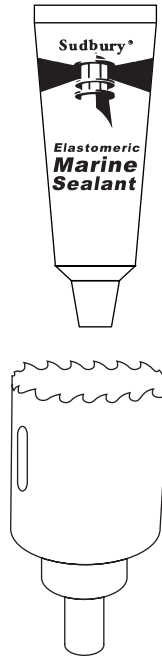
x4

---

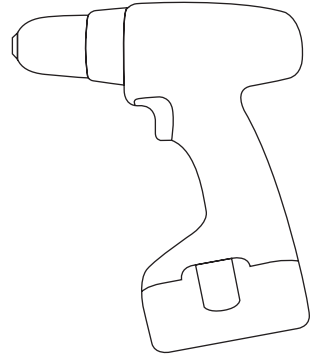
# TOOLS NEEDED



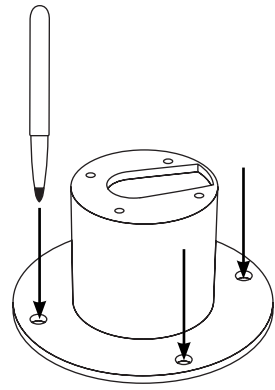
1



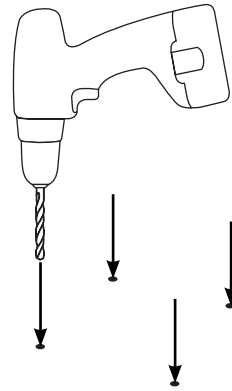
Sudbury Elastomeric Marine Sealant is recommended. To purchase call 800-655-7922 or visit [www.seaviewglobal.com](http://www.seaviewglobal.com)



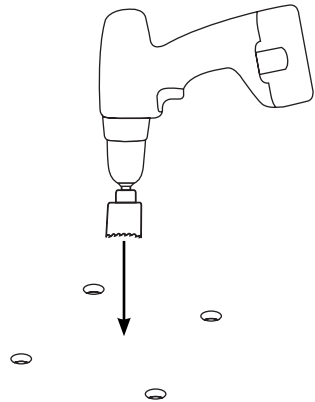
**1** Mark the four base holes for drilling.



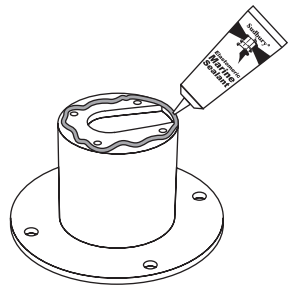
**2** Drill the four holes.



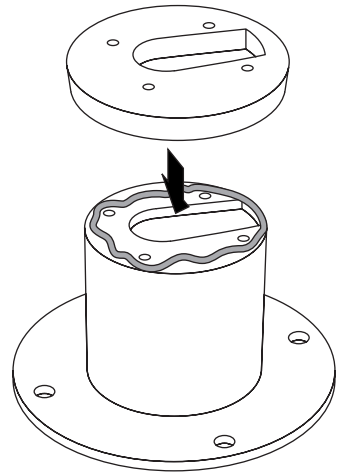
**3** Using a hole saw, drill a hole for the cable.



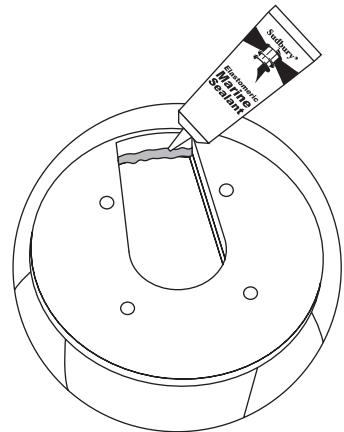
**4** Apply marine adhesive sealant to the top of the mount as shown.



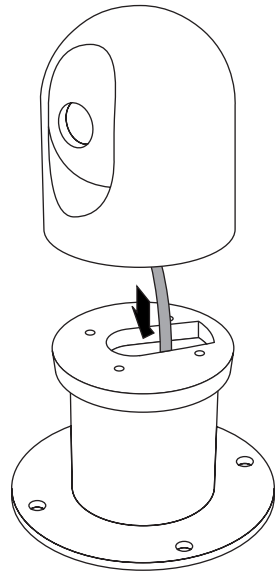
**5** Place the adapter plate onto the mount making sure that the four mounting holes line up.



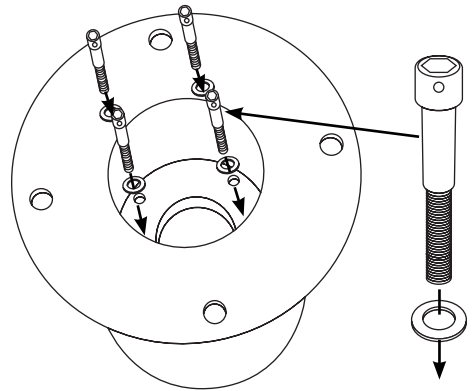
**6** Apply marine adhesive sealant to the inner edge of the adapter plate as shown.



**7** Route the cables through the center channel and mount the camera to the adapter plate.



**8** Using the hardware that came with your camera secure the camera to the adapter plate.

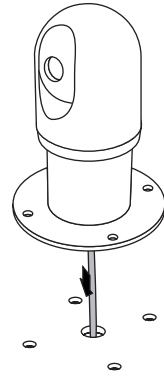


**9** Apply marine adhesive sealant to the base of the mount.



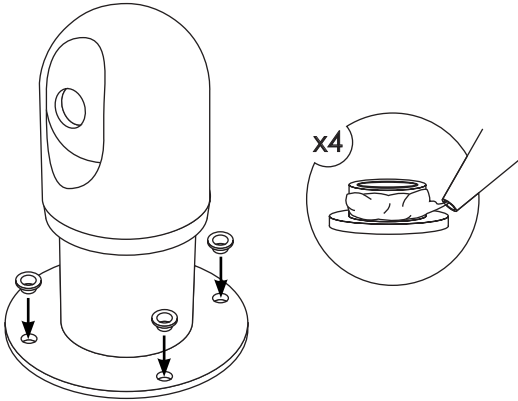
# 10

Route the cables through the mounting surface. Place the mount onto the mounting surface.



# 11

Apply marine adhesive sealant to the four nylon shoulder washers and insert into the four bolt holes on the base. Use your own hardware to secure mount into place.



This page is intentionally left blank.

The background of the entire page is a light gray topographic map with white contour lines. The lines are irregular and wavy, representing terrain elevation. The map covers the entire page, with the text elements overlaid on it.

***SEAVIEW***///  
***ELEVATE YOUR ELECTRONICS***

***SEAVIEW***///

Tel: 800-655-7922  
[www.seaviewglobal.com](http://www.seaviewglobal.com)

***EUROPEAN OFFICE***

Tel: +33 4 94 53 27 70  
[www.seaviewprogress.com](http://www.seaviewprogress.com)

1-010819