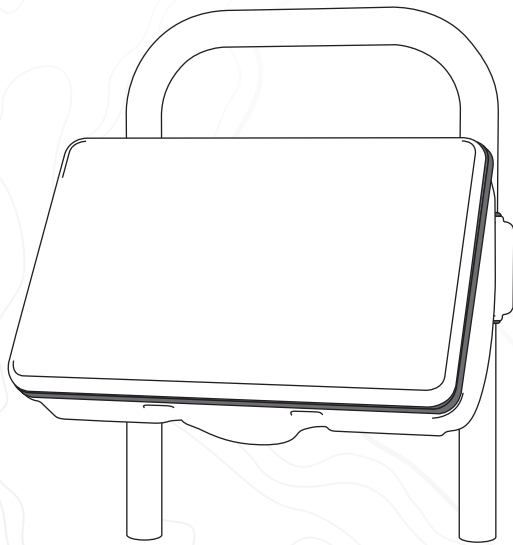


SEAVIEW

ELEVATE YOUR ELECTRONICS



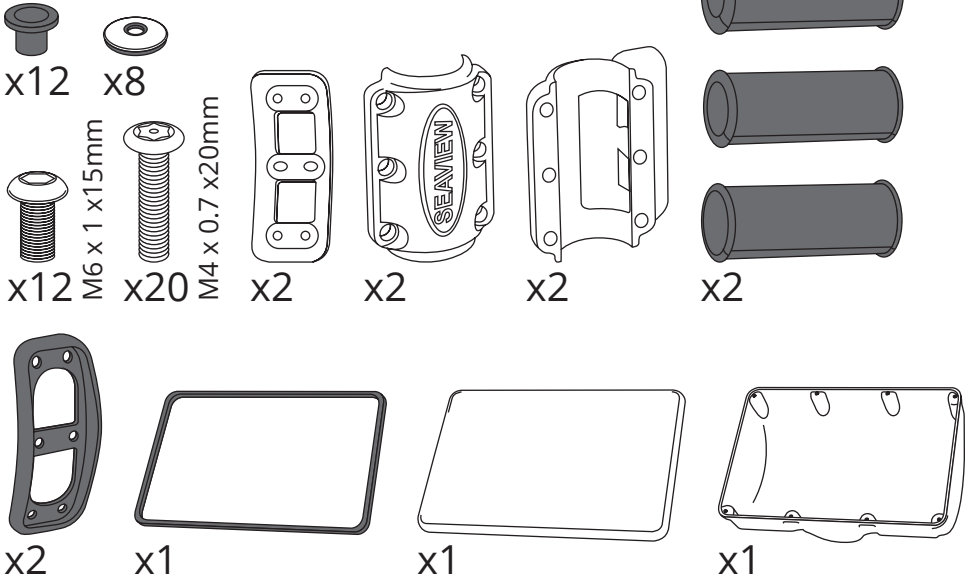
INSTALLATION INSTRUCTIONS

For Seaview Sail Pods (SPOD):

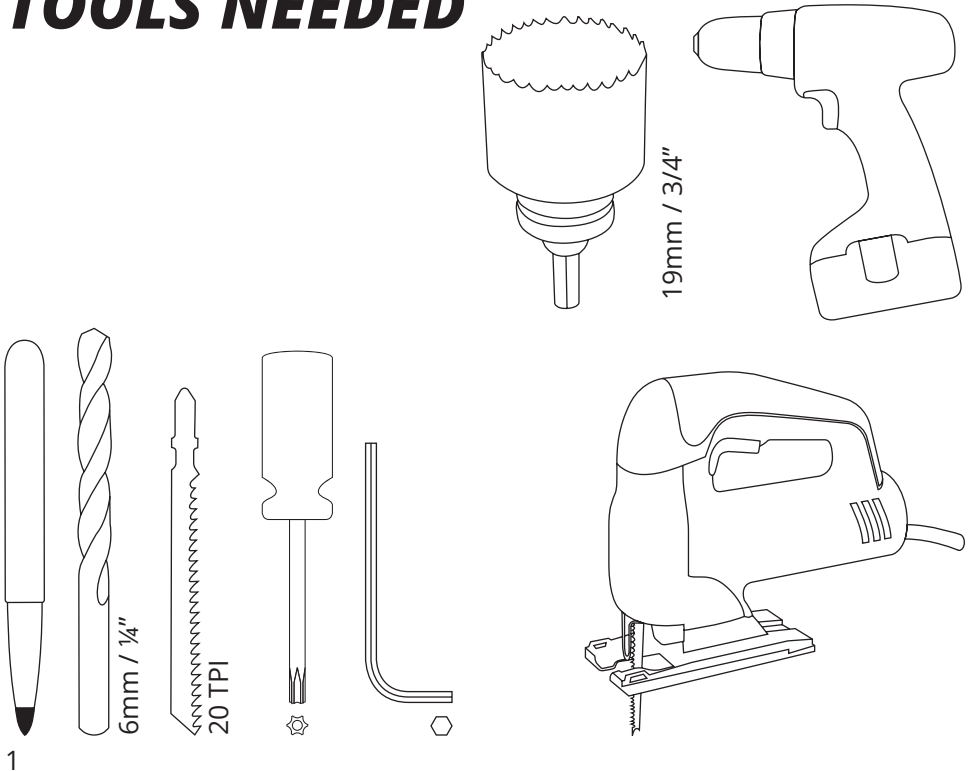
SP2S, SP3S, SP4S, SP5S

Refer to website for most up to date instructions and videos.

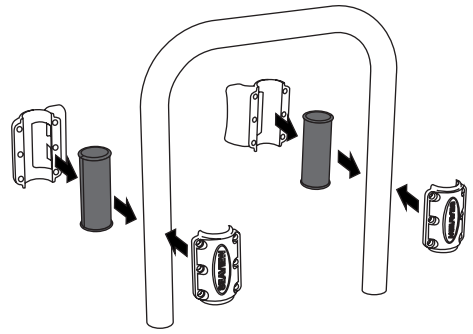
PARTS INCLUDED



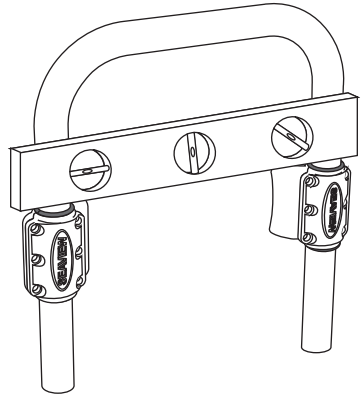
TOOLS NEEDED



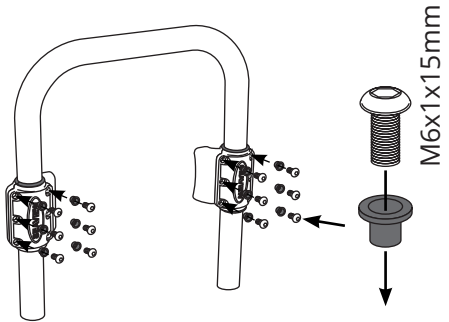
- 1** Install the appropriate rubber gasket for the clamp assembly and stainless steel clamps.



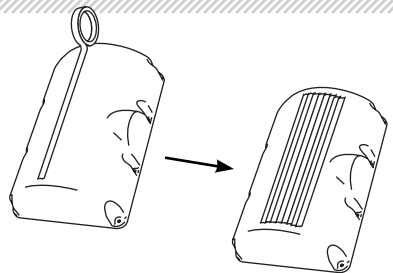
- 2** Make sure that the clamp assembly is level.



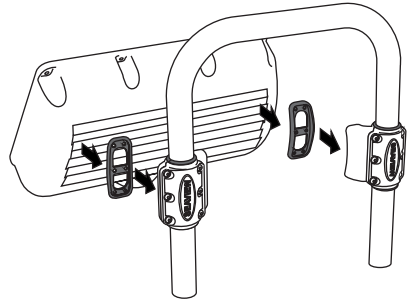
- 3** Secure the clamp assembly with the twelve black nylon shoulder washers and twelve M6x1x15mm bolts.



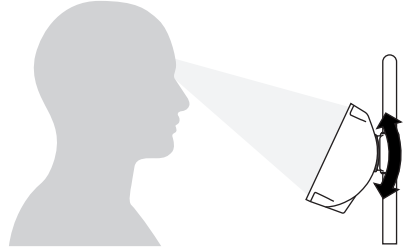
- 4** Apply painters tape to the back of the pod housing.



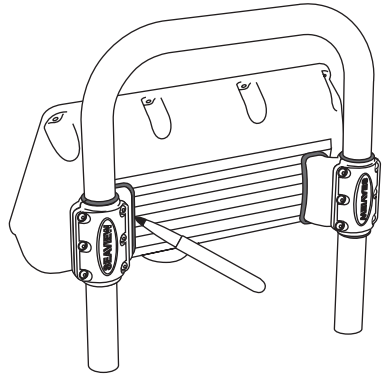
- 5** Place the two rubber gaskets onto the stainless steel clamps. Then place the housing onto the assembly.



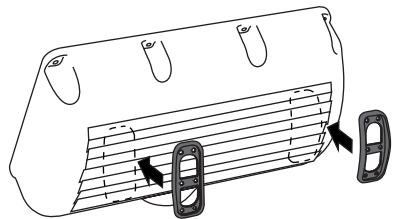
- 6** Adjust the housing for your desired mounting angle.



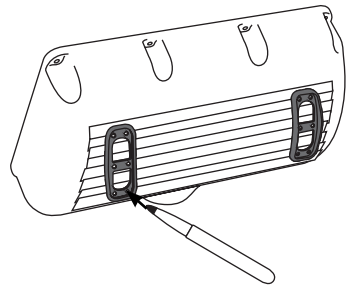
- 7** Once mounting angle is determined, use a pen to draw an outline around the rubber gasket. Then remove the assembly.



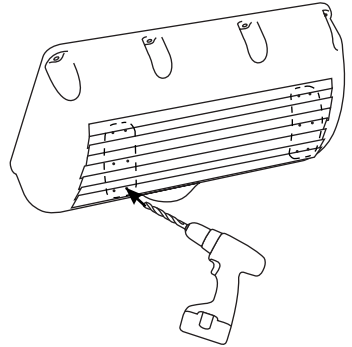
- 8** Place the rubber gaskets onto where you made your outlines.



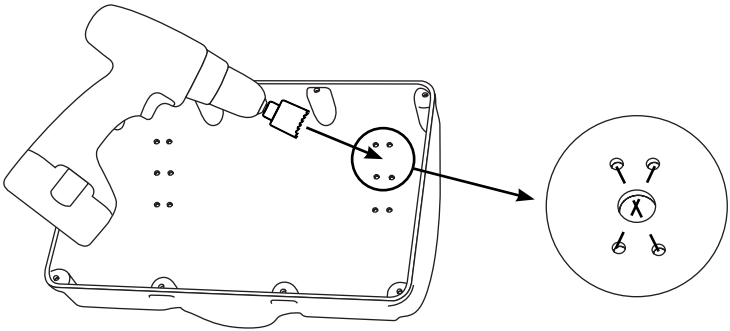
9 Mark the six bolt holes per clamp with a pen.



10 Use a 6mm drill bit to drill out the holes you just marked.

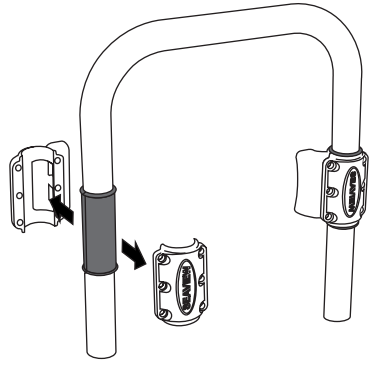


11 Use a 19mm hole saw as shown to cut a hole for the cables to pass through.



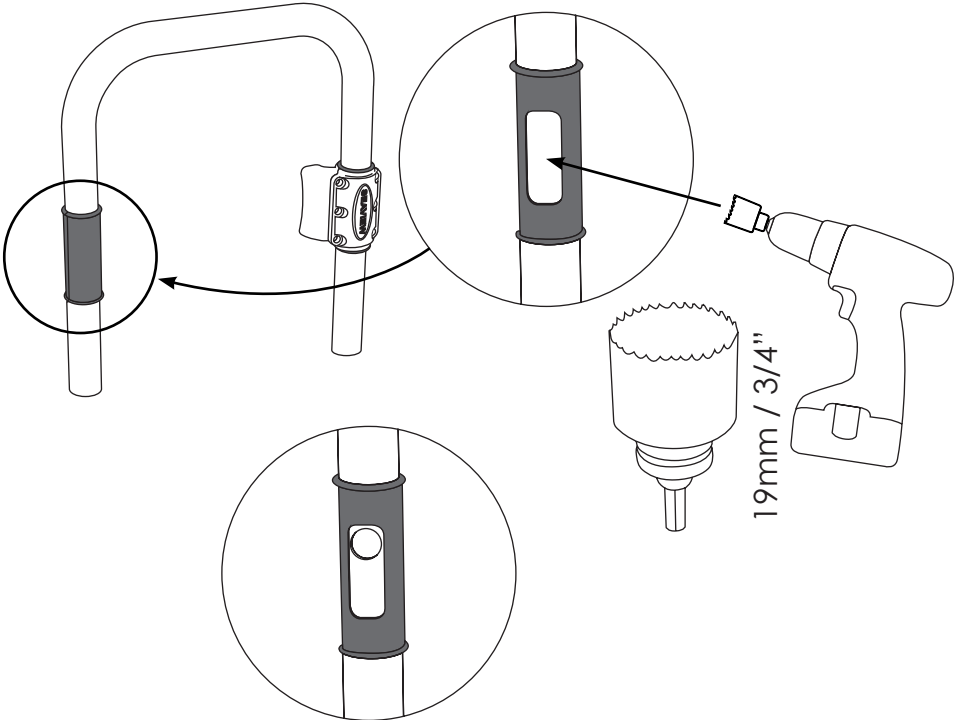
12

Remove the stainless steel clamps in order to gain access to the cable hole you are about to drill.

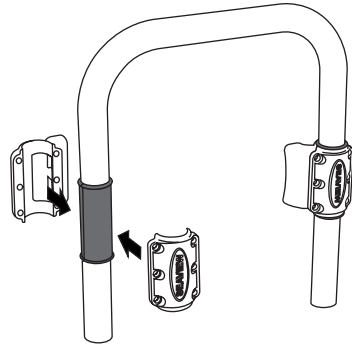


13

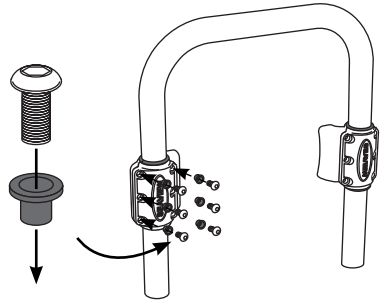
Orient the rubber grommet so that the opening is where you want the cables to pass through. Once aligned to your liking use a 19mm hole saw to drill a hole.



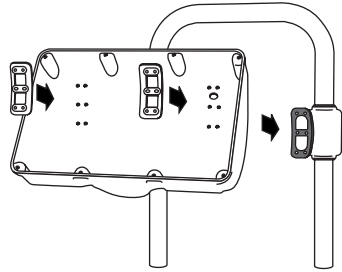
14 Install the stainless steel clamps.



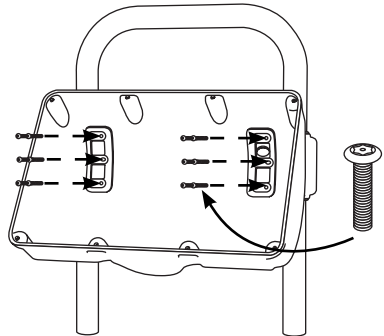
15 Secure the clamp assembly with the twelve black nylon shoulder washers and twelve M6x1x15mm bolts.



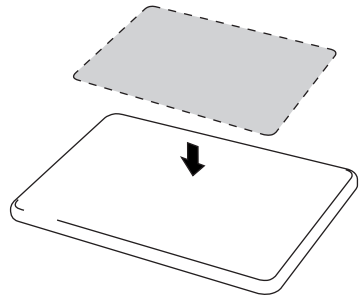
16 Place the white plastic backing plate in the SPOD housing as shown.



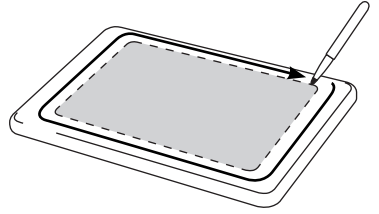
17 Secure the backing plate with the M4 x 0.7 x20mm bolts.



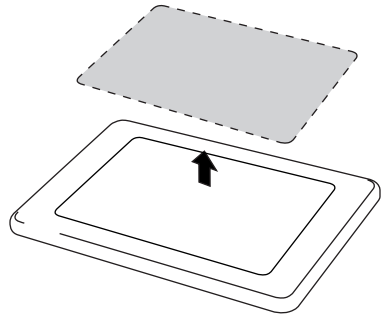
18 Place the instrument template onto the lid of the SPOD.



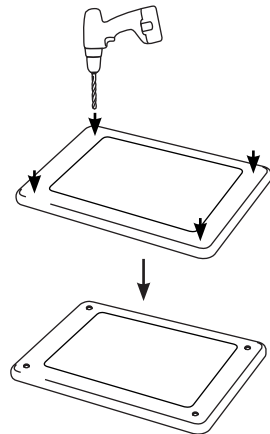
19 Trace the template with a pen.



20 Remove the template from the lid.

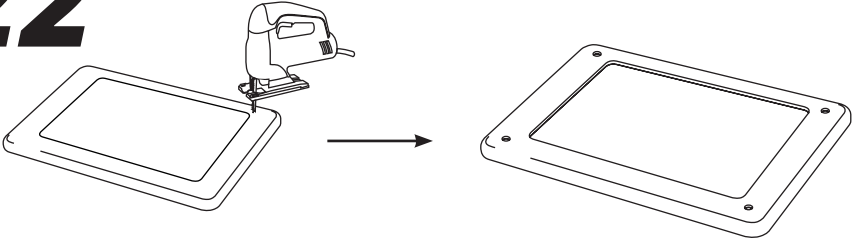


21 Drill the mounting holes for your instrument. Follow the manufacturer's instructions for this.



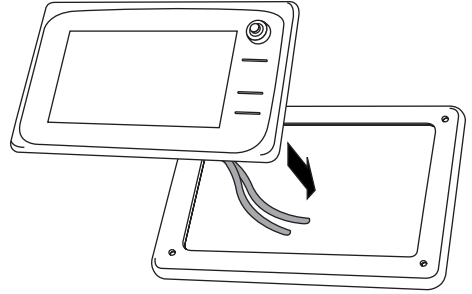
22

Take a saw and cut the line that you marked in step #19.



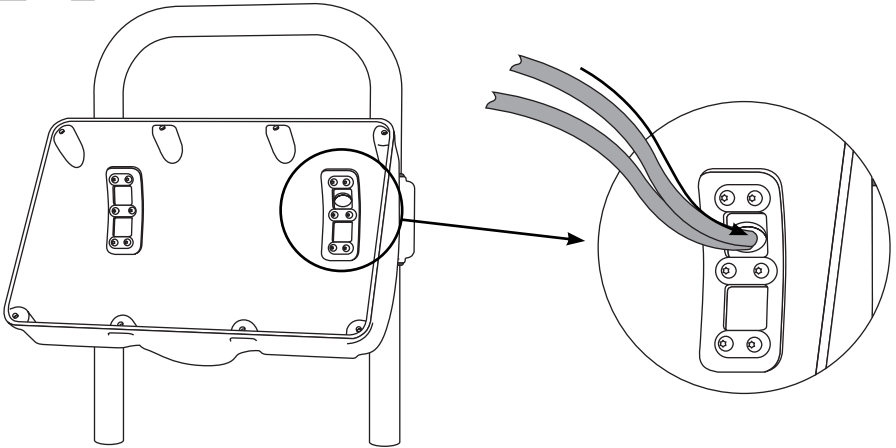
23

Install the instrument and cables.



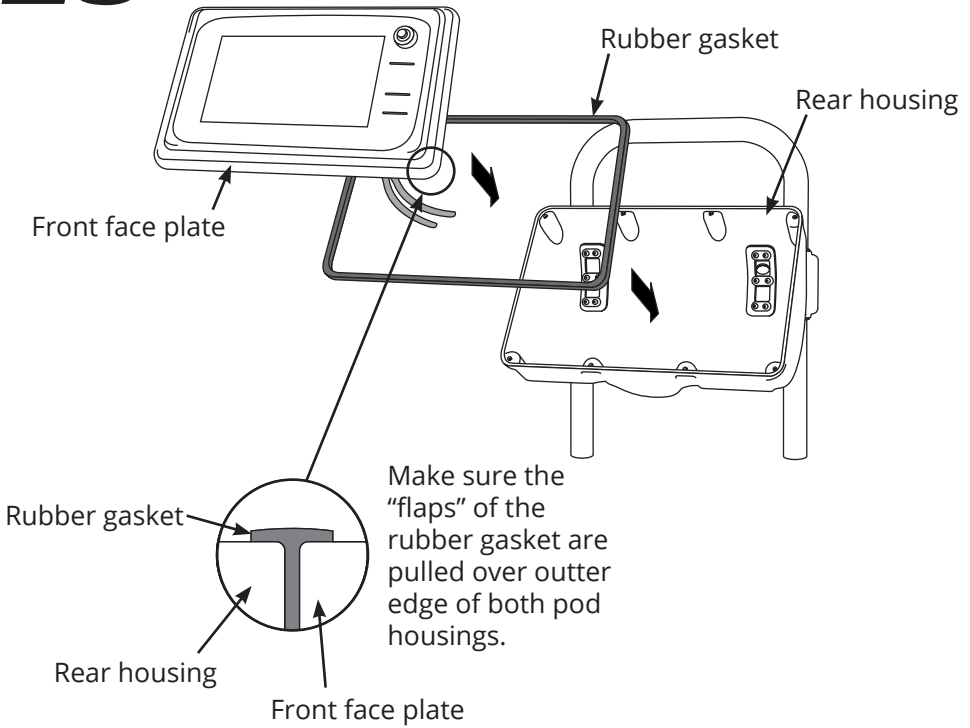
24

Pass the cables through the hole you drilled in step #11.



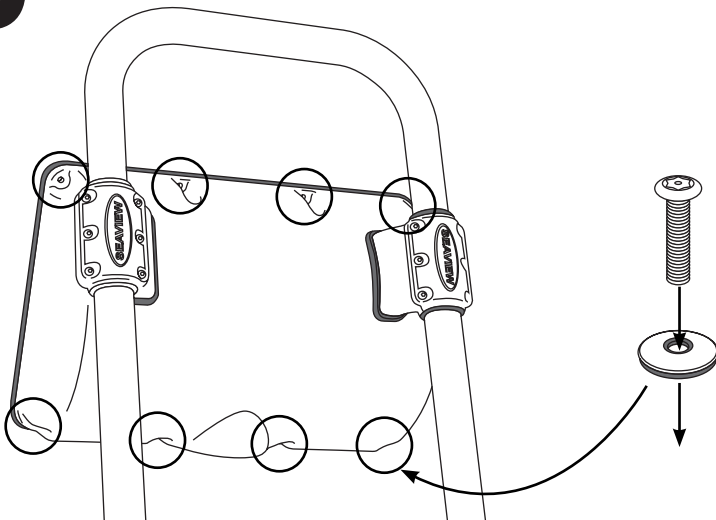
25

Install the rubber gasket and lid assembly on to housing. Note that the rubber gasket may already be installed onto the front face plate.



26

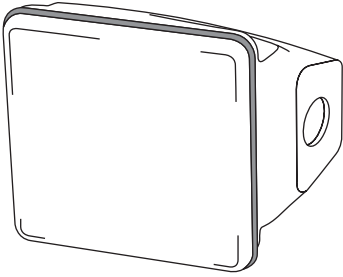
Secure housing assembly with the M4 x 0.7 x20mm and washers.



OPTIONAL ACCESSORIES

Call 800-655-7922 or visit www.seaviewglobal.com for available accessories.

ADD-ON SINGLE ACCESSORY POD



SP1-BOX

Gives you the flexibility to mount additional instruments to SPOD.

The background of the entire page is a light gray topographic map with white contour lines. The lines are irregular and wavy, representing elevation changes across a landscape. The map is centered and covers the entire area.

SEAVIEW///
ELEVATE YOUR ELECTRONICS

SEAVIEW///

Tel: 800-655-7922
www.seaviewglobal.com

EUROPEAN OFFICE

Tel: +33 4 94 53 27 70
www.seaviewprogress.com

2-092418