



# INSTALLATION INSTRUCTIONS

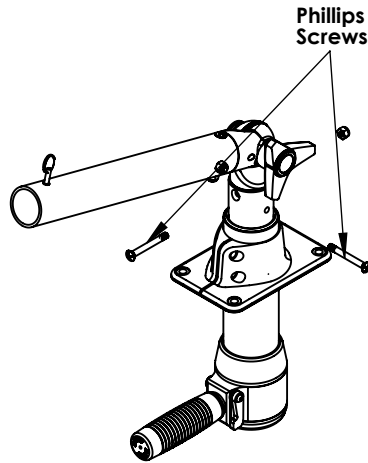
Your Rupp Marine Top Guns come fully assembled. To install you will need the following.

- 1) 1/4" Allen Wrench
- 2) 7/16" Wrench
- 3) Phillips Screwdriver

Please contact us at 772-286-5300 or at [service@ruppmarine.com](mailto:service@ruppmarine.com) with any questions.

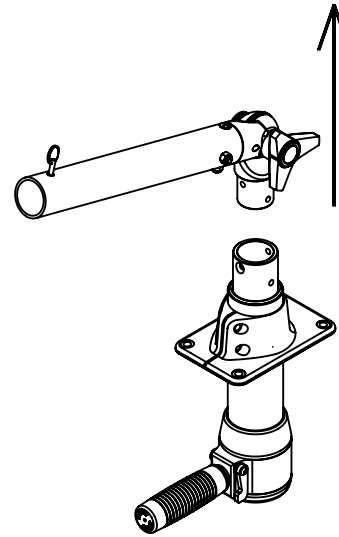
**1**

Disassemble upper unit from lower unit by removing the screws using Phillips Screwdriver and 7/16" wrench.



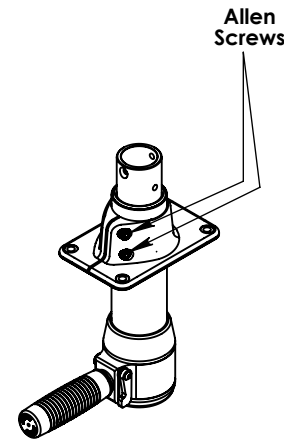
**2**

Remove upper unit from lower unit.



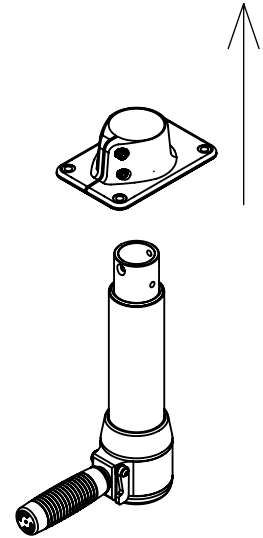
**3**

Loosen Mounting Collar by unscrewing both allen screws with 1/4" allen wrench.



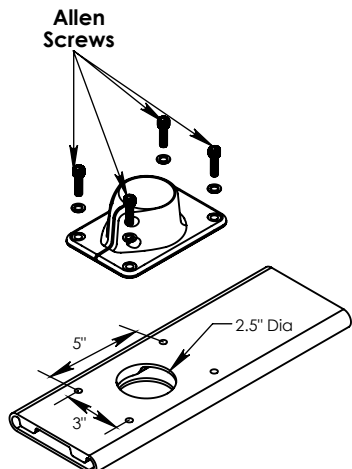
**4**

Slide Mounting Collar vertically to remove from Top Gun.



**5**

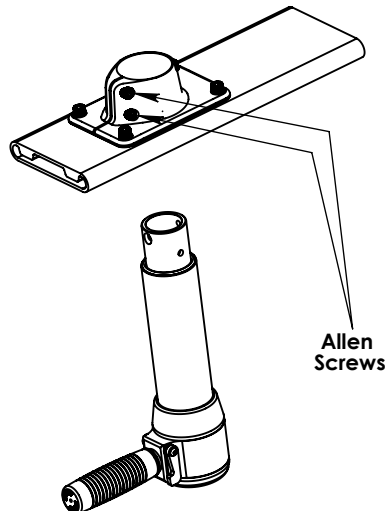
Attach Mounting Collar to Mounting Plate or Hardtop with appropriate length 5/16" stainless steel allen screws and washers. **DO NOT FULLY TIGHTEN BOLTS AT THIS POINT.**



Note: Shown with optional Mounting Plate p/n 17-1502-23

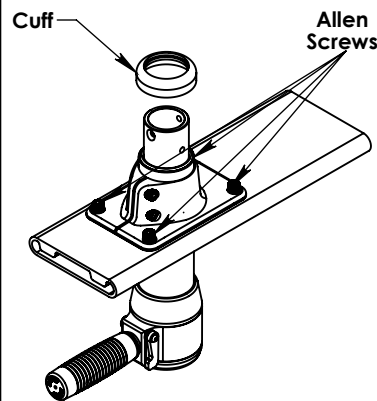
**6**

Insert lower unit into Mounting Collar from underneath. With lower unit in desired position, (allow for cuff clearance see #7) tighten both allen bolts with allen wrench to secure the lower unit into the Mounting Collar



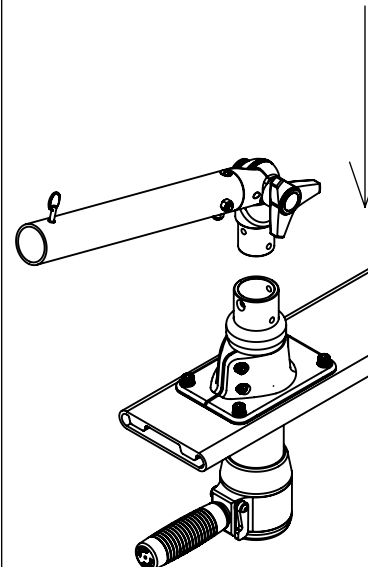
**7**

Slide cuff over lower unit until it meets the top of the Mounting Collar. Ensure screw holes are exposed above cuff. **TIGHTEN ALLEN SCREWS TO SECURE MOUNTING COLLAR TO PLATE OR HARDTOP**



**8**

Insert upper unit into lower unit and align screw holes.



**9**

Secure entire Top Gun assembly by fastening the screws and using phillips screwdriver and 7/16" wrench.

