



# Wash Down Pump

11574

## Installation Instructions

Attwood marine hardware, navigational lighting, bilge pumps, and other marine accessories are specified more than any other brand by America's best-known boat manufacturers as original equipment. Look to Attwood for quality replacement parts and marine accessories.

### SAVE THESE INSTRUCTIONS

Form Number 69304 Rev. B

03-10

### FEATURES

The Attwood Wash Down Pump is a self-priming, positive displacement pump that can be mounted in any position in well-ventilated compartments. Connect to 12-volt DC systems only.

The pump accepts 3/4" (19mm) hose fittings. All connections must be airtight to maintain prime. Use reinforced suction hose to prevent kinking and collapsing.

Performance ratings below are based on amount of gallons exhausted per hour (GPH). GPH measurements are typical of production pumps tested using smooth-bore hoses, at 0 head. "Head" refers to the vertical distance between the pump nozzle and the water discharge location. GPH is reduced as head is increased.

Pump Part Number	GPH 0' Head Amps	Max Head	Amp Fuse
11574	330	20'	10

### WARNING

To prevent personal injury, always disconnect the power source when installing or servicing any electrical product. Remove vessel from water when using any 110/120 VAC power tools.

DO NOT use pump to remove gasoline, oil, or any other flammable liquids. The pump motor is not waterproof or explosion proof and must be mounted in a cool, dry, well-ventilated compartment.

Always use the fuse amperage rating specified for the pump. Failure to do so could result in serious personal injury or fire hazards.

### CAUTION

Do not run this pump dry. Damage to the impeller will result.

### REQUIRED FOR INSTALLATION

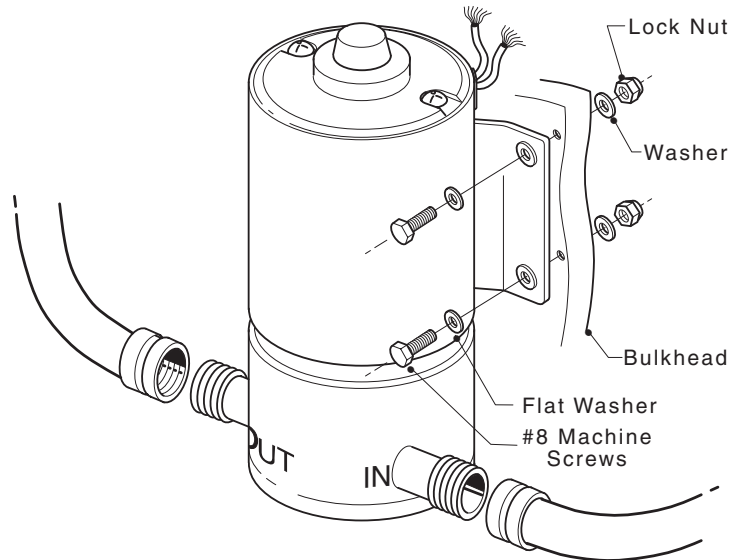
- Drill and suitable bits.
- Screwdriver.
- Four stainless steel #8 pan head machine screws, with four stainless flat washers and locknuts.
- Marine-grade wire connectors.
- Brown and black #12 AWG stranded copper conductors with 105° C insulation.
- In-line 10-ampere fuse holder and 10-ampere fuse.
- Suitable waterproof electrical splice connectors.

### MOUNTING INSTRUCTIONS

Choose a mounting location on a bulkhead that will support the pump weight when it is subjected to the vibration and shifting of boat operation. Maximum height above water intake is 4' (122cm).

1. Use mounting feet as template to mark holes. Drill four 5/32" (4mm) clearance holes for mounting bolts.
2. Fasten pump with four stainless steel #8 machine screws, flat washers, and locknuts. (See Figure 1.)
3. Route the intake and discharge hoses slightly above the pump so a small amount of water remains in the pump to wet and lubricate the impeller.

Figure 1



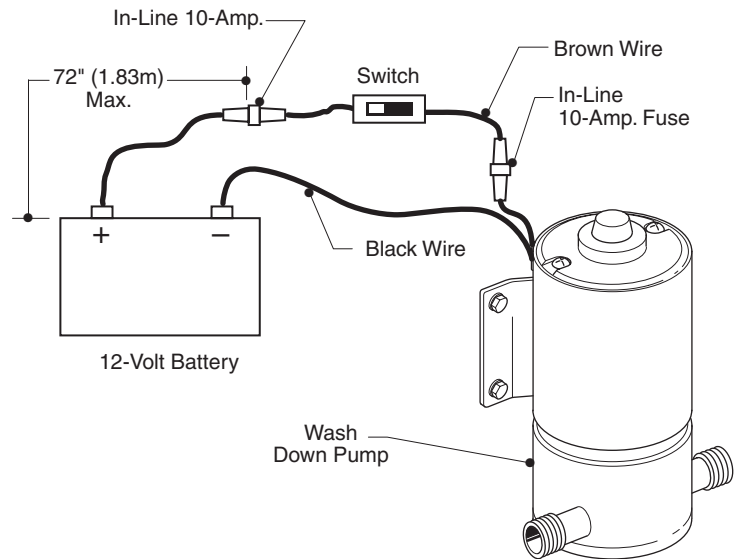
### WIRING INSTRUCTIONS

Make all wire connections above the highest possible water level, using marine-grade wire connectors only. Waterproof all connections with suitable materials.

**NOTE:** Failure to waterproof the connections and fuse the pump properly will void the product warranty.

1. Splice length of brown and black 12-gauge wire to pump wiring. Wire must be long enough to reach existing ON/OFF switch and battery.
2. Use insulated terminal connectors to connect positive lead (brown) to the ON/OFF switch. Connect negative lead (black) to ground. (See Figure 2.)

Figure 2



3. Install a second fuse holder to protect wiring between the switch and the battery.
4. If wiring directly from battery (rather than fuse panel) select an easily accessible location for changing fuses. Splice fuse holder into positive lead (brown). The fuse holder must be installed within 72" (183cm) of the positive (+) battery terminal.
5. To check system, feed water into the pump. If flow appears to be too low, check for hose restrictions. Make sure wires have been connected properly: Brown to positive lead (switch), and black to negative lead.

## MAINTENANCE

1. Periodically check mounting screws, hose fittings, and wire connections.
2. The impeller will wear after extended use. To replace, remove four screws and plate from pump end. Replace impeller with Attwood Part Number 11576.
3. To prevent pump damage, drain the pump chamber if temperatures are below freezing.

## ATTWOOD LIMITED WARRANTY:

ATTWOOD CORPORATION, 1016 North Monroe, Lowell, Michigan 49331. ('Attwood') warrants to the original consumer purchaser that the Attwood Wash Down Pump will be free from defects in materials and workmanship under normal use and service for a period of one (1) year from the date of original consumer purchase. This limited warranty is not applicable if the product has been damaged by accident, improper installation, unreasonable use, lack of proper maintenance, unauthorized repairs or modifications, or other causes not arising out of defects in materials or workmanship. Attwood's obligations under this warranty are limited to repair of the product at Attwood's plant or replacement of the product at Attwood's option and at Attwood's expense. Any expenses involved in the removal, reinstallation, or transportation of the product are not covered by this warranty. The product must be returned to Attwood's plant at the address indicated above postage prepaid, with proof of original purchase including date. If Attwood is unable to replace the product and repair is not commercially practicable or cannot be timely made, or if the original consumer purchaser is willing to accept a refund in lieu of repair or replacement, Attwood may refund the purchase price, less an amount for depreciation. The acceptance by Attwood of any product returned or any refund provided by Attwood shall not be deemed an admission that the product is defective or in violation of any warranty. This warranty is Attwood's only express warranty of this product. No implied warranty shall extend beyond one (1) year from the date of original consumer purchase. Attwood shall not be liable for any damages for loss of use of this product, nor for any other incidental or consequential damages, costs or expenses. Some states do not allow limitations on how long an implied warranty lasts or the exclusion or limitation of incidental or consequential damages, so the above limitations and exclusions may not apply to you. This warranty gives you specific legal rights and you may have other rights which may vary from state to state.