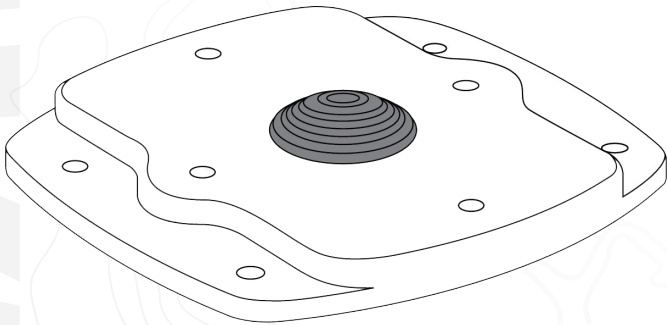


# ***SEAVIEW***///



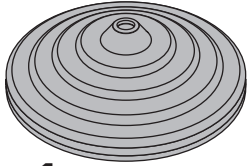
## ***INSTALLATION INSTRUCTIONS***

For Seaview Radar Adapter Plate:

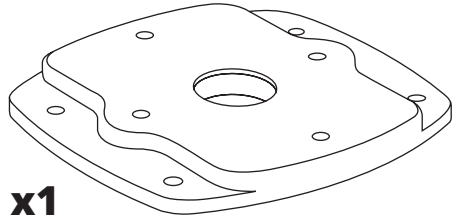
***ADA-HALO-2***

Refer to website for most up to  
date instructions and videos.

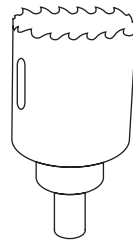
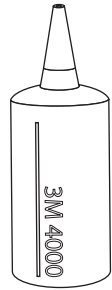
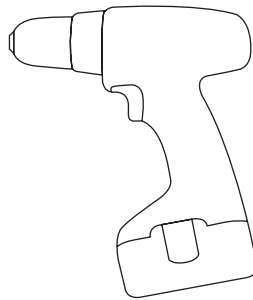
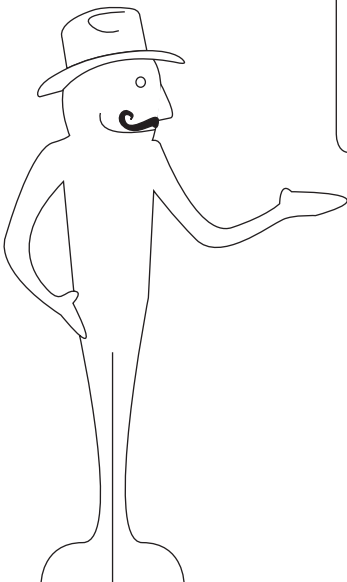
***WWW.SEAVIEWGLOBAL.COM***

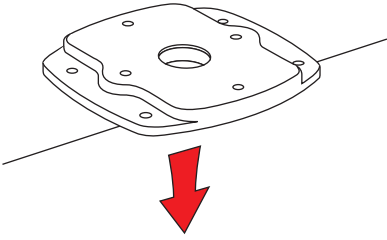
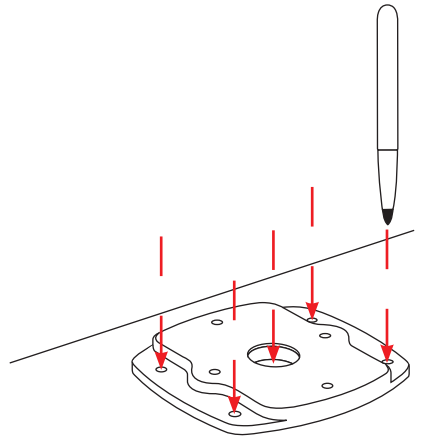
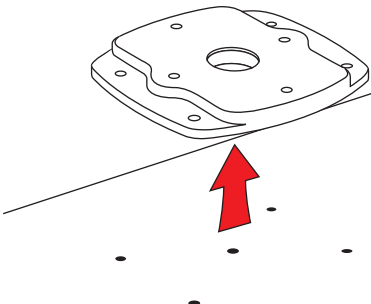
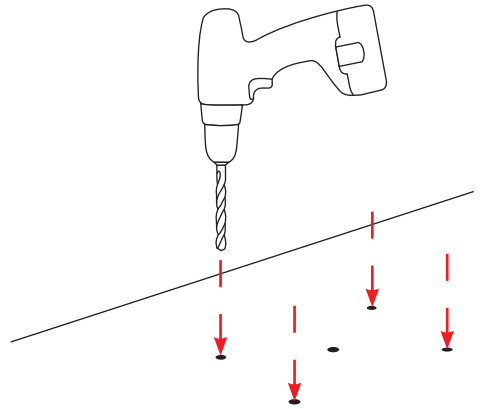
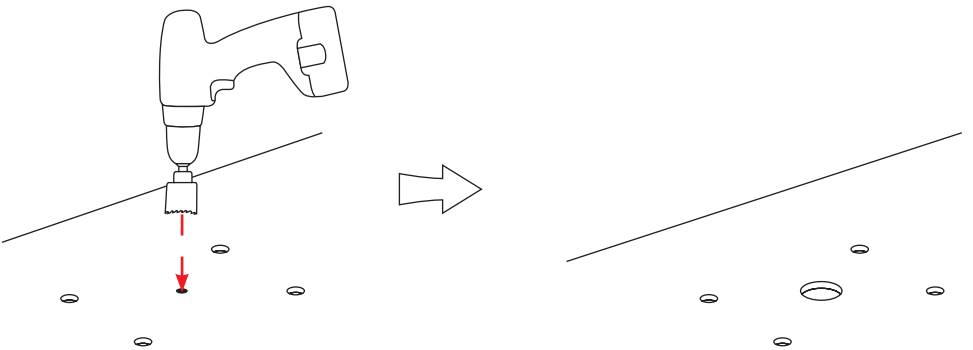


**x1**  
(ADAGMT)

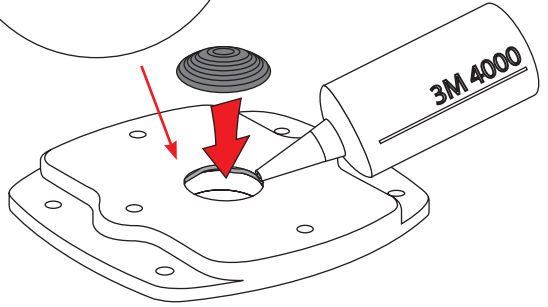
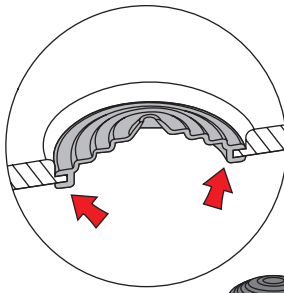
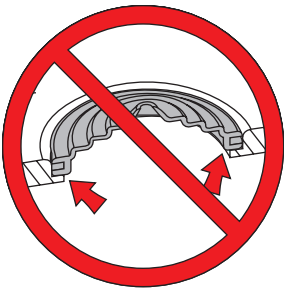


**x1**  
(ADAHALO2P)

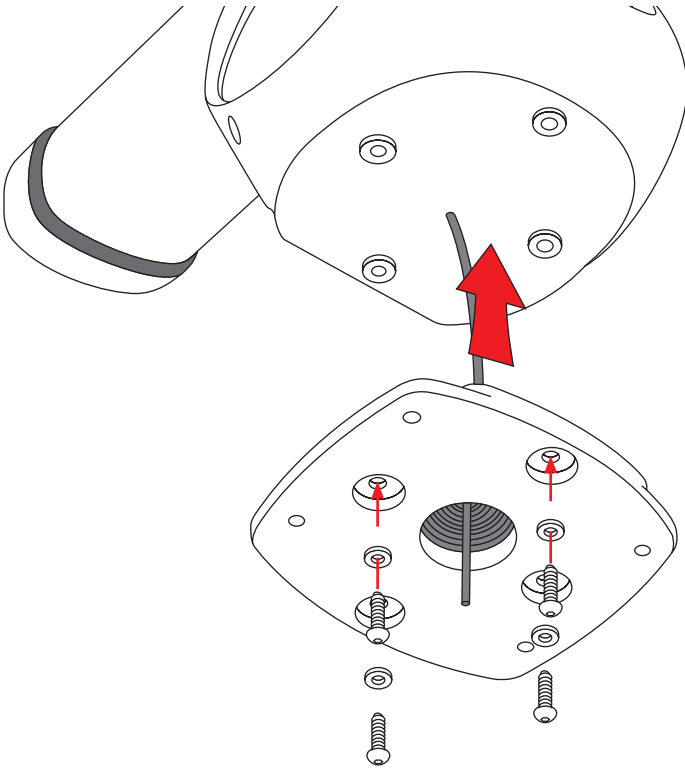


**1****2****3****4****5**

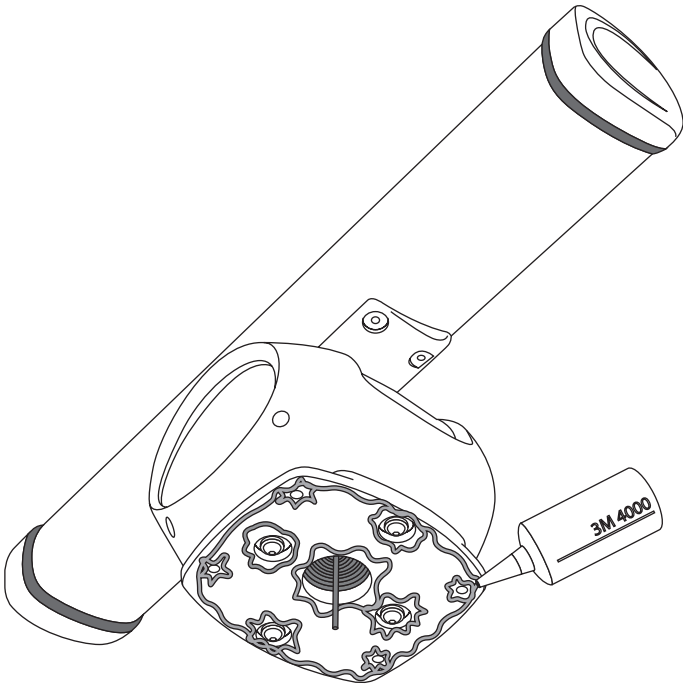
6



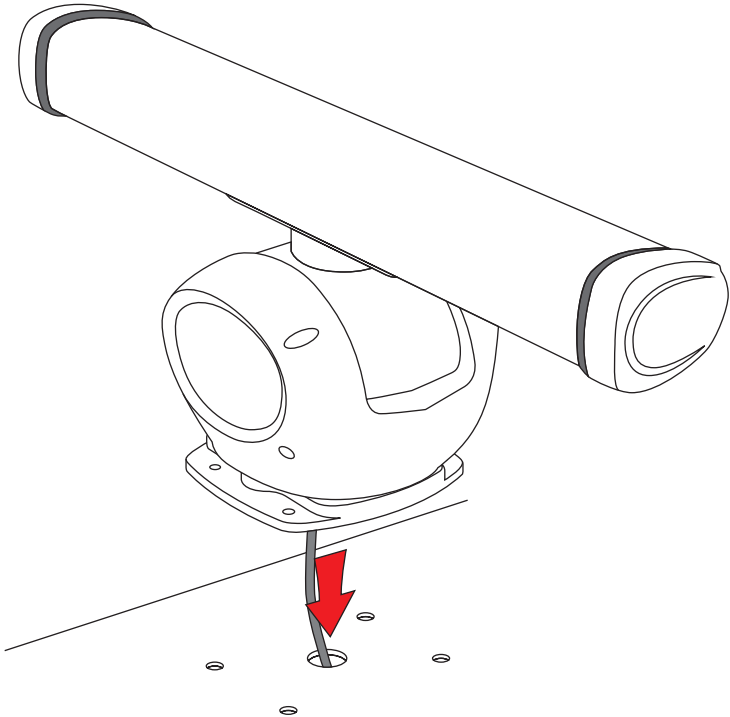
7



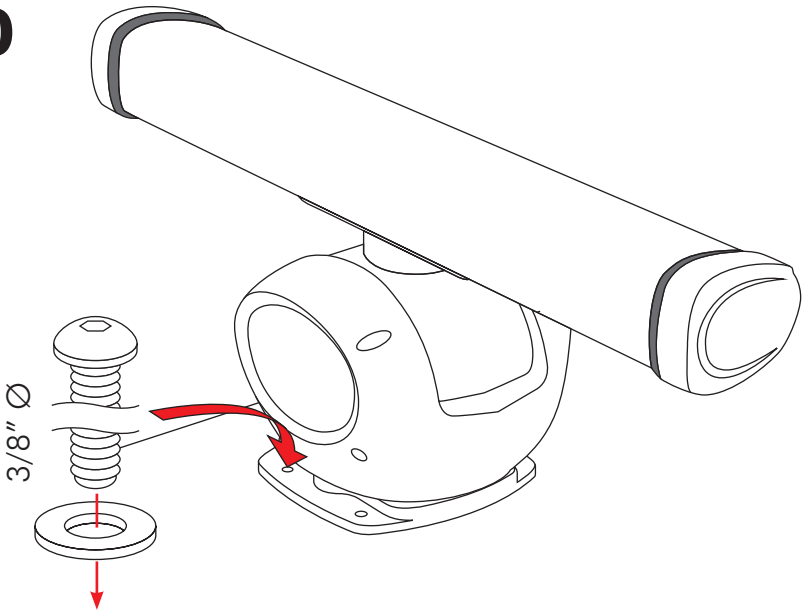
8



9



10





The background of the entire page is a light gray topographic map with white contour lines. The lines are irregular and wavy, representing terrain elevation. The map covers the entire page, with the text elements overlaid on it.

***SEAVIEW***///  
***ELEVATE YOUR ELECTRONICS***

***SEAVIEW***///

Tel: 800-655-7922  
[www.seaviewglobal.com](http://www.seaviewglobal.com)

***EUROPEAN OFFICE***

Tel: +33 4 94 53 27 70  
[www.seaviewprogress.com](http://www.seaviewprogress.com)

6-070722