

Item Number _____

RAM-VB-180 & RAM-VB-180-SW1

RAM No-Drill™ Seat Bases

RAM Mounting Systems

Vehicle base for the
TOYOTA TUNDRA (2007-2014)
NISSAN NV1500 (2011-2014)
NISSAN NV2500 HD (2011-2014)
NISSAN NV3500 HD (2011-2014)

SPECIFICATIONS

Placement

Passenger side on the floor, under front seat

Drilling Required

No - uses existing seat bolt location

Seat Configuration

Bucket

Pole or Pedestal

Sold Separately

Construction/Finish

Steel/Black Powdercoat

Weight

6 lbs.

Dimensions

A = 19", B = 9.375", C = 1.375"

Hole Centers = 17"

Features

Installs in minutes with no drilling required
Low profile keeps mount away from passenger leg space
Adjustable riser included for pole adjustment

Misc.

Rock solid construction
Lifetime warranty



Complete Vehicle Mount
RAM-VB-180-SW1



Vehicle Base
RAM-VB-180

RAM Mounting Systems

8410 Dallas Ave S
Seattle, WA 98108
Phone: (206) 763-8361
Fax: (206) 763-9615
www.rammount.com
support@rammount.com



RAM MOUNTS®

RMR-INS-VB-180

Item Number _____

RAM-VB-180 & RAM-VB-180-SW1

RAM No-Drill™ Seat Bases

RAM Mounting Systems

Vehicle base for the
TOYOTA TUNDRA (2007-2014)
NISSAN NV1500 (2011-2014)
NISSAN NV2500 HD (2011-2014)
NISSAN NV3500 HD (2011-2014)

INSTALLATION INSTRUCTIONS

1. If using a riser, it should be attached to the No-Drill™ base prior to attaching the base to the vehicle.
2. Move the passenger seat back to its rearmost position and remove the front seat leg bolts using a 14mm socket wrench. Save and store these bolts should the mount be later removed.
3. Using the provided hardware, place the washers over the longer bolts, pass the bolts through the No-Drill™ base, next through the round stand-offs, and align over the threaded holes in the floor board.
4. Start bolts by hand to insure that the bolts do not cross thread.
5. Using a 17mm socket wrench or box end wrench, fully tighten the bolts to secure the base.
6. After a day of use, re-tighten the seat bolts holding the mount in place.

The use of the stabilizer foot is recommended to reduce bounce in all applications. Simply replace one of the carriage bolts holding the pole system or riser in place with the stabilizer foot as shown. You will need a ½" box wrench to tighten the hardware. The part number for the stabilizer foot kit is RAM-FOOT2. Slide the bolt through the foot, slide a lock washer over the thread so it rest on the foot. Place a nut over the thread and tighten to secure the foot over the head of the bolt. Next, thread a nut over the bolt and slide another lock washer over the bolt. Pass the foot up through the base from the bottom. Once through the base, slide the flat washer, lock washer, then thread the nut over the bolt. Position foot while hardware is loose so it is supporting the base off the floor. Once in position, tighten the nut so that it forces the foot down against the floor. Secure with remaining nut and washers on top.



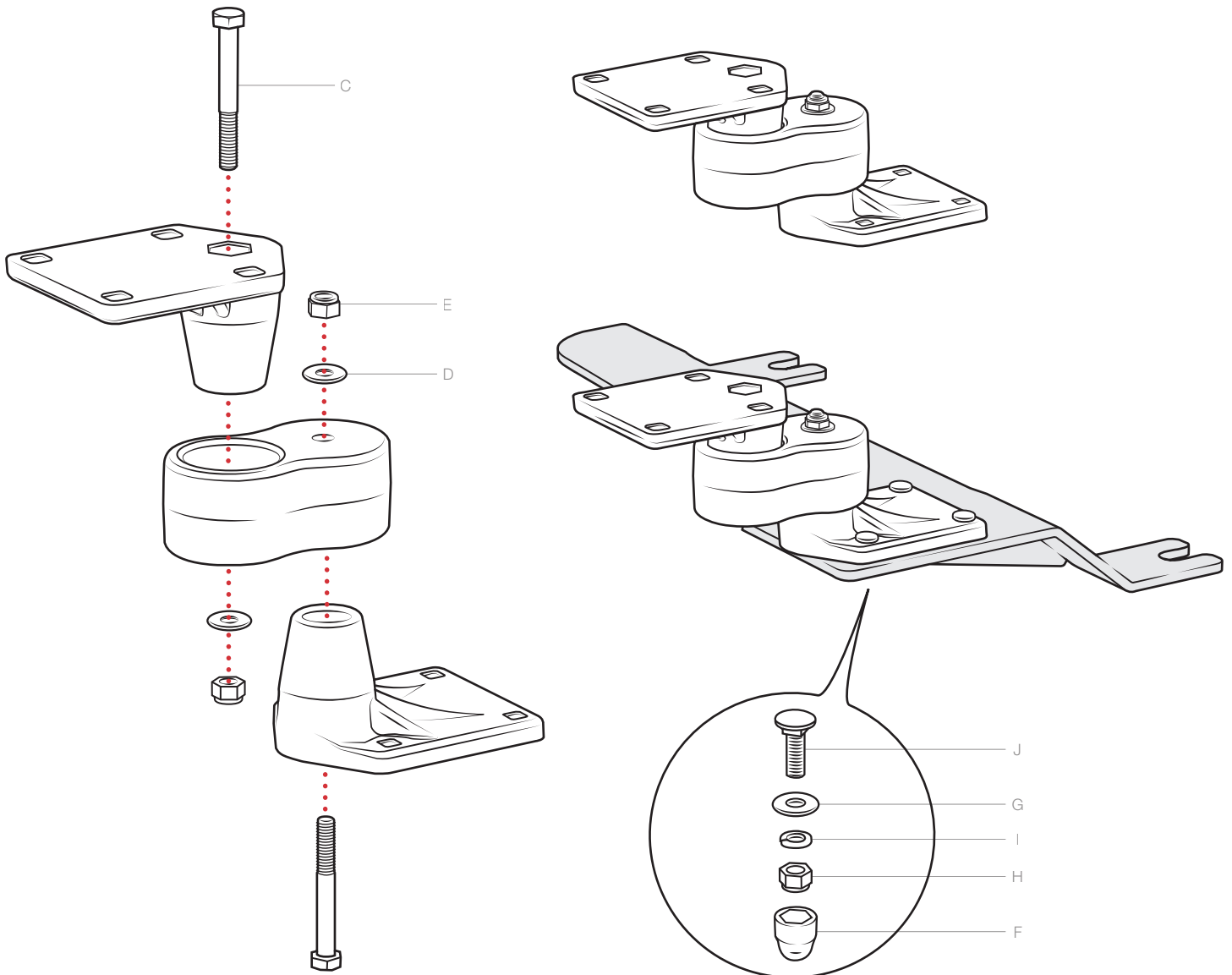
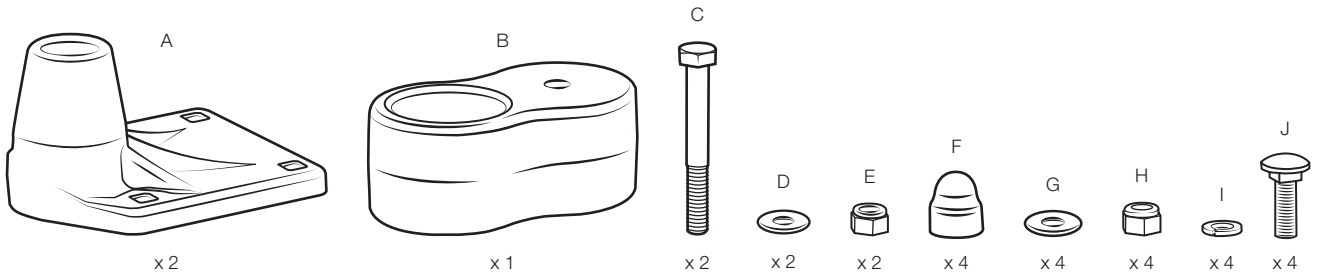
RAM Mounting Systems
8410 Dallas Ave S
Seattle, WA 98108
Phone: (206) 763-8361
Fax: (206) 763-9615
www.rammount.com
support@rammount.com



RMR-INS-VB-180

Parts Index

not to scale



RMR-INS-VB-ADJ1

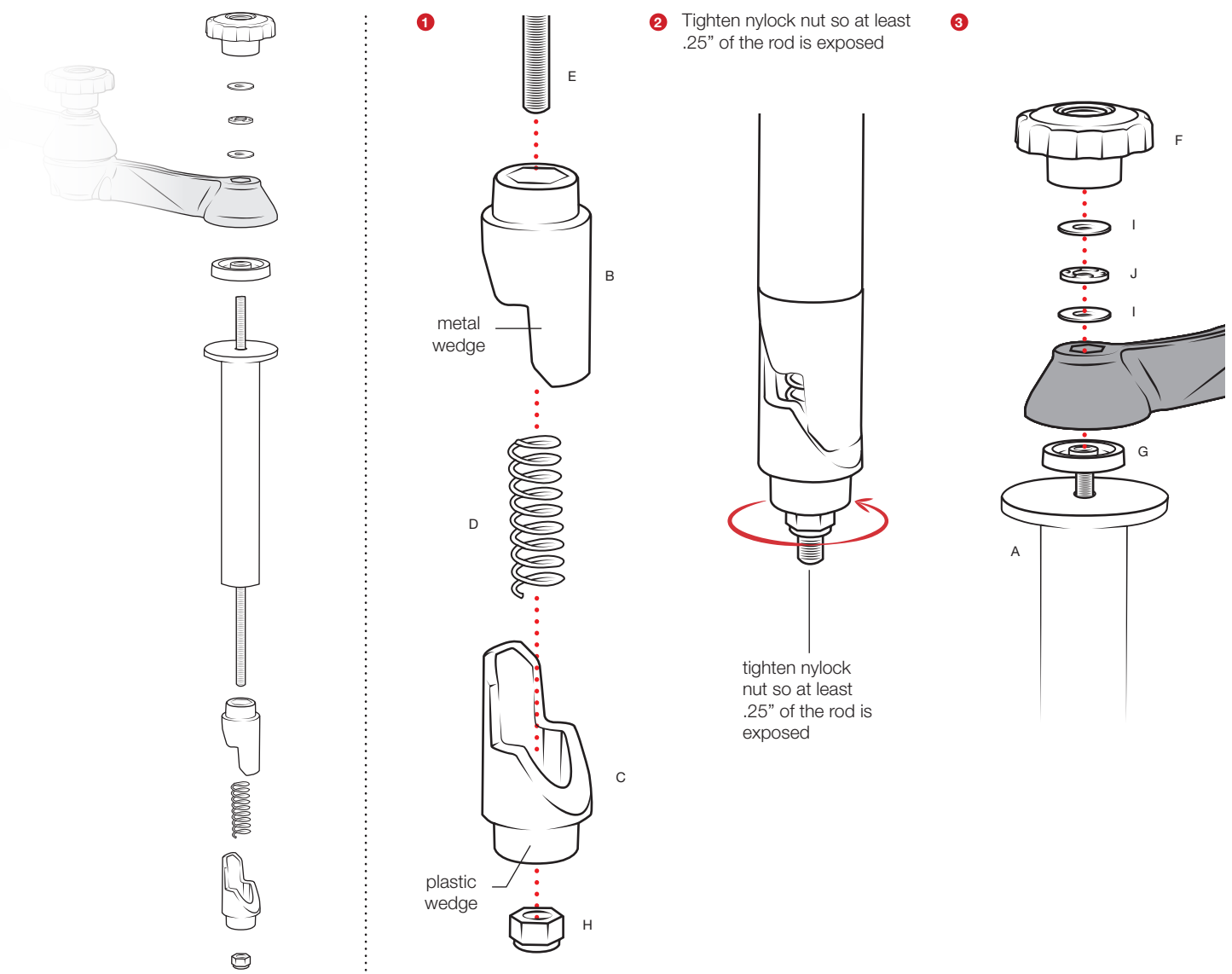
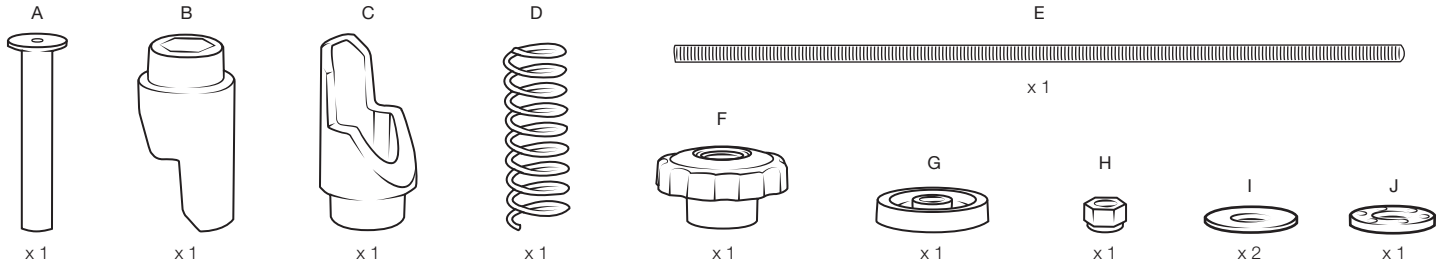


Safety Precaution

Do not install this product near or over an airbag deployment area or in a location that obstructs the driver's vision or interferes with vehicle operation. National Products, Inc does not assume responsibility or liability for any such personal injury, death or property damage.

Parts Index

Not to scale



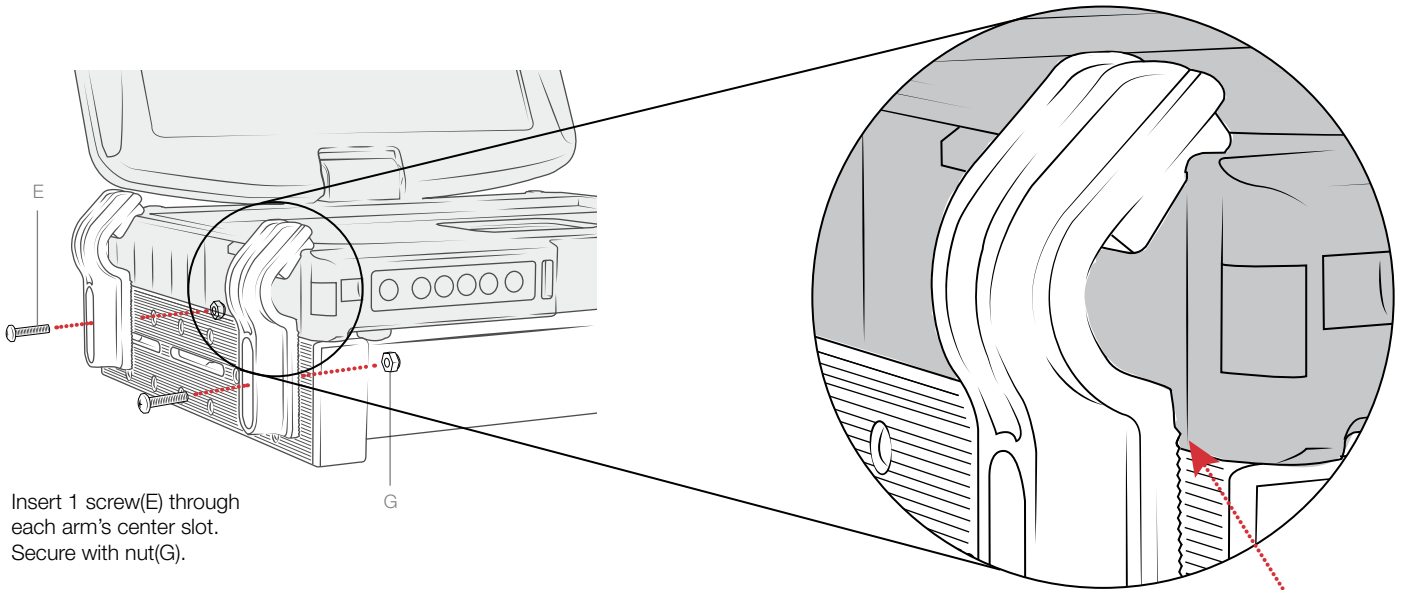
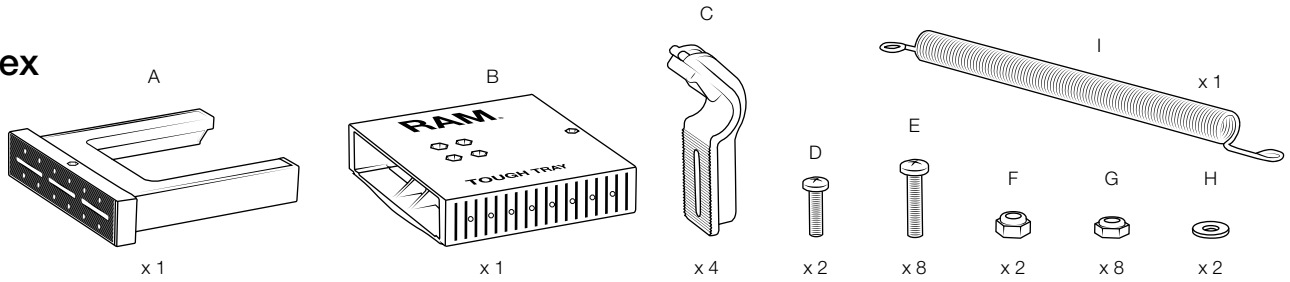
Safety Precaution

Do not install this product near or over an airbag deployment area or in a location that obstructs the driver's vision or interferes with vehicle operation. National Products, Inc does not assume responsibility or liability for any such personal injury, death or property damage.

RMR-INS-VB-TP

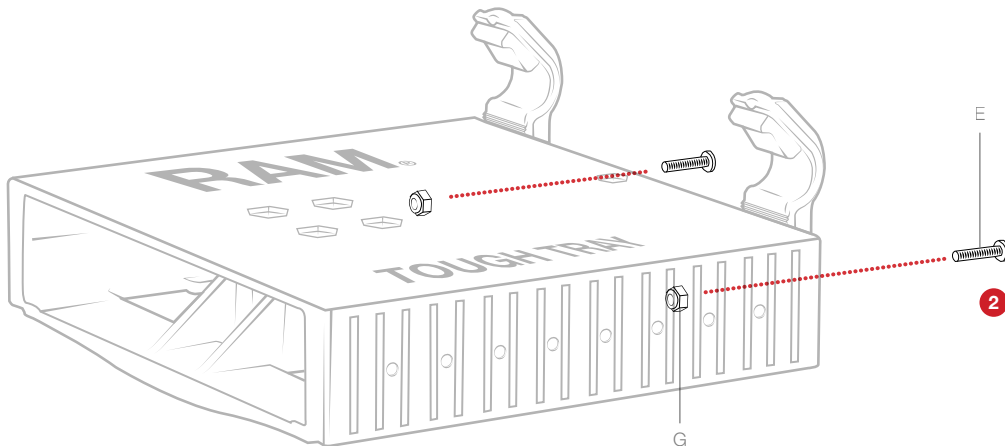
Parts Index

not to scale



- 1 Insert 1 screw(E) through each arm's center slot. Secure with nut(G).

Adjust the side arm position to accommodate your laptop's thickness and to keep any needed ports open. Note the placement of the ridges when setting the arm height.



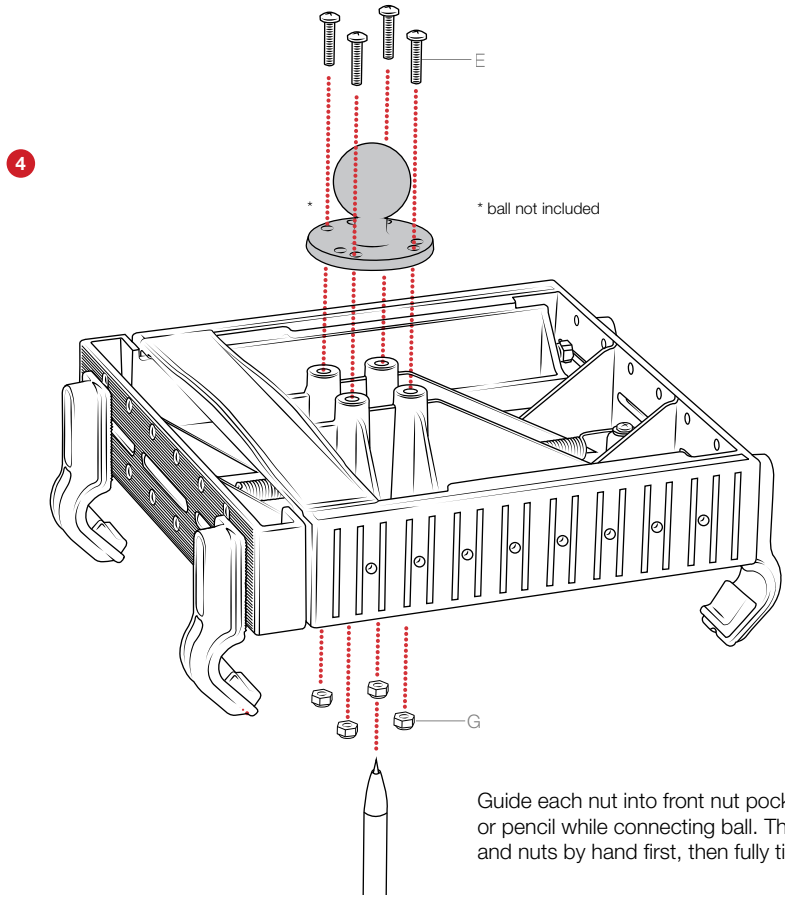
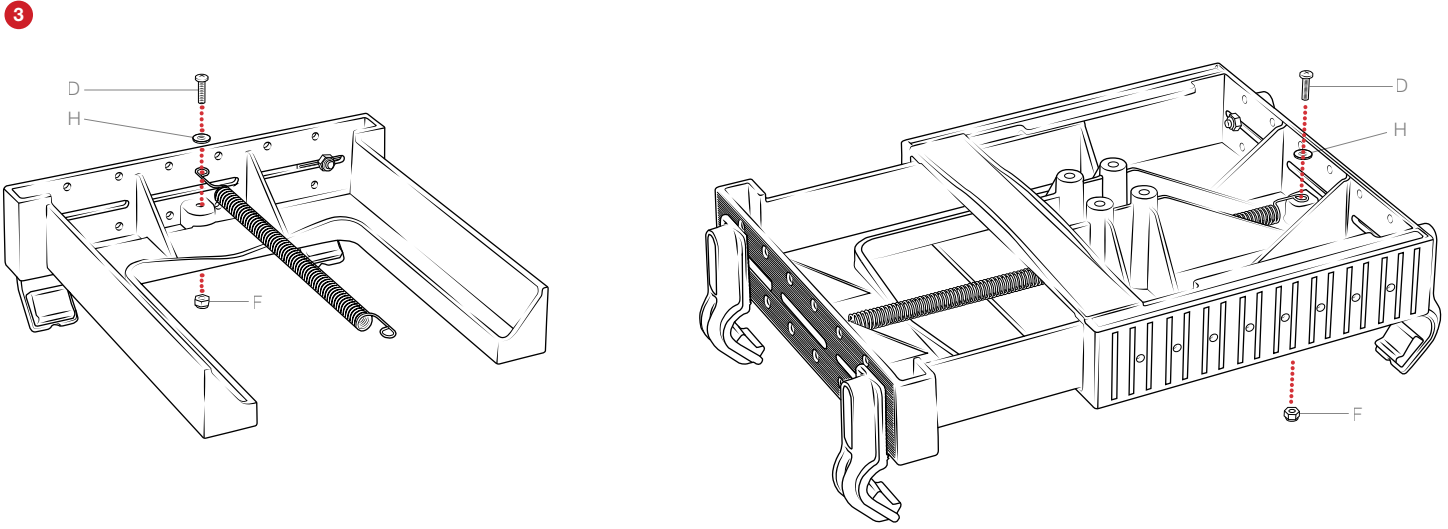
- 2 Repeat process for remaining side arms, keeping the ridge placement consistent.

RMR-INS-2343



Safety Precaution

Do not install this product near or over an airbag deployment area or in a location that obstructs the driver's vision or interferes with vehicle operation. National Products, Inc does not assume responsibility or liability for any such personal injury, death or property damage.



RMR-INS-2343



Safety Precaution

Do not install this product near or over an airbag deployment area or in a location that obstructs the driver's vision or interferes with vehicle operation. National Products, Inc does not assume responsibility or liability for any such personal injury, death or property damage.