

## Item Number

RAM-VB-188 & RAM-VB-188-SW1

# RAM No-Drill™ Seat Bases

National Products, Inc.

## Vehicle base for the

DODGE JOURNEY (2011-2015)  
FORD C-MAX (2014-2015)  
FORD ESCAPE (2013-2015)  
FORD FOCUS (2011-2015)  
FORD TRANSIT CONNECT (2014-2015)  
JEEP COMPASS (2013-2015)  
JEEP PATRIOT (2013-2015)

## SPECIFICATIONS

### Placement

Passenger side, in front, where seat frame meets floor board.

### Drilling Required

None - uses existing seat bolts

### Seat Configuration

Bucket

### Pole or Pedestal

Ordered Separately

### Construction/Finish

Steel/Black Powdercoat

### Dimensions

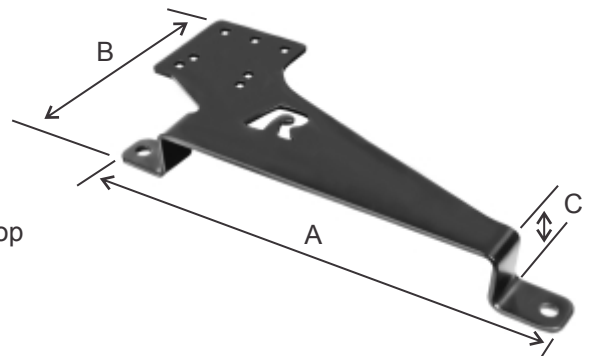
A = 15.5", B = 7", C = 1.95",  
Hole Center = 13.56"

## Features

Installs in minutes with no drilling required. Placement is over the top of the seat frame legs at floor board level. Rock solid construction  
Lifetime warranty



Complete Vehicle Mount  
RAM-VB-188-SW1



Vehicle Base  
RAM-VB-188

### National Products, Inc.

8410 Dallas Ave S  
Seattle, WA 98108  
Phone: (206) 763-8361  
Fax: (206) 763-9615  
Website: [www.ram-mount.com](http://www.ram-mount.com)  
Email: [staff@ram-mount.com](mailto:staff@ram-mount.com)



## Item Number \_\_\_\_\_

RAM-VB-188 & RAM-VB-188-SW1

# RAM No-Drill™ Seat Bases

National Products, Inc.

## Vehicle base for the

**DODGE JOURNEY (2011-2015)**

**FORD C-MAX (2014-2015)**

**FORD ESCAPE (2013-2015)**

**FORD FOCUS (2011-2015)**

**FORD TRANSIT CONNECT (2014-2015)**

**JEEP COMPASS (2013-2015)**

**JEEP PATRIOT (2013-2015)**

## INSTALLATION INSTRUCTIONS

Depending on your make and model, there may be pieces of plastic trim that cover the lower front of the seat frame legs. This will need to be removed and stored. If you wish to reinstall this piece of trim, you will have to modify it to fit over the stamped metal base.

1. Move the passenger side seat to its rearmost position. Using an 18MM wrench, loosen and remove the two bolts holding the seat frame legs to the floor board.
2. Place the No-Drill™ base over the seat frame legs with the pedestal platform near the center of the vehicle.
3. Re-install the two seat frame bolts. Start the thread by hand and then fully tighten with the 18MM wrench.

Ford Transit Connect:

1. Move the passenger side seat to its rearmost position. Using an socket wrench, loosen and remove the two bolts holding the seat frame legs to the floor board.
2. Place supplied stand offs over the holes in the seat frame legs. Next place the No-Drill™ base over the stand offs with the pedestal platform near the center of the vehicle.
3. Using the longer bolts provided, start the thread by hand and then fully tighten the bolts passing through the base, stand offs, and into the floor board.



### National Products, Inc.

8410 Dallas Ave S

Seattle, WA 98108

Phone: (206) 763-8361

Fax: (206) 763-9615

Website: [www.ram-mount.com](http://www.ram-mount.com)

Email: [staff@ram-mount.com](mailto:staff@ram-mount.com)

