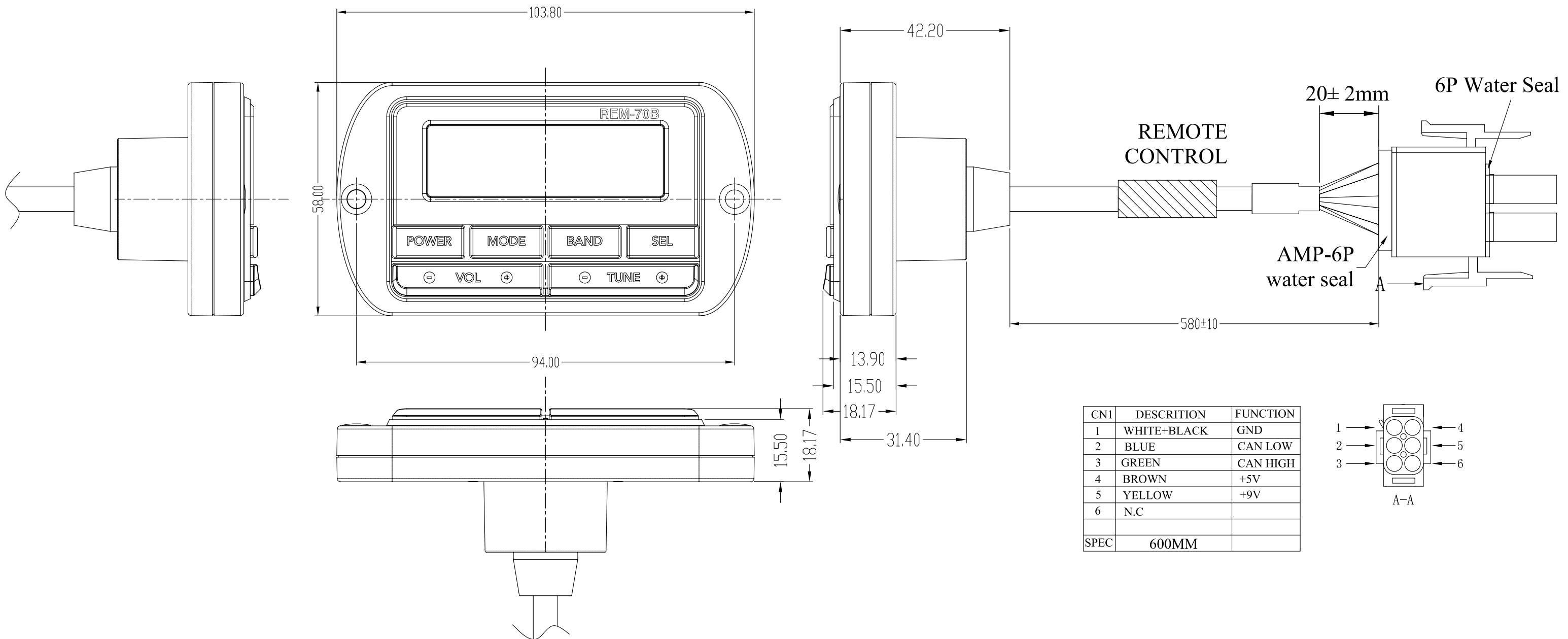
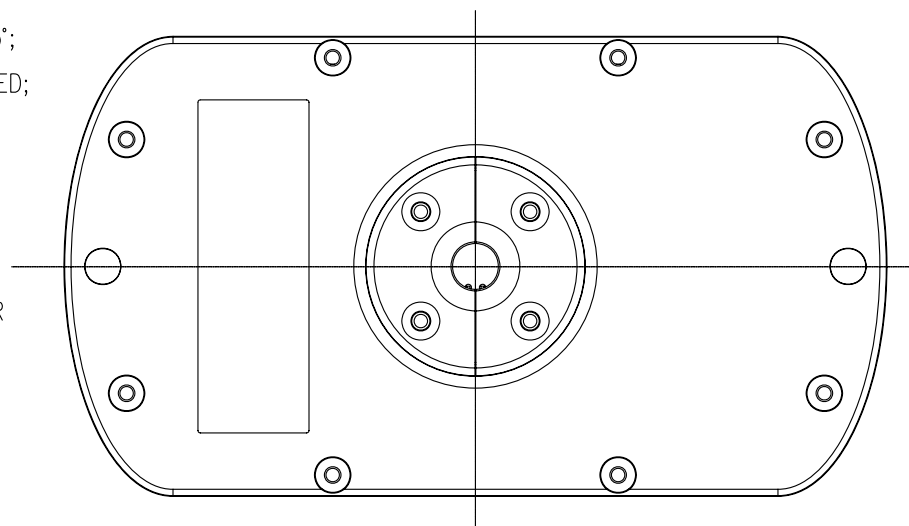


REV.	DESCRIPTION	PROJECT /DATE	APPROVAL /DATE
1.1	Have tolerance for Cable length.	2016.06.29	2016.06.30



NOTES:

1. U.O.S. GEN. TOLERANCES ± 0.1 . ANGLE $\pm 0.3^\circ$;
2. ALL CORNER SHOULD BE R0.3 UNLESS SPECIFIED;
3. ALL WALL THK. SHOULD BE 1.6MM UNLESS SPECIFIED;
4. ALL RIB THK. SHOULD BE 1.0MM UNLESS SPECIFIED;
5. PARTS MUST FREE OF FLASH, SHRINK MARK OR ANY MOLDING IMPERFECTION;
6. ALL 'R' ARE QUADRANT OF ARC UNLESS SPECIFIED;



ALL DIMENSIONS ARE IN MM

AUDIO DEVELOPMENT ORGANIZATION		
DESCRIPTION: Layout	MODEL NO.: REM-70B	
MATERIAL/COLOUR:	PART NO.:	
	QTY:	
	CAD FILE:layout.dwg	
FINISH:	SCALE: 1 : 1	REV.: 1.1
DRAWN:	CHK BY:	APPR BY:
DATE:	DATE:	DATE:
UNIT: MM	*** DO NOT SCALE DRAWING ***	
		A3