

# **COPILOT ACCESSORY**

**FOR POWERDRIVE**

**Owner's Manual**

Compatible with PowerDrive motors manufactured 2017 or after.

# INTRODUCTION

## THANK YOU

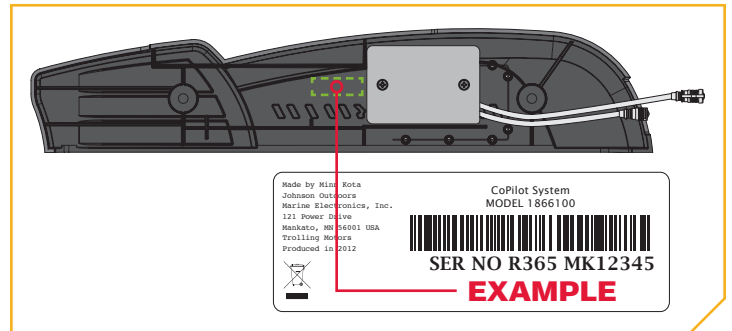
Thank you for choosing Minn Kota. We believe that you should spend more time fishing and less time positioning your boat. That's why we build the smartest, toughest, most intuitive trolling motors on the water. Every aspect of a Minn Kota trolling motor is thought out and rethought until it's good enough to bear our name. Countless hours of research and testing provide you the Minn Kota advantage that can truly take you "Anywhere. Anytime." We don't believe in shortcuts. We are Minn Kota. And we are never done helping you catch more fish.

## REGISTRATION

Remember to keep your receipt and immediately register your product. A registration card is included with your product or you can complete registration on our website at [minnkotamotors.com](http://minnkotamotors.com).

## SERIAL NUMBER

Your Minn Kota 11-character serial number is very important. It helps to determine the specific model and year of manufacture. When contacting Consumer Service or registering your product, you will need to know your product's serial number. We recommend that you write the serial number down so that you have it available for future reference.



**NOTICE:** The serial number on your CoPilot is located on a label inside your product package. We recommend placing the label on the inside of the Sideplate or storing your serial number label in a secure location.

Model: \_\_\_\_\_

Serial Number: \_\_\_\_\_

Purchase Date: \_\_\_\_\_

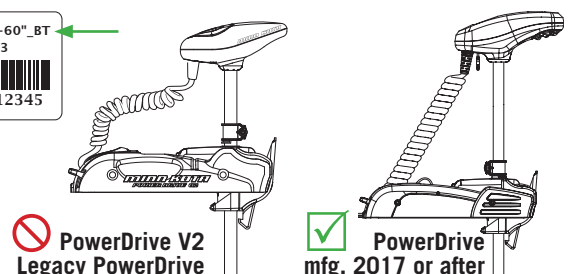
Store Where Purchased: \_\_\_\_\_

**NOTICE:** Do not return your Minn Kota motor to your retailer. Your retailer is not authorized to repair or replace this unit. You may obtain service by: calling Minn Kota at (800) 227-6433; returning your motor to the Minn Kota Factory Service Center; sending or taking your motor to any Minn Kota authorized service center. A list of authorized service centers is available on our website, at [minnkotamotors.com](http://minnkotamotors.com). Please include proof of purchase, serial number and purchase date for warranty service with any of the above options.

Please thoroughly read this user manual. Follow all instructions and heed all safety and cautionary notices. Use of this product is only permitted for persons that have read and understood these user instructions. Minors may use this accessory only under adult supervision.

## COMPATIBLE WITH POWERDRIVE MOTORS MANUFACTURED 2017 OR AFTER.

This remote is not compatible with PowerDrive V2 or Legacy PowerDrive motors. Check to see that the model name on your serial number tag includes "BT" to ensure compatibility. Model names that do not end in "BT" are not compatible with this remote. Motors manufactured in 2017 have a serial number that begins with the letter R. Serial Numbers starting with a letter before R in the alphabet were manufactured prior to 2017, and are therefore not compatible.



# TABLE OF CONTENTS

////////////////////////////////////

<b>WARRANTY</b> .....	4
<b>FEATURES</b> .....	5
<b>INSTALLATION</b> .....	6
Installing the CoPilot Receiver .....	7
<b>COPILOT</b> .....	11
Controlling the Motor with CoPilot.....	11
CoPilot General Operation .....	11
Audio Modes .....	12
Adding/Removing Remotes.....	13
To "Learn" Remotes .....	13
To Erase All Remotes from the Receiver .....	13
Replacing the Battery .....	14
<b>COMPLIANCE STATEMENTS</b> .....	16
Environmental Compliance Statement .....	16
WEEE Directive .....	16
Disposal.....	16
Regulatory Compliance Information.....	16
FCC Compliance.....	17
Industry Canada Compliance .....	17
Environmental Ratings .....	17
Radio Operation .....	17
<b>SERVICE &amp; MAINTENANCE</b> .....	18
Troubleshooting.....	18
For Further Troubleshooting and Repair .....	18
<b>PARTS DIAGRAM &amp; PARTS LIST</b> .....	19

# WARRANTY

## WARRANTY ON MINN KOTA COPILOT ACCESSORIES

Johnson Outdoors Marine Electronics, Inc. ("JOME") extends the following limited warranty to the original retail purchaser only. Warranty coverage is not transferable.

### Minn Kota Limited One-Year Warranty on the Entire Product

JOME warrants to the original retail purchaser only that the purchaser's new Minn Kota CoPilot Accessory will be materially free from defects in materials and workmanship appearing within one (1) year after the date of purchase. JOME will (at its option) either repair or replace, free of charge, any parts found by JOME to be defective during the term of this warranty. Such repair, or replacement shall be the sole and exclusive liability of JOME and the sole and exclusive remedy of the purchaser for breach of this warranty.

### Exclusions & Limitations

This limited warranty does not apply to products that have been used commercially or for rental purposes. This limited warranty does not cover normal wear and tear, blemishes that do not affect the operation of the product, or damage caused by accidents, abuse, alteration, modification, shipping damages, negligence of the user or misuse, improper or insufficient care or maintenance. **DAMAGE CAUSED BY THE USE OF OTHER REPLACEMENT PARTS NOT MEETING THE DESIGN SPECIFICATIONS OF THE ORIGINAL PARTS WILL NOT BE COVERED BY THIS LIMITED WARRANTY.** The cost of normal maintenance or replacement parts which are not in breach of the limited warranty are the responsibility of the purchaser. Prior to using products, the purchaser shall determine the suitability of the products for the intended use and assumes all related risk and liability. Any assistance JOME provides to or procures for the purchaser outside the terms, limitations or exclusions of this limited warranty will not constitute a waiver of the terms, limitations or exclusions, nor will such assistance extend or revive the warranty. JOME will not reimburse the purchaser for any expenses incurred by the purchaser in repairing, correcting or replacing any defective products or parts, except those incurred with JOME's prior written permission. **JOME'S AGGREGATE LIABILITY WITH RESPECT TO COVERED PRODUCTS IS LIMITED TO AN AMOUNT EQUAL TO THE PURCHASER'S ORIGINAL PURCHASE PRICE PAID FOR SUCH PRODUCT.**

### Minn Kota Service Information

To obtain warranty service in the U.S., the product believed to be defective, and proof of original purchase (including the date of purchase), must be presented to a Minn Kota Authorized Service Center or to Minn Kota's factory service center in Mankato, MN. Any charges incurred for service calls, transportation or shipping/freight to/from the Minn Kota Authorized Service Center or factory, labor to haul out, remove, re-install or re-rig products removed for warranty service, or any other similar items are the sole and exclusive responsibility of the purchaser. Products purchased outside of the U.S. must be returned prepaid with proof of purchase (including the date of purchase and serial number) to any Authorized Minn Kota Service Center in the country of purchase. Warranty service can be arranged by contacting a Minn Kota Authorized Service Center or by contacting the factory at 1-800-227-6433 or email [service@minnkotamotors.com](mailto:service@minnkotamotors.com). **Products repaired or replaced will be warranted for the remainder of the original warranty period [or for 90 days from the date of repair or replacement, whichever is longer]. For any product that is returned for warranty service that JOME finds to be not covered by or not in breach of this limited warranty, there will be a billing for services rendered at the prevailing posted labor rate and for a minimum of at least one hour.**

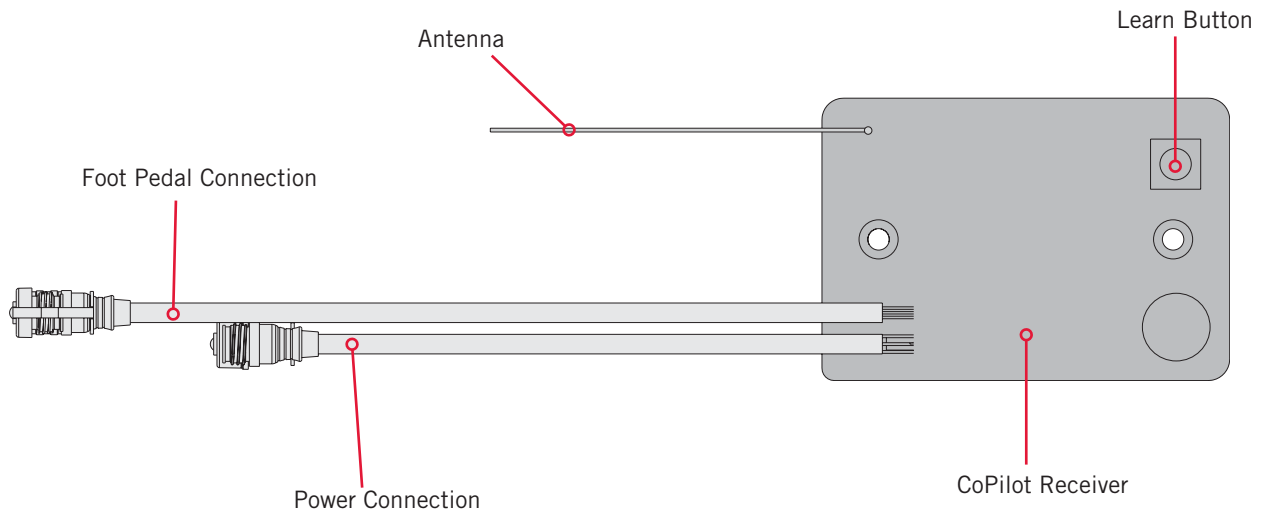
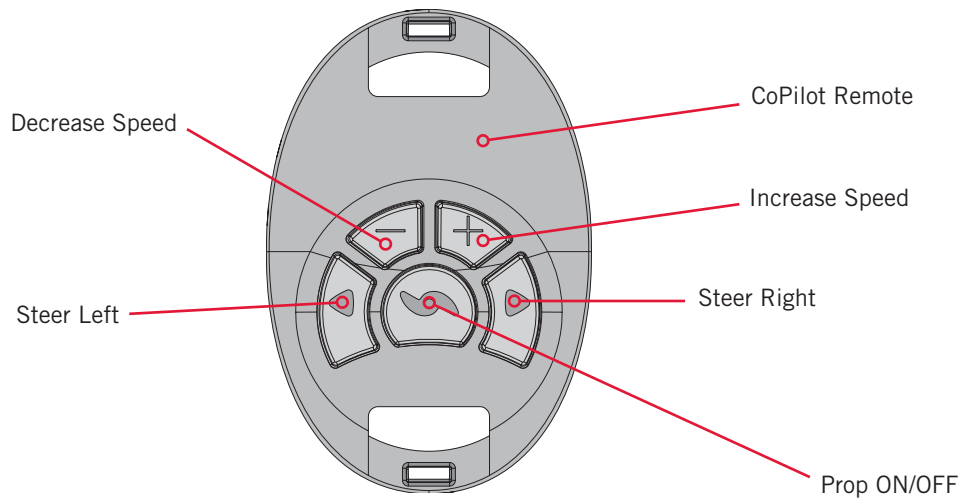
**NOTICE:** Do not return your Minn Kota product to your retailer. Your retailer is not authorized to repair or replace products.

**NOTICE:** THERE ARE NO EXPRESS WARRANTIES OTHER THAN THESE LIMITED WARRANTIES. IN NO EVENT SHALL ANY IMPLIED WARRANTIES INCLUDING ANY IMPLIED WARRANTIES OF MERCHANTABILITY OR FITNESS FOR PARTICULAR PURPOSE, EXTEND BEYOND THE DURATION OF THE RELEVANT EXPRESS LIMITED WARRANTY. IN NO EVENT SHALL JOME BE LIABLE FOR PUNITIVE, INDIRECT, INCIDENTAL, CONSEQUENTIAL OR SPECIAL DAMAGES. Without limiting the foregoing, JOME assumes no responsibility for loss of use of product, loss of time, inconvenience or other damage.

Some states do not allow limitations on how long an implied warranty lasts or the exclusion or limitation of incidental or consequential damages, so the above limitations and/or exclusions may not apply to you. This warranty gives you specific legal rights and you may also have other legal rights which vary from state to state.



# FEATURES



**NOTICE:** Specifications subject to change without notice. This diagram is for reference only and may differ from your actual motor.

# INSTALLATION

## INSTALLING THE COPILOT

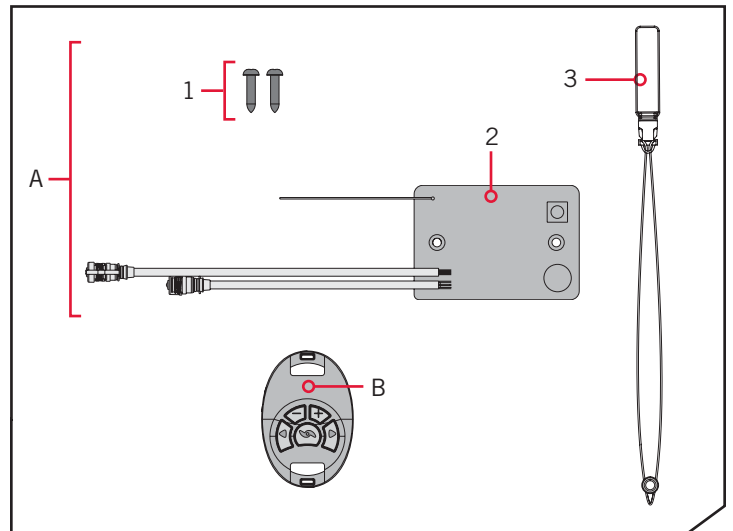
Your new CoPilot accessory comes with everything you'll need to directly install it on your trolling motor. These instructions are intended to show how to install your CoPilot into the PowerDrive. Please review the parts list, mounting considerations and tools needed for installation prior to getting started. For additional product support, please visit [minnkotamotors.com](http://minnkotamotors.com).

### INSTALLATION PARTS LIST >

Item / Assembly	Part #	Description	Qty.
A	2994112	CTRL BOARD V2 COPILOT RECEIVER	1
B	2994020	TRANSMTR, ASY, PD/AP COPLT (SUB)	1
1	2373418	SCREW-#8 X 5/8 PPHSMS S/S	2
2	2374092	CTRL BOARD V2 COPILOT RECEIVER	1
3	2390801	LANYARD, REMOTE	1
▲	2377166	MANUAL - CO-PILOT POWERDRIVE	1

\* This part is included in an assembly and cannot be ordered individually.

▲ Not shown on Parts Diagram.



### MOUNTING CONSIDERATIONS >

## WARNING

We recommend installing your CoPilot while the boat is on your trailer in a stable position. The motor should be secured and disconnected from a power source before beginning installation.

### TOOLS AND RESOURCES REQUIRED >

- #2 Phillips Screw Driver
- #3 Phillips Screw Driver

## INSTALLATION >

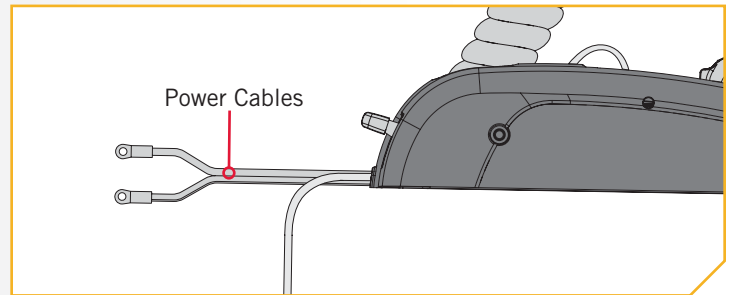
### > Installing the CoPilot Receiver

- 1 a. Make sure that the Power Cables from the battery are disconnected, or that the breaker, if equipped, is "off."

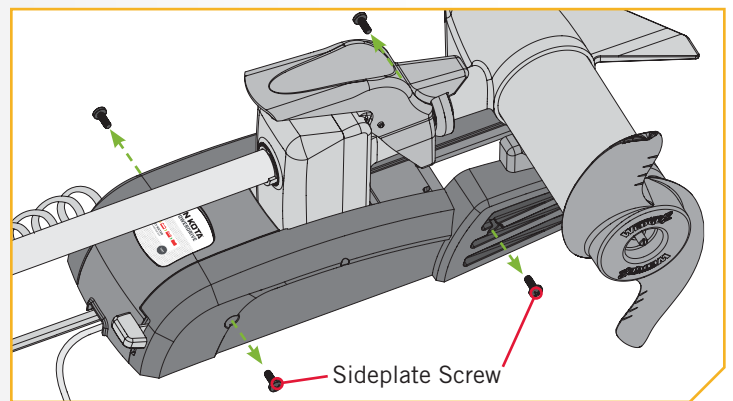


## WARNING

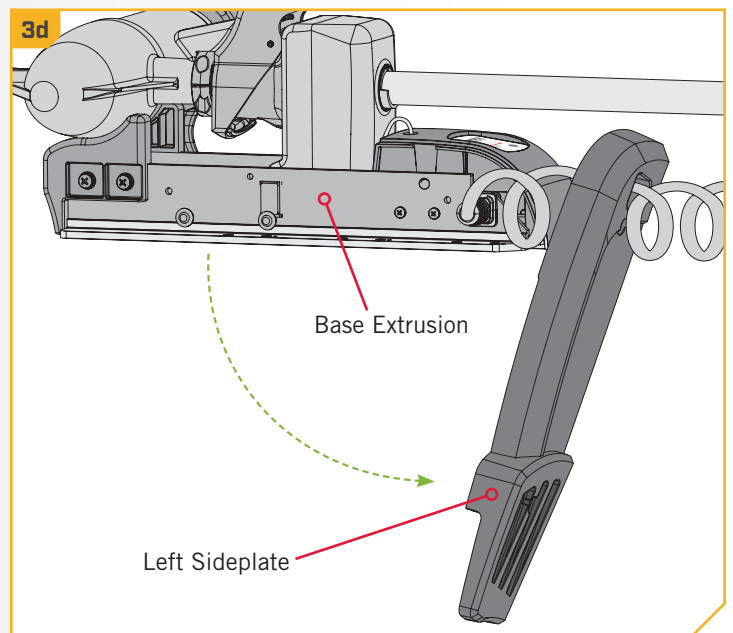
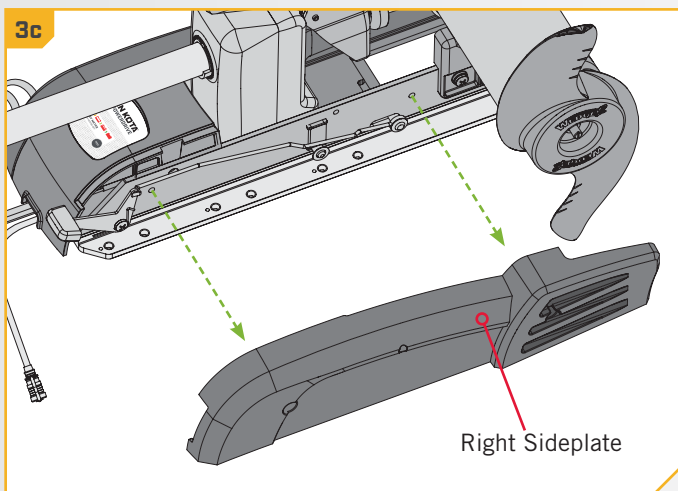
Make sure the motor is mounted on a level surface and is not connected to a power source.



- 2 b. Using a #2 Phillips Screwdriver, remove the four 1/4-20 x 5/8" Screws from the Right Sideplate and Left Sideplate of the PowerDrive mount.



- 3 c. Remove the Right Sideplate.
- d. Swing the Left Sideplate out and away from the Base Extrusion.

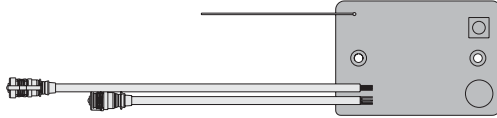


# INSTALLATION

4

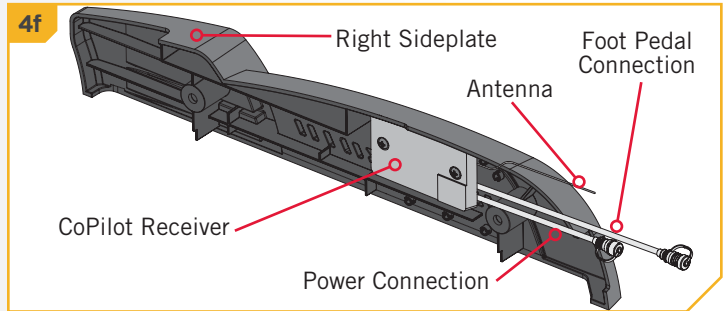
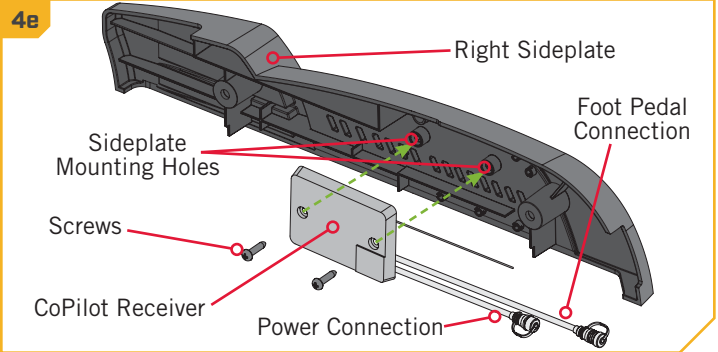
## ITEM(S) NEEDED

#1 x 2



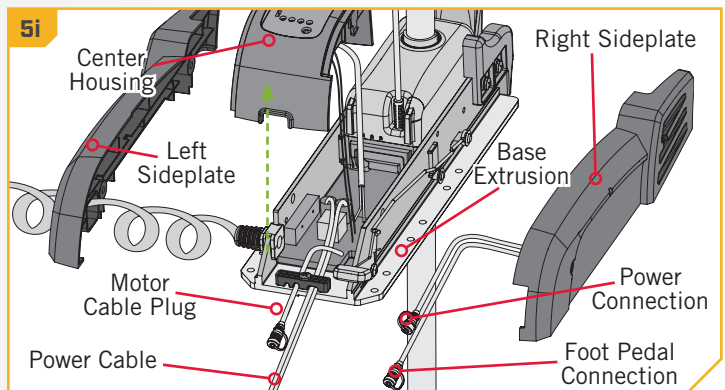
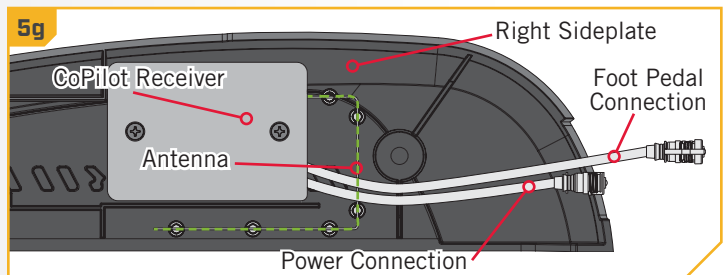
#2 x 1

- e. Turn the Right Sideplate over and position the CoPilot Receiver (Item #2) on the inside of the Right Sideplate so that the receiver mounting holes are aligned with the Sideplate Mounting Holes. Position the wires so that they pass to the right of the CoPilot Receiver. This should consist of a Foot Pedal Connection, a Power Connection and an Antenna wire.
- f. Using the two #8 x 5/8" screws (Item #1) provided, insert the screws through the receiver and into the Right Sideplate. Be sure that the wires are not pinched in the Sideplate Mounting Holes when tightening the two screws. Do not over tighten.



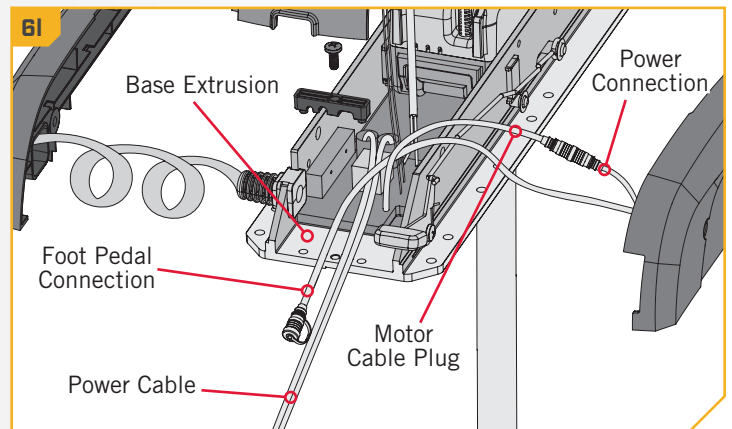
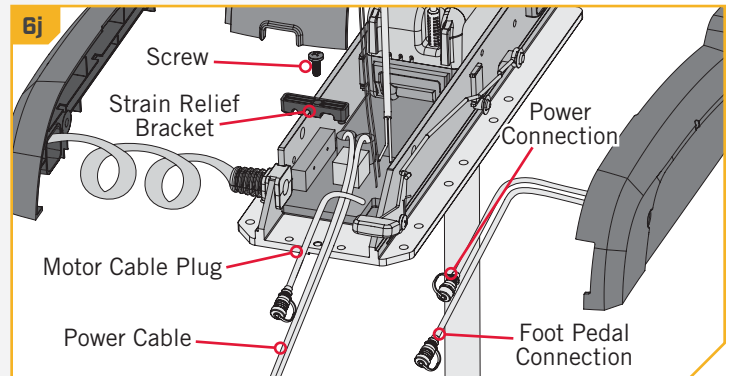
5

- g. With the Right Sideplate laying flat, and the CoPilot receiver that was just installed facing upwards, route the yellow wire antenna around the pegs protruding from the Right Sideplate along the right and bottom edge of the CoPilot Receiver. Follow the grooves in each of the pegs.
- h. Deploy the motor.
- i. On the mount, lift the Center Housing to access the components below. The Center Housing can be released by depressing the tabs on each side that keep it latched to the Base Extrusion.



## 6

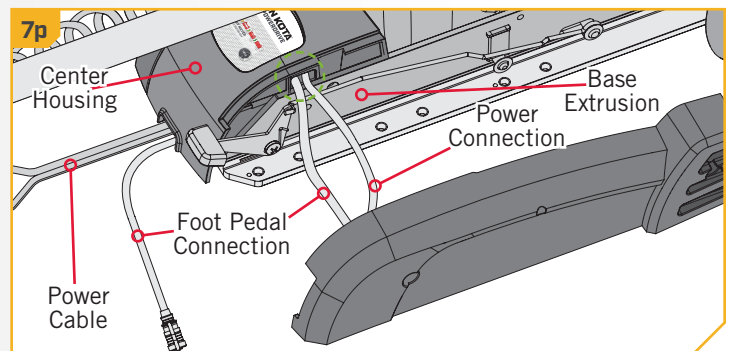
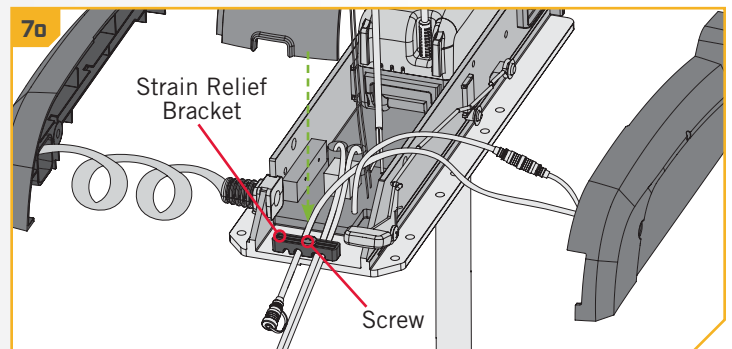
- j. Once lifted, using a #3 Screwdriver, remove the single screw holding the Strain Relief Bracket in place.
- k. Release the Power Cable and Motor Cable Plug from the Strain Relief Bracket.
- l. Connect the Motor Cable Plug that was previously connected to the Foot Pedal to the CoPilot receiver Power Connection that has the female receptacles.
- m. The Foot Pedal Connection from the CoPilot receiver can be connected to the Foot Pedal once the installation is complete.
- n. Place the Power Cable and the Foot Pedal Connection from the CoPilot Receiver on the Base Extrusion so that it can be captured in the Strain Relief Bracket.



## 7

- o. Using a #3 Screwdriver, replace the screw that was holding the Strain Relief Bracket in place.
- p. Be sure that the wires are routed in a way that they can not be pinched and reseat the Center Housing in place.

**NOTICE:** The wires should pass under the Center Housing over the Base Extrusion in the notch that creates a separation from the base and the housing. The connection between the Motor Cable Plug and the Power Connection should be under the Center Housing when it is seated.

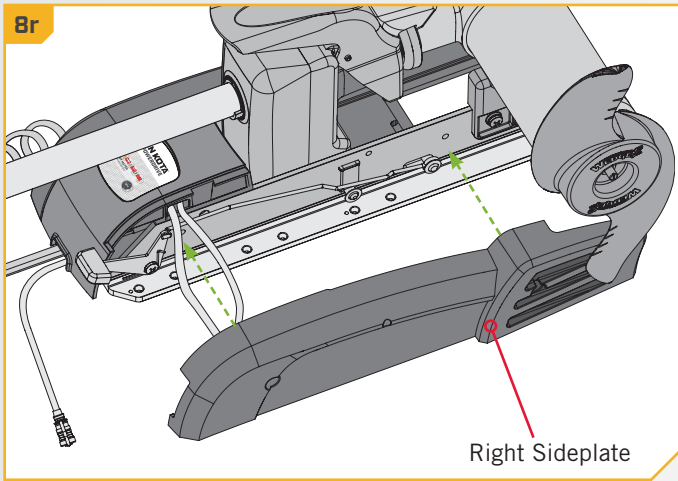


# INSTALLATION

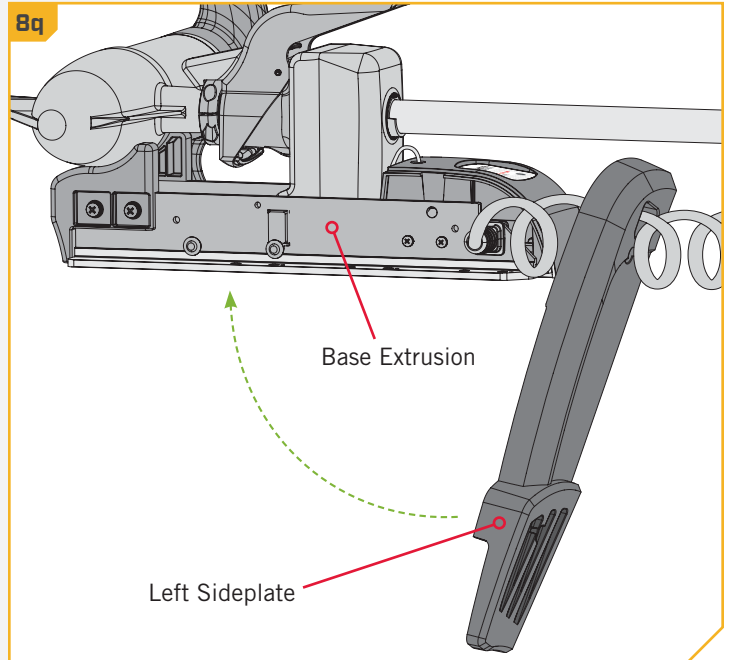
**8**

- q. Once the wires are in place and the Center Housing is seated, stow the motor to replace the Left Sideplate
- r. Replace the Right Sideplate.

**8r**

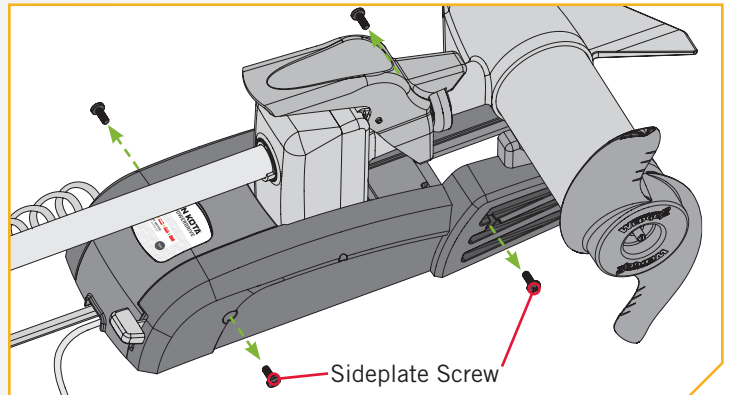


**8q**



**9**

- s. Using a #2 Phillips Screwdriver, replace the four 1/4-20 x 5/8" Screws from the Right Sideplate and Left Sideplate of the PowerDrive mount.

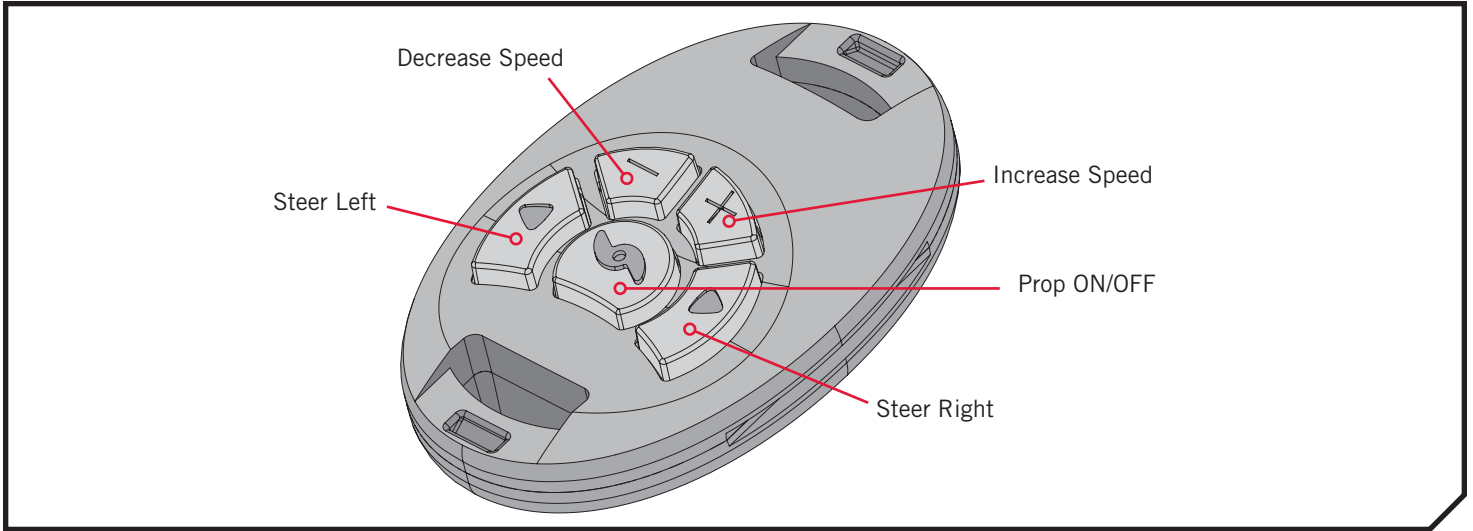




# COPILOT

## CONTROLLING THE MOTOR WITH COPILOT

Review the complete CoPilot section of this manual to become familiar with this feature. For more information on CoPilot or for additional product support, please visit [minnkotamotors.com](http://minnkotamotors.com).



### › Prop ON/OFF

This button is located in the middle of the remote. It turns the propeller on or off. Press the button once to turn the propeller ON; press button a second time to turn it OFF. The button does not need to be held down.

### › Steer Left & Steer Right

These buttons are located to the right and left of the Prop ON/OFF button and have an arrow symbol. They cause the motor to turn in the desired direction as long as the button is held down. If the Steer Right or Steer Left button is held for more than seven seconds, the steering will automatically stop until the button is pressed again.

### › Increase Speed & Decrease Speed

The Increase Speed and Decrease Speed buttons are located on the top of the remote and are identified with a positive and negative symbol. Pressing and releasing these buttons causes the speed to increase or decrease by increments of 1. The speed is adjustable from level 0-10. At level 0, the prop will not turn.

In audio mode 2, an audible beep is heard for each increment when changing speed. Attempting to go higher than speed 10 or lower than speed 0 will result in the speed not changing and no beep will be heard. See the Audio Mode section for more information.

If the receiver senses no foot pedal or remote operation for 1 hour, the remote speed setting is automatically set to zero. This helps prevent unintentional activation of the propeller if the prop on/off remote button is inadvertently pressed.

## COPILOT GENERAL OPERATION

### › Operating with the Remote and Foot Pedal

- When the Momentary/Constant Switch on the Foot Pedal is in the CON position or when the Momentary Button is held, the receiver WILL NOT RESPOND to any remote commands. When remote commands are received, the receiver will emit an audible chirp. This will indicate that the remote is functioning properly, but the Foot Pedal is active and is overriding the remote.

# COPILOT



- When the Momentary/Constant Switch is in the MOM position, the operator may begin using the remote at any time.
- As soon as any remote button is pressed, the initial speed setting will be set to approximately the same value as the Speed Control value on the Foot Pedal. The prop will not automatically turn on until the Prop ON/OFF button on the remote is pressed.
- Pressing the Momentary Button on the Foot Pedal or adjusting the Speed Control dial will override the remote and receiver function. Control of the motor will automatically go to the Foot Pedal. The prop speed will also revert to the current value of the Speed Control dial on the Foot Pedal.

## › Operating without the Foot Pedal

- If the foot pedal is not being used, the CoPilot receiver will always react to any commands from the CoPilot remote.

## AUDIO MODES

There are three receiver Audio Modes available. The unit is factory set to Audio Mode 2. To switch from one audio mode to another, simultaneously press and hold the increase and decrease speed buttons for one second. The receiver will respond with 1, 2 or 3 audible beeps indicating the corresponding receiver audio mode change.

Audio Mode	Function
Mode 1	All of the normal audible sounds mentioned in this owners manual, but no audible beeps for speed increase/ decrease or prop on/off.
Mode 2	Same as audio mode 1 plus an audible beep for speed increase / decrease and prop on/off.
Mode 3	Same as audio mode 2 plus the prop on audible tick every 1.5 seconds.

**NOTICE:** When the Foot Pedal (if applicable) is operating the motor and the propeller is on, the prop on indicator tick will be heard if the receiver is set to Audio Mode 3.

Audio Pattern	What Condition Causes Audio Pattern	Audio Mode
1 Beep	Pressing the Increase Speed or Decrease Speed button	Modes 2 and 3
1 Beep	Pressing the Prop ON/OFF button to turn the Prop on	Modes 2 and 3
2 Beeps	Pressing the Prop ON/OFF button to turn the Prop off	Modes 2 and 3
Single tick every 1.5 seconds	When the Prop is active including when Speed Control dial is set to 0	Mode 3
1 Beep	Switching to audio Mode 1	All
2 Beeps	Switching to audio Mode 2	All
3 Beeps	Switching to audio Mode 3	All
1 Chirp	Every time the receiver is powered up and there is at least one remote learned	All
2 second long Beep	Every time the receiver is powered up and there are no remotes learned	All
5 Beeps	Speed Control dial on Foot Pedal (if applicable) is moved after speed has been adjusted with remote	All
Steady Tone	Heard while holding down the Learn button on the receiver	All
4 Beeps	Heard after a remote button is pressed while the receiver learns it.	All
Ten second warbling sound that transitions into a steady tone	Heard during the process used to clear all stored remote. after the learn switch is released, a 2 second long beep will be heard	All
1 long Beep, 2 short Beeps, pause (repeat)	Powered up with Momentary/Constant Switch in the CON position (or the Momentary Button held) when the Foot Pedal (if applicable) is moved to momentary, the power up audio will be heard	All

## ADDING/REMOVING REMOTES

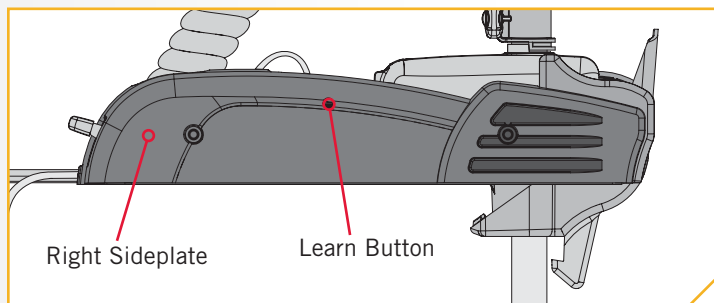
The CoPilot remote came from the factory already "Learned" by the CoPilot receiver. Any additional remotes must be "Learned" by the receiver. The receiver stores all "Learned" information even when the motor is disconnected from a power source.

### › To "Learn" Remotes

Your receiver may learn up to ten remotes. Any additional remotes can be "Learned" using the following steps. This will also work to "Learn" any remote if all remotes are erased from the receiver.

1

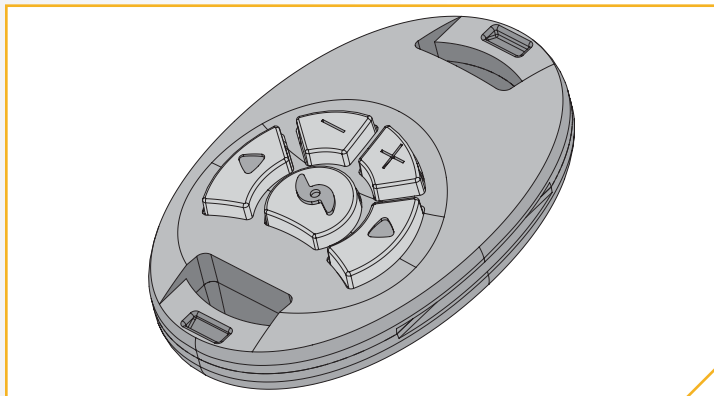
- a. Using a small blunt object such as a pen or screwdriver, press and hold the Learn Button located on the side of the receiver.
- b. The receiver will emit a continuous tone.



2

- c. Press any button on the remote.
- d. The receiver will beep 4 times confirming that it has "Learned" the remote successfully.

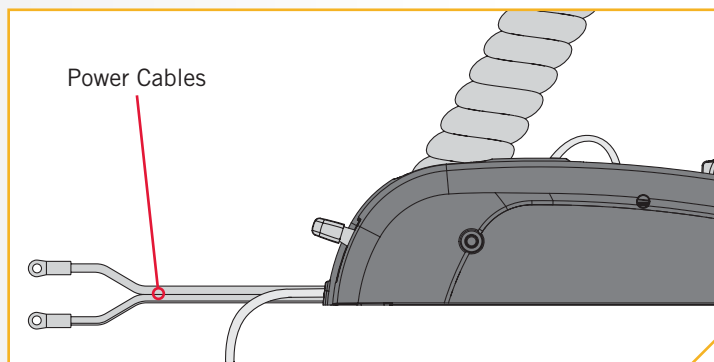
**NOTICE:** "Learning" the same remote will not overwrite previously "Learned" remotes. If the receiver has "Learned" ten remotes, "Learning" an eleventh remote will overwrite the first remote.



### › To Erase All Remotes from the Receiver

1

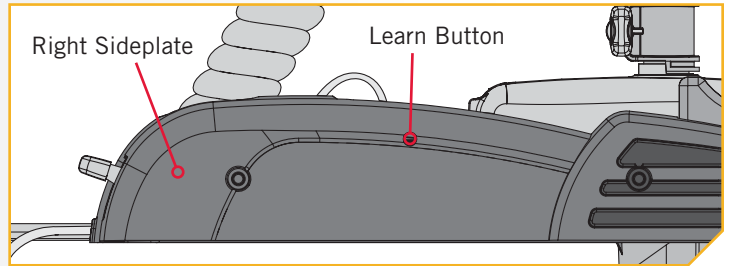
- a. Remove power from the CoPilot receiver by disconnecting the Power Cables, or by making sure that the breaker, if equipped, is "off".



# COPILOT

2

- b. Press and hold the Learn Button and power up the CoPilot receiver by reconnecting the Power Cables, or by making sure that the breaker, if equipped, is "on."
- c. Continue to hold the Learn Button down for 10 seconds. During this time the receiver audio will emit a warble sound, slowly transition to a constant beep and then shut off.
- d. Release the Learn Button and the receiver will reboot. The receiver will emit a 2 second long beep indicating memory is empty. This audio pattern will occur each time the receiver powers up until a remote ID number is "Learned."



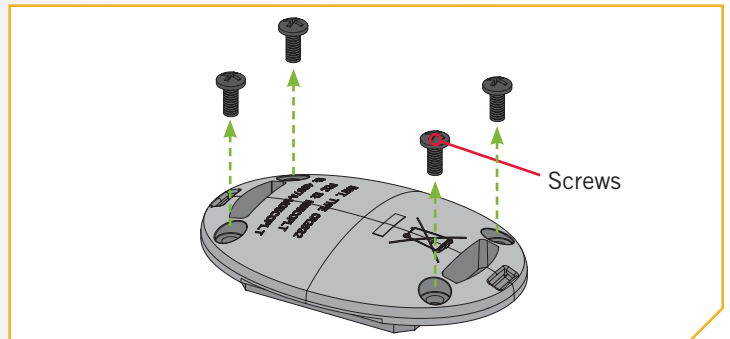
## REPLACING THE BATTERY

1

- a. Temporarily ground yourself by touching a grounded metal object in order to discharge any static electricity in your body.

**NOTICE:** The replacement battery must be a model CR2032 coin cell type. It is strongly recommended that a name brand battery is used.

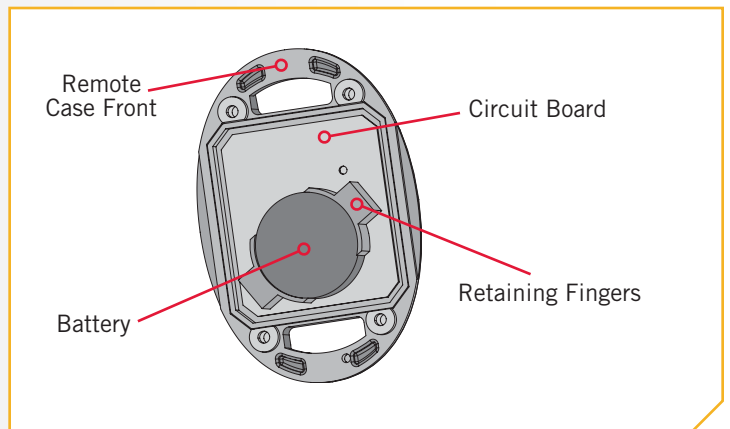
- b. Remove the four screws on the bottom of the remote case.
- c. Separate the case halves to access the circuit board.



2

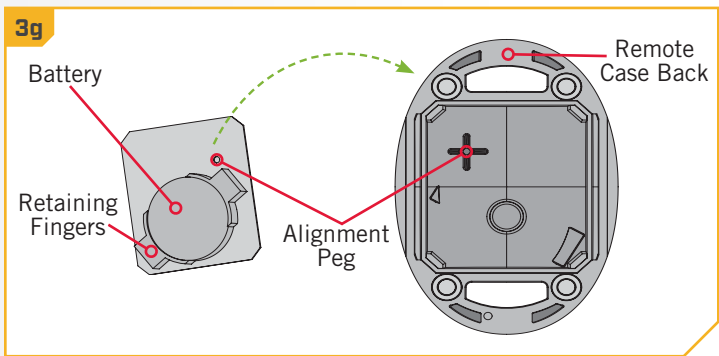
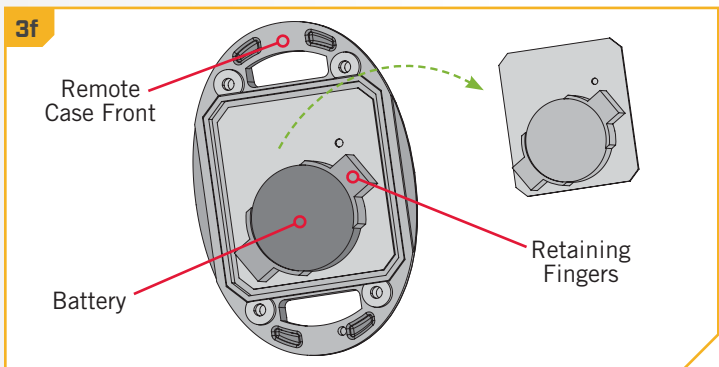
- d. To remove the Battery, place the tip of a finger or thumb under the exposed edge of the Battery and pry it upwards.
- e. Install the new battery with the positive (+) side of the Battery facing up and away from the Circuit Board. Ensure Battery is snapped securely in place.

**NOTICE:** The replacement battery must be a model CR2032 coin cell type. It is strongly recommended that a name brand battery is used.



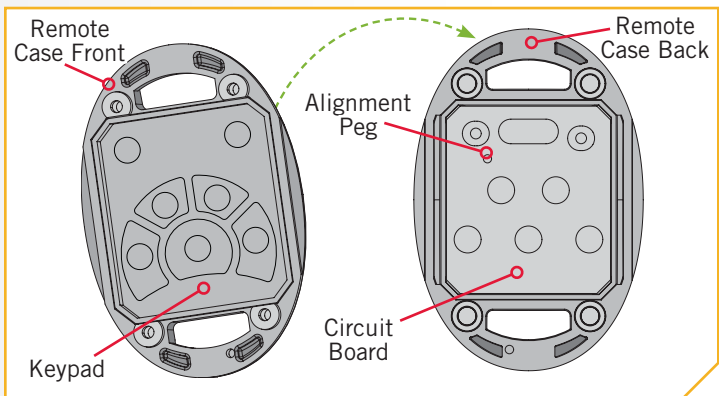
**3**

- f. Reassemble the remote. Begin by removing the board from the front of the remote case. This is the same board that holds the battery. Leave the Keypad in place on the front of the remote.
- g. Note that the alignment peg in the back of remote case must line up with the corresponding alignment hole in the circuit board. Place the board with the battery facing down on the back of the remote case.



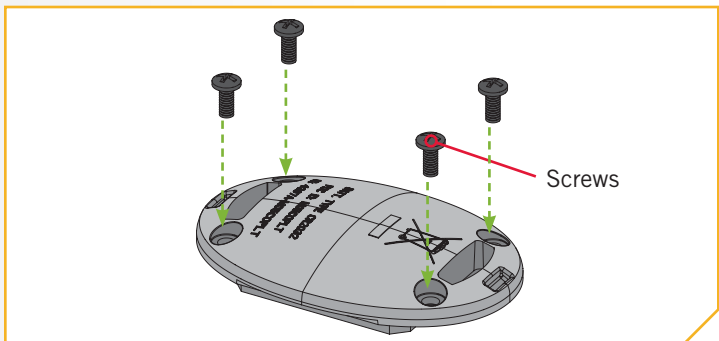
**4**

- h. Position the back of the remote case so that the Alignment peg is towards the top when the remote is laying on a flat surface. Position the front of the remote case so the keypad and the curved buttons are towards the bottom when the remote is laying on a flat surface.
- i. Keep the back of the Remote Case flat. Place the front of the Remote Case, with the Keypad in place, on the back of the Remote Case. Make sure the Case is seated.



**5**

- j. Reinstall the four case screws and tighten them as required.



# COMPLIANCE STATEMENTS

## ENVIRONMENTAL COMPLIANCE STATEMENT

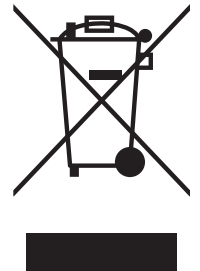
It is the intention of JOME to be a responsible corporate citizen, operating in compliance with known and applicable environmental regulations, and a good neighbor in the communities where we make or sell our products.

### WEEE DIRECTIVE

EU Directive 2002/96/EC “Waste of Electrical and Electronic Equipment Directive (WEEE)” impacts most distributors, sellers, and manufacturers of consumer electronics in the European Union. The WEEE Directive requires the producer of consumer electronics to take responsibility for the management of waste from their products to achieve environmentally responsible disposal during the product life cycle.

WEEE compliance may not be required in your location for electrical & electronic equipment (EEE), nor may it be required for EEE designed and intended as fixed or temporary installation in transportation vehicles such as automobiles, aircraft, and boats. In some European Union member states, these vehicles are considered outside of the scope of the Directive, and EEE for those applications can be considered excluded from the WEEE Directive requirement.

This symbol (WEEE wheelie bin) on product indicates the product must not be disposed of with other household refuse. It must be disposed of and collected for recycling and recovery of waste EEE. Johnson Outdoors Inc. will mark all EEE products in accordance with the WEEE Directive. It is our goal to comply in the collection, treatment, recovery, and environmentally sound disposal of those products; however, these requirements do vary within European Union member states. For more information about where you should dispose of your waste equipment for recycling and recovery and/or your European Union member state requirements, please contact your dealer or distributor from which your product was purchased.



### DISPOSAL

Minn Kota motors are not subject to the disposal regulations EAG-VO (electric devices directive) that implements the WEEE directive. Nevertheless never dispose of your Minn Kota motor in a garbage bin but at the proper place of collection of your local town council.

Never dispose of battery in a garbage bin. Comply with the disposal directions of the manufacturer or his representative and dispose of them at the proper place of collection of your local town council.

## REGULATORY COMPLIANCE INFORMATION

### MODEL: COPILOT

- IC: 4397A-M05COPLT
- FCC ID: M05COPLT







FCC COMPLIANCE

This device complies with Part 15 of the FCC rules. Operation is subject to the following two conditions:

- 1. This device may not cause harmful interference.
2. This device must accept any interference that may be received, including interference that may cause undesired operation.

Changes or modifications not expressly approved by Johnson Outdoors Marine Electronics, Inc. could void the user's authority to operate this equipment.

NOTICE: This equipment has been tested and found to comply with the limits for a Class B digital device, pursuant to part 15 of the FCC Rules. These limits are designed to provide reasonable protection against harmful interference in a residential installation. This equipment generates, uses and can radiate radio frequency energy and, if not installed and used in accordance with the instructions, may cause harmful interference to radio communications. However, there is no guarantee that interference will not occur in a particular installation. If this equipment does cause harmful interference to radio or television reception, which can be determined by turning the equipment off and on, the user is encouraged to try to correct the interference by one or more of the following measures:
- Reorient or relocate the receiving antenna.
- Increase the separation between the equipment and receiver.
- Connect the equipment into an outlet on a circuit different from that to which the receiver is connected.
- Consult the dealer or an experienced radio/TV technician for help.

INDUSTRY CANADA COMPLIANCE

This product meets the applicable Industry Canada technical specifications. Operation is subject to the following two conditions: (1) this device may not cause interference, and (2) this device must accept any interference, including interference that may cause undesired operation of the device.

Changes or modifications not expressly approved by Johnson Outdoors Marine Electronics, Inc. could void the user's authority to operate this equipment.

ENVIRONMENTAL RATINGS

- Ambient operating temperature range: -10C to 50C
Ambient operating humidity range: 5% to 95%
Maximum operating altitude: 10,000 feet

RADIO OPERATION

- Frequency band: 433.92 MHz
Maximum RF power transmitted: +7 dBm



# SERVICE & MAINTENANCE

## TROUBLESHOOTING THE COPILOT

Cause	Effect	Solution
Remote is not transmitting.	The battery is discharged.	Replace battery.
	Receiver may not have "learned" the remote.	Remote needs to be learned. See the Adding/Removing Remotes section of this manual to learn the remote.
	With the foot pedal (if applicable) connected, the MOM-CON switch is in the CON position. An audio response will be heard if a button is pressed with the foot pedal in the CON position.	The foot pedal (if applicable) switch must be placed in Momentary Mode (MOM). The receiver will not accept any commands from the remote with the switch in the Constant Mode (CON) position.
	If remote has been taken apart, the keypad and top case may have been installed backwards.	Take remote apart. See the Replacing the Battery section of this manual and reinstall case halves with the proper orientation.
When receiver is powered up, it sounds a beep pattern (1 long beep, 2 short beeps, pause, repeat).	The foot pedal (if applicable) Momentary/Constant Switch is in the CON position.	The foot pedal (if applicable) switch must be placed in the MOM position. The beeping sound will continue until the switch is placed in the MOM position.
The prop is not turning but the Prop ON audio pattern is still going.	Prop Speed is set at "0".	Increase the Prop Speed above "0"
	The Prop ON audio pattern occurs only in Audio Mode 3	Switch Audio Mode to either Audio 1 or 2. See the Audio Modes section of this manual.

## FOR FURTHER TROUBLESHOOTING AND REPAIR

We offer several options to help you troubleshoot and/or repair your product. Please read through the options listed below.



### Buy Parts Online

You can buy parts on-line directly from our website at [minnkotamotors.com](http://minnkotamotors.com). Orders confirmed by 12 noon central time will ship same day if in stock. Orders after 12 noon central time will ship the next business day if in stock.



### Frequently Asked Questions

We have FAQs available on our website to help answer all of your Minn Kota questions. Visit [minnkotamotors.com](http://minnkotamotors.com) and click on "Frequently Asked Questions" to find an answer to your question.



### Call Us (for U.S. and Canada)

Our consumer service representatives are available Monday – Friday between 7:00 a.m. – 4:30 p.m. CST at 800-227-6433. If you are calling to order parts, please have the 11-character serial number from your product, specific part numbers, and credit card information available. This will help expedite your call and allow us to provide you with the best consumer service possible. You can reference the parts list located in your manual to identify the specific part numbers.



### Email Us

You can email our consumer service department with questions regarding your Minn Kota products. To email your question, visit [minnkotamotors.com](http://minnkotamotors.com) and click on "Support".



### Authorized Service Centers

Minn Kota has over 800 authorized service centers in the United States and Canada where you can purchase parts or get your products repaired. Please visit our Authorized Service Center page on our website to locate a service center in your area.



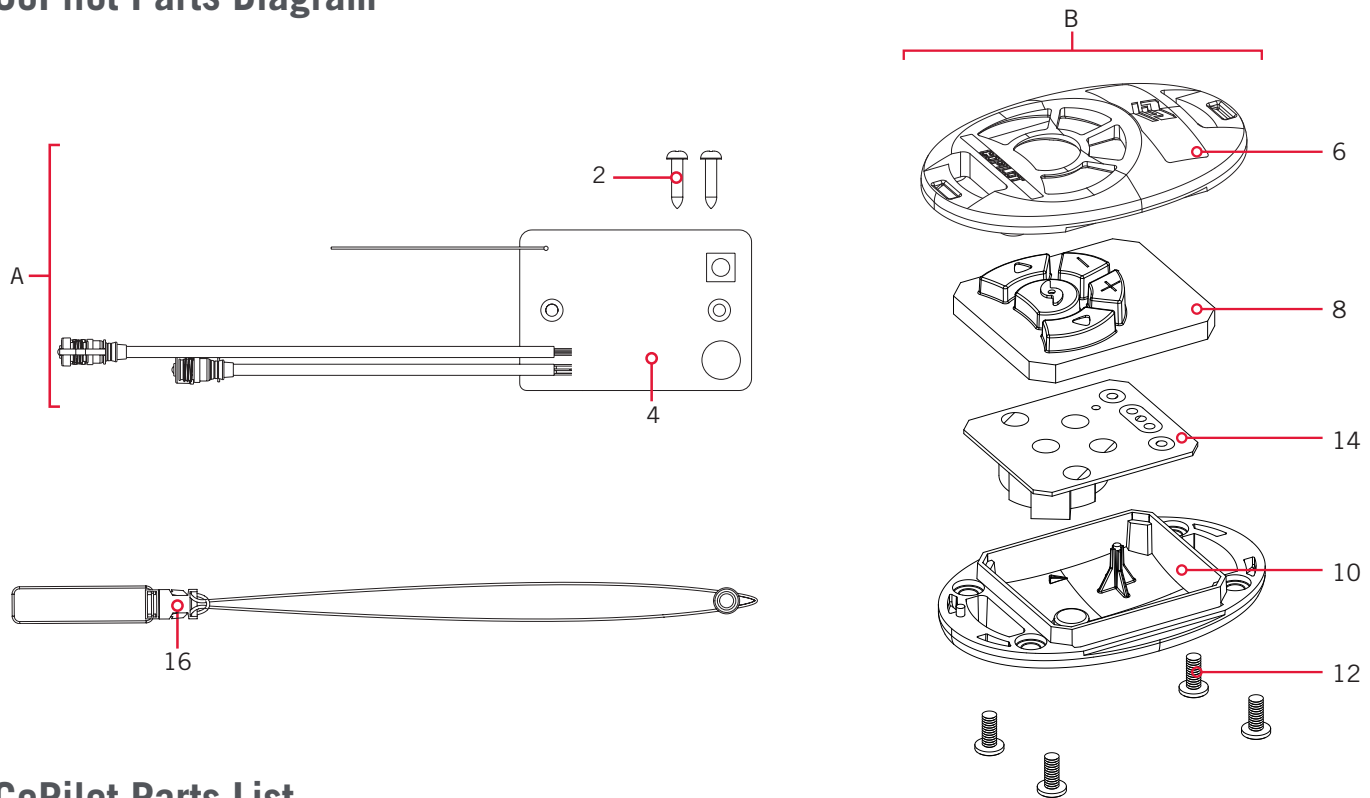
Scan to visit Minn Kota service online.

# PARTS DIAGRAM & PARTS LIST

## COPILOT ACCESSORY

### POWERDRIVE >

### > CoPilot Parts Diagram



### > CoPilot Parts List

Assembly	Part #	Description	Quantity
A	2994112	CTRL BOARD V2 COPILOT Receiver	1
B	2994020	TRANSMTR, ASY, PD/AP COPLT	1
Item	Part #	Description	Quantity
2	2373418	SCREW-#8 X 5/8 PPHSMS S/S	2
4	2374092	CTRL BOARD V2 COPILOT RECEIVER	1
6	2372503	CASE, COVER, TRANSMITTER ASY	1
8	2375110	KEYPAD, TRANSMITTER ASSY	1
10	2372505	CASE, BOTTOM, TRANSMITTER ASSY	1
12	2373440	SCREW-#4-24 X 1/4 PHCR SS TY B	4
14	✘	PCB ASY, CO-PILOT TRANSMITTER	1
16	2390801	LANYARD, REMOTE	1
▲	2005621	DECAL - CE/RCM/WEE CMLPNC.MARK	1
▲	2377166	MANUAL-CO-PILOT V3	1

✘ This part is included in an assembly and cannot be ordered individually.

▲ Not shown on Parts Diagram.

# RECOMMENDED ACCESSORIES

## ON-BOARD & PORTABLE BATTERY CHARGERS

Stop buying new batteries and start taking care of the ones you've got. Many chargers can actually damage your battery over time – creating shorter run times and shorter overall life. Digitally controlled Minn Kota chargers are designed to provide the fastest charge that protect and extend battery life.



MK212PC



MK210D



MK110PD

## TALON SHALLOW WATER ANCHOR

Introducing the all-new, sleek redesigned Talon. Talon is the only shallow water anchor with up to 15' of anchoring depth, multiple anchoring modes, and control from the bow, transom, console, remote or mobile device.



### BUILT-IN WORK LIGHT

Lets you tie lines and work from the transom any time of day — or night. Includes both white and blue LED lights with three brightness settings.



### UP TO 15' DEEP

Control more water and catch more fish with the first 15' shallow water anchor.



### BLUETOOTH® CONNECTIVITY

Lets you control Talon from your mobile device and easily update it. Also opens up communication to other control options.



### MORE CONTROL OPTIONS

- Control Panel
- Wireless Remote
- Mobile App
- Wireless Foot Switch
- Humminbird® Connectivity
- i-Pilot® & i-Pilot Link™ Remote



## MINN KOTA ACCESSORIES

We offer a wide variety of trolling motor accessories, including:

- 60-Amp Circuit Breaker
- Mounting Brackets
- Stabilizer Kits
- Extension Handles
- Battery Connectors
- Battery Boxes
- Quick Connect Plugs



minnkotamotors.com



Part #2377166

Minn Kota Consumer & Technical Service  
Johnson Outdoors Marine Electronics, Inc.  
PO Box 8129  
Mankato, MN 56001

ECN 40105

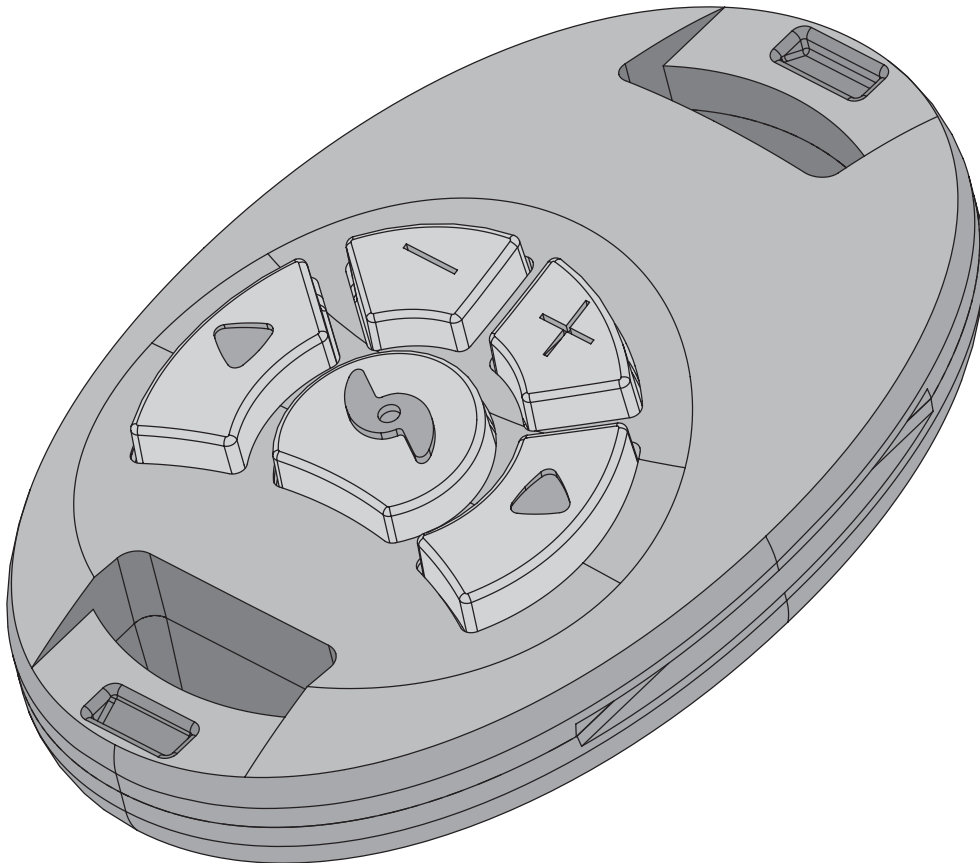
121 Power Drive  
Mankato, MN 56001  
Phone (800) 227-6433  
Fax (800) 527-4464



©2019 Johnson Outdoors Marine Electronics, Inc.  
All rights reserved.

Rev D

09/19



# ACCESSOIRE COPILOT

**POUR POWERDRIVE**

**Manuel du Propriétaire**

Compatible avec les moteurs PowerDrive fabriqués en 2017 ou après.

# INTRODUCTION

## MERCI

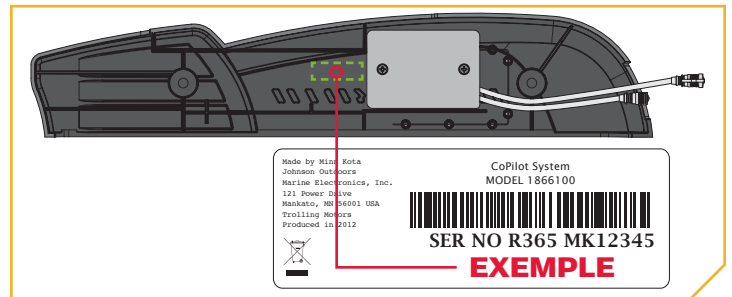
Nous vous remercions d'avoir choisi Minn Kota. Nous sommes persuadés que vous devriez consacrer plus de temps à pêcher et moins de temps à amarrer votre embarcation. C'est pourquoi nous construisons les propulseurs électriques les plus intelligents, les plus solides et les plus faciles à utiliser. Chaque aspect d'un propulseur électrique Minn Kota est réfléchi et étudié jusqu'à ce qu'il soit digne de porter notre nom. Nous avons investi des heures incalculables de recherche et d'essais pour vous offrir les avantages caractéristiques de Minn Kota, qui vous mène vraiment n'importe où, et n'importe quand. Notre principe est simple, nous faisons les choses selon les règles. Nous sommes Minn Kota. Et nous ne cesserons jamais de vous aider à pêcher plus de poissons.

## ENREGISTREMENT

N'oubliez pas de conserver votre reçu et d'enregistrer immédiatement votre produit. Une fiche d'enregistrement est fournie avec votre produit; vous pouvez également effectuer l'enregistrement sur notre site Web à [minnkotamotors.com](http://minnkotamotors.com).

## NUMÉRO DE SÉRIE

Le numéro de série à 11 caractères Minn Kota est très important. Cela permet de déterminer le modèle spécifique et l'année de fabrication. Lorsque vous contactez le Service à la clientèle ou que vous enregistrez votre article, vous aurez besoin du numéro de série de votre article. Nous vous suggérons de noter le numéro de série afin qu'il soit disponible à des fins de référence future.



**AVIS :** Le numéro de série de votre CoPilot se trouve sur une étiquette à l'intérieur de l'emballage du produit. Nous vous recommandons de placer l'étiquette à l'intérieur de la plaque latérale ou de ranger votre numéro de série dans un emplacement sécuritaire.

Modèle : \_\_\_\_\_

Numéro de série : \_\_\_\_\_

Date de l'achat : \_\_\_\_\_

Magasin où l'achat a été effectué : \_\_\_\_\_

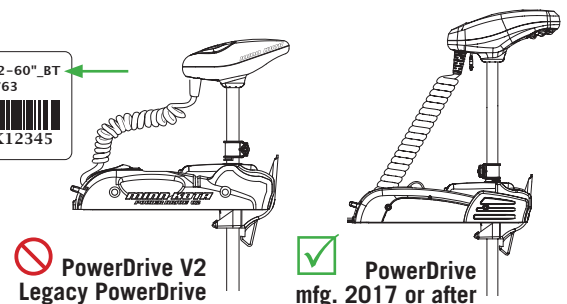
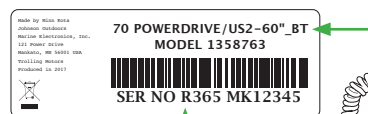
**AVIS :** Ne retournez pas votre moteur Minn Kota au détaillant. Le détaillant n'est pas autorisé à réparer ou à remplacer cet appareil. Pour le service : communiquer avec Minn Kota au (800) 227-6433; retourner le moteur au Centre de service de l'usine de Minn Kota; envoyer ou apporter le moteur à un centre de service agréé de Minn Kota. Une liste de centres de service agréés est disponible sur notre site Web, à [minnkotamotors.com](http://minnkotamotors.com). Pour obtenir un service au titre de la garantie, y compris toutes les options susmentionnées, veuillez inclure la preuve d'achat, le numéro de série et la date de l'achat.

Veuillez lire attentivement ce manuel de l'utilisateur. Suivez toutes les instructions, et respectez toutes les consignes de sécurité et mises en garde. L'utilisation de cet article n'est autorisée que pour les personnes qui ont lu et compris ces instructions. Les personnes mineures ne peuvent utiliser cet accessoire que sous la supervision d'un adulte.

## COMPATIBLE AVEC LES MOTEURS POWERDRIVE FABRIQUÉS EN 2017 OU APRÈS.

Cette télécommande n'est pas compatible avec les moteurs PowerDrive V2 ou Legacy PowerDrive. Pour assurer la compatibilité, vérifiez que le nom du modèle sur votre étiquette de numéro de série inclut "BT". Les noms de modèle qui ne finissent pas par "BT" ne sont pas compatibles avec cette télécommande.

Les moteurs fabriqués en 2017 ont un numéro de série commençant par la lettre R. Les moteurs avec un numéro de série commençant par une lettre arrivant avant R dans l'ordre alphabétique ont été fabriqués avant 2017 et ne sont donc pas compatibles.





# TABLE DES MATIÈRES

<b>GARANTIE</b> .....	24
<b>CARACTÉRISTIQUES</b> .....	25
<b>INSTALLATION</b> .....	26
Installation du Récepteur CoPilot.....	27
<b>COPILOT</b> .....	31
Commande du Moteur avec CoPilot.....	31
Utilisation Générale de CoPilot .....	31
Modes Audio.....	32
Ajout/Retrait de Télécommandes.....	33
Pour Coupler des Télécommandes.....	33
Pour Effacer Toutes les Télécommandes du Récepteur.....	33
Remplacement de la Pile .....	34
<b>DÉCLARATIONS DE CONFORMITÉ</b> .....	36
Déclaration de Conformité Environnementale .....	36
Directive DEEE.....	36
Mise au Rebut.....	36
Informations de Conformité Réglementaire .....	36
Conformité aux Normes FCC.....	37
Conformité aux Normes d'Industrie Canada .....	37
Cotes Environnementales .....	37
Fonctionnement Radio .....	37
<b>SERVICE ET ENTRETIEN</b> .....	38
Dépannage.....	38
Pour d'autres Services de Dépannage et de Réparation .....	38
<b>SCHÉMA DES PIÈCES ET LISTE DES PIÈCES</b> .....	39

# GARANTIE

## GARANTIE DES PROPULSEURS ÉLECTRIQUES POUR EAU DOUCE

Johnson Outdoors Marine Electronics, Inc. (« JOME ») offre la garantie limitée suivante uniquement à l'acheteur au détail initial. La garantie n'est pas transférable.

### Garantie limitée de un an de Minn Kota sur l'ensemble du produit

JOME garantit uniquement à l'acheteur au détail initial que son nouvel accessoire CoPilot de Minn Kota sera exempt de défectuosité matérielle résultant d'un vice de fabrication ou de main-d'œuvre pouvant survenir un (1) an après la date d'achat. JOME se réserve le droit de réparer ou de remplacer, au choix et gratuitement, toute pièce pouvant s'avérer défectueuse pendant la durée de la présente garantie. Cette réparation ou ce remplacement est l'unique et exclusive responsabilité de JOME et constitue le seul recours de l'acheteur pour tout manquement à la présente garantie.

### Exclusions et Limites

La présente garantie limitée ne s'applique pas aux produits qui ont été utilisés à des fins commerciales ou locatives. Cette garantie limitée ne couvre pas l'usure normale, les imperfections qui n'affectent pas le fonctionnement du produit, ni les dommages causés par les accidents, l'abus, l'altération, la modification, les dommages durant le transport, la négligence de l'utilisateur, l'utilisation abusive, ou un soin ou un entretien inadéquats. **LES DOMMAGES CAUSÉS PAR L'UTILISATION DE PIÈCES DE REMPLACEMENT NON CONFORMES AUX SPÉCIFICATIONS DE CONCEPTION DES PIÈCES ORIGINALES NE SONT PAS COUVERTS PAR LA PRÉSENTE GARANTIE LIMITÉE.** Le coût de l'entretien normal ou des pièces de rechange qui ne contreviennent pas à la garantie limitée incombe à l'acheteur. Avant utilisation, l'acheteur doit déterminer si le produit convient à l'emploi prévu et assume tous les risques et responsabilités connexes. Toute assistance fournie par JOME à l'acheteur ou au nom de ce dernier hors du cadre des modalités, des restrictions et des exclusions de la présente garantie limitée ne constitue pas une renonciation à l'égard de telles modalités, restrictions ou exclusions, et une telle assistance n'aura pas pour effet de prolonger ni de restaurer la garantie. JOME ne remboursera aucune dépense encourue par l'acheteur dans le cadre de la réparation, de la correction ou du remplacement de pièces ou de produits défectueux, à l'exception des dépenses engagées sur consentement écrit préalable de JOME. **LA RESPONSABILITÉ GLOBALE DE JOME À L'ÉGARD DES PRODUITS COUVERTS PAR LA GARANTIE EST LIMITÉE À UN MONTANT ÉQUIVALENT AU PRIX D'ACHAT PAYÉ POUR LE PRODUIT EN QUESTION.**

### Information Sur Le Service Minn Kota

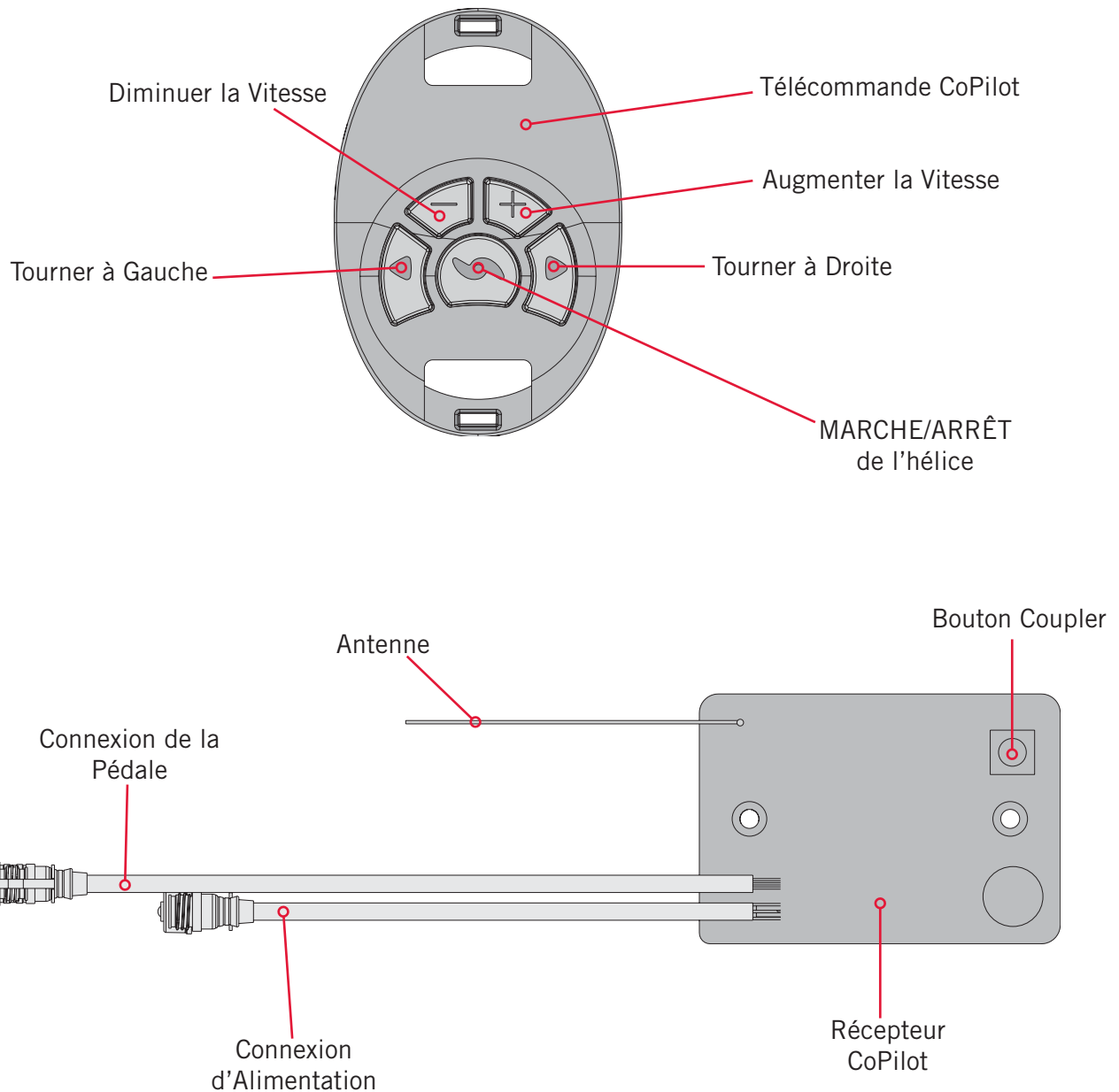
Pour obtenir le service au titre de la garantie aux États-Unis, le produit jugé défectueux et la preuve d'achat originale (comportant la date d'achat), doivent être présentés à un centre de service agréé Minn Kota ou au centre de service de l'usine de Minn Kota à Mankato, au Minnesota. Tous les frais encourus pour des appels de service, de transport ou d'expédition à destination ou à partir du centre de service agréé ou de l'usine Minn Kota, de main-d'œuvre pour transporter, retirer, réinstaller ou regréer les articles retirés pour le service de garantie, ou tout autre élément similaire, sont sous la seule et unique responsabilité unique et exclusive de l'acheteur. Les articles achetés à l'extérieur des États-Unis doivent être retournés, port payé avec la preuve d'achat (y compris la date d'achat et le numéro de série), à tout centre de service agréé Minn Kota dans le pays de l'achat. Le service au titre de la garantie peut être obtenu en communiquant avec le centre de service agréé de Minn Kota ou l'usine au +1 (800) 227-6433 ou par courriel à l'adresse suivante [service@minnkotamotors.com](mailto:service@minnkotamotors.com). **Les produits réparés ou remplacés seront garantis pour la durée restante de la période de garantie initiale [ou pendant 90 jours à compter de la date de réparation ou de remplacement, la période la plus longue étant retenue]. Tout produit retourné aux fins de services en vertu de la garantie qui, selon JOME, n'est pas couvert par la garantie limitée ou n'y contrevient pas sera facturé pour les services rendus au taux horaire de main-d'œuvre affiché en vigueur, pour une facturation minimale d'une heure.**

**AVIS :** Ne pas retourner l'article Minn Kota au détaillant. Le détaillant n'est pas autorisé à le réparer ou à le remplacer.

**AVIS :** II N'Y A AUCUNE GARANTIE EXPRESSE AUTRE QUE LES PRÉSENTES GARANTIES LIMITÉES. AUCUNE GARANTIE IMPLICITE, Y COMPRIS QUELQUE GARANTIE IMPLICITE DE QUALITÉ MARCHANDE OU D'ADÉQUATION À UN USAGE PARTICULIER, NE SE PROLONGERA AU-DELÀ DE LA DURÉE DE LA PRÉSENTE GARANTIE LIMITÉE EXPRESSE. JOME NE POURRA EN AUCUNE FAÇON ÊTRE TENUE RESPONSABLE DES DOMMAGES PUNITIFS, INDIRECTS, ACCESSOIRES, CONSÉCUTIFS OU PARTICULIERS. Sans limiter la portée de ce qui précède, JOME décline toute responsabilité en cas de perte d'utilisation du produit, perte de temps, d'inconvénient et d'autre dommage.

Certains états ne permettent pas de limites sur la durée d'une garantie implicite ou l'exclusion ou limitation des dommages accessoires ou indirects, donc, les limitations ou exclusions ci-dessus peuvent ne pas s'appliquer à vous. La présente garantie vous donne des droits légaux spécifiques et vous pouvez également bénéficier d'autres droits qui varient d'un État à l'autre.

# CARACTÉRISTIQUES



**AVIS :** Les spécifications peuvent faire l'objet de modifications sans préavis. Le schéma est fourni aux fins de référence seulement et peut différer de votre moteur actuel.

# INSTALLATION

## INSTALLATION DE COPILOT

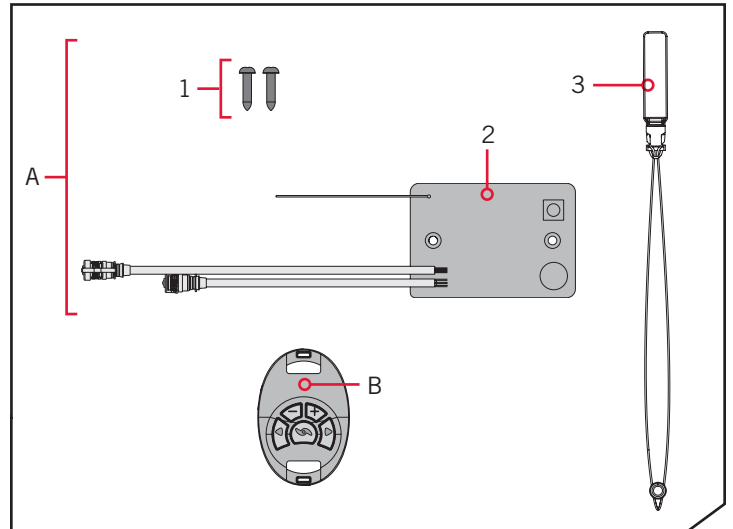
Votre nouvel accessoire CoPilot est livré avec tout le nécessaire pour l'installer directement sur votre propulseur électrique. Ces instructions visent à montrer comment installer votre CoPilot dans le PowerDrive. Avant de commencer, veuillez examiner la liste des pièces et des outils nécessaires à l'installation. Pour obtenir davantage de soutien pour les produits, veuillez visiter [minnkotamotors.com](http://minnkotamotors.com).

### LISTE DE PIÈCES D'INSTALLATION >

Article/ Assemblage	N° de Pièce	Description	Qté.
A	2994112	CTRL BOARD V2 COPILOT RECEIVER	1
B	2994020	TRANSMTR, ASY, PD/AP COPLT (SUB)	1
1	2373418	SCREW-#8 X 5/8 PPHSMS S/S	2
2	2374092	CTRL BOARD V2 COPILOT RECEIVER	1
3	2390801	LANYARD, REMOTE	1
▲	2377166	MANUAL - CO-PILOT POWERDRIVE	1

✘ Cette pièce est incluse dans un ensemble et ne peut pas être commandée individuellement.

▲ N'est pas montrée sur le schéma des pièces.



### FACTEURS DE MONTAGE >

## ⚠ AVERTISSEMENT

Nous vous recommandons d'installer votre CoPilot pendant que le bateau se trouve sur votre remorque, en position stable. Le moteur doit être bien fixé et déconnecté de la source d'alimentation avant de commencer l'installation.

### OUTILS ET RESSOURCES NÉCESSAIRES >

- Tournevis Phillips n° 2
- Tournevis Phillips n° 3

## INSTALLATION >

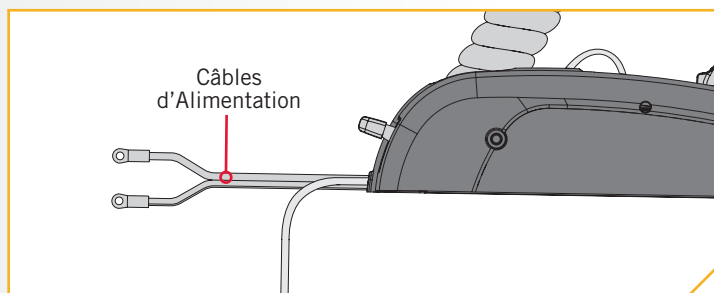
### > Installation du récepteur CoPilot

1

- Assurez-vous que les câbles d'alimentation de la pile sont déconnectés, ou que le disjoncteur, le cas échéant, ouvre le circuit.

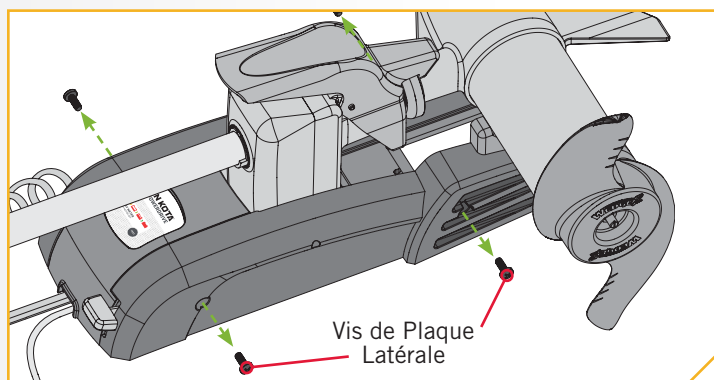
## AVERTISSEMENT

Assurez-vous que le moteur est installé sur une surface plane et n'est pas branché à une source d'alimentation.



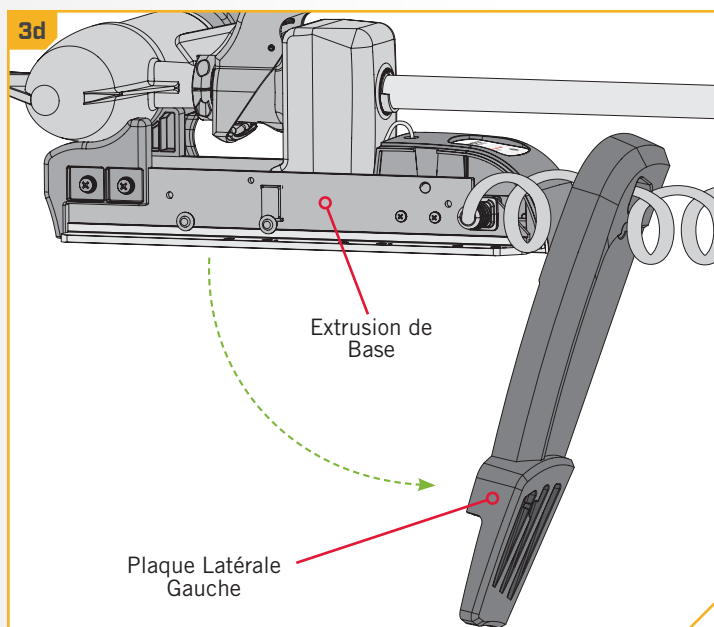
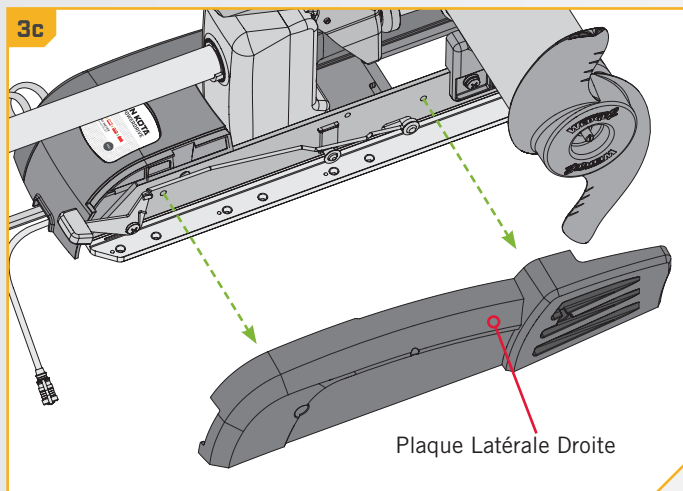
2

- En utilisant un tournevis Phillips n° 2, retirez les quatre vis 1/4-20 x 5/8 po (1,59 cm) de la plaque latérale droite et de la plaque latérale gauche du support du PowerDrive.



3

- Enlevez la plaque latérale droite.
- Faites pivoter la plaque latérale gauche en l'éloignant de l'extrusion de base.

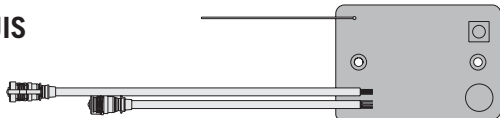


# INSTALLATION DU RÉCEPTEUR COPILOT

## 4

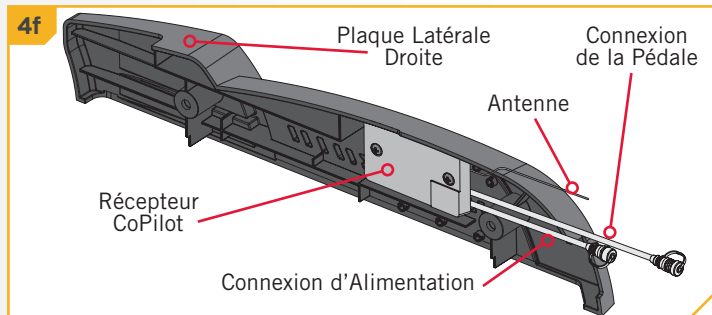
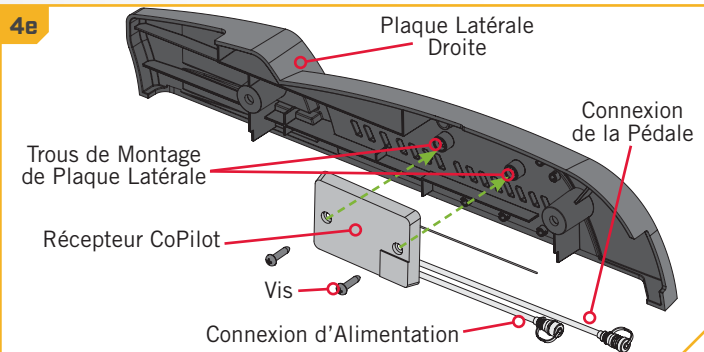
### ARTICLE(S) REQUIS

#1 x 2



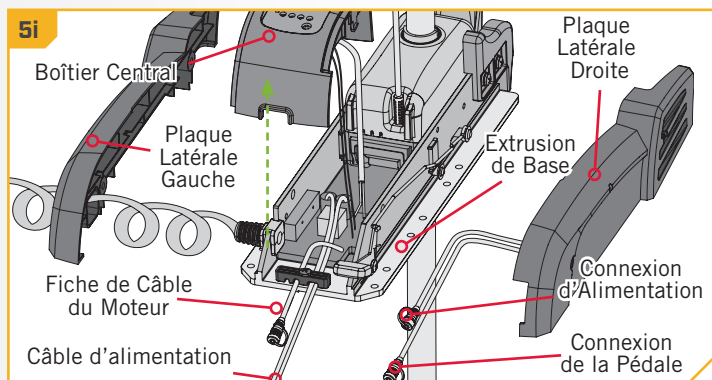
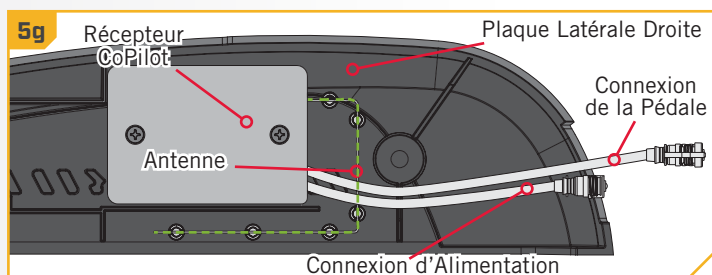
#2 x 1

- e. Retournez la plaque latérale droite et positionnez le récepteur CoPilot (Article n° 2) à l'intérieur de la plaque latérale droite de manière à ce que les trous de montage du récepteur soient alignés avec les trous de montage de la plaque latérale. Placez les câbles afin qu'ils puissent passer à droite du récepteur CoPilot. Ceux-ci devraient comprendre une connexion de la pédale, une connexion d'alimentation et un fil d'antenne.
- f. En utilisant les deux vis n° 8 x 5/8 po (1,59 cm) (Article n° 1) fournies, insérez les vis au travers du récepteur et dans la plaque latérale droite. Veillez à ne pas pincer les fils dans les trous de montage de plaque latérale lorsque vous serrez les deux vis. Ne serrez pas trop.



## 5

- g. Avec la plaque latérale droite posée à plat et le récepteur CoPilot (tout juste installé) face vers le haut, faites passer le fil d'antenne jaune autour des chevilles qui dépassent de la plaque latérale droite le long du bord droit et du bord inférieur du récepteur CoPilot. Suivez les rainures dans chacune des chevilles.
- h. Déployez le moteur.
- i. Sur le support, soulevez le boîtier central pour accéder aux composants au-dessous. Le boîtier central peut être libéré en appuyant sur les languettes de chaque côté qui le maintiennent fixé à l'extrusion de base.

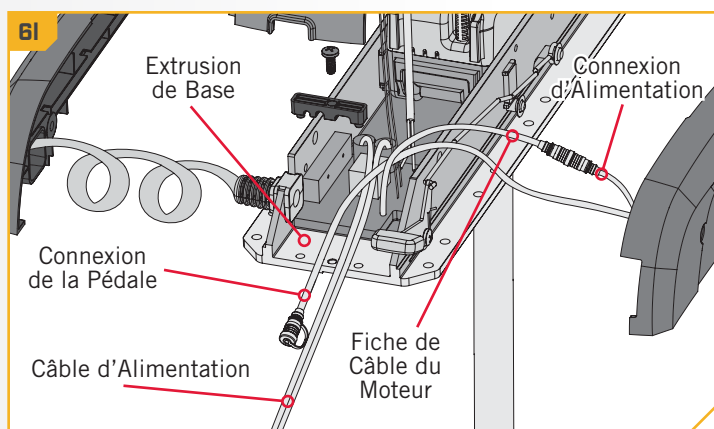
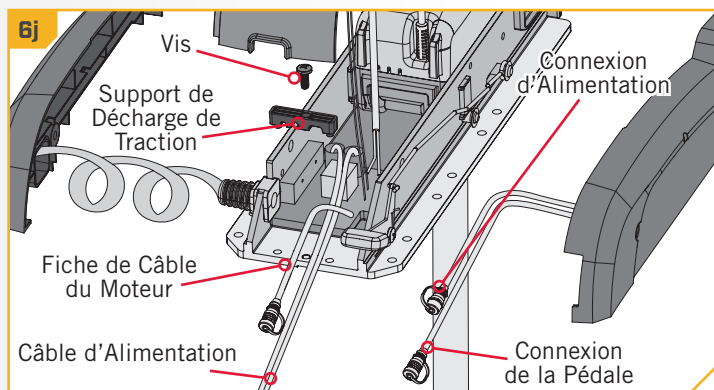




## INSTALLATION DU RÉCEPTEUR COPILOT

6

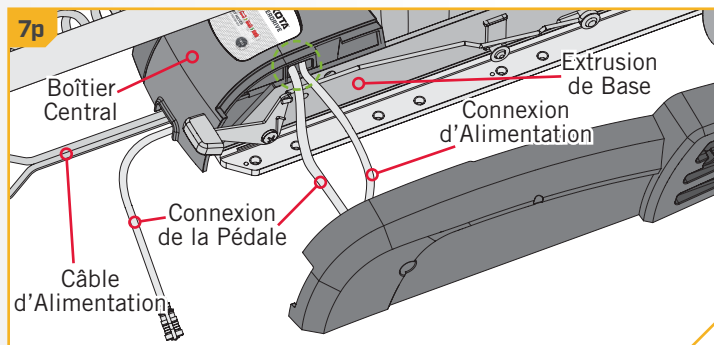
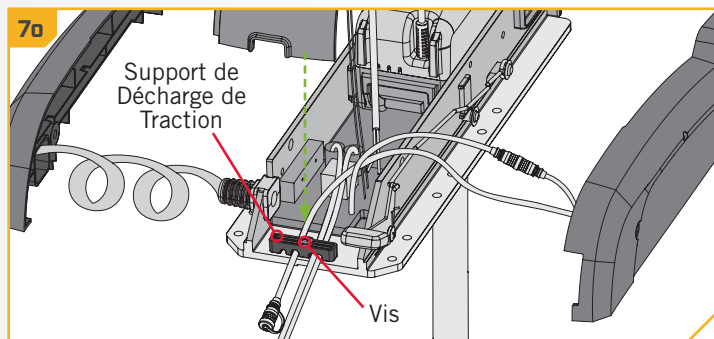
- j. Une fois levé, à l'aide d'un tournevis n° 3, retirez la vis unique maintenant le support de décharge de traction en place.
- k. Libérez le câble d'alimentation et la fiche de câble du moteur du support de décharge de traction.
- l. Branchez la fiche de câble du moteur (précédemment connectée à la pédale) à la connexion d'alimentation du récepteur CoPilot possédant les prises femelles.
- m. La connexion de la pédale du récepteur CoPilot peut être connectée à la pédale une fois l'installation terminée.
- n. Placez le câble d'alimentation et la connexion de la pédale du récepteur CoPilot sur l'extrusion de base afin de pouvoir le saisir dans le support de décharge de traction.



7

- o. À l'aide d'un tournevis n° 3, remplacez la vis qui maintenait le support de décharge de traction en place.
- p. Assurez-vous que les fils sont acheminés de manière à ce qu'ils ne puissent pas être pincés et réinstallez le boîtier central.

**AVIS :** Les fils doivent passer sous le boîtier central, par-dessus l'extrusion de base, dans l'encoche qui crée un écart entre la base et le boîtier. La connexion entre la fiche de câble du moteur et la connexion d'alimentation doit être sous le boîtier central lorsqu'il est en place.

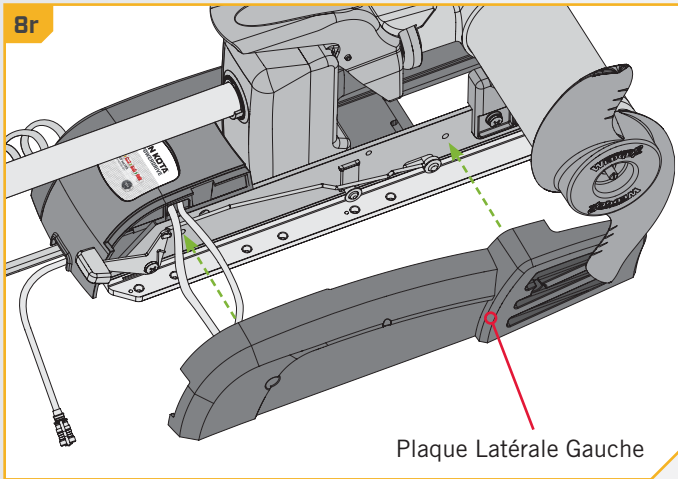


# INSTALLATION DU RÉCEPTEUR COPILOT

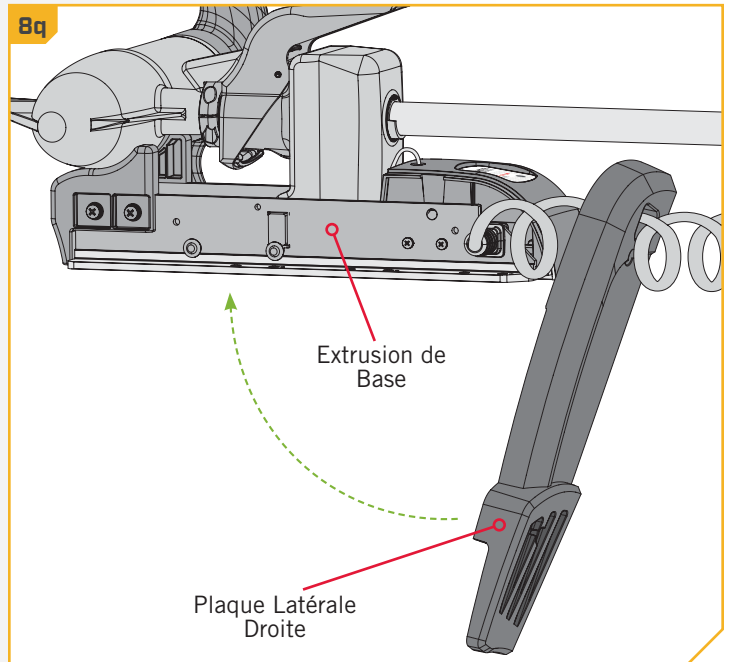
**8**

- q. Une fois que les fils et le boîtier central sont en place, arrimez le moteur pour replacer la plaque latérale gauche.
- r. Remplacez la plaque latérale droite.

**8r**

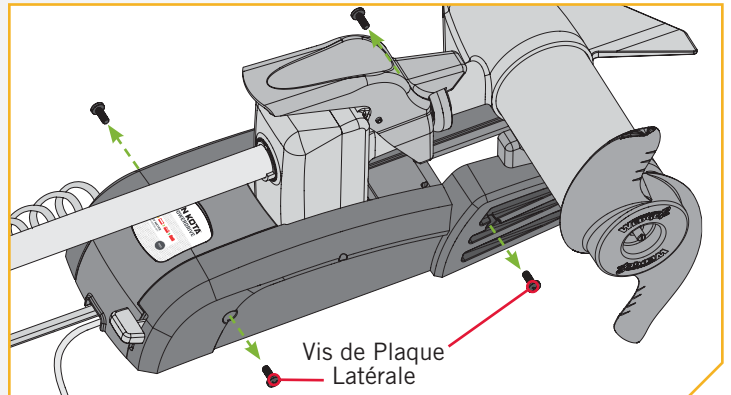


**8q**



**9**

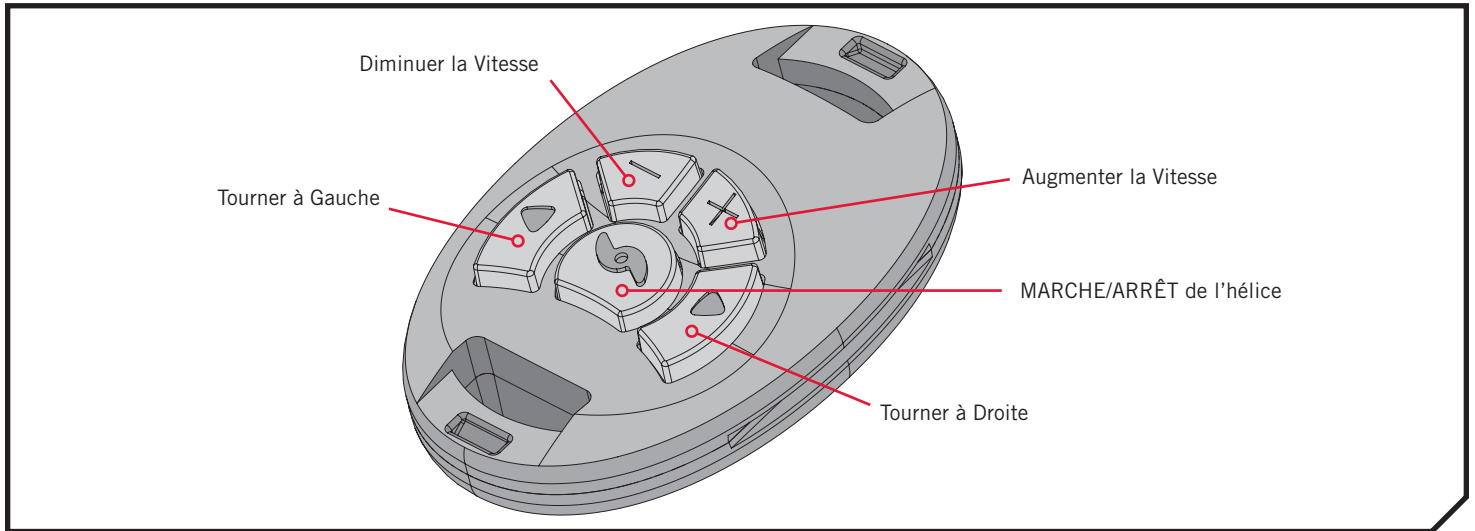
- s. En utilisant un tournevis Phillips n° 2, remplacez les quatre vis 1/4-20 x 5/8 po (1,59 cm) de la plaque latérale droite et de la plaque latérale gauche du support du PowerDrive.



# COPILOT

## COMMANDE DU MOTEUR AVEC COPILOT

Consultez la section CoPilot complète de ce manuel pour vous familiariser avec cette fonction. Pour obtenir davantage d'informations sur CoPilot ou du soutien technique supplémentaire, veuillez visiter [minnkotamotors.com](http://minnkotamotors.com).



### › MARCHE/ARRÊT de l'hélice

Ce bouton est situé au milieu de la télécommande. Il met l'hélice en marche et l'arrête. Appuyez sur le bouton une fois pour mettre l'hélice en MARCHE; appuyez une seconde fois pour l'ARRÊTER. Il n'est pas nécessaire de garder le bouton enfoncé.

### › Tourner à Gauche et Tourner à Droite

Ces boutons sont situés à droite et à gauche du bouton MARCHE/ARRÊT de l'hélice et portent un symbole de flèche. Ils font tourner le moteur dans le sens souhaité, tant que le bouton est maintenu enfoncé. Si le bouton Tourner à droite ou Tourner à gauche est maintenu enfoncé pendant plus de sept secondes, la direction s'arrêtera automatiquement jusqu'à ce que le bouton soit enfoncé à nouveau.

### › Augmenter la Vitesse et Diminuer la Vitesse

Les boutons Augmenter la vitesse et Diminuer la vitesse sont situés sur le dessus de la télécommande et sont identifiés par des symboles positif et négatif. Appuyer sur ces boutons et les relâcher ajuste la vitesse par incréments de 1. La vitesse est réglable de 0 à 10. Au réglage 0, l'hélice ne tourne pas.

En mode audio 2, lors du changement de vitesse, un bip se fait entendre pour chaque incrémentation. Si vous tentez d'aller au-delà de la vitesse 10 ou au-dessous de la vitesse 0, la vitesse ne changera pas et aucun bip ne sera émis. Voir la section Mode audio pour plus d'informations.

Si le récepteur ne détecte aucune commande de pédale ou de télécommande pendant 1 heure, le réglage de vitesse de télécommande est automatiquement réglé à zéro. Cela permet d'éviter l'activation involontaire de l'hélice si le bouton Marche/arrêt de l'hélice de la télécommande est enfoncé par inadvertance.

## UTILISATION GÉNÉRALE DE COPILOT

### › Utilisation Avec la Télécommande et la Pédale

- Lorsque le commutateur momentané/constant sur la pédale est en position con ou lorsque le bouton momentané est gardé enfoncé, le récepteur ne répondra pas aux commandes de la télécommande. Lors de la réception des commandes de la télécommande, le récepteur émet un gazouillement. Ce signal sonore indique que la télécommande fonctionne correctement, mais que la pédale est en marche et a priorité sur la télécommande.
- Lorsque le commutateur Momentané/constant est en position MOM, l'opérateur peut commencer à utiliser la télécommande à tout moment.



- Dès que vous appuyez sur un bouton de la télécommande, le réglage de la vitesse initiale est fixé à environ la même valeur que celle de la commande de vitesse sur la pédale. L'hélice ne se met pas automatiquement en marche jusqu'à ce que vous appuyiez sur le bouton MARCHE/ARRÊT de l'hélice de la télécommande.
- Une commande émise en appuyant sur le bouton momentané de la pédale ou en ajustant la molette de commande de vitesse aura priorité sur une commande de la télécommande et du récepteur. La commande du moteur passe automatiquement à la pédale. La vitesse de l'hélice reviendra également à la valeur actuelle de la molette de commande de vitesse sur la pédale.

## Utilisation sans la Pédale

- Si la pédale n'est pas utilisée, le récepteur CoPilot réagira toujours à toutes les commandes de la télécommande CoPilot.

## MODES AUDIO

Il existe trois modes audio pour le récepteur. L'unité est réglée en usine au mode audio 2. Pour passer d'un mode audio à un autre, gardez enfoncés simultanément les boutons d'augmentation et de diminution de vitesse pendant une seconde. Le récepteur répondra par 1, 2 ou 3 bips indiquant le changement de mode audio correspondant du récepteur.

Mode Audio	Fonction
Mode 1	Tous les sons normaux mentionnés dans ce manuel du propriétaire, mais pas de bips pour l'augmentation ou la diminution de la vitesse, ni pour la mise en marche/arrêt de l'hélice.
Mode 2	Identique au mode audio 1 avec un bip pour l'augmentation ou la diminution de la vitesse et pour la mise en marche/arrêt de l'hélice.
Mode 3	Identique au mode audio 2, avec un clic sonore à chaque 1,5 seconde lorsque l'hélice est en marche.

**AVIS :** Quand la pédale commande le moteur, que l'hélice est en marche et que le récepteur est réglé au mode audio 3, on entendra un déclic indiquant que l'hélice est en marche.

Séquence Sonore	Quelles Conditions Caused Quelle Séquence Sonore	Mode Audio
1 Bip	Appuyer sur le bouton Augmenter la vitesse ou Diminuer la vitesse	Modes 2 et 3
1 Bip	Appuyer sur le bouton MARCHE/ARRÊT de l'hélice pour mettre l'hélice en marche	Modes 2 et 3
2 Bips	Appuyer sur le bouton MARCHE/ARRÊT de l'hélice pour arrêter l'hélice	Modes 2 et 3
Un seul déclic à chaque 1,5 seconde	Lorsque l'hélice est en marche, y compris lorsque la molette de commande de vitesse est réglée à 0	Mode 3
1 Bip	Passage au mode audio 1	Tous
2 Bips	Passage au mode audio 2	Tous
3 Bips	Passage au mode audio 3	Tous
1 Pépiement	Chaque fois que le récepteur est mis sous tension et qu'il a été couplé à au moins une télécommande	Tous
1 Bip de 2 Secondes	Chaque fois que le récepteur est allumé et qu'il n'y a pas de télécommande couplée	Tous
5 Bips	La molette de commande de vitesse sur la pédale est déplacée après que la vitesse a été ajustée avec la télécommande	Tous
Tonalité Continue	Entendu lorsqu'on maintient enfoncé le bouton Coupler sur le récepteur	Tous
4 Bips	Entendu après que vous appuyez sur une touche de la télécommande tandis que le récepteur s'y couple	Tous
Gazouillement de 10 secondes qui passe à une tonalité continue	Entendu au cours du processus utilisé pour effacer toutes les télécommandes stockées après avoir relâché le commutateur Coupler, un bip de 2 secondes est émis	Tous
1 bip long, 2 bips courts, pause (répétition)	Mis sous tension avec le commutateur Momentané/constant en position CON (ou le bouton Momentané gardé enfoncé) lorsque la pédale est déplacée vers Momentané, on entendra le signal sonore de mise sous tension	Tous

## AJOUT/RETRAIT DE TÉLÉCOMMANDES

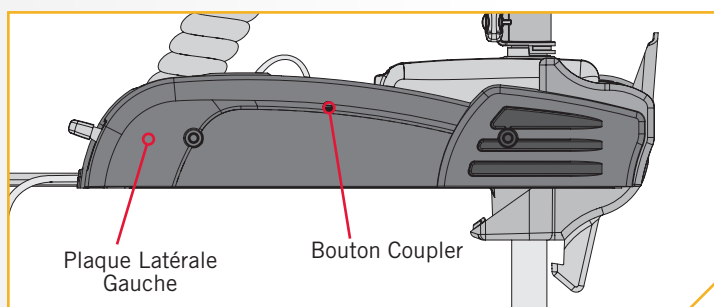
La télécommande copilote est livrée déjà couplée avec le récepteur copilote. Toute télécommande supplémentaire doit être couplée au récepteur. Le récepteur stocke toutes les informations de couplage, même lorsque le moteur est déconnecté d'une source d'alimentation.

### ► Pour Coupler des Télécommandes

Votre récepteur peut être couplé avec un maximum de dix télécommandes. Les télécommandes supplémentaires peuvent être couplées en suivant les étapes suivantes. Ces étapes fonctionnent également pour coupler une télécommande si toutes les télécommandes sont effacées du récepteur.

1

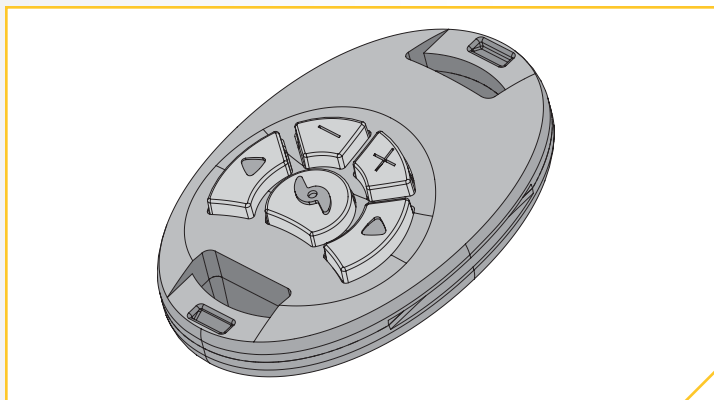
- a. À l'aide d'un petit objet pointu tel qu'un stylo ou un tournevis, gardez enfoncé le bouton coupler situé sur le côté du récepteur.
- b. Le récepteur émettra une tonalité continue.



2

- c. Appuyez sur n'importe quel bouton de la télécommande.
- d. Le récepteur émettra 4 bips confirmant qu'il a bien été couplé à la télécommande.

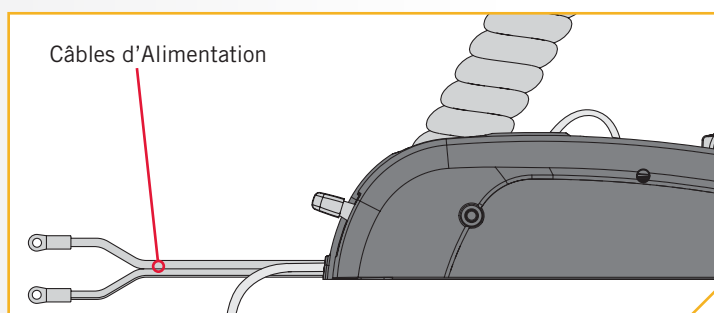
**AVIS :** Coupler la même télécommande n'effacera pas les télécommandes précédemment couplées. Si le récepteur a été couplé à dix télécommandes, y coupler une onzième remplacera la première télécommande.



### ► Pour Effacer Toutes les Télécommandes du Récepteur

1

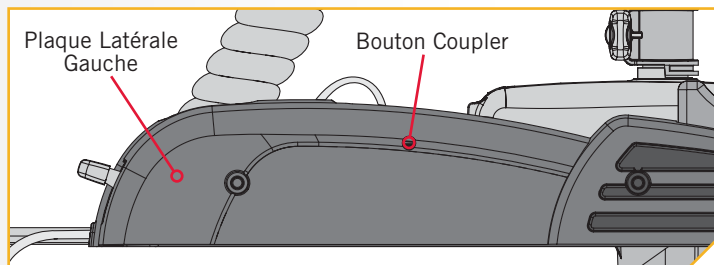
- a. Déconnectez l'alimentation du récepteur CoPilot en débranchant les câbles d'alimentation, ou en vous assurant que le disjoncteur, le cas échéant, ouvre le circuit.



# COPILOT

2

- b. Maintenez enfoncé le bouton Coupler et allumez le récepteur CoPilot en reconnectant les câbles d'alimentation, ou en vous assurant que le disjoncteur, le cas échéant, ferme le circuit.
- c. Continuez à appuyer sur le bouton Coupler pendant 10 secondes. Pendant ce temps, le récepteur audio émet un gazouillement, qui passe lentement à un bip continu, puis s'éteint.
- d. Relâchez le bouton Coupler et le récepteur redémarrera. Le récepteur émettra un bip de 2 secondes indiquant que la mémoire est vide. Cette séquence sonore se produira chaque fois que le récepteur est mis sous tension jusqu'à un numéro d'ID de télécommande soit couplé.



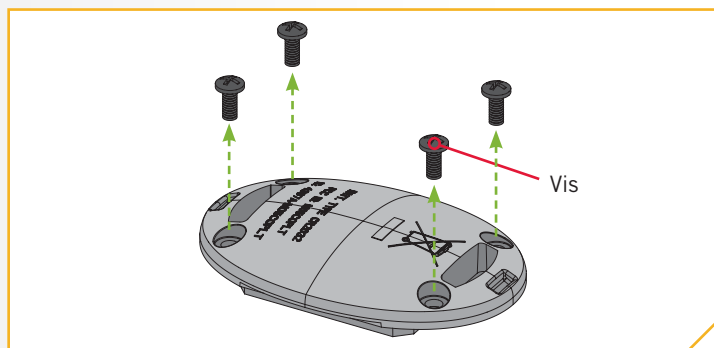
## REPLACEMENT DE LA PILE

1

- a. Raccordez-vous temporairement à la terre en touchant un objet métallique mis à la terre afin de décharger toute électricité statique de votre corps.
- b. Retirez les quatre vis sur le dessous du boîtier de la télécommande.

**AVIS :** La pile de remplacement doit être une pile de type bouton, modèle CR2032. Il est fortement recommandé d'utiliser une pile de marque.

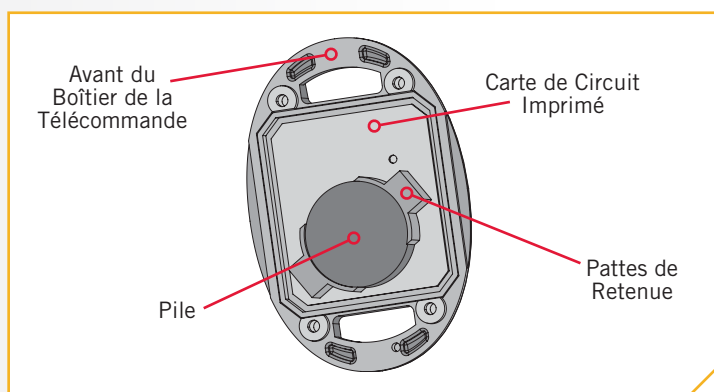
- c. Séparez les moitiés du boîtier pour accéder à la carte de circuit imprimé.



2

- d. Pour retirer la pile, placez le bout d'un doigt ou du pouce sous le bord exposé de la pile et tirez-la vers le haut.
- e. Installez la nouvelle pile avec le côté positif (+) de la pile face vers le haut, au loin de la carte de circuit imprimé. Assurez-vous que la pile est bien fixée en place.

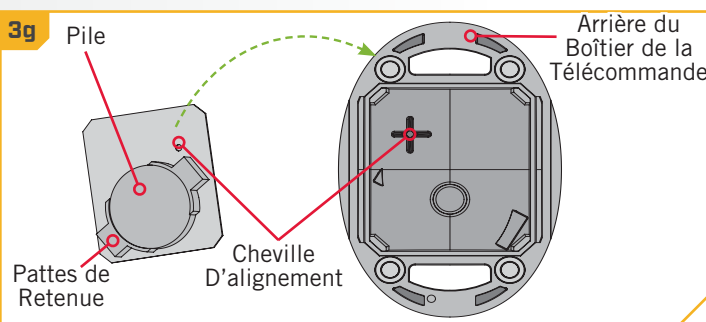
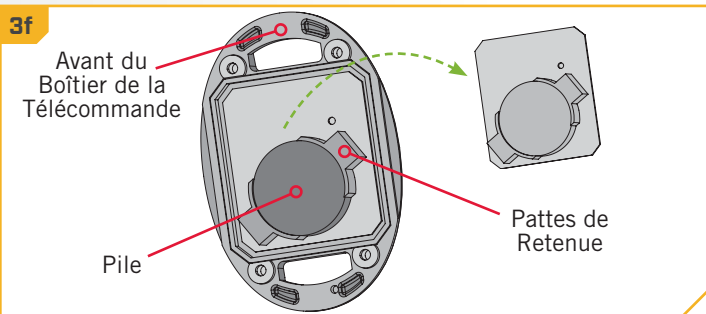
**AVIS :** La pile de remplacement doit être une pile de type bouton, modèle CR2032. Il est fortement recommandé d'utiliser une pile de marque.





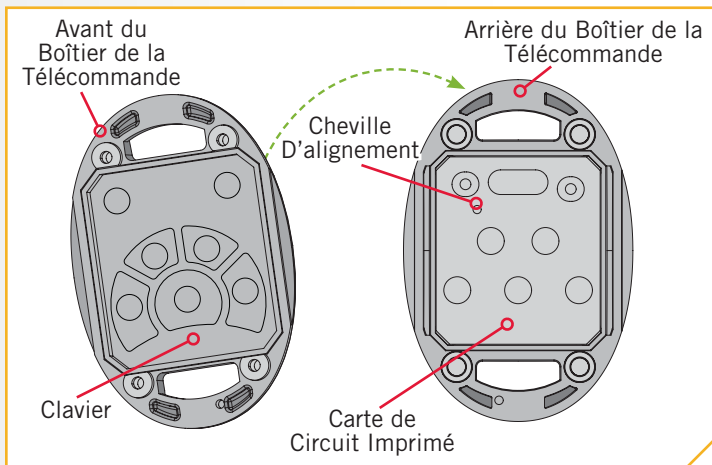
3

- f. Réassemblez la télécommande. Commencez par retirer la carte du devant du boîtier de la télécommande. Il s'agit de la même carte qui maintient la pile en place. Laissez le clavier en place sur le devant de la télécommande.
- g. Notez que la cheville d'alignement à l'arrière du boîtier de la télécommande doit être alignée avec le trou d'alignement correspondant dans la carte de circuit imprimé. Placez la carte avec la pile vers le bas sur l'arrière du boîtier de la télécommande.



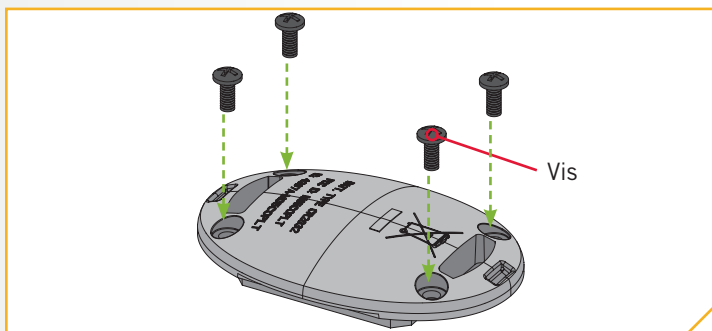
4

- h. Placez l'arrière du boîtier de la télécommande de façon à ce que la cheville d'alignement soit vers le haut lorsque la télécommande est posée sur une surface plane. Positionnez le devant du boîtier de la télécommande de façon à ce que le clavier et les boutons incurvés soient pointés vers le bas lorsque la télécommande est posée sur une surface plane.
- i. Gardez l'arrière du boîtier de la télécommande à plat. Placez le devant du boîtier de la télécommande, avec le clavier en place, sur l'arrière du boîtier de la télécommande. Assurez-vous que le boîtier est bien en place.



5

- j. Réinstallez les quatre vis du boîtier et serrez-les au besoin.



# DÉCLARATIONS DE CONFORMITÉ

## DÉCLARATION DE CONFORMITÉ ENVIRONNEMENTALE

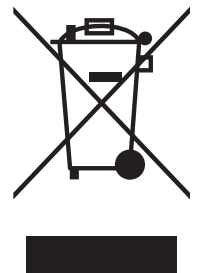
Il est dans l'intention de JOME d'être une entreprise citoyenne responsable, dont l'exploitation est conforme à la réglementation environnementale en vigueur et qui est connue pour être un bon voisin dans les collectivités où nous fabriquons ou vendons nos produits.

### DIRECTIVE DEEE

La directive européenne 2002/96/CE « Directive concernant les déchets d'équipements électriques et électroniques (DEEE) » a un impact sur la plupart des distributeurs, vendeurs et fabricants d'électronique pour le grand public au sein de l'Union européenne. La directive DEEE exige que le producteur d'électronique pour le grand public prenne une part de responsabilité, en ce qui concerne la gestion des déchets de leurs produits, afin d'atteindre une élimination écologique, et ce, tout au long du cycle de vie du produit.

Il se peut que, selon votre emplacement, vous ne soyez pas tenu (e) de vous conformer à la directive DEEE pour ce qui est des équipements électriques et électroniques (EEE), et il se peut qu'il en soit de même pour les EEE conçus et destinés à être utilisés comme installations fixes ou temporaires dans les véhicules de transport tels que les voitures, les avions et les bateaux. Dans certains États de l'Union européenne, ces véhicules sont réputés ne pas relever de la directive, et les EEE, pour ces applications peuvent être considérés comme exclus de l'exigence de la directive DEEE.

Ce symbole (DEEE poubelle sur roues) sur le produit indique que ce dernier ne doit pas être jeté avec les déchets domestiques. Il doit être éliminé et collecté pour le recyclage et la récupération des DEEE. Johnson Outdoors Inc. marquera tous les produits EEE en conformité avec la directive DEEE. C'est notre but de nous conformer à la collecte, au traitement, à la récupération et à l'élimination écologique judicieuse de ces produits, mais ces exigences varient au sein des différents États membres de l'Union européenne. Pour de l'information supplémentaire sur l'endroit où vous pouvez éliminer les équipements usagés pour leur recyclage et leur récupération et/ou selon les exigences particulières de l'État membre de l'Union européenne, veuillez communiquer avec le détaillant ou le distributeur duquel vous avez acheté le produit.



### ÉLIMINATION

Les moteurs Minn Kota ne sont pas soumis à la réglementation concernant l'élimination VGE-VO (directive pour les dispositifs électriques), qui transpose la directive DEEE. Néanmoins, ne jamais jeter le moteur Minn Kota dans une poubelle, mais plutôt à l'endroit approprié où s'effectue la collecte, recommandé par le conseil municipal local.

Ne jamais jeter aucune batterie à la poubelle. Se conformer aux directives d'élimination du fabricant ou de son représentant et la jeter à l'endroit approprié où s'effectue la collecte, recommandé par le conseil municipal local.

## INFORMATIONS DE CONFORMITÉ RÉGLEMENTAIRE

### MODÈLE: COPILOT

- IC: 4397A-M05COPLT
- FCC ID: M05COPLT



## CONFORMITÉ FCC

Cet appareil est conforme à la section 15 des règles de la FCC. **Son fonctionnement est soumis aux deux conditions suivantes :**

1. Ce dispositif ne doit pas causer d'interférences nuisibles.
2. Cet appareil doit accepter toute interférence qui peut être reçue, y compris les interférences susceptibles de perturber son fonctionnement.

Les changements ou modifications non expressément approuvés par Johnson Outdoors Marine Electronics, Inc. peuvent annuler le droit d'utilisation de cet équipement accordé à l'utilisateur.

**AVIS :** Cet équipement a été testé et s'est avéré conforme aux limites pour un appareil numérique de classe B, conformément à la section 15 des règles de la FCC. Ces limites sont conçues pour fournir une protection raisonnable contre les interférences nuisibles dans une installation résidentielle. Cet équipement génère, utilise et peut émettre des fréquences radio et, s'il n'est pas installé et utilisé conformément aux instructions, peut causer des interférences nuisibles pour les communications radio. Il n'existe cependant aucune garantie que des interférences ne se produiront pas dans une installation donnée. **Si cet équipement provoque des interférences nuisibles à la réception radio ou télévision, ce qui peut être déterminé en l'éteignant et en le rallumant, l'utilisateur est encouragé à essayer de corriger l'interférence par une ou plusieurs des mesures suivantes :**

- Réorienter ou déplacer l'antenne de réception.
- Augmenter la distance entre l'équipement et le récepteur.
- Connecter l'équipement à une sortie sur un circuit différent de celui sur lequel est branché le récepteur.
- Consulter le revendeur ou un technicien radio/TV expérimenté.

## CONFORMITÉ AUX NORMES D'INDUSTRIE CANADA

Ce produit est conforme aux spécifications techniques applicables d'Industrie Canada. Son fonctionnement est soumis aux deux conditions suivantes: (1) cet appareil ne peut causer d'interférences et (2) il doit tolérer toute interférence, même celle pouvant causer un fonctionnement indésirable de l'appareil.

Les changements ou les modifications non expressément approuvés par Johnson Outdoors Marine Electronics, Inc. peuvent annuler l'autorisation de l'utilisateur de faire fonctionner cet équipement.

## COTES ENVIRONNEMENTALES

Température ambiante de fonctionnement : -10 à 50 °C

Humidité ambiante de fonctionnement : 5 à 95 %

Altitude maximale de fonctionnement : 10 000 pieds (3 048 mètres)

## FONCTIONNEMENT RADIO

- Bande de Fréquence: 433.92 MHz
- Puissance RF Maximale Transmise: +7 dBm


# SERVICE ET ENTRETIEN


## DÉPANNAGE


Cause	Effet	Solution
La télécommande ne transmet pas.	La pile est déchargée.	Remplacez la batterie.
	Le récepteur peut ne pas être couplé à la télécommande.	La télécommande doit être couplée. Consultez la section Ajout/retrait de télécommandes de ce manuel pour coupler la télécommande.
	Avec la pédale connectée, le commutateur MOM-CON est en position CON. Un signal sonore sera émis si un bouton est enfoncé lorsque la pédale est en position CON.	Le commutateur de pédale doit être réglé au mode Momentané (MOM). Le récepteur n'acceptera pas les commandes de la télécommande avec le commutateur réglé au mode Constant (CON).
	Si la télécommande a été démontée, le clavier et le boîtier du haut peuvent avoir été posés à l'envers.	Démontez la télécommande. Consultez la section Remplacement de la pile de ce manuel et réinstallez les moitiés du boîtier dans la bonne orientation.
Lorsque le récepteur est mis sous tension, il émet une séquence de bips (1 bip long, 2 bips courts, pause, répétition).	Le commutateur Momentané/constant de la pédale est en position CON.	Le commutateur de la pédale doit être placé en position MOM. Le signal sonore se poursuivra jusqu'à ce que le commutateur soit placé en position MOM.
L'hélice ne tourne pas, mais la séquence sonore Hélice en MARCHE continue à se faire entendre.	La vitesse de l'hélice est réglée à "0".	Augmentez la vitesse de l'hélice à plus que "0".
	La séquence sonore Hélice en MARCHE est émise uniquement en mode audio 3	Faites passer le mode audio à audio 1 ou 2. Consultez la section Modes audio de ce manuel.


## POUR D'AUTRES SERVICES DE DÉPANNAGE ET DE RÉPARATION

Nous offrons plusieurs options de dépannage et/ou de réparation pour le produit. Veuillez parcourir les options énumérées ci-dessous.

 **Acheter des Pièces en Ligne**  
Vous pouvez acheter des pièces en ligne directement à partir de notre site web à [minnkotamotors.com](http://minnkotamotors.com). Les commandes confirmées avant midi (heure du centre) seront expédiées le jour même, si les articles sont en stock. Les commandes placées après midi (heure du centre) seront expédiées le jour suivant, si les articles sont en stock.

 **Foire Aux Questions**  
Notre site Web met à votre disposition des FAQ visant à répondre à toutes vos questions au sujet des produits Minn Kota. Veuillez visiter le site Web [minnkotamotors.com](http://minnkotamotors.com) puis cliquer sur "Foire Aux Questions" pour trouver réponse à vos questions.

 **Appelez-Nous (Pour les états-unis et le Canada)**  
Nos représentants du service à la clientèle sont disponibles du lundi au vendredi, de 7 h à 16 h 30 (hnc), au 800-227-6433. Pour commander des pièces, veuillez avoir sous la main le numéro de série à 11 chiffres du produit, les numéros des pièces nécessaires et les renseignements relatifs à la carte de crédit. Vous économiserez ainsi du temps pour un service à la clientèle de qualité supérieure. Vous pouvez consulter la liste de votre manuel pour obtenir les numéros.

 **Envoyez-Nous un Courriel**  
Vous pouvez envoyer par courriel vos questions au sujet des produits minn kota à notre service à la clientèle. Pour transmettre votre question par courriel, visitez [minnkotamotors.com](http://minnkotamotors.com), puis cliquez sur "Soutien".

 **Centres de Service Agréés**  
Minn Kota compte plus de 800 centres de service agréés aux États-Unis et au Canada pour acheter des pièces ou faire réparer vos produits. Veuillez consulter la page Centres de service agréés sur notre site Web pour trouver un centre de service dans votre région.



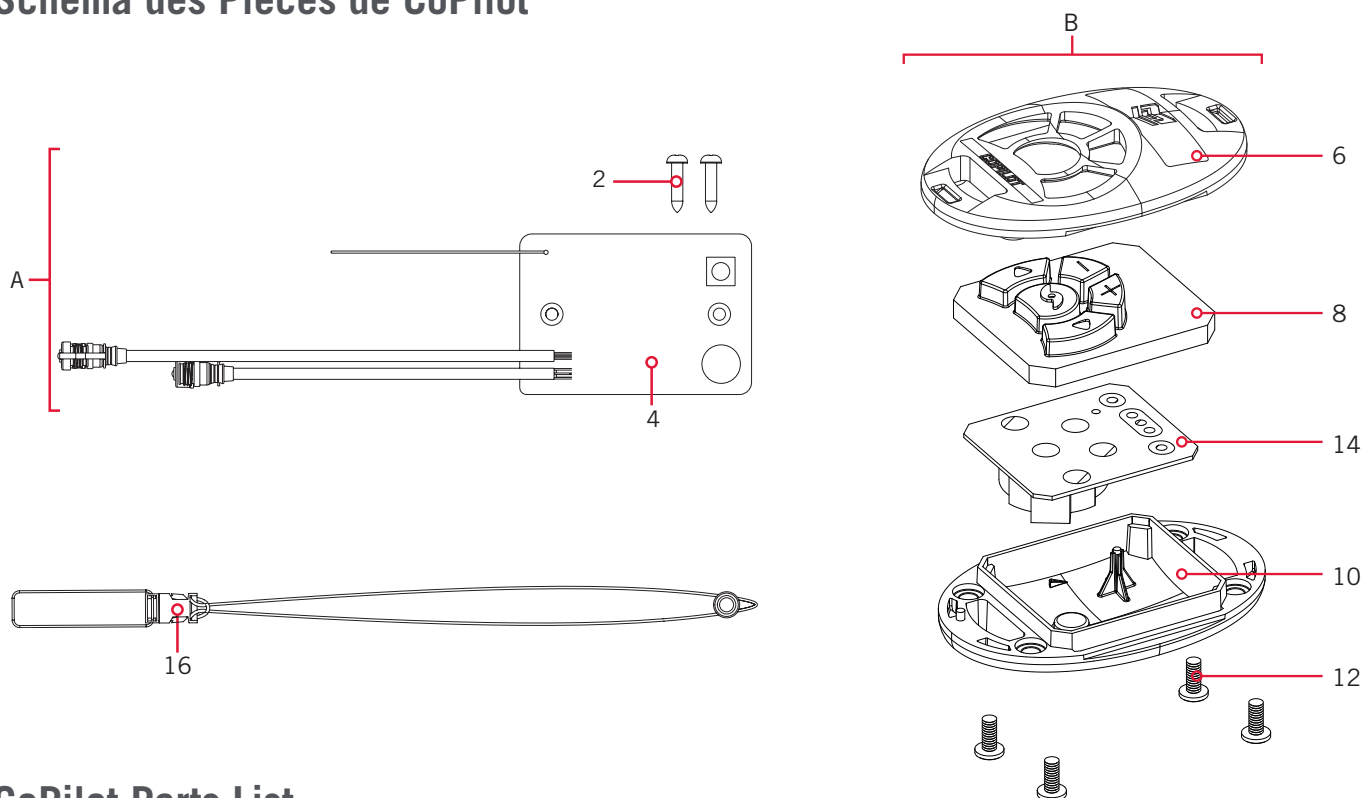
Balayez le code qr pour visiter le service en ligne Minn Kota.

# SCHÉMA DES PIÈCES ET LISTE DES PIÈCES

## ACCESSOIRE COPILOT

POWERDRIVE >

### > Schéma des Pièces de CoPilot



### > CoPilot Parts List

Assemblage	N° de Pièce	Description	Quantité
A	2994112	CTRL BOARD V2 COPILOT Receiver	1
B	2994020	TRANSMTR, ASY, PD/AP COPLT	1
Article	N° de Pièce	Description	Quantité
2	2373418	SCREW-#8 X 5/8 PPHSMS S/S	2
4	2374092	CTRL BOARD V2 COPILOT RECEIVER	1
6	2372503	CASE, COVER, TRANSMITTER ASY	1
8	2375110	KEYPAD, TRANSMITTER ASSY	1
10	2372505	CASE, BOTTOM, TRANSMITTER ASSY	1
12	2373440	SCREW-#4-24 X 1/4 PHCR SS TY B	4
14	✘	PCB ASY, CO-PILOT TRANSMITTER	1
16	2390801	LANYARD, REMOTE	1
▲	2005621	DECAL - CE/RCM/WEE CMLNCR.MARK	1
▲	2377166	MANUAL-CO-PILOT V3	1

✘ Cette pièce est incluse dans un ensemble et ne peut pas être commandée individuellement.

▲ N'est pas montrée sur le schéma des pièces.

# ACCESSOIRES RECOMMANDÉS

## CHARGEURS DE BATTERIE EMBARQUÉS ET PORTATIFS

Ne plus acheter de nouvelles batteries et commencer à prendre soin de celles déjà en votre possession. Plusieurs chargeurs peuvent en fait endommager les batteries à la longue, pouvant entraîner une autonomie réduite et une durée de vie plus courte. Les chargeurs Minn Kota à commande numérique assurent une charge rapide pour une protection et une durée de vie prolongée.



MK212PC



MK210D



MK110PD

## ANCRE POUR EAUX PEU PROFONDES TALON

Voici le tout nouveau Talon à nouvelle conception profilée. Talon est la seule ancre pour eaux peu profondes avec jusqu'à 15 pi (4,6 m) de profondeur d'ancrage, plusieurs modes d'ancrage et le contrôle à partir de la proue, du tableau arrière, de la console, de la télécommande ou d'un appareil mobile.



### ÉCLAIRAGE DE TRAVAIL INTÉGRÉ

Vous permet de fixer les lignes et de travailler à partir du tableau arrière à tout moment de la journée, ou de la nuit. Comprend des lumières DEL blanches et bleues avec trois intensités.



### JUSQU'À UNE PROFONDEUR DE 15 PI [4,6 M]

Contrôlez plus d'eau et attrapez plus de poissons avec la première ancre de 15 pi (4,6 m) pour eau peu profonde.



### CONNECTIVITÉ BLUETOOTH®

Vous permet de contrôler votre Talon à partir de votre appareil mobile, ainsi que le mettre à jour facilement. Elle ouvre aussi la communication à d'autres options de contrôle.



### D'AUTRES OPTIONS DE COMMANDE

- Panneau de commande
- Télécommande sans fil
- Application mobile
- Pédale sans fil
- Connectivité Humminbird<sup>MD</sup>
- Télécommande i-Pilot<sup>®</sup> et i-Pilot Link



## ACCESSOIRES MINN KOTA

Nous offrons un large éventail d'accessoires pour les propulseurs électriques, y compris:

- Un Disjoncteur de 60 A
- Des Supports de Montage
- Des Ensembles Stabilisateur
- Des Rallonges de Poignée
- Des connecteurs de batterie
- Bacs à Batterie
- Des fiches de connexion rapide

