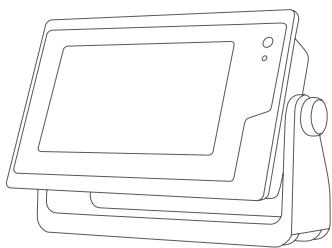


GARMIN



GPSMAP® 702/902 SERIES Installation Instructions

Important Safety Information

⚠ WARNING

See the *Important Safety and Product Information* guide in the product box for product warnings and other important information.

When connecting the power cable, do not remove the in-line fuse holder. To prevent the possibility of injury or product damage caused by fire or overheating, the appropriate fuse must be in place as indicated in the product specifications. In addition, connecting the power cable without the appropriate fuse in place voids the product warranty.

⚠ CAUTION

Always wear safety goggles, ear protection, and a dust mask when drilling, cutting, or sanding.

NOTICE

When drilling or cutting, always check what is on the opposite side of the surface.

To obtain the best performance and to avoid damage to your boat, install the device according to these instructions.

Read all installation instructions before proceeding with the installation. If you experience difficulty during the installation, contact Garmin® Product Support.

Registering Your Device

Help us better support you by completing our online registration today.

- Go to my.garmin.com.
- Keep the original sales receipt, or a photocopy, in a safe place.

Contacting Garmin Support

- Go to support.garmin.com for help and information, such as product manuals, frequently asked questions, videos, and customer support.
- In the USA, call 913-397-8200 or 1-800-800-1020.
- In the UK, call 0808 238 0000.
- In Europe, call +44 (0) 870 850 1241.

Software Update

You may need to update the device software when you install the device or add an accessory to the device.

This device supports up to a 32 GB memory card, formatted to FAT32.

Loading the New Software on a Memory Card

- 1 Insert a memory card into the card slot on the computer.
- 2 Go to www.garmin.com/support/software/marine.html.
- 3 Select **Download** next to **GPSMAP Series with SD Card**.
- 4 Read and agree to the terms.

- 5 Select **Download**.
- 6 Select **Run**.
- 7 Select the drive associated with the memory card, and select **Next > Finish**.

Updating the Device Software

Before you can update the software, you must obtain a software-update memory card or load the latest software onto a memory card.

- 1 Turn on the chartplotter.
- 2 After the home screen appears, insert the memory card into the card slot.

NOTE: In order for the software update instructions to appear, the device must be fully booted before the card is inserted.

- 3 Follow the on-screen instructions.
- 4 Wait several minutes while the software update process completes.
- 5 When prompted, leave the memory card in place and restart the chartplotter manually.
- 6 Remove the memory card.

NOTE: If the memory card is removed before the device restarts fully, the software update is not complete.

Tools Needed

- Drill
- Drill bits appropriate for the device and mounting style

Mounting Style	Drill Bit Sizes
Bail with included M4 wood screws	3.2 mm (¹ / ₈ in.)
Flush	13 mm (¹ / ₂ in.)
Flush with included M3.5 wood screws (702 series)	2 mm (⁵ / ₆₄ in.)
Flush with included M4 wood screws (902 series)	3.2 mm (¹ / ₈ in.)
Flush with included machine screws and nut plates	6 mm (¹ / ₄ in.) 4 mm (³ / ₁₆ in.)
Flush with included M3.5 machine screws and tapped holes (702 series)	M3.5 tap
Flush with included M4 machine screws and tapped holes (902 series)	M4 tap

- #2 Phillips screwdriver
- Jigsaw or rotary tool
- File and sandpaper
- Marine sealant (recommended)

Mounting Considerations

NOTICE

This device should be mounted in a location that is not exposed to extreme temperatures or conditions. The temperature range for this device is listed in the product specifications. Extended exposure to temperatures exceeding the specified temperature range, in storage or operating conditions, may cause device failure. Extreme-temperature-induced damage and related consequences are not covered by the warranty.

When selecting a mounting location, you should observe these considerations.

- The location should provide optimal viewing as you operate your boat.
- The location should allow for easy access to all device interfaces, such as the keypad, touchscreen, and card reader, if applicable.
- The location must be strong enough to support the weight of the device and protect it from excessive vibration or shock.
- To avoid interference with a magnetic compass, the device should not be installed closer to a compass than the

compass-safe distance value listed in the product specifications.

- The location must allow room for the routing and connection of all cables.

Bail Mounting the Device

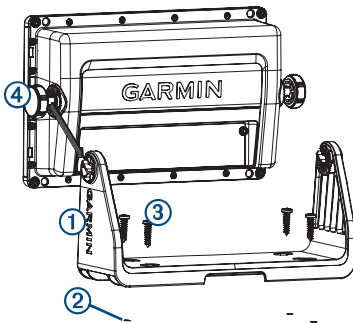
NOTICE

If you are mounting the bracket on fiberglass with screws, it is recommended to use a countersink bit to drill a clearance counterbore through only the top gel-coat layer. This will help to avoid cracking in the gel-coat layer when the screws are tightened.

Stainless-steel screws may bind when screwed into fiberglass and overtightened. It is recommended to apply an anti-seize lubricant on the screws before installing them.

You can use the included bracket to bail mount the device on a flat surface.

- 1 Using the bail-mount bracket ① as a template, mark the pilot holes ②.



- 2 Using a 3.2 mm ($1/8$ in.) drill bit, drill the pilot holes.
- 3 Secure the bail-mount bracket to the surface using the included M4 wood screws ③.
- 4 Install the bail-mount knobs ④ on the sides of the device.
- 5 Place the device in the bail-mount bracket, and tighten the bail-mount knobs.
- 6 Install the trim caps by snapping them in place around the edges of the device.

Flush Mounting the Device

NOTICE

Be careful when cutting the hole to flush mount the device. There is only a small amount of clearance between the case and the mounting holes, and cutting the hole too large could compromise the stability of the device after it is mounted.

The included template and hardware can be used to flush mount the device in your dashboard. There are three options for hardware based on the mounting surface material.

- You can drill pilot holes and use the included wood screws.
- You can drill holes and use the included nut plates and machine screws. The nut plates can add stability to a thinner surface.
- You can punch and tap holes, and use the included machine screws.

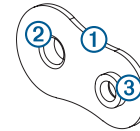
- 1 Trim the template, and make sure it fits in the location where you want to mount the device.
- 2 Secure the template to the mounting location.
- 3 Using a 13 mm ($1/2$ in.) drill bit, drill one or more of the holes inside the corners of the solid line on the template to prepare the mounting surface for cutting.
- 4 Using a jigsaw or a rotary tool, cut the mounting surface along the inside line on the template.
- 5 Place the device in the cutout to test the fit.

- 6 If necessary, use a file and sandpaper to refine the size of the cutout.
- 7 If necessary, remove the trim caps.

NOTICE

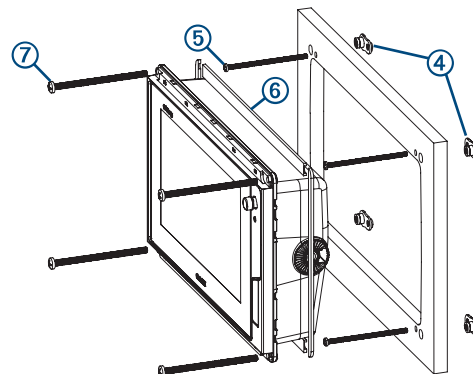
Use a plastic pry tool when possible. Using a metal pry tool, such as a screwdriver, can damage the trim caps and the device.

- 8 After the device fits correctly in the cutout, ensure the mounting holes on the device line up with the larger holes on the template.
- 9 If the mounting holes on the device do not line up, mark the new hole locations.
- 10 Based on your mounting surface and model, drill or punch and tap the larger holes:
 - For the included wood screws on 702 models, drill 2 mm ($5/64$ in.) holes, and skip to step 18.
 - For the included wood screws on 902 models, drill 3.2 mm ($1/8$ in.) holes, and skip to step 18.
 - For the included nut plate and machine screws, drill 6 mm ($1/4$ in.) holes in the larger hole locations.
 - For the included machine screws without the nut plate on 702 models, punch and tap M3.5 holes, and skip to step 18.
 - For the included machine screws without the nut plate on 902 models, punch and tap M4 holes, and skip to step 18.
- 11 If you are using a nut plate, starting in one corner of the template, place a nut plate ① over the larger hole ② drilled in the previous step.



The smaller hole ③ on the nut plate should line up with the smaller hole on the template.

- 12 If the smaller hole on the nut plate does not line up with the smaller hole on the template, mark the new hole location.
- 13 If you are using a nut plate, drill a 4 mm ($3/16$ in.) hole in the smaller hole location.
- 14 Repeat to verify placement of the remaining nut plates and holes on the template.
- 15 Remove the template from the mounting surface.
- 16 Starting in one corner of the mounting location, place a nut plate ④ on the back of the mounting surface, lining up the large and small holes.
The raised portion of the nut plate should fit into the larger hole.



- 17 Secure the nut plates to the mounting surface by fastening the smaller machine screws ⑤ through the smaller holes.

18 Install the foam gasket ⑥ on the back of the device.

The pieces of the foam gasket have adhesive on the back. Make sure you remove the protective liner before installing them on the device.

19 If you will not have access to the back of the device after you mount it, connect all necessary cables to the device before placing it into the cutout.

NOTICE

To prevent corrosion of the metal contacts, cover unused connectors with the attached weather caps.

20 Apply marine sealant between the mounting surface and the device to properly seal and prevent leakage behind the dashboard.

21 If you will have access to the back of the device, apply marine sealant around the cutout.

22 Place the device into the cutout.

23 Secure the device to the mounting surface using the larger machine screws ⑦ or the included wood screws.

24 Wipe away all excess marine sealant.

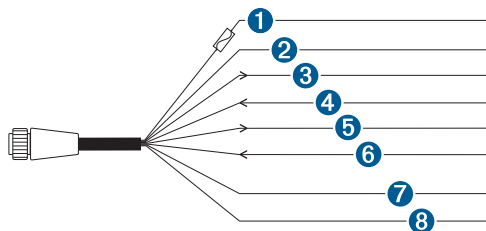
25 Install the trim caps by snapping them in place around the edges of the device.

Cable and Connection Considerations

- The cables may have been packaged without the locking rings installed. If so, you should route the cables before you install the locking rings.
- After connecting a locking ring to a cable, make sure the ring is securely connected and the O-ring is in place so the connection remains secure.

Power/NMEA® 0183 Cable

- The wiring harness connects the device to power, NMEA 0183 devices, and a lamp or a horn for visible or audible alerts.
- If it is necessary to extend the NMEA 0183 or alarm wires, you must use 22 AWG (.33 mm²) wire.



Item	Wire Color	Wire Function
①	Red	Power
②	Black	Ground (power and NMEA 0183)
③	Blue	NMEA 0183 TXA
④	Brown	NMEA 0183 RXA
⑤	Gray	NMEA 0183 TXB
⑥	Violet	NMEA 0183 RXB
⑦	Orange	Accessory on
⑧	Yellow	Alarm low

Connecting the Wiring Harness to Power

⚠ WARNING

When connecting the power cable, do not remove the in-line fuse holder. To prevent the possibility of injury or product damage caused by fire or overheating, the appropriate fuse must be in place as indicated in the product specifications. In addition, connecting the power cable without the appropriate fuse in place voids the product warranty.

1 Route the wiring harness to the power source and to the device.

2 Connect the red wire to the positive (+) battery terminal, and connect the black wire to the negative (-) battery terminal.

3 If necessary, install the locking ring and O-ring on the end of the wiring harness.

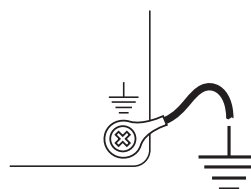
4 Insert the cable into the POWER connector on the back of the device, pushing firmly.

5 Turn the locking ring clockwise to attach the cable to the device.

Additional Grounding Consideration

This consideration is applicable only to devices that have a grounding screw. Not all models have a grounding screw.

This device should not need additional chassis grounding in most installation situations. If you experience interference, the grounding screw on the housing can be used to connect the device to the water ground of the boat to help avoid the interference.



Garmin Marine Network Considerations

NOTICE

A Garmin Power over Ethernet (PoE) Isolation Coupler (P/N 010-10580-10) must be used when connecting any third-party device, such as a FLIR® camera, to a Garmin Marine Network. Connecting a PoE device directly to a Garmin Marine Network chartplotter damages the Garmin chartplotter and may damage the PoE device. Connecting any third-party device directly to a Garmin Marine Network chartplotter will cause abnormal behavior on the Garmin devices, including the devices not properly turning off or the software becoming inoperable.

This device can connect to additional Garmin Marine Network devices to share data such as radar, sonar, and detailed mapping. When connecting Garmin Marine Network devices to this device, observe these considerations.

- All devices connected to the Garmin Marine Network must be connected to the same ground.
- A Garmin Marine Network cable must be used for all Garmin Marine Network connections.
 - Third-party CAT5 cable and RJ45 connectors must not be used for Garmin Marine Network connections.
 - Additional Garmin Marine Network cables and connectors are available from your Garmin dealer.
- The ETHERNET ports on the device each act as a network switch. Any compatible device can be connected to any ETHERNET port to share data with all devices on the boat connected by a Garmin Marine Network cable.

NMEA 2000® Considerations

NOTICE

If you are connecting this device to an existing NMEA 2000 network, the NMEA 2000 network should already be connected to power. Do not connect the NMEA 2000 power cable to an existing NMEA 2000 network, because only one power source should be connected to a NMEA 2000 network.

If you are connecting this device to an existing NMEA 2000 network or engine network by another manufacturer, you should install a NMEA 2000 Power Isolator (010-11580-00) between the existing network and the Garmin devices.

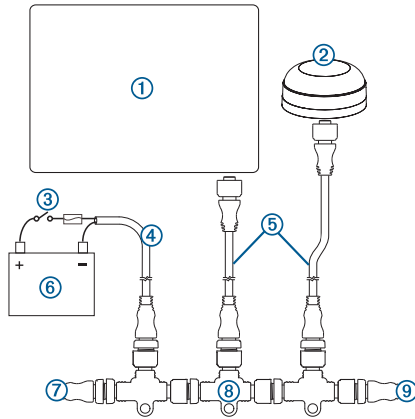
If you are installing a NMEA 2000 power cable, you must connect it to the boat ignition switch or through another in-line

switch. NMEA 2000 devices will drain your battery if the NMEA 2000 power cable is connected to the battery directly.

This device can connect to a NMEA 2000 network on your boat to share data from NMEA 2000 compatible devices such as a GPS antenna or a VHF radio. The included NMEA 2000 cables and connectors allow you to connect the device to your existing NMEA 2000 network. If you do not have an existing NMEA 2000 network you can create a basic one using cables from Garmin.

If you are unfamiliar with NMEA 2000, you should read the "NMEA 2000 Network Fundamentals" chapter of the *Technical Reference for NMEA 2000 Products*. You can find this document using the "Manuals" link on the product page for your device at www.garmin.com.

The port labeled NMEA 2000 is used to connect the device to a standard NMEA 2000 network.



Item	Description
①	NMEA 2000 compatible Garmin device
②	GPS antenna
③	Ignition or in-line switch
④	NMEA 2000 power cable
⑤	NMEA 2000 drop cable
⑥	12 Vdc power source
⑦	NMEA 2000 terminator or backbone cable
⑧	NMEA 2000 T-connector
⑨	NMEA 2000 terminator or backbone cable

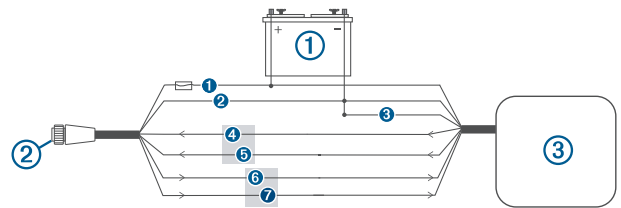
NMEA 0183 Connection Considerations

- There is one internal NMEA 0183 input port (RX port) and one internal NMEA 0183 output port (TX port) on the included NMEA 0183 data cable. You can connect one NMEA 0183 device to the internal RX port to input data to this Garmin device, and you can connect up to three NMEA 0183 devices in parallel to the internal TX port to receive data output by this Garmin device.
- See the installation instructions for the NMEA 0183 device to identify the transmit (TX) and receive (RX) wires.
- The device provides one TX port and one RX port. Each internal port has 2 wires, labeled A and B according to the NMEA 0183 convention. The corresponding A and B wires of each internal port should be connected to the A (+) and B (-) wires of the NMEA 0183 device.
- You must use 28 AWG, shielded, twisted-pair wiring for extended runs of wire. Solder all connections and seal them with heat-shrink tubing.
- Do not connect the NMEA 0183 data wires from this device to power ground.
- The power cable from this device and the NMEA 0183 devices must be connected to a common power ground.

- For two-way communication with a NMEA 0183 device, the internal ports on the NMEA 0183 data cable are not linked. For example, if the input of the NMEA 0183 device is connected to TXA on the data cable, you can connect the output port of your NMEA 0183 device to the input port on the wiring harness.
- See [NMEA 0183 Information, page 6](#) for a list of the approved NMEA 0183 sentences that are output by and input to this device.
- The internal NMEA 0183 ports and communication protocols are configured on the connected Garmin device. See the NMEA 0183 section of the chartplotter owner's manual for more information.

NMEA 0183 Device Connections

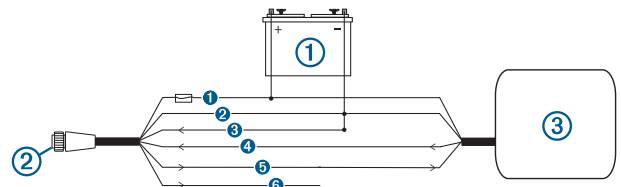
This diagram illustrates two-way connections for both sending and receiving data. You can also use this diagram for one-way communication. To receive information from a NMEA 0183 device, refer to items ①, ②, ③, and ④ when connecting the Garmin device. To transmit information to a NMEA 0183 device, refer to items ①, ②, ⑤, and ⑥ when connecting the Garmin device.



Item	Description
①	Power source
②	Power/NMEA 0183 cable
③	NMEA 0183 device

Item	Garmin Wire Function	Garmin Wire Color	NMEA 0183 Device Wire Function
①	Power	Red	Power
②	Power ground	Black	Power ground
③	Not applicable	Not applicable	Data ground
④	RXA	Brown	TXA
⑤	RXB	Violet	TXB
⑥	TXA	Blue	RXA
⑦	TXB	Gray	RXB

Single-Ended NMEA 0183 Device Connections



Item	Description
①	Power source
②	Power/NMEA 0183 cable
③	NMEA 0183 device

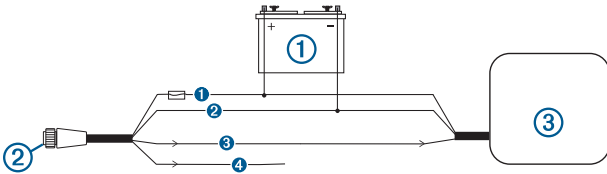
Item	Garmin Wire Function	Garmin Wire Color	NMEA 0183 Device Wire Function
①	Power	Red	Power
②	Power ground	Black	Power ground

Item	Garmin Wire Function	Garmin Wire Color	NMEA 0183 Device Wire Function
③	RXB	Violet	Not applicable
④	RXA	Brown	TX
⑤	TXA	Blue	RX
⑥	TXB	Gray	N/A

- If the NMEA 0183 device has only one input (receive, RX) wire (no A, B, +, or -), you must leave the TXB wire unconnected.
- If the NMEA 0183 device has only one output (transmit, TX) wire (no A, B, +, or -), you must connect the RXB wire to ground.

NMEA 0183 Device Connected with a Single Receive Wire

In this example, the NMEA 0183 device is receiving data from the chartplotter.

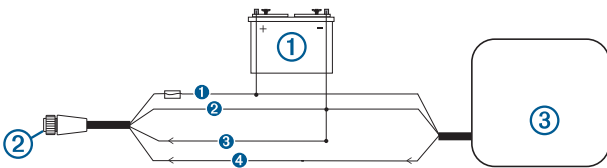


Item	Description
①	Power source
②	Power/NMEA 0183 cable
③	NMEA 0183 device

Item	Garmin Wire Function	Garmin Wire Color	NMEA 0183 Device Wire Function
①	Power	Red	Power
②	Power ground	Black	Power ground
③	TXA	Blue	RXA
④	TXB	Gray	Not applicable

NMEA 0183 Device Connected with a Single Transmit Wire

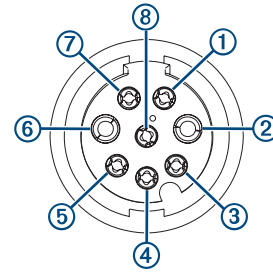
In this example, the NMEA 0183 device is sending data to the chartplotter.



Item	Description
①	Power source
②	Power/NMEA 0183 cable
③	NMEA 0183 device

Item	Garmin Wire Function	Garmin Wire Color	NMEA 0183 Device Wire Function
①	Power	Red	Power
②	Power ground	Black	Power ground
③	RXB	Violet	Not applicable
④	RXA	Brown	TXA

NMEA 0183 and Power Cable Pinout

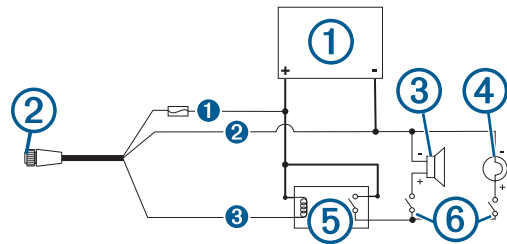


Wire Function	Wire Color	Pin Number
NMEA RXA	Brown	③
NMEA TXA	Blue	④
NMEA RXB	Violet	⑦
NMEA TXB	Gray	①
Alarm	Yellow	⑤
Accessory on	Orange	⑧
Ground (shield)	Black	②
VIN	Red	⑥

Lamp and Horn Connections

The device can be used with a lamp, a horn, or both, to sound or flash an alert when the chartplotter displays a message. This is optional, and the alarm wire is not necessary for the device to function normally. When connecting the device to a lamp or horn, observe these considerations.

- The alarm circuit switches to a low-voltage state when the alarm sounds.
- The maximum current is 1 A, and a relay is needed to limit the current from the chartplotter to 1 A.
- To manually toggle visual and audible alerts, you can install single-pole, single-throw switches.



Item	Description
①	Power source
②	Power cable
③	Horn
④	Lamp
⑤	Relay (1 A coil current)
⑥	Toggle switches to enable and disable lamp or horn alerts

Item	Wire Color	Wire Function
①	Red	Power
②	Black	Ground
③	Yellow	Alarm

Composite Video Considerations

This chartplotter allows video input from composite video sources using the port labeled CVBS IN. When connecting composite video, you should observe these considerations.

- The CVBS IN port uses a BNC connector. You can use a BNC to RCA adapter to connect a composite-video source with RCA connectors to the CVBS IN port.
- Video is shared across the Garmin Marine Network, but it is not shared across the NMEA 2000 network.

Specifications

Specifications

Device	Specification	Measurement
Seven-inch models	Dimensions (W × H × D)	224 × 142.5 × 53.9 mm (8 13/16 × 5 5/8 × 2 1/8 in.)
	Display size (W × H)	154 × 86 mm (6.1 × 3.4 in.)
	Weight	0.86 kg (1.9 lbs)
	Compass-safe distance	71 cm (28 in.)
	Max. power usage at 10 Vdc	24 W
	Typical current draw at 12 Vdc	1.5 A
	Max. current draw at 12 Vdc	2.0 A
Nine-inch models	Dimensions (W × H × D)	256.4 × 162.3 × 52.5 mm (10 1/8 × 6 3/8 × 2 1/16 in.)
	Display size (W × H)	197 × 114 mm (7.74 × 4.49 in.)
	Weight	1.14 kg (2.5 lbs)
	Compass-safe distance	76 cm (30 in.)
	Max. power usage at 10 Vdc	27 W
	Typical current draw at 12 Vdc	1.8 A
	Max. current draw at 12 Vdc	2.3 A
Sonar models	Frequencies*	Traditional: 50/200, 77/200, 83/200 kHz Single Channel CHIRP: from 40 to 240 kHz Garmin ClearVü CHIRP: 260/455/800 kHz (dependent on transducer)
	Transmit power (RMS)**	CHIRP: 1000 W Garmin ClearVü and SideVü CHIRP: 500 W
	Depth***	5,000 ft at 1 kW
All models	Temperature range	From -15° to 55°C (from 5° to 131°F)
	Material	Polycarbonate plastic and die-cast aluminum
	Water rating****	IEC 60529 IPX7
	Fuse	6 A, 125 V fast-acting
	Input power	From 10 to 32 Vdc
	NMEA 2000 LEN	2
	NMEA 2000 draw	75 mA max.

*Dependent upon the transducer.

**Dependent upon the transducer rating and depth.

****Dependent upon the transducer, water salinity, bottom type, and other water conditions.

*The device withstands incidental exposure to water of up to 1 m for up to 30 min. For more information, go to www.garmin.com/waterrating.

NMEA 2000 PGN Information

Type	PGN	Description
Transmit and receive	059392	ISO acknowledgment
	059904	ISO request
	060928	ISO address claim
	126208	NMEA: Command, request, and acknowledge group function
	126464	Transmit and receive PGN list group function

Type	PGN	Description
	126996	Product information
	127250	Vessel heading
	128259	Speed: Water referenced
	128267	Water depth
	129025	Position: Rapid update
	129026	COG and SOG: Rapid update
	129029	GNSS position data
	129540	GNSS satellites in view
	130306	Wind data
	130312	Temperature
	Transmit	127258
129283		Cross track error
129284		Navigation data
129285		Navigation route and waypoint info
Receive	065030	Generator average basic AC quantities (GAAC)
	126992	System time
	127488	Engine parameters: Rapid update
	127489	Engine parameters: Dynamic
	127493	Transmission parameters: Dynamic
	127504	AC output status
	127505	Fluid level
	127508	Battery status
	129038	AIS class A position report
	129039	AIS class B position report
	129040	AIS class B extended position report
	129539	GNSS DOPs
	129794	AIS class A static and voyage related data
	129809	AIS class B "CS" static data report, part A
	129810	AIS class B "CS" static data report, part B
	130310	Environmental parameters
	130311	Environmental parameters (obsolete)
	130313	Humidity
	130314	Actual pressure

NMEA 0183 Information

Type	Sentence	Description
Transmit	GPAPB	APB: Heading or track controller (autopilot) sentence "B"
	GPBOD	BOD: Bearing (origin to destination)
	GPBWC	BWC: Bearing and distance to waypoint
	GPGGA	GGA: Global positioning system fix data
	GPGLL	GLL: Geographic position (latitude and longitude)
	GPGSA	GSA: GNSS DOP and active satellites
	GPGSV	GSV: GNSS satellites in view
	GPRMB	RMB: Recommended minimum navigation information
	GPRMC	RMC: Recommended minimum specific GNSS data
	GPRTE	RTE: Routes
	GPVTG	VTG: Course over ground and ground speed
GPWPL	WPL: Waypoint location	

Type	Sentence	Description
	GPXTE	XTE: Cross track error
	PGRME	E: Estimated error
	PGRMM	M: Map datum
	PGRMZ	Z: Altitude
	SDDBT	DBT: Depth below transducer
	SDDPT	DPT: Depth
	SDMTW	MTW: Water temperature
	SDVHW	VHW: Water speed and heading
Receive	DPT	Depth
	DBT	Depth below transducer
	MTW	Water temperature
	VHW	Water speed and heading
	WPL	Waypoint location
	DSC	Digital selective calling information
	DSE	Expanded digital selective calling
	HDG	Heading, deviation, and variation
	HDM	Heading, magnetic
	MWD	Wind direction and speed
	MDA	Meteorological composite
	MWV	Wind speed and angle
	VDM	AIS VHF data-link message
<p>You can purchase complete information about National Marine Electronics Association (NMEA) format and sentences from: NMEA, Seven Riggs Avenue, Severna Park, MD 21146 USA (www.nmea.org)</p>		

© 2016–2017 Garmin Ltd. or its subsidiaries
Garmin®, the Garmin logo, and GPSMAP® are trademarks of Garmin Ltd. or its subsidiaries, registered in the USA and other countries. These trademarks may not be used without the express permission of Garmin.

NMEA®, NMEA 2000®, and the NMEA 2000 logo are registered trademarks of the National Marine Electronics Association. HDMI® is a registered trademark of HDMI Licensing, LLC.

