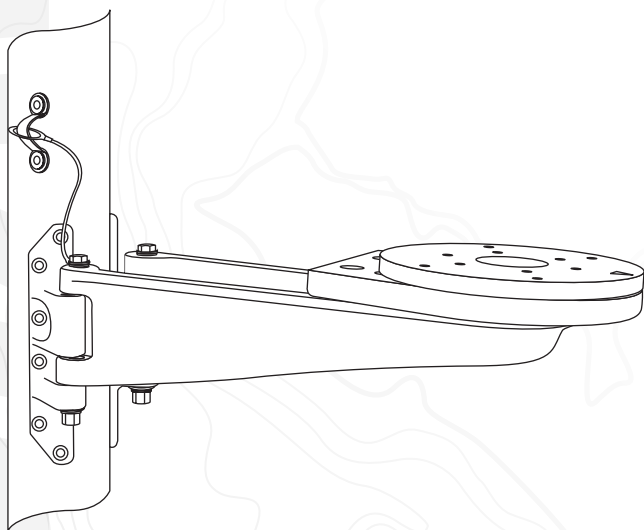


SEAVIEW

ELEVATE YOUR ELECTRONICS



INSTALLATION INSTRUCTIONS

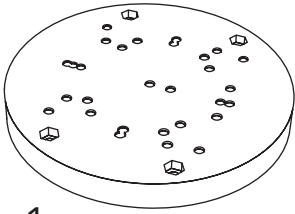
For Seaview Mast Mount:

SM-14-F

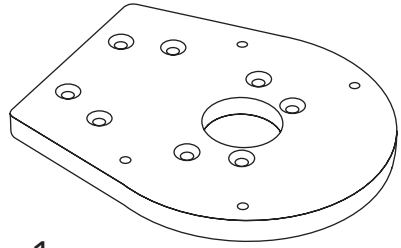
Refer to website for most up to
date instructions and videos.

WWW.SEAVIEWGLOBAL.COM

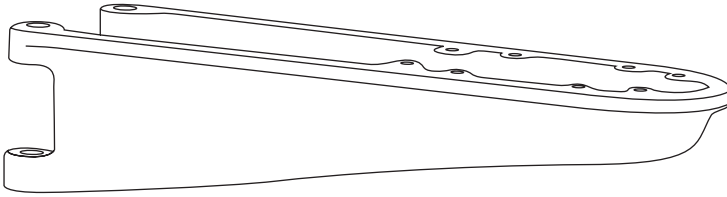
PARTS INCLUDED



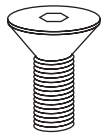
x1



x1



x1



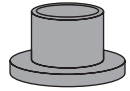
x8



x4



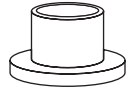
x2



x12



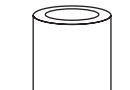
x2



x4



x3

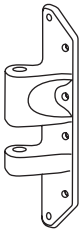


x10



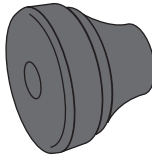
SMMBR-2

x1



SMMBL-2

x1



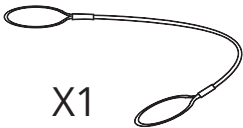
x1



x14



x2



x1

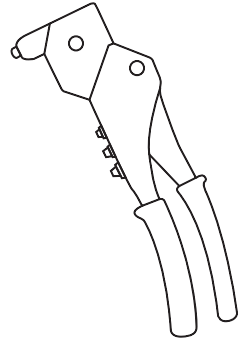


x1

TOOLS NEEDED



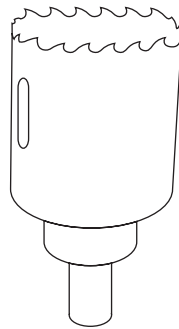
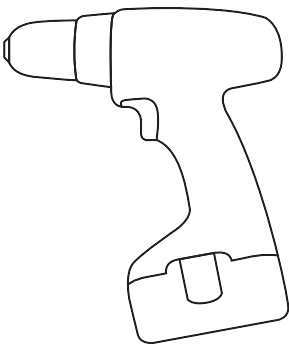
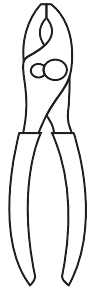
Sudbury Elastomeric Marine Sealant is recommended. To purchase call 800-655-7922 or visit www.seaviewglobal.com



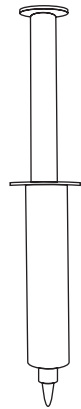
5/16" = 8mm



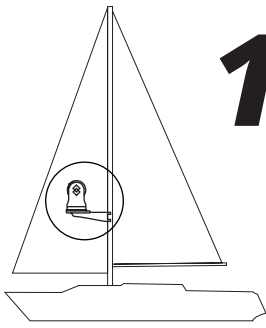
3/16" = 4.7mm



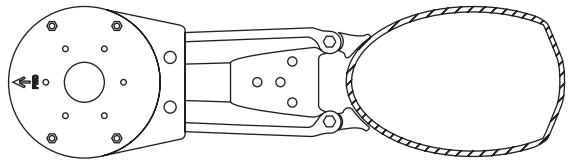
15/16" = 25mm



Tef-Gel or Equivalent



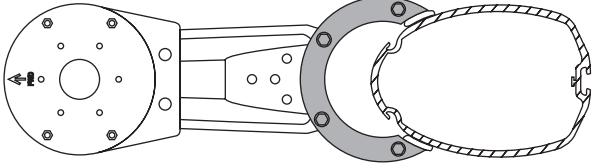
1A



SM-AD-ISO

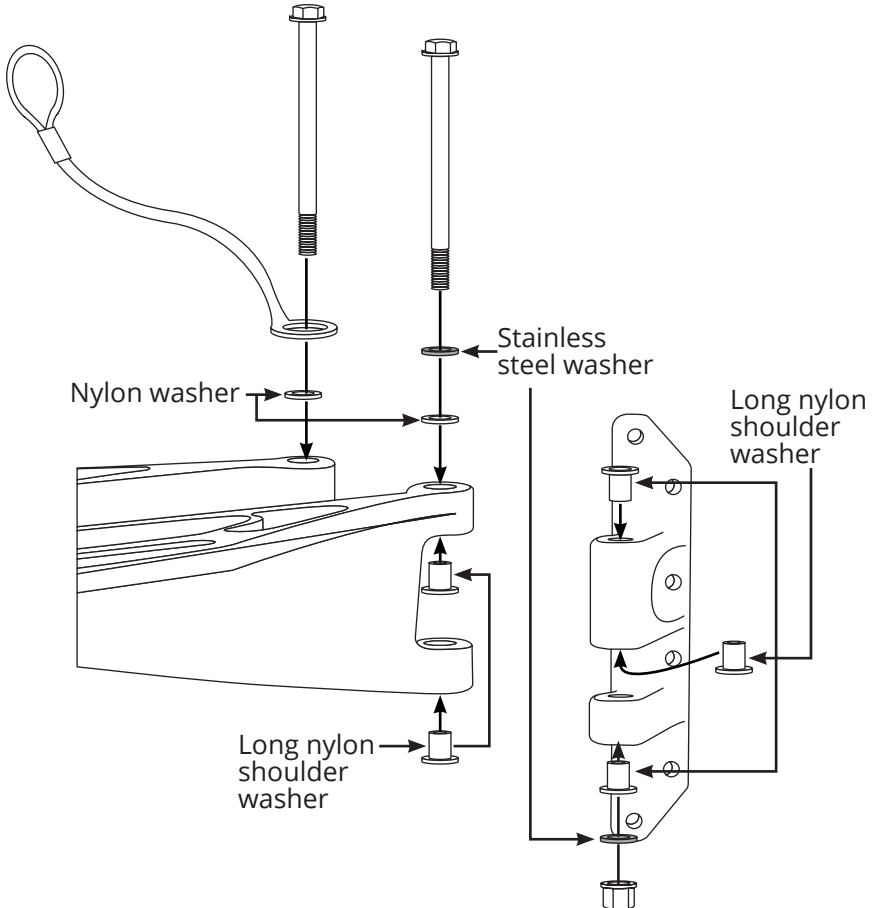


1B



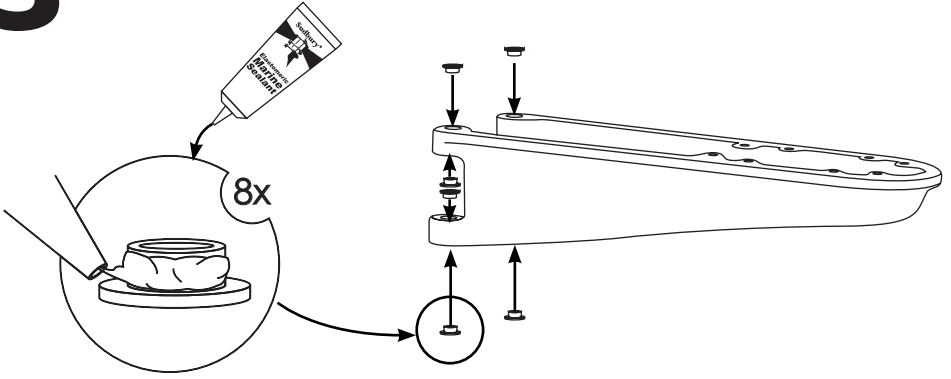
2

SM-14-F Mast Mount foot assembly.



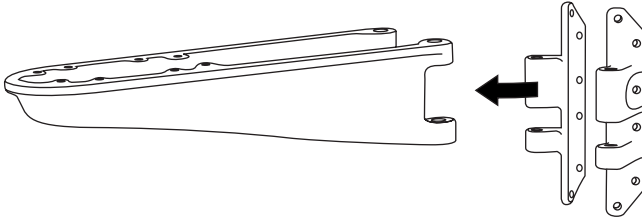
3

Apply marine adhesive sealant to the eight shoulder washers, then insert them into the mast mount as shown.



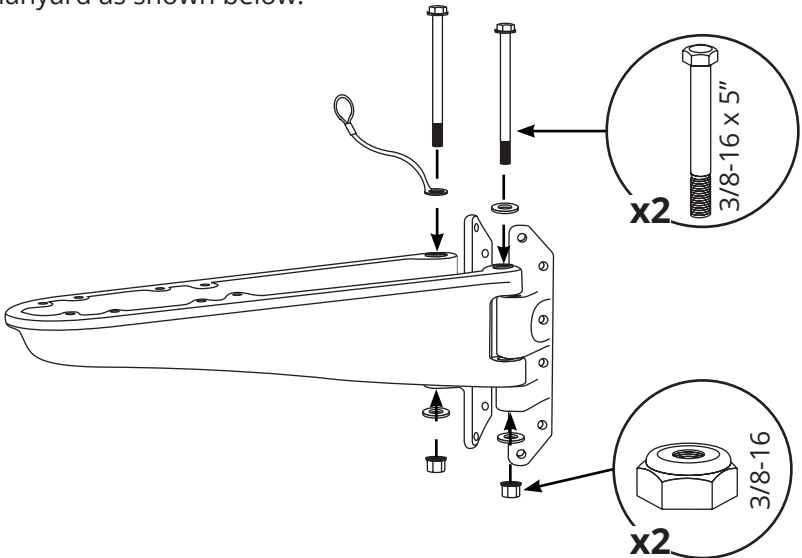
4

Once all shoulder washers are inserted attach the two mast mount feet.

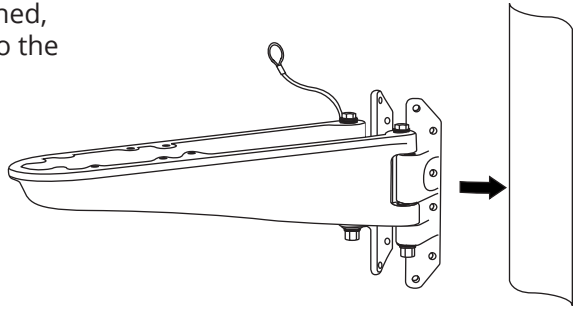


5

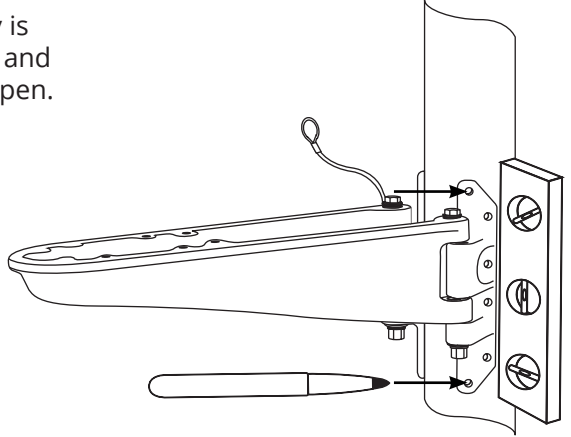
Insert the two bolts along with the three washers, two nuts and lanyard as shown below.



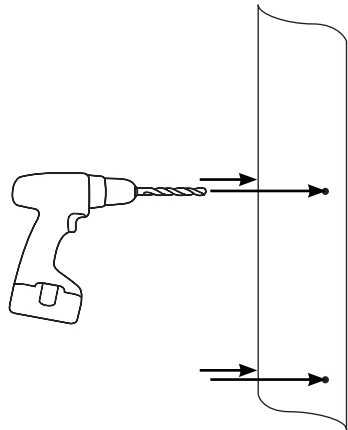
6 Once the feet are attached, place the assembly onto the mast.



7 Make sure the assembly is level, then mark the top and bottom bolt hole with a pen.

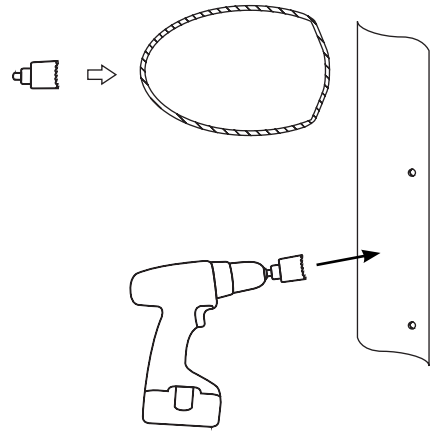


8 Once you've marked the four holes use a 3/16" drill bit to drill into the mast.



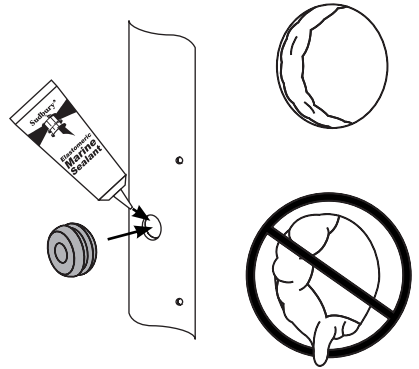
9

Using a 25mm hole saw, drill into the center of the mast to run our electronic cables.



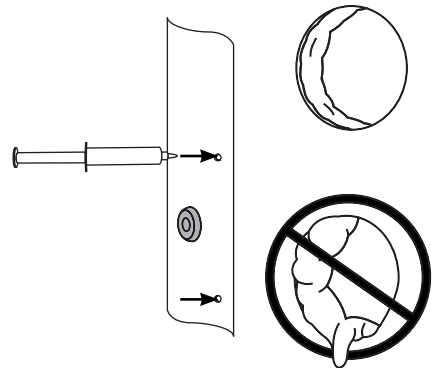
10

Apply marine adhesive sealant in the hole you just drilled. Be sure not to apply too much. Then insert the rubber grommet.



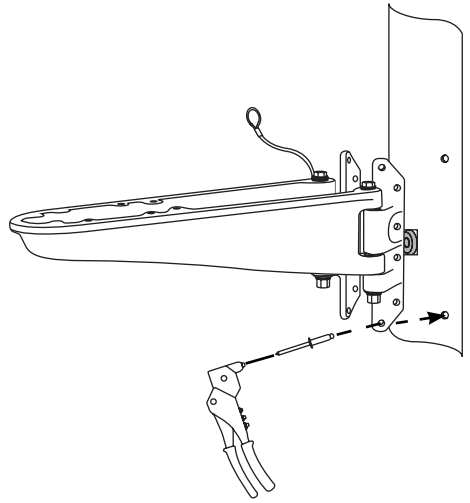
11

Apply Tef-Gel to the four holes you drilled for the mast mount feet. Again be sure not to apply too much.



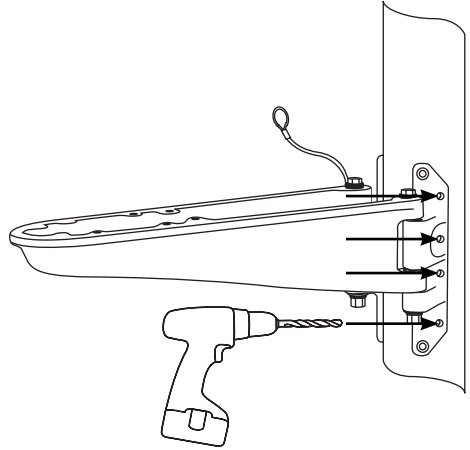
12

Secure the mast mount assembly to the mast using the supplied rivets.



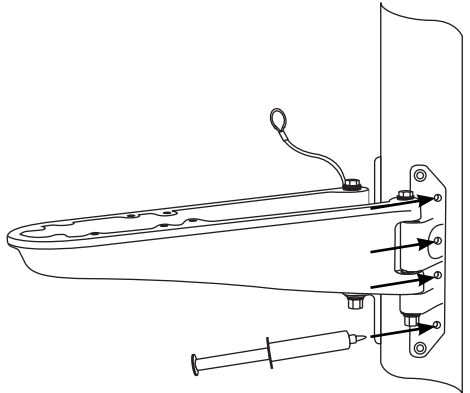
13

Using a 3/16" drill bit drill the remaining eight holes in the mast mount feet.

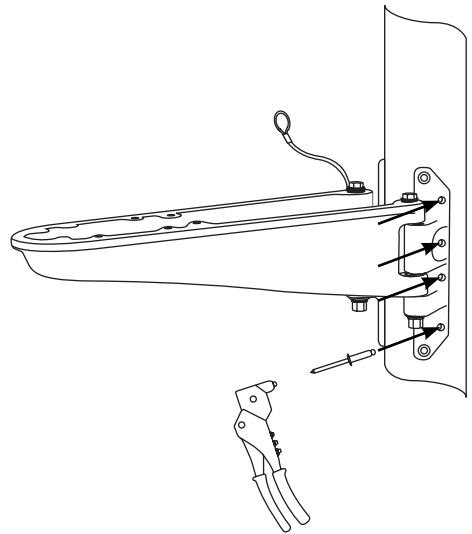


14

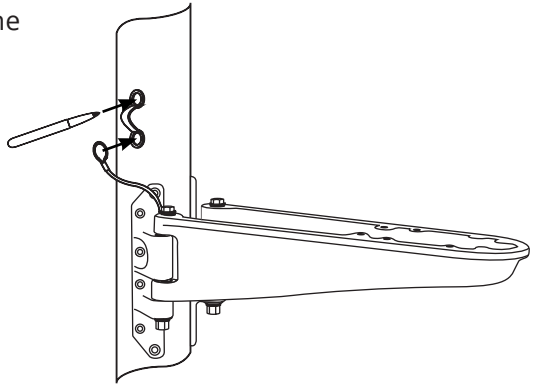
Apply Tef-Gel to the eight holes you just drilled.



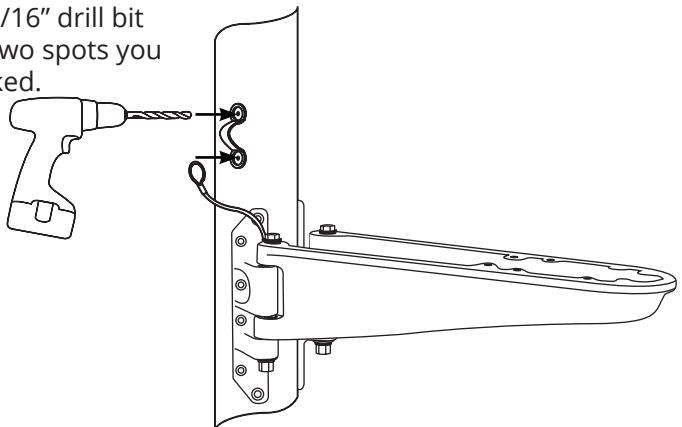
15 Insert the rivets into the remaining eight holes.



16 Mark two holes for the latch.

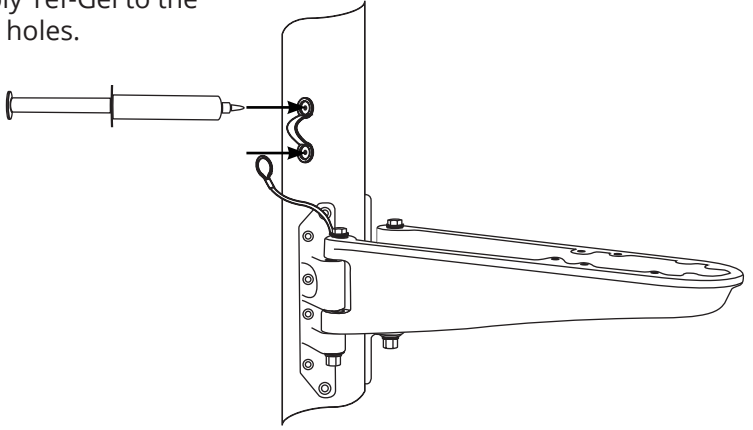


17 Using a 3/16" drill bit drill the two spots you just marked.



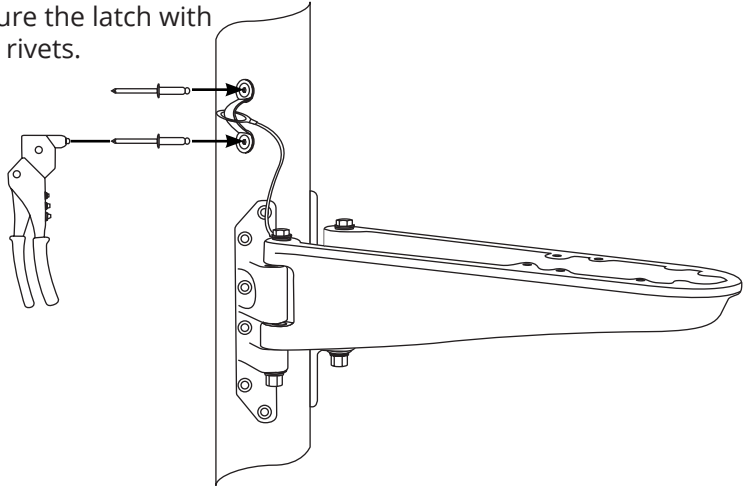
18

Apply Tef-Gel to the two holes.



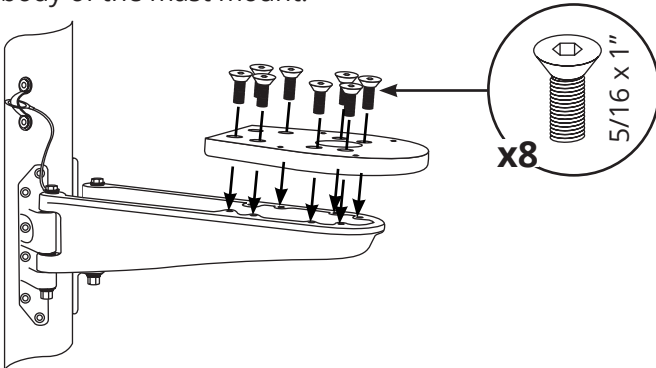
19

Secure the latch with two rivets.

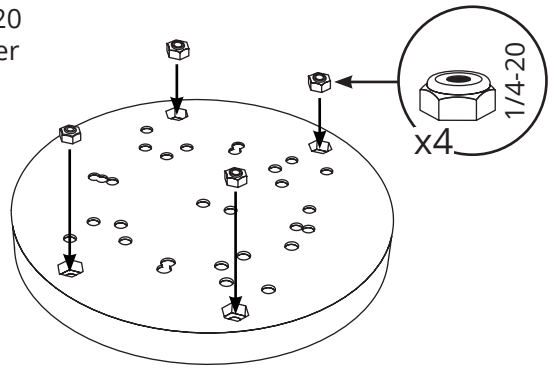


20

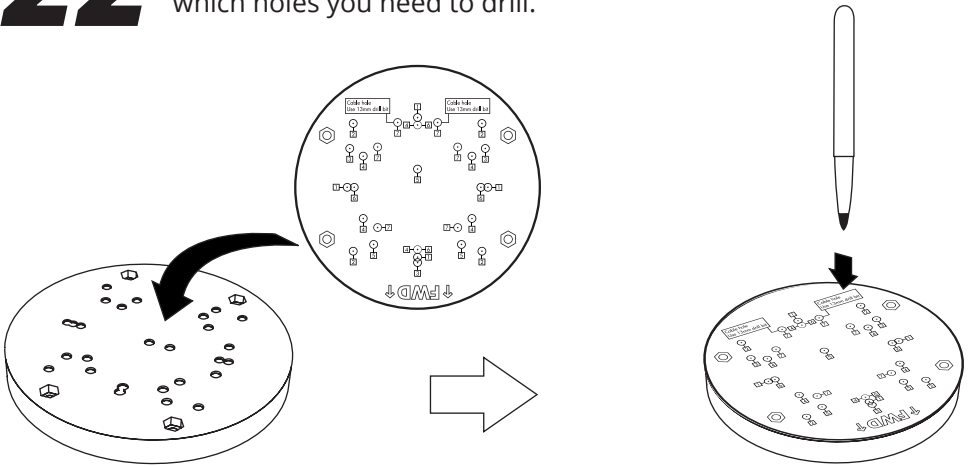
Use the eight 5/16 x 1" bolts to secure the adapter plate to the body of the mast mount.



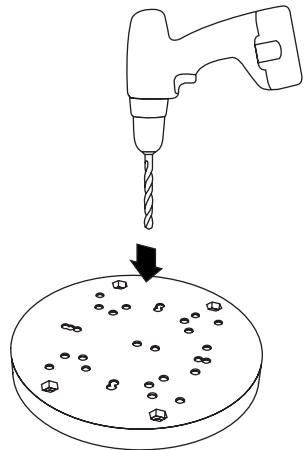
21 Insert the four 1/4-20 nuts into the adapter plate.



22 Place the drill template onto the adapter plate and mark the appropriate holes for drilling. Refer to the last page to find out which holes you need to drill.

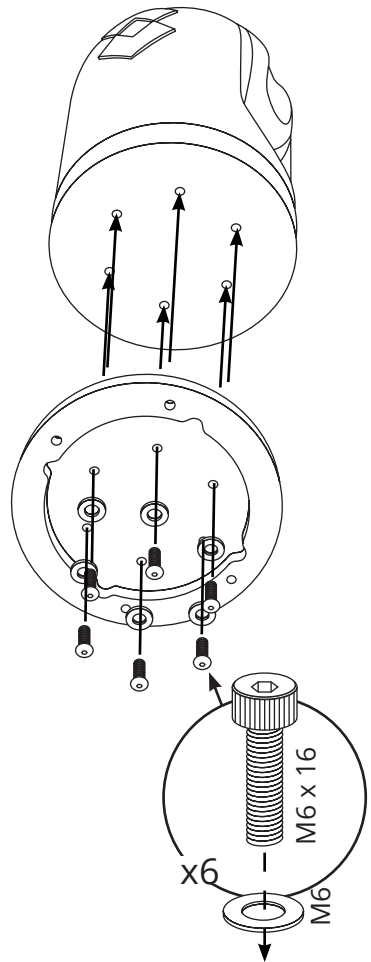


22 Drill the holes that you just marked.



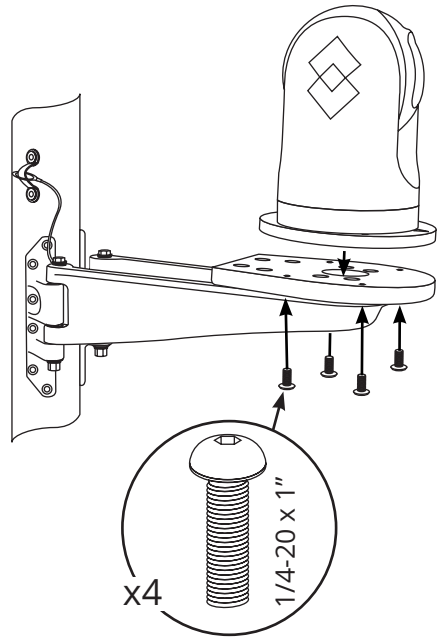
23

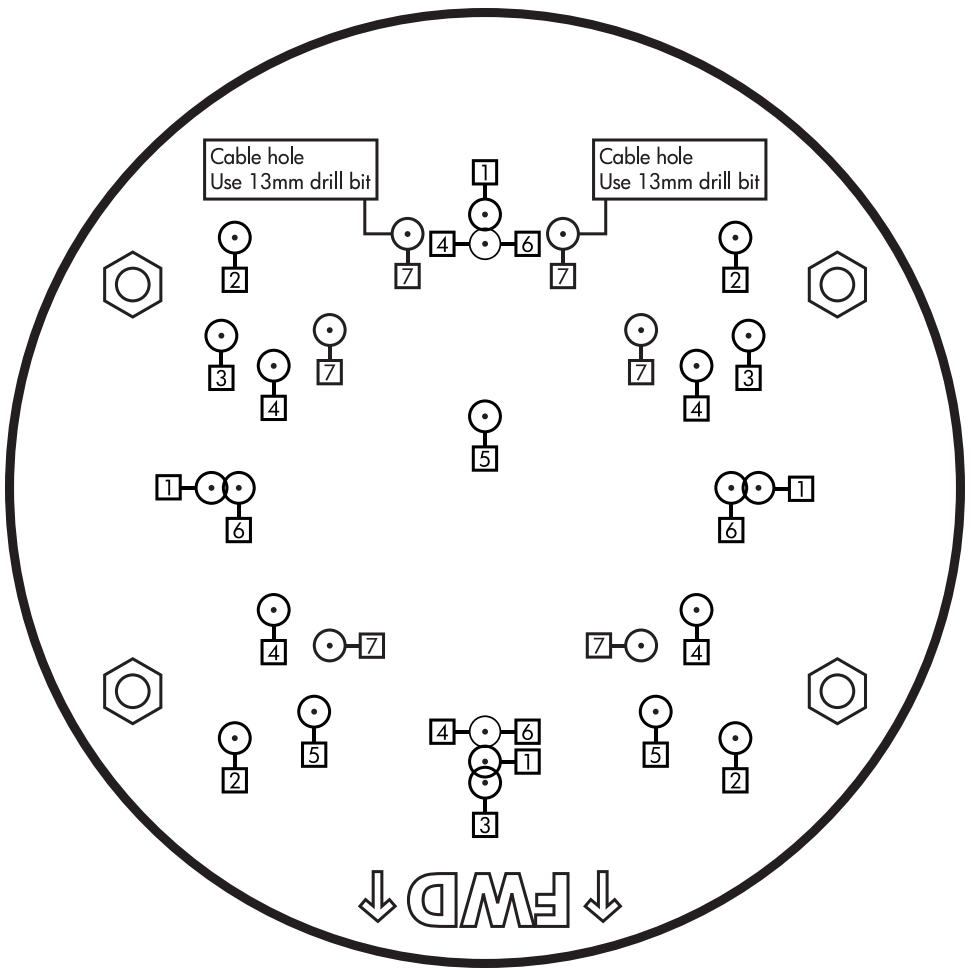
Secure the thermal camera to the adapter plate with the six M6x16 bolts and washers.



24

Secure the assembly with the four 1/4-20 x 1" bolts.





Drill Template Chart

1	ACR	RCL75
2	GOLIGHT	2000 / 2020
3	GOLIGHT	Striker
4	FLIR, Raymarine	M-Series, T300, T400 Series
5	Garmin	2000 / 2020
6	ACR	RCL100
7	FLIR, Raymarine	MD Series, T200 Series

THIS PAGE INTENTIONALLY LEFT BLANK.

The background of the entire page is a light gray topographic map with white contour lines. The lines are irregular and wavy, representing terrain elevation. The map covers the entire page, with the text elements overlaid on it.

SEAVIEW///
ELEVATE YOUR ELECTRONICS

SEAVIEW///

Tel: 800-655-7922
www.seaviewglobal.com

EUROPEAN OFFICE

Tel: +33 4 94 53 27 70
www.seaviewprogress.com

4-010819