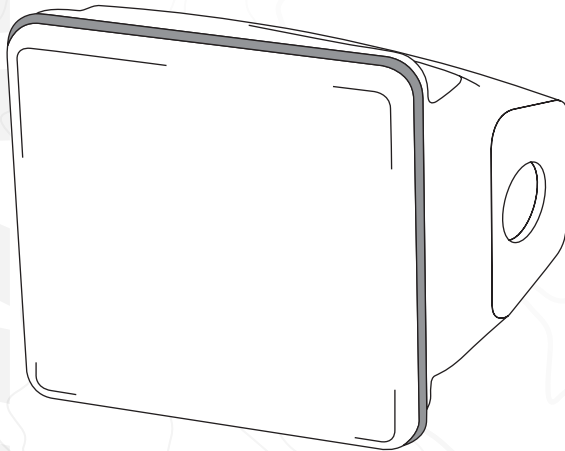


SEAVIEW

ELEVATE YOUR ELECTRONICS



INSTALLATION INSTRUCTIONS

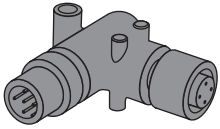
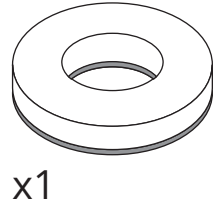
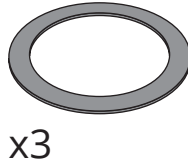
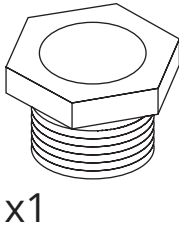
For Seaview Instrument Pod:

SP1BOX, SP1BOX2

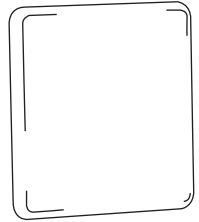
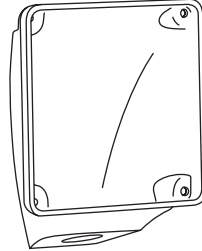
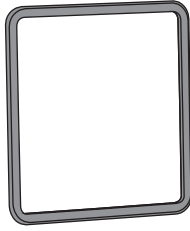
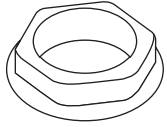
Refer to website for most up to
date instructions and videos.

WWW.SEAVIEWGLOBAL.COM

PARTS INCLUDED



x1 (SP1BOX2 Only)



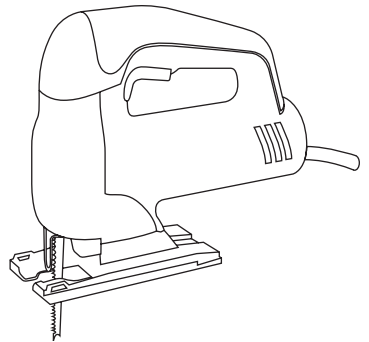
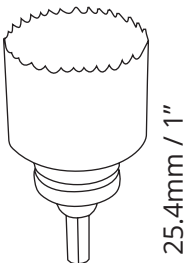
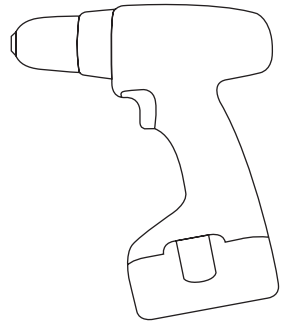
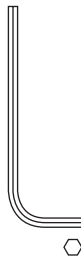
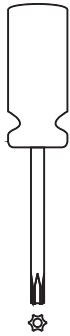
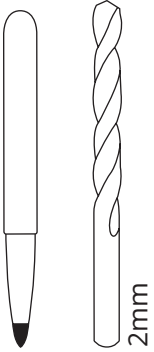
x1

x1

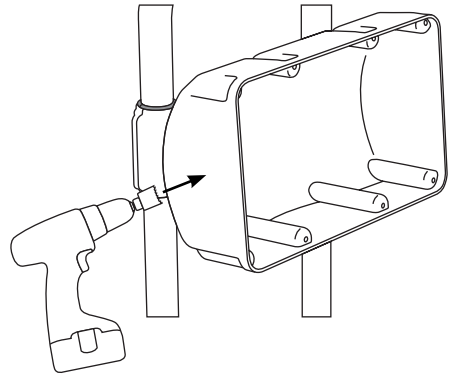
x1

x1

TOOLS NEEDED



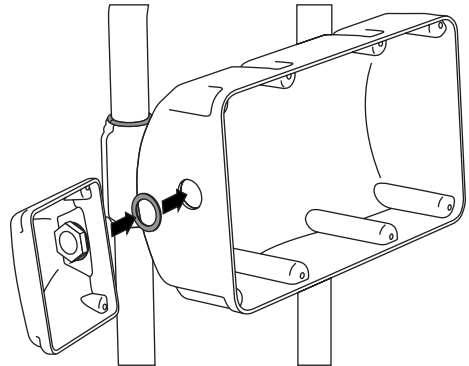
1 Using a 1" hole saw drill a hole on the end of the instrument pod.



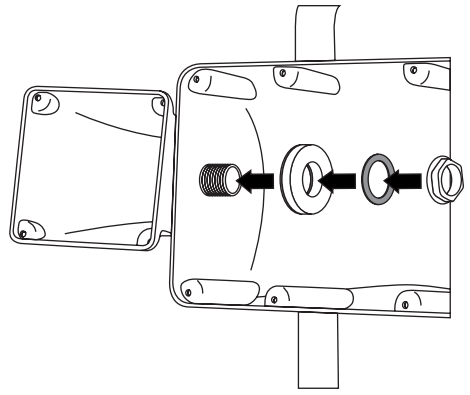
2 Insert the stainless steel bolt through a rubber gasket and through the housing.



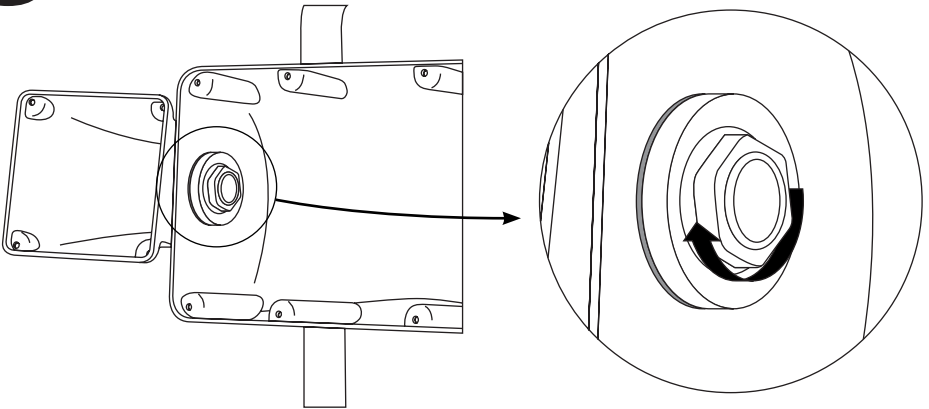
3 Insert a rubber gasket in between the housings and instrument pod. Then insert the stainless steel bolt through the 1" hole in the instrument pod.



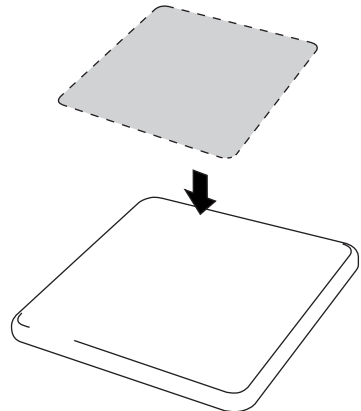
- 4** Insert the white plastic washer and rubber gasket onto the stainless steel bolt. Thread on the plastic nut.



- 5** Make sure the housing is positioned to your liking and that the plastic nut is tight.

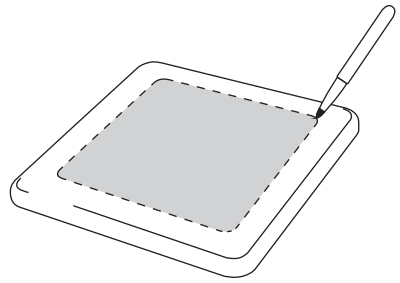


- 6** Place the template for your electronic instrument onto the face plate.



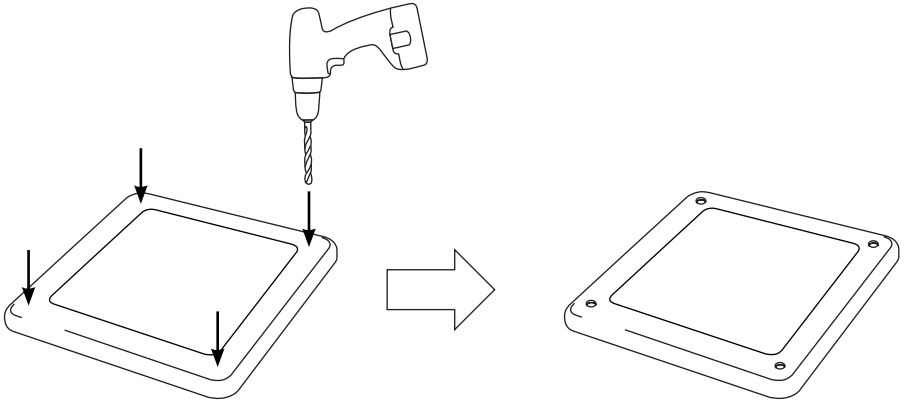
7

Trace the edge of the template.



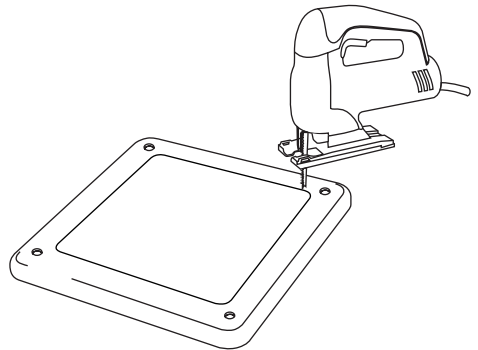
8

Remove the template and drill the four holes that will secure your electronic instrument.



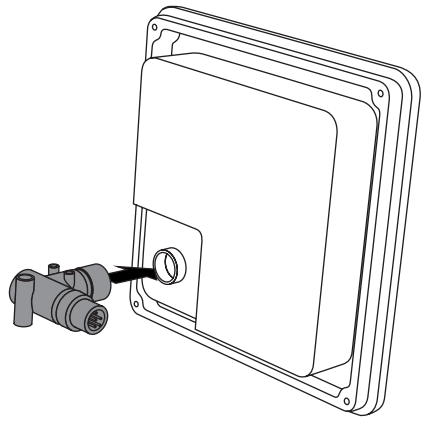
9

Use a saw to cut the line that you traced.



10

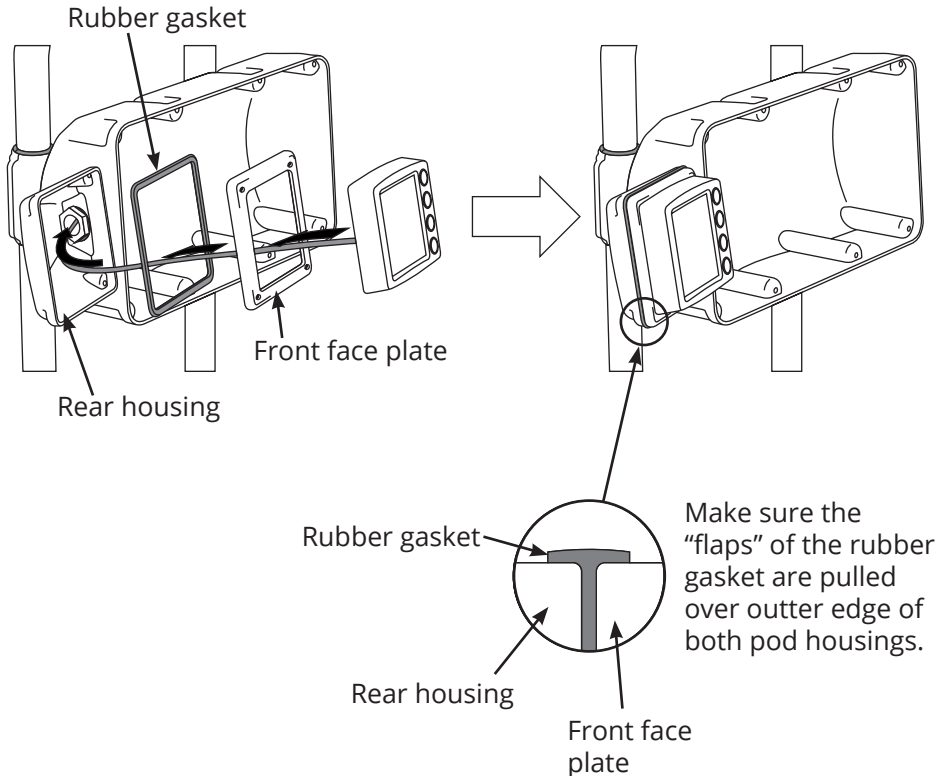
SP1BOX2 Only:
Plug the 90 degree connector to the back of the B&G Triton2. Then connect cable to the 90 degree connector.



11

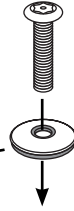
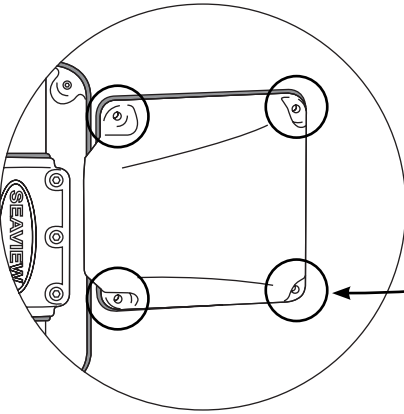
Route the cables through the front face plate and through the hollow stainless steel bolt. Then mount the electronic instrument to the face plate and rubber gasket.

Note: the rubber gasket should already be applied to the front face plate.



12

Secure the housing assembly with the four tamper resistant screws and washers.



M4 x 0.7 x 20mm

The background of the entire page is a light gray topographic map with white contour lines. The lines are irregular and wavy, representing elevation changes across a landscape. The map is centered and covers the entire area.

SEAVIEW///
ELEVATE YOUR ELECTRONICS

SEAVIEW///

Tel: 800-655-7922
www.seaviewglobal.com

EUROPEAN OFFICE

Tel: +33 4 94 53 27 70
www.seaviewprogress.com

2-092418