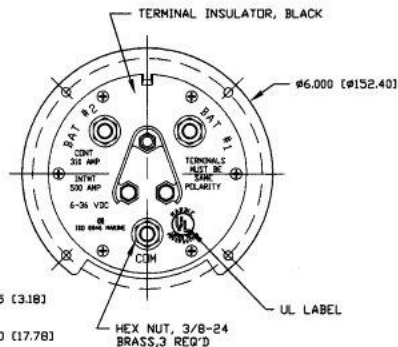
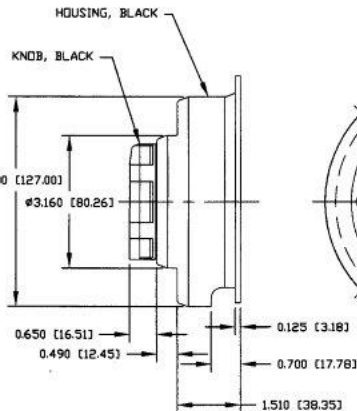
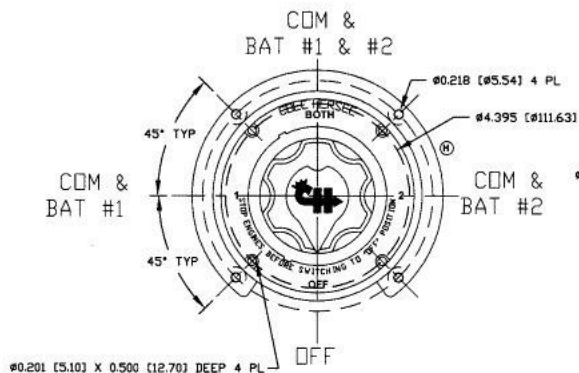
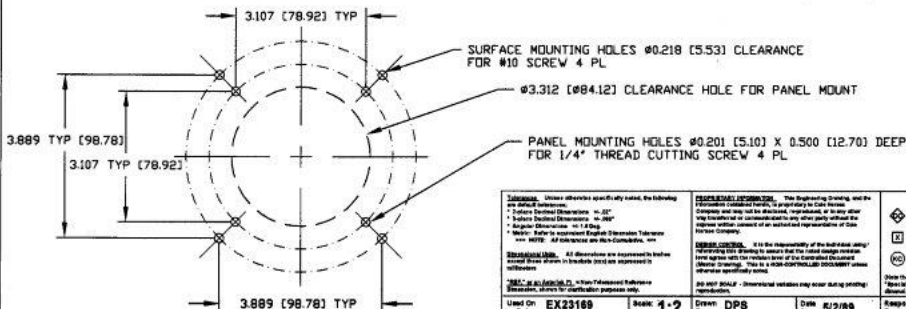


Revision Control Record

Rev.	Description of Change	ECN No.	Date
H	DELETE "BOSTON COLE HERSE"*	04224	6/28/04



MOUNTING INFORMATION



Substances: Unless otherwise specifically stated, the following are RoHS Substances:

- * Surface Finishes (Dimensions in .02")
- * Surface Finishes (Dimensions in .063")
- * Angular Dimensions in 1.8 Deg
- * Metric: Refer to equivalent English Dimensional Tolerances from ISO: All tolerances are inch-unless noted.

Dimensional Notes: All dimensions are expressed in inches unless shown in brackets (and are expressed in millimeters).

*MIL-STD-883C, Method 2000 Reference Dimensions, apply for distribution purposes only.

Used On EX23169

Scale: 1:2

EXCEPTIONAL INFORMATION: This Engineering Drawing and the Information Contained Herein, is proprietary to Cole Herse Company and may not be disclosed, retransmitted, or in any way transmitted or communicated to any other party without the express written consent of an authorized representative of Cole Herse Company.

APPROVAL: It is the responsibility of the customer using information contained in this drawing to ensure that the stated design meets their needs and that the customer is aware of the limitations of the information contained in this drawing. This is a non-contractual document unless otherwise specifically noted.

NOTES: Dimensional variations may occur during printing.

Drawn By: DPS

Check By: DPS

Date Drawn: 6/2/09

Special Characteristics:

- ⊕ Critical Characteristics, relating to safety under Regulatory Compliance
 - ⊗ Mandated Characteristics, relating to Process Control
 - ⊙ Control Characteristics, relating to Form, Fit, Function as defined by Cole Herse Company under the Customer
- Note that the Modification of any Characteristics as being "Basic" does not alter the requirement that ALL specified dimensions & tolerances must be met.
- Responsible Engineer

Cole Herse Co.

20 Old Colony Ave., South Boston, MA, 02127
Phone: 617-558-9100 Web: www.coleherse.com

Description:

SW BAT SELECTOR

Drawing/ Part No.:

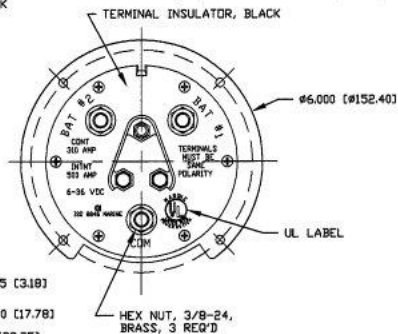
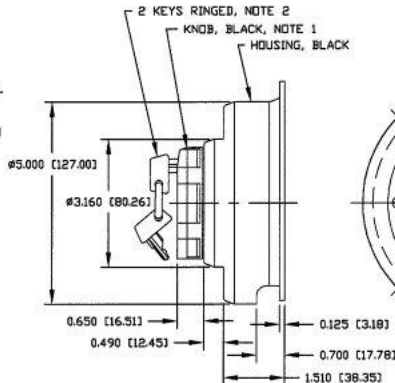
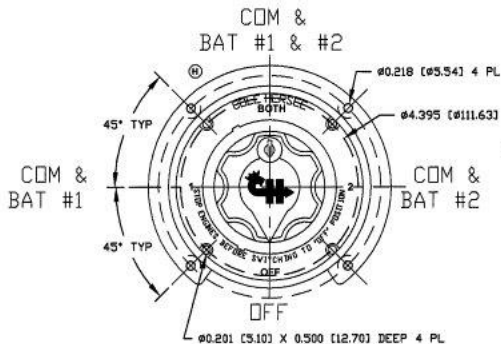
M-750

H

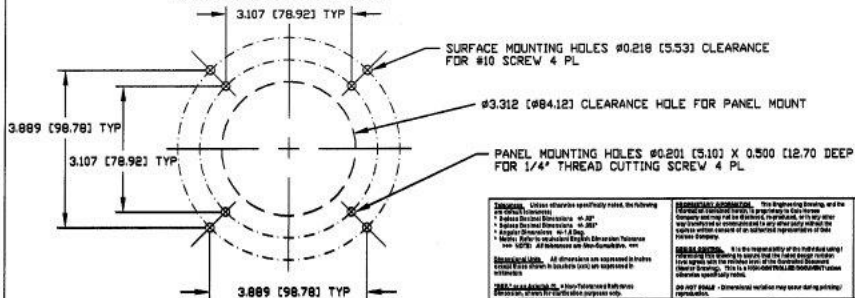
Pg. 1 of 1

Revision Control Record

Rev.	Description of Change	ECN No.	Date
H	DELETE "BOSTON USA"	0424	08/25/04
J	BOM CHANGE	07917	01/28/07



MOUNTING INFORMATION



NOTES:

1. KNOB LOCKED IN "OFF" POSITION ONLY
2. KEY REMOVEABLE WITH KNOB LOCKED OR UNLOCKED

Dimensions: Unless otherwise specified, the following apply:
 • Finish: Standard
 • Surface Finish: Standard
 • Material: Standard
 • Tolerances: Standard
 • Units: Standard
 • All dimensions are in inches unless otherwise specified.

Material: Unless otherwise specified, the following apply:
 • Finish: Standard
 • Surface Finish: Standard
 • Material: Standard
 • Tolerances: Standard
 • Units: Standard
 • All dimensions are in inches unless otherwise specified.

REVISIONS: This Engineering Drawing, and the associated drawings, are the property of Cole Hersee Company and may not be drawn, reprinted, or in any way used or reproduced or incorporated in any other work without the express written consent of an authorized representative of the Company.
REVISIONS: It is the responsibility of the individual using this drawing to ensure that the latest design revision is used. This is a non-conforming drawing. It is the responsibility of the individual using this drawing to ensure that the latest design revision is used.

DATE: 08/08/09
BY: DPS
CHKD BY: [Signature]
DATE: 08/08/09

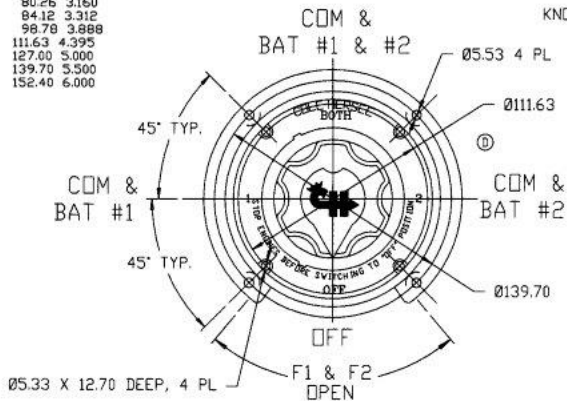
Special Instructions:
 • Critical dimensions, relating to safety under Regulatory Compliance.
 • Significant characteristics relating to Process Control (SPC).
 • Control Dimension relating to Form - P1 - Feature as defined by Cole Hersee Company or its Customer.
 Note that the identification of any characteristic as being "critical" does not alter the requirement that ALL specified dimensions & tolerances must be met.

Cole Hersee Co.
 30 Old Colony Ave., South Boston, MA, 02187
 Phone: 617-359-8100 Web: www.colehersee.com

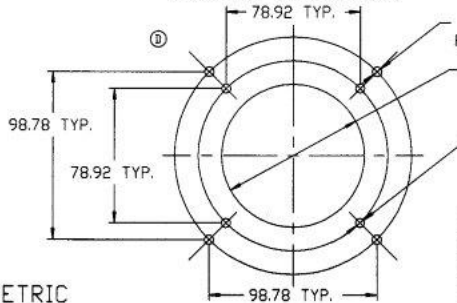
SW BAT SELECTOR WITH LOCK

REVISED PART NO. M-751

MM	IN
3.17	0.125
5.10	0.201
5.53	0.218
12.45	0.490
12.70	0.500
16.51	0.650
17.78	0.700
38.35	1.510
78.92	3.107
80.26	3.160
84.12	3.312
98.78	3.888
111.63	4.395
127.00	5.000
139.70	5.500
152.40	6.000



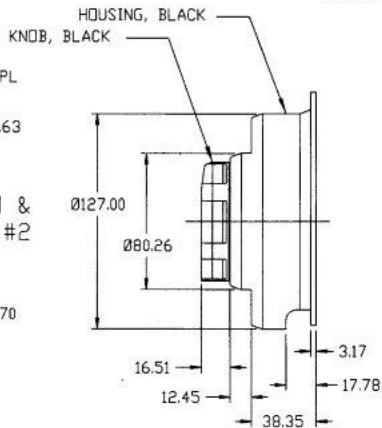
MOUNTING INFORMATION



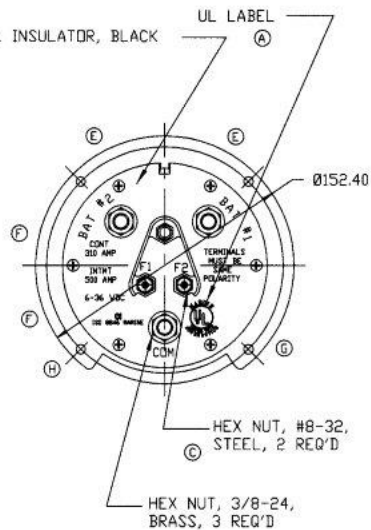
SURFACE MOUNTING HOLES 05.53 CLEARANCE FOR #10 SCREW 4 PL

CLEARANCE HOLE FOR PANEL MOUNT 084.12

PANEL MOUNTING HOLES 05.10 X 12.70 DEEP FOR 1/4" THREAD CUTTING SCREW 4PL



TERMINAL INSULATOR, BLACK



Confidential Property of Cole Hersee

DO NOT SCALE

LET.	WAS	DATE	BY	LET.	WAS	DATE	BY	MATERIAL	DRAWN	CHK	APV2	SCALE	W750 WITH FIELD CKT	DATE DRAWN
J	CON #4884	7/7/88	SPS	D	CON #4788	ADDED MOUNTING INFO	4/8/90	NO				1:2	EX23169B	5/5/89
H	CON #4788	12/28/87	JAP	C	DRWS. CON #4820		1/5/78	NO	FINISH					
G	CON #4820	8/5/80	NO	B	CON #4788		11/18/88	JP						DATE BLUEPRINTED
F	CON #4844	6/1/80	NO	A	RELOCATED UL LABEL CON #4820		9/28/88	SPS						
E	CON #4878	7/28/89	NO		ISSUED									



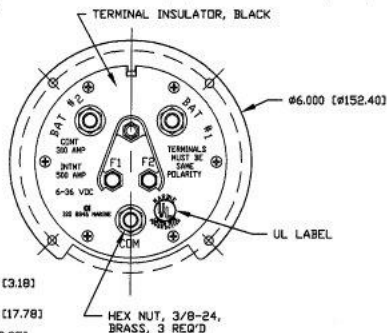
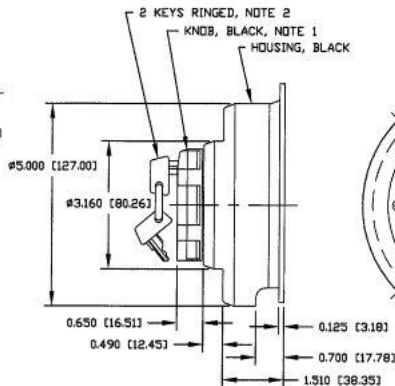
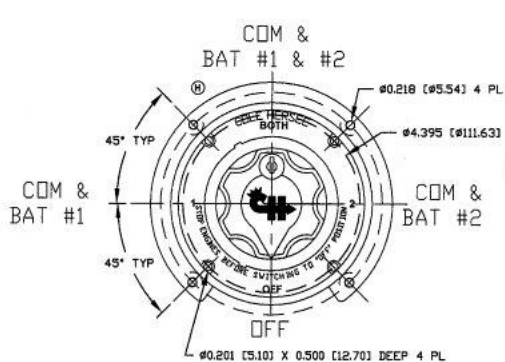
Cole Hersee Co.
80 OLD COLONY AVENUE, BOSTON, MA, U.S.A. 02127
SW BAT SELECTOR WITH
FIELD CIRCUIT

M-752 (B)

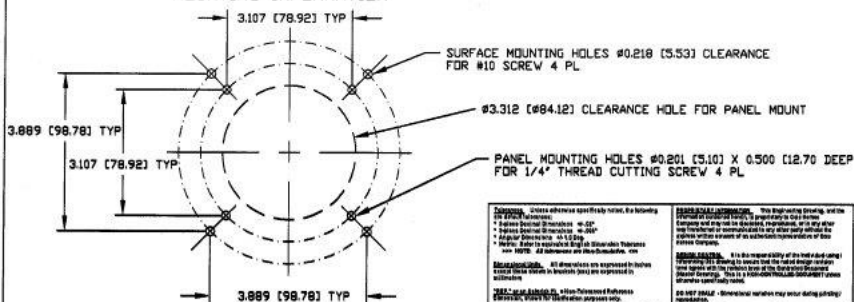
METRIC

TOLERANCES
DECIMAL ±
ANGLE ±

Revision Control Record			
Rev.	Description of Change	ECN No.	Date
K	BOM CHANGE	07017	01/28/07



MOUNTING INFORMATION



NOTES

1. KNOB LOCKED IN 'OFF' POSITION ONLY
2. KEY REMOVABLE WITH KNOB LOCKED OR UNLOCKED

Dimensions

Unless otherwise specified, notes, to include:
 (1) Finish: Aluminum
 (2) Surface Treatment: Anodize
 (3) Tolerances: ±0.004
 (4) Angular Dimensions: ±0.15 Deg
 (5) Holes: Refer to applicable ASME Y14.5 Standards
 (6) Holes: All dimensions are to be controlled.

ASSEMBLY: All dimensions are expressed in inches unless otherwise indicated in brackets (mm) are expressed in millimeters.

REF: See applicable ASME Y14.5 Standards for Dimensional Tolerances and Surface Finish.

GENERAL INFORMATION: This drawing is for informational purposes only. It is not intended for manufacturing. It is not intended for use in any other way without the express written consent of the manufacturer. This is a controlled document and its use is restricted.

ASSEMBLY: It is the responsibility of the manufacturer to ensure that the assembly is performed in accordance with the drawing and that the assembly is controlled.

DO NOT SCALE: Dimensional values may occur during assembly.

Assembly Instructions

1. Refer to the drawing for the correct assembly sequence.
 2. Refer to the drawing for the correct assembly sequence.
 3. Refer to the drawing for the correct assembly sequence.

CAUTION: Do not use any force to install the assembly. Excessive force may damage the assembly.

NOTE: Do not use any force to install the assembly. Excessive force may damage the assembly.

Cole Hersee Co.
 80 Old Colony Ave., South Boston, MA 02127
 Phone: 617-262-5100 Web: www.colehersee.com

SW BAT SELECTOR W/FIELD CIRCUIT & LOCK

Drawings/Part No. **M-753**

Used On: M750 W/LOCK or Rev. 82231850

Revis: **1:2**

Drawn By: **DPB**

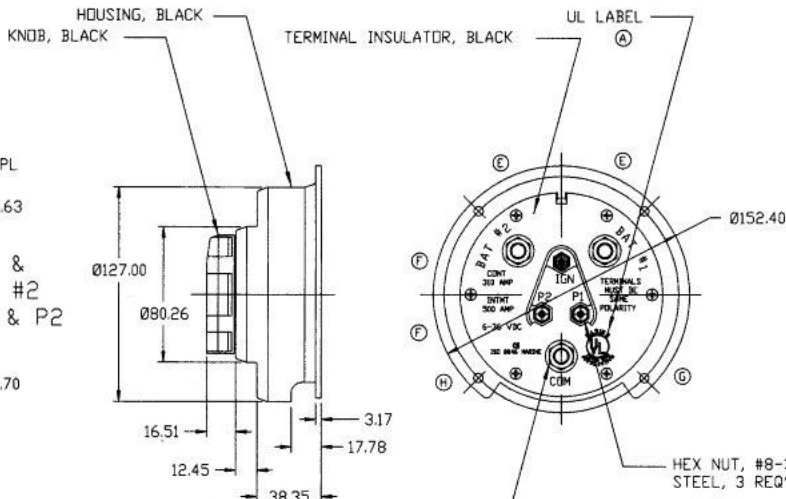
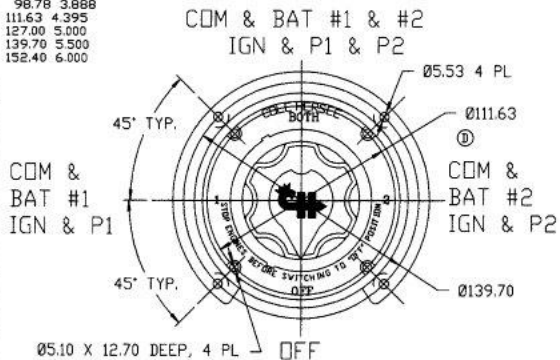
Date: **11/18/06**

Prepared By:

Pg. 1 of 1

K

MM IN
 3.17 0.125
 5.10 0.201
 5.53 0.218
 12.45 0.490
 12.70 0.500
 16.51 0.650
 17.78 0.700
 38.35 1.510
 78.92 3.107
 80.26 3.160
 84.12 3.312
 98.78 3.888
 111.63 4.395
 127.00 5.000
 139.70 5.500
 152.40 6.000



SURFACE MOUNTING HOLES Ø5.53 CLEARANCE FOR #10 SCREW 4 PL
 CLEARANCE HOLE FOR PANEL MOUNT Ø84.12
 PANEL MOUNTING HOLES Ø5.10 X 12.70 DEEP FOR 1/4" THREAD CUTTING SCREW 4PL

Confidential Property of Cole Hersee

DO NOT SCALE

LET.	VAR	DATE	BY	LET.	VAR	DATE	BY	MATERIAL	DRAWN	CHK	APVD	SCALE	DATE DRAWN
J	EDN INSH	7/7/98	DN	D	EDN 24388 ASSED MOUNTING INFL	4/24/98	ND		DPS			N750 WITH PILOT LIGHT 12 CKTS/ EX23169D	5/9/89
H	EDN 24388 ASSED CE IMPACT	12/29/97	JAP	C	BRASS EDN INSH	1/9/98	ND	FRESH					DATE BLUEPRINTED
G	EDN 24388 ASSED UL LABEL	8/5/98	NO	B	EDN INSH	11/15/99	JF						
F	EDN 24388	8/1/98	NO	A	RELIEVED IN LAND EDN INSH	9/18/99	WFS	TOLERANCES DECIMAL ± ANGLE ±					
E	EDN 24388 RELIEVED STAR LOCATIONS	7/9/98	ND		ISSUED								



Cole Hersee Co.
 20 OLD COLONY AVENUE, BOSTON, MA, U.S.A. 02127
 SW BAT SELECTOR WITH
 PILOT LIGHT CIRCUIT