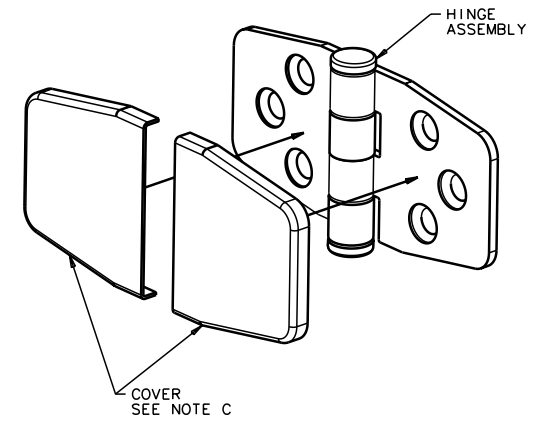
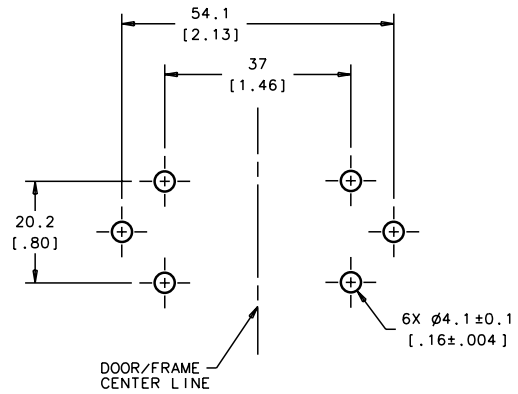
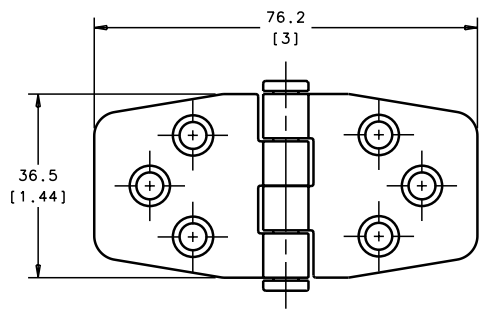
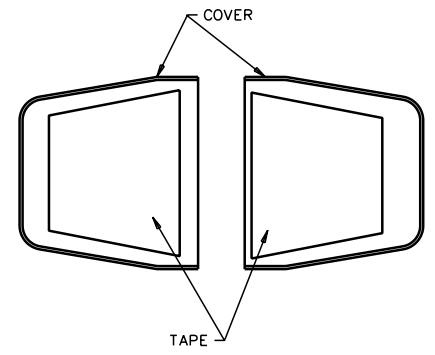
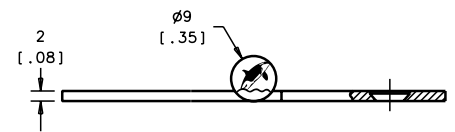


REVISION HISTORY			
REV	DATE	BY	DESCRIPTION



**PANEL PREPARATION**



- NOTES:
- A. MATERIAL AND FINISH:  
LEAF AND COVER - 316 STAINLESS STEEL, POLISHED  
HINGE PIN - 304 STAINLESS STEEL, POLISHED
  - B. DESIGNED TO ACCEPT M4 OR No.8 SCREW OR EQUIVALENT. (NOT SUPPLIED)
  - C. SECURE COVERS USING ATTACHED ADHESIVE TAPE.

COVERED HINGE ITEM	N6-5A-4VC8-24 SOUTHCO PART NUMBER	SEE NOTE A MATERIAL	SEE NOTE A FINISH
THIRD ANGLE PROJECTION			
MILLIMETERS [ IN ]			
ALL DIMENSIONS WITHOUT TOLERANCES ARE FOR REFERENCE ONLY.		TITLE COVERED STAMPED HINGE	
PROPRIETARY ITEM EXCEPT FOR USES EXPRESSLY GRANTED IN WRITING, INFORMATION DISCLOSED HEREON IS CONFIDENTIAL AND ALL RIGHTS, PATENT AND OTHERWISE, ARE RESERVED BY SOUTHCO, INC.	PER ASME Y14.5M-1994	SIZE SYSTEM A3 IDEAS	DWG NO. J-N6-5A-4VC8
DRAWN BY RLR		DATE 14DEC2007	SCALE 1:1 SHEET 1 OF 1