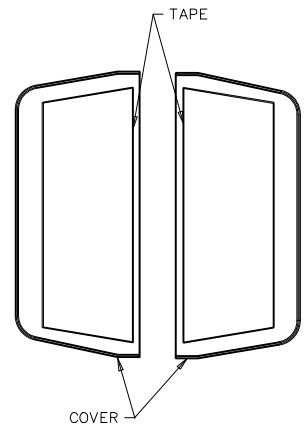
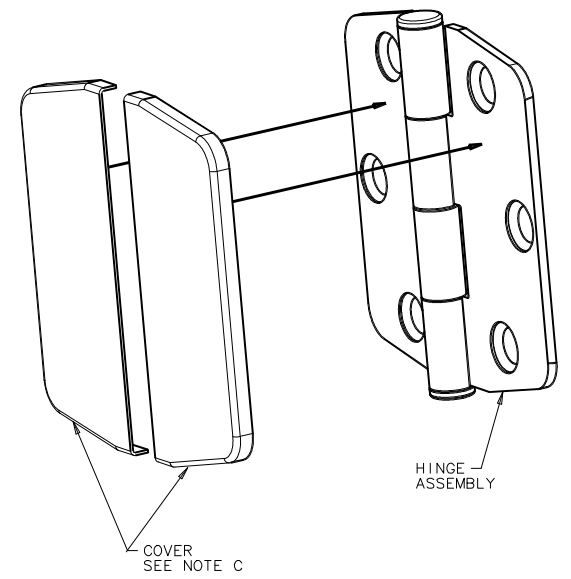
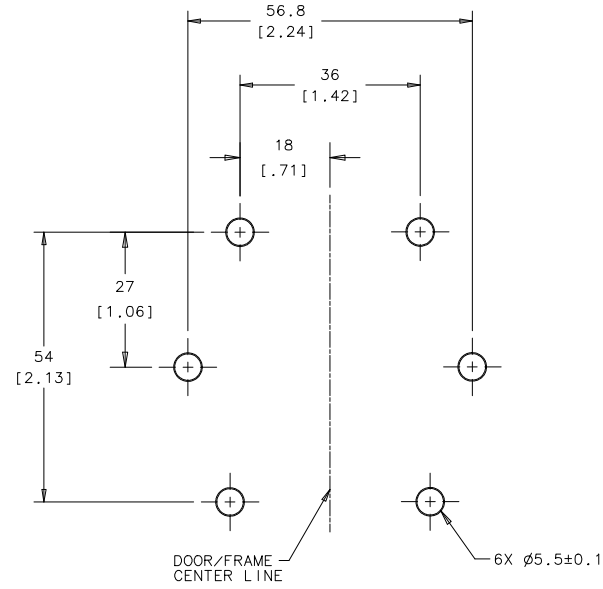
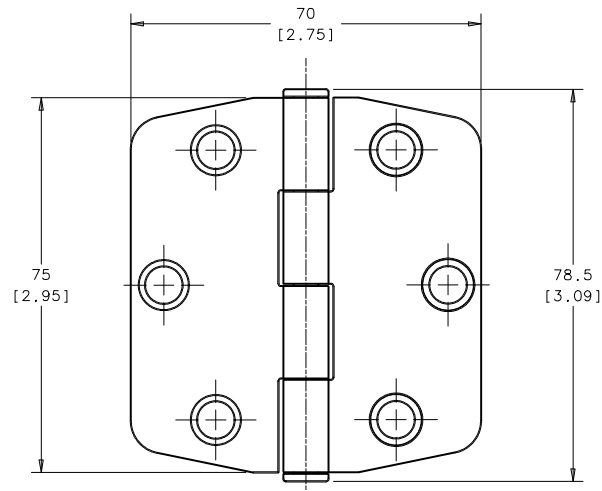
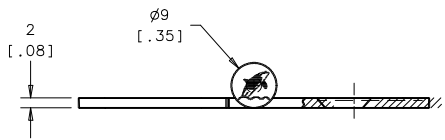


REVISION HISTORY			
REV	DATE	BY	DESCRIPTION
A	22OCT2012	CMS/BGL	PRN: P2012-1427



PANEL PREPARATION



- NOTES:
- A. MATERIAL AND FINISH:
 OUTER AND INNER LEAF, COVER - 316 STAINLESS STEEL, POLISHED.
 PIN - 304 STAINLESS STEEL
 - B. DESIGNED TO ACCEPT M5 OR No. 10 FLATHEAD SCREW OR EQUIVALENT. (NOT SUPPLIED).
 - C. SECURE COVERS USING ATTACHED ADHESIVE TAPE.

HINGE ITEM	N6-5A-8VC7-24 PART NUMBER	SEE NOTE A MATERIAL	SEE NOTE A FINISH
THIRD ANGLE PROJECTION			
MILLIMETERS [IN]			
TOLERANCES UNLESS OTHERWISE NOTED		TITLE	
ALL DIMENSIONS WITHOUT TOLERANCES ARE FOR REFERENCE ONLY.		COVERED STAMPED HINGE	
PROPRIETARY ITEM	PER ASME Y14.5M-1994	SIZE SYSTEM A3 IDEAS	DWG NO. J-N6-5A-8VC7
EXCEPT FOR USES EXPRESSLY GRANTED IN WRITING, INFORMATION DISCLOSED HEREON IS CONFIDENTIAL AND ALL RIGHTS, PATENT AND OTHERWISE, ARE RESERVED BY SOUTHCO, INC.		DRAWN BY RLR	DATE 26APR2007
		SCALE 1:1	SHEET 1 OF 1

