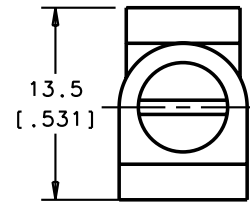
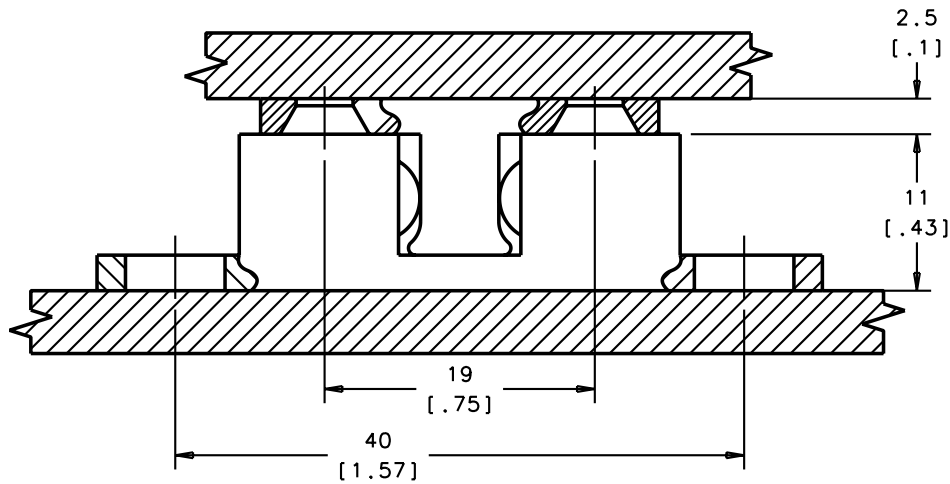
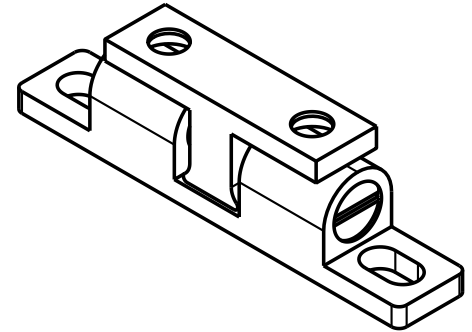
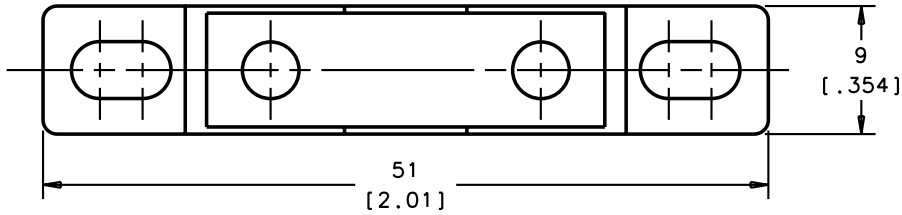


PROPRIETARY ITEM
 EXCEPT FOR USES EXPRESSLY GRANTED
 IN WRITING, INFORMATION DISCLOSED
 HEREON IS CONFIDENTIAL AND ALL
 RIGHTS, PATENT AND OTHERWISE,
 ARE RESERVED BY SOUTHCO, INC.

REVISION HISTORY				
REV	DATE	DRAWN	CHECKED	DESCRIPTION



NOTES:

A. MATERIAL AND FINISH:

BASE, STRIKER - CF-8M STAINLESS STEEL (NOMINAL EQUIVALENT OF 316 STAINLESS STEEL), ELECTROPLISHED

STEEL BALL, SPRING, SET SCREW - 304 STAINLESS STEEL, PASSIVATED

ASSEMBLY	M5-10-271-8	SEE NOTE A	SEE NOTE A	
ITEM	PART NUMBER	MATERIAL	FINISH	
THIRD ANGLE PROJECTION		 CONNECT · CREATE · INNOVATE		
ALL DIMENSIONS WITHOUT TOLERANCES ARE FOR REFERENCE ONLY.				
MILLIMETERS [IN]		SIZE A4	SYSTEM I-DEAS	DWG NO. J-M5-10-271-8
DRWN/CHKD VSV/VGV	DATE 08DEC2007	SCALE 2:1	SHEET 1 OF 1	