

Cat. Nos. 0540, 0541, 0542, 0543, 0580, 0581,
0582, 0583, 0590 & 0591 Series Combination Gas/Vent Fills

Installation and Operation Instructions

PLEASE READ ALL INSTRUCTIONS BEFORE PROCEEDING

1. Select mounting location:

- In accordance with A.B.Y.C., U.S. Coast Guard and E.P.A. requirements and regulations.
- Surface must be flat and provide adequate clearance to remove the cap.
- Allow for adequate clearance under fill for routing fill and vent hose, which must be selected and installed in accordance with A.B.Y.C. requirements and U.S. Coast Guard Safety Standards for Small Boat Fuel Systems (33 CFR 183).

- CONSIDER THE LIMITATIONS OF A MARINE FUEL VENT:

- A) DO NOT LOCATE ON A SURFACE THAT CAN BECOME SUBSTANTIALLY SUBMERGED OR FLOODED, OTHERWISE WATER CAN BE DRAWN INTO THE SYSTEM DURING VENT OPERATION. AN ACCESSORY MOUNTING RING (PERKO CAT. NO. 0540RNGBLK) IS AVAILABLE TO RAISE THE FILL/VENT ABOVE THE MOUNTING SURFACE.
- B) ACCOMODATE FUGITIVE LIQUID FUEL EMISSIONS THAT RESULT FROM IN-TANK FUEL SURGES.

2. Attach mounting template to selected mounting surface and orient for desired position of fill/vent connections and for ease of insertion of the fuel nozzle into the fill neck. Drill where indicated. Be sure to drill the 3/4 inch hole before drilling the 2-1/16 inch hole.

NOTE: The 2-1/16" dimension of the larger hole is sized to provide mounting surface support to the fill body. DO NOT use larger size cutter or drill.

- 3. Mount fill using #8 pan head screws. Caulk if necessary.
- 4. Attach and clamp 1-1/2 inch fill hose and 5/8 inch vent hose in accordance with the above referenced standards.
- 5. The vent system requires that the surge valve feels loose in order to operate properly. Remove two screws under cap to access flame arrestor screen for cleaning.

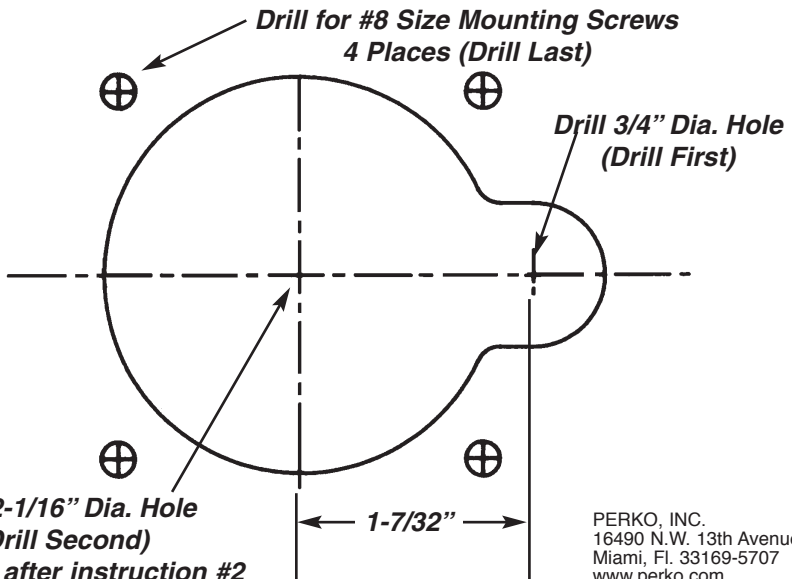
NOTE: Plastic fuel fills should NOT be grounded.

- | | | |
|--|--|--|
| (1). American Boat & Yacht Council, Inc.
3069 Soloman's Island Rd.
Edgewater, Maryland 21307 | (2). U.S. Coast Guard
Washington, D.C. 20593
(or your local C.G. office) | (3). E.P.A.
401 "M" Street S.W.
Washington, D.C. 20460 |
|--|--|--|

05/16
0540INS1

MOUNTING TEMPLATE

This is a
3/4" circle in
order to scale
internet
printed
templates



See Note after instruction #2

PERKO, INC.
16490 N.W. 13th Avenue
Miami, FL 33169-5707
www.perko.com