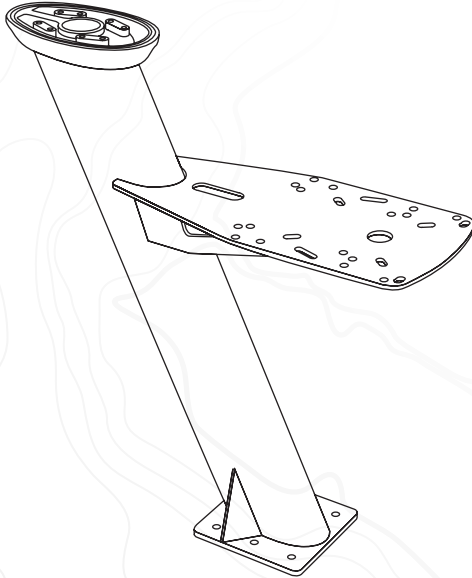


SEAVIEW

ELEVATE YOUR ELECTRONICS



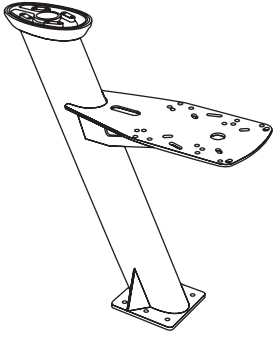
INSTALLATION INSTRUCTIONS

For Seaview Modular Dual Mounts:

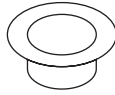
PMA-DM124-M2

Refer to website for most up to date instructions and videos.

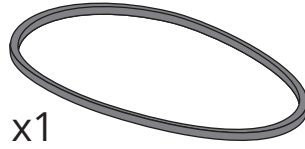
PARTS INCLUDED



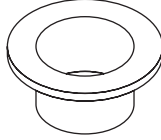
x1



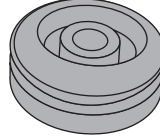
x4



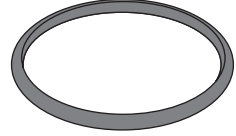
x1



x10



x1



x1



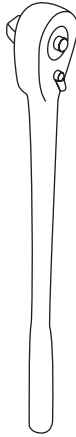
TOOLS NEEDED



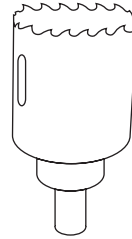
3/8" = 9mm



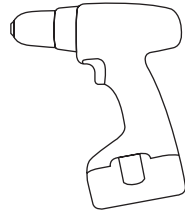
3/8" = 9mm



1/2" = 13mm



2" = 50mm



x6

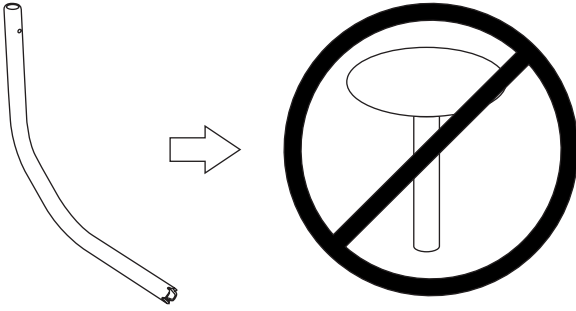


x6



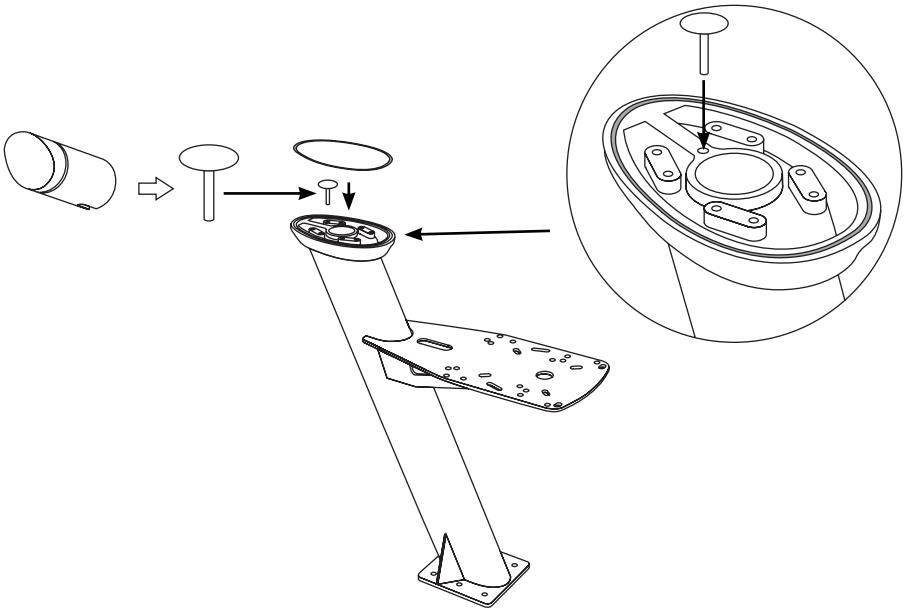
Sudbury Elastomeric Marine Sealant is recommended. To purchase call 800-655-7922 or visit www.seaviewglobal.com

1 If you are using a Seaview Light Bar with your Dual Mount you do not use the pin.



2 If you are not using a Seaview Light Bar then insert the pin as shown below. Insert the white Light Bar Plug and o-ring into the Light Bar hole in the back of the mount. Make sure it clips onto the pin.

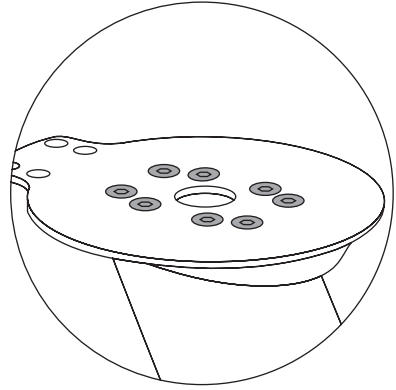
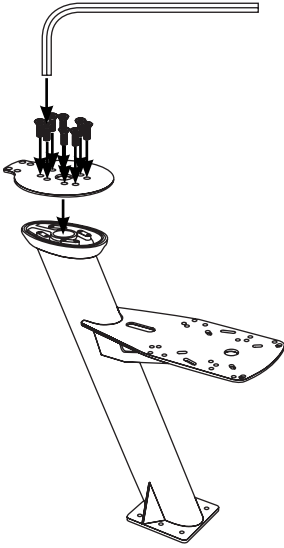
Place the rubber gasket onto the top of the Dual Mount as shown.



3

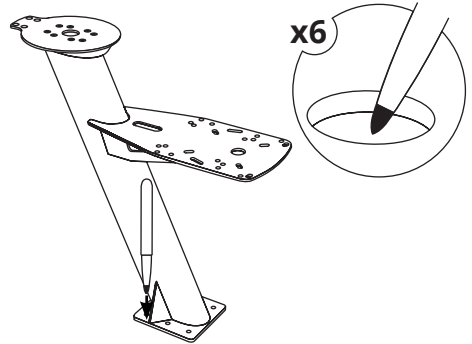
Mount the Seaview Modular Top Plate to the Dual Mount with the eight bolts that come with the Modular Top Plate.

Then insert the rubber cable grommet into the Modular Top Plate. Refer to the provided Seaview Top Plate installation instructions for more information.



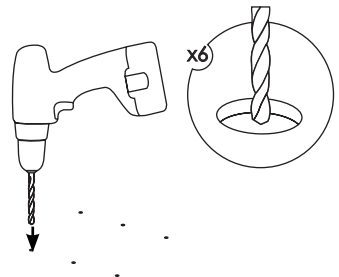
4

Place the Dual Mount onto the mounting surface and mark the six bolt holes.



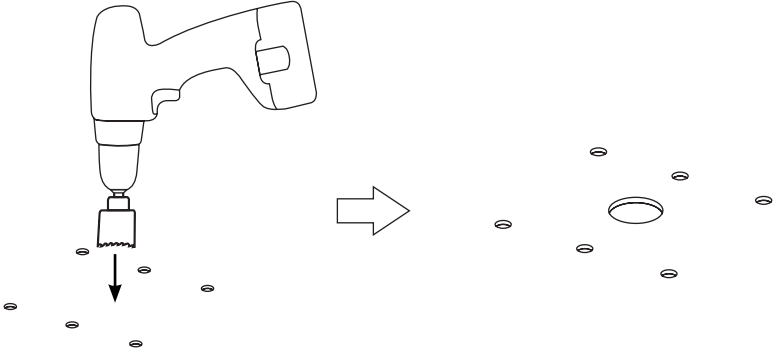
5

Drill the six bolt holes.



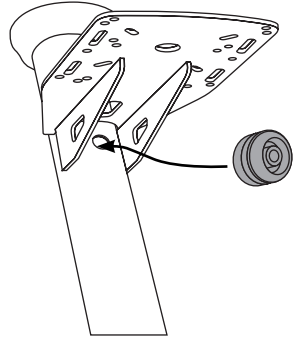
6

Using a hole saw, drill a hole to run the cabling through.



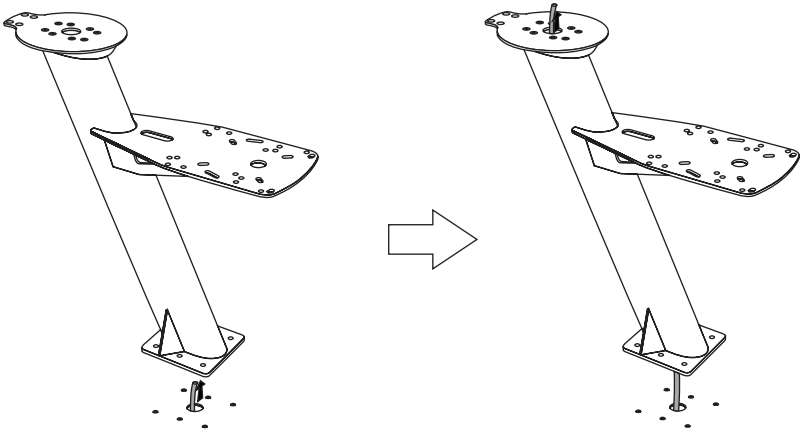
7

Insert the rubber cable grommet under the lower platform as shown.



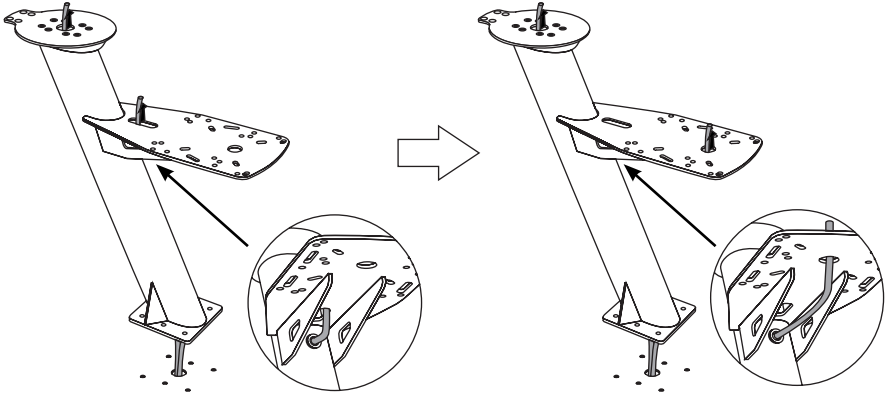
8

Route all cables through the Dual Mount.



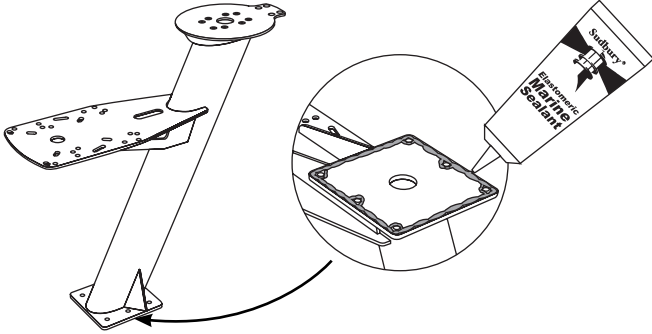
9

Route the additional cables through the lower platform.



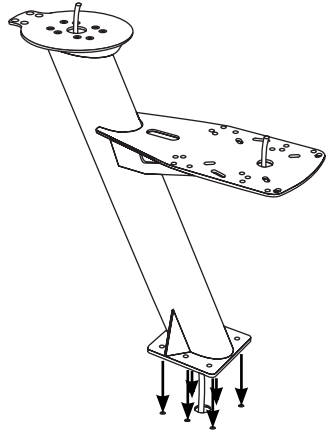
10

Apply to marine adhesive sealant to the base of the mount.



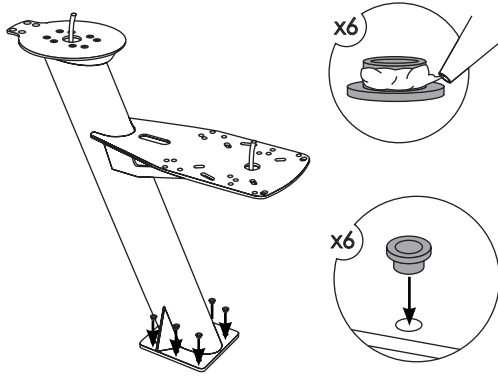
11

Place the Dual Mount onto the mounting surface.



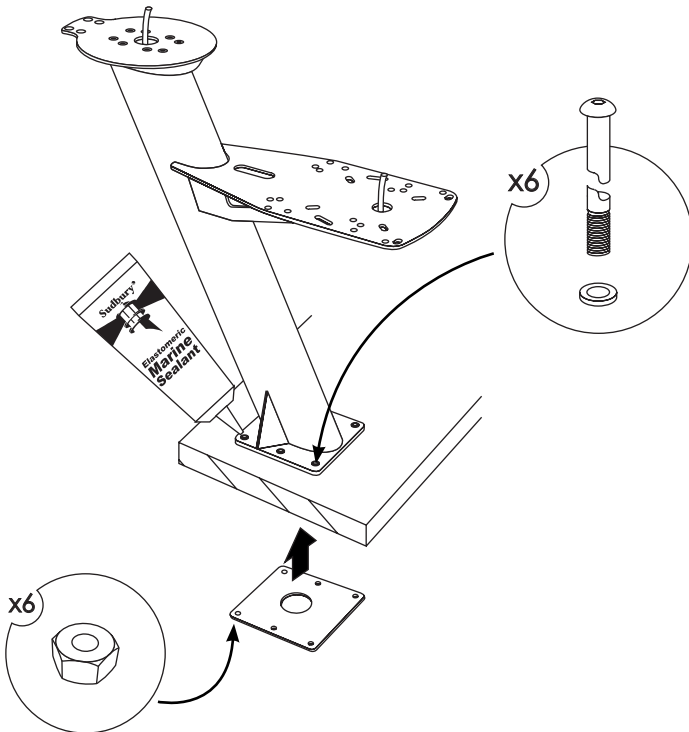
12

Apply marine adhesive sealant to the six nylon shoulder washers and insert them into the base.

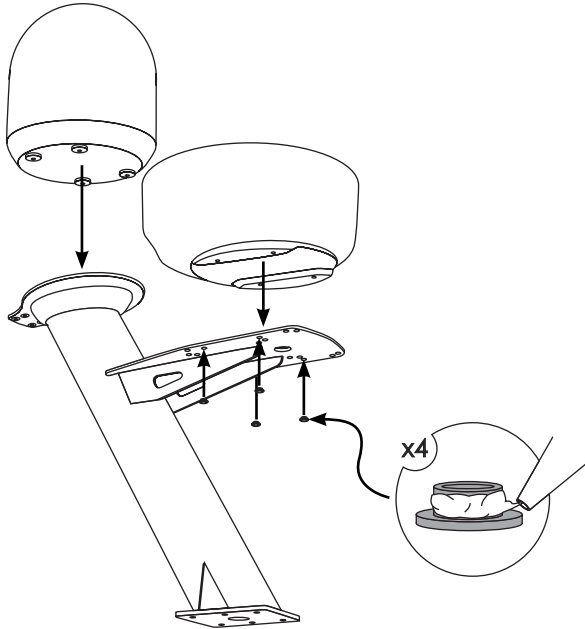


13

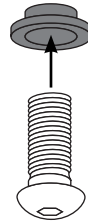
Use the provided backing plate and your own hardware to secure the Dual Mount. Apply marine adhesive sealant to all bolt holes.



14 Attach the marine electronics to the Dual Mount. Use the remaining four nylon shoulder washers with marine adhesive sealant when securing the closed dome radar.



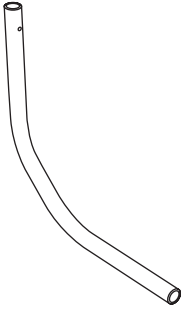
15 Use the hardware provided with your electronics to secure.



OPTIONAL ACCESSORIES

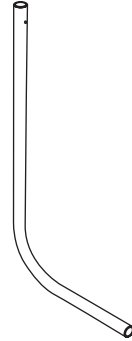
Call 800-655-7922 or visit www.seaviewglobal.com for available accessories.

LIGHT BARS



LTB-R

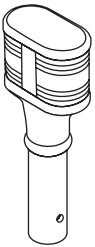
Fits closed dome radars.



LTB-S

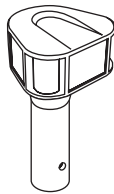
Fits 20" or smaller satdomes.

LIGHT BAR TOPS



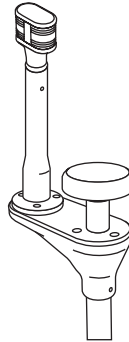
LTBP-1197

Perko Incandescent Light.



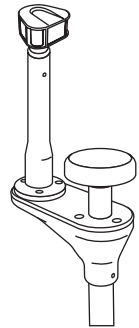
LTBA-7800

Attwood LED Light.



LTBU1A1197

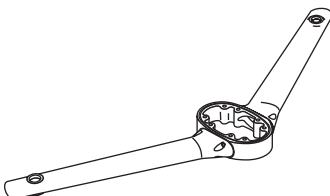
Light Bar Top with Perko Incandescent Light, can fit GPS.



LTBU1A800

Light Bar Top with Attwood LED Light, can fit GPS.

SPREADER KIT



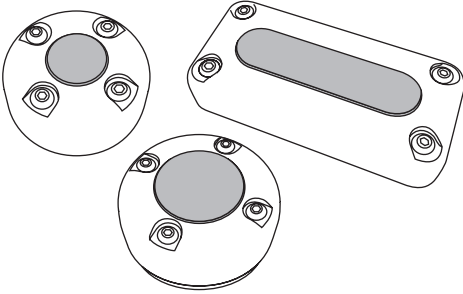
SP2-MOD

Allows user to mount GPS units or antennas on to a Seaview Modular Mount.

OPTIONAL ACCESSORIES

Call 800-655-7922 or visit www.seaviewglobal.com for available accessories.

CABLE GLANDS



Seaview Cable Glands provide waterproof cable routing.

THIS PAGE INTENTIONALLY LEFT BLANK.

The background of the entire page is a light gray topographic map with white contour lines. The lines are irregular and wavy, representing elevation changes across a landscape. The map is centered and covers the entire area.

SEAVIEW///
ELEVATE YOUR ELECTRONICS

SEAVIEW///

Tel: 800-655-7922
www.seaviewglobal.com

EUROPEAN OFFICE

Tel: +33 4 94 53 27 70
www.seaviewprogress.com

1-090618