

ULTREX™

BOW-MOUNT TROLLING MOTOR

Installation Instructions

INTRODUCTION

THANK YOU

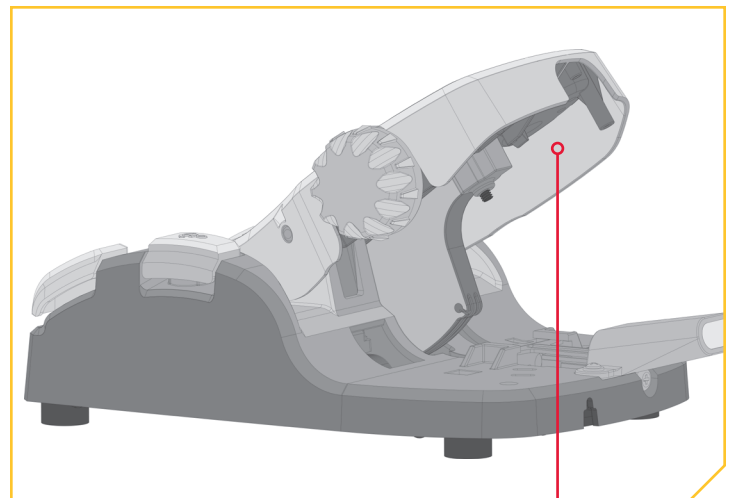
Thank you for choosing Minn Kota. We believe that you should spend more time fishing and less time positioning your boat. That's why we build the smartest, toughest, most intuitive trolling motors on the water. Every aspect of a Minn Kota trolling motor is thought out and rethought until it's good enough to bear our name. Countless hours of research and testing provide you the Minn Kota advantage that can truly take you "Anywhere. Anytime." We don't believe in shortcuts. We are Minn Kota. And we are never done helping you catch more fish.

REGISTRATION

Remember to keep your receipt and immediately register your trolling motor. A registration card is included with your motor or you can complete registration on our website at minnkotamotors.com.

SERIAL NUMBER

Your Minn Kota 11-character serial number is very important. It helps to determine the specific model and year of manufacture. When contacting Consumer Service or registering your product, you will need to know your product's serial number. We recommend that you write the serial number down so that you have it available for future reference.



NOTICE: The serial number on your Ultrix is located under the foot pedal.

MOTOR INFORMATION (For Consumer Reference Only)

Model: _____

Serial Number: _____

Purchase Date: _____

Store Where Purchased: _____

NOTICE: Do not return your Minn Kota motor to your retailer. Your retailer is not authorized to repair or replace this unit. You may obtain service by: calling Minn Kota at (800) 227-6433; returning your motor to the Minn Kota Factory Service Center; sending or taking your motor to any Minn Kota authorized service center. A list of authorized service centers is available on our website, at minnkotamotors.com. Please include proof of purchase, serial number and purchase date for warranty service with any of the above options.

SAFETY CONSIDERATIONS

Please thoroughly read the user manual. Follow all instructions and heed all safety and cautionary notices. Use of this motor is only permitted for persons that have read and understood these user instructions. Minors may use this motor only under adult supervision.

WARNING

You are responsible for the safe and prudent operation of your vessel. We have designed your Minn Kota product to be an accurate and reliable tool that will enhance boat operation and improve your ability to catch fish. This product does not relieve you from the responsibility for safe operation of your boat. You must avoid hazards to navigation and always maintain a permanent watch so you can respond to situations as they develop. You must always be prepared to regain manual control of your boat. Learn to operate your Minn Kota product in an area free from hazards and obstacles.

WARNING

Never run the motor out of the water, as this may result in injuries from the rotating propeller. The motor should be disconnected from the power source when it is not in use or is off the water. When connecting the power-supply cables of the motor to the battery, ensure that they are not kinked or subject to chafe and route them in such a way that persons cannot trip over them. Before using the motor make sure that the insulation of the power cables is not damaged. Disregarding these safety precautions may result in electric shorts of battery(s) and/or motor. Always disconnect motor from battery(s) before cleaning or checking the propeller. Avoid submerging the complete motor as water may enter the lower unit through control head and shaft. If the motor is used while water is present in the lower unit considerable damage to the motor can occur. This damage will not be covered by warranty.

WARNING

Take care that neither you nor other persons approach the turning propeller too closely, neither with body parts nor with objects. The motor is powerful and may endanger or injure you or others. While the motor is running watch out for persons swimming and for floating objects. Persons who lack the ability to run the motor or whose reactions are impaired by alcohol, drugs, medication, or other substances are not permitted to use this motor. This motor is not suitable for use in strong currents. The constant noise pressure level of the motor during use is less than 70dB(A). The overall vibration level does not exceed 2,5 m/sec².

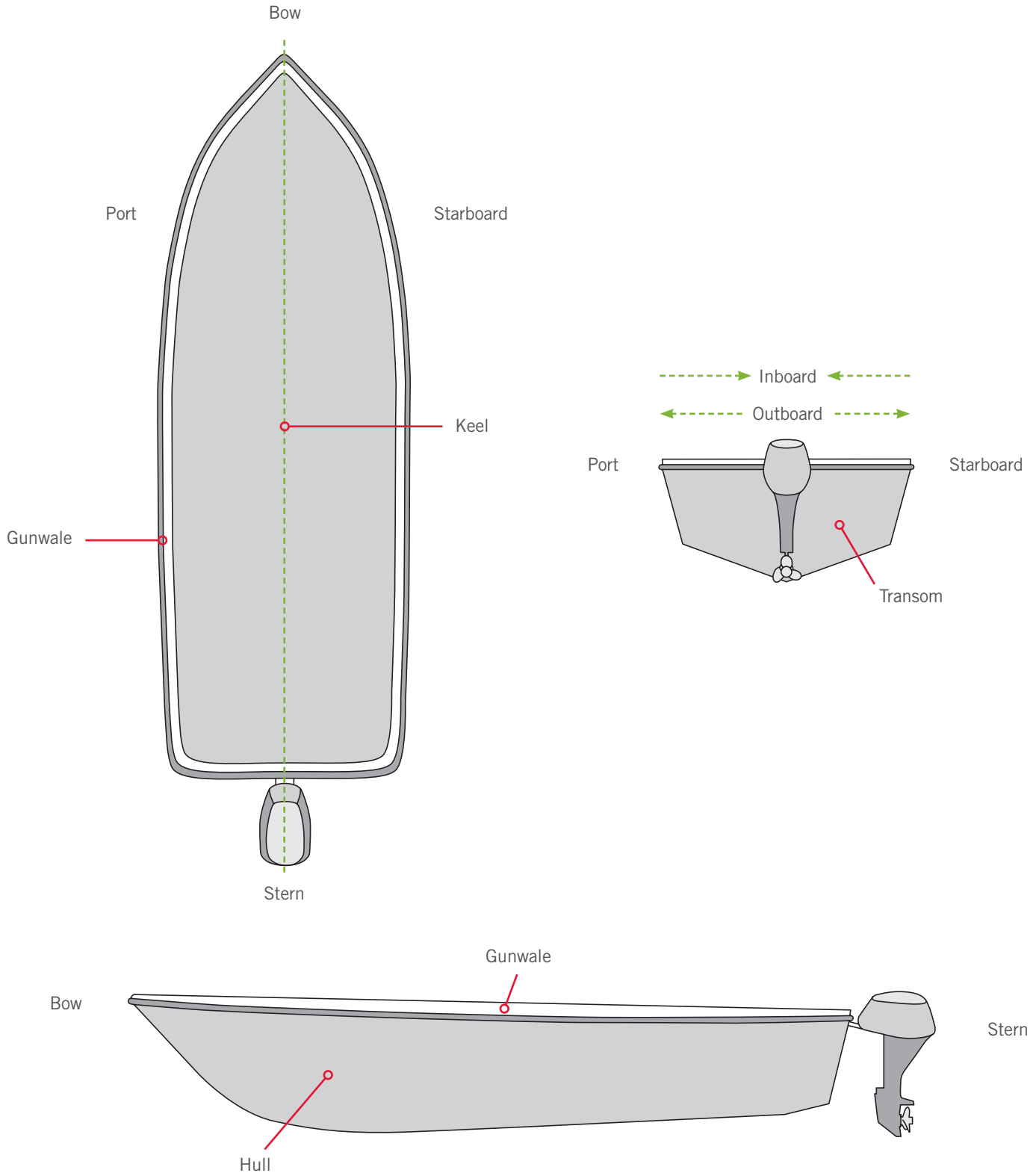
WARNING

When stowing or deploying the motor, keep fingers clear of all hinge and pivot points and all moving parts. In the event of unexpected operation, remove power leads from the battery.

WARNING

It is recommended to only use Johnson Outdoors approved accessories with your Minn Kota motor. Using non-approved accessories including to mount or control your motor may cause damage, unexpected motor operation and injury. Be sure to use the product and approved accessories, including remotes, safely and in the manner directed to avoid accidental or unexpected motor operation. Keep all factory installed parts in place including motor and accessory covers, enclosures and guards.

KNOW YOUR BOAT



INSTALLATION

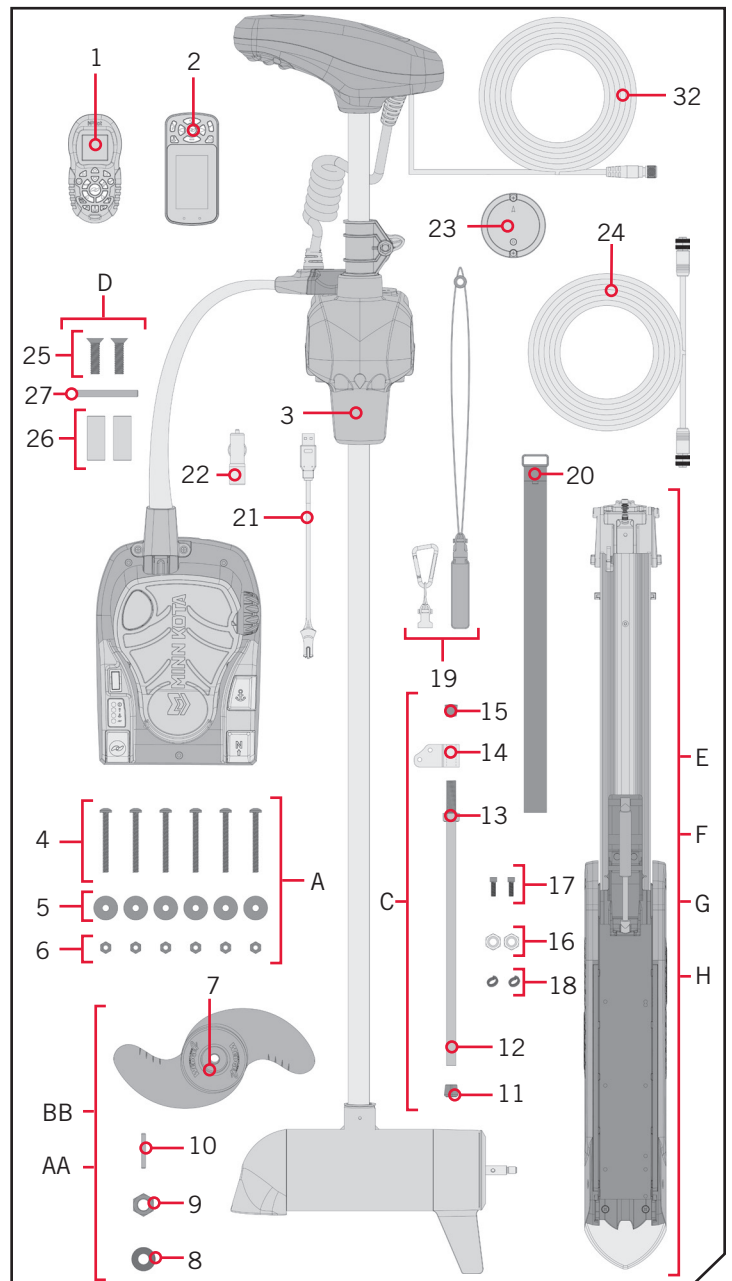
INSTALLING THE ULTREX

Your new Ultrex comes with everything you'll need to directly install it to the boat. This motor can be directly mounted to the boat or coupled with a Minn Kota quick release bracket for ease of mounting and removal. For installation with a quick release bracket, refer to the installation instructions provided with the bracket. For compatible quick release mounting bracket, please visit minnkotamotors.com. To install the motor directly to the boat, please follow the instructions provided in this manual. Please review the parts list, mounting considerations and tools needed for installation prior to getting started. For additional product support and to locate your nearest dealer, please visit minnkotamotors.com.

INSTALLATION PARTS LIST

Item / Assembly	Part #	Description	Qty.
1	2994075 ♦	REMOTE ASSEMBLY, iPILOT	1
2	2994076 ●	REMOTE ASSEMBLY LINK TOUCHSCREEN	1
3	✱	MOTOR ASSEMBLY	1
A	2994887	INSTALLATION HARDWARE BAG ASSEMBLY	1
4	2263468	1/4 - 20 X 2.5" SS PFH SCREW	6
5	2263103	1/4 - 20 SS NYLOCK NUT	6
6	2261713	1/4 FLAT 18-8 SS WASHER	6
AA	1378132	80# THRUST PROP KIT	1
BB	1378160	112# THRUST PROP KIT	1
7	2341160	PROP-WW2 (4.5)W/ADP.RING	1
8	2091701	WASHER-PROP (LARGE)	1
9	2093101	NUT-PROP NYLOC,LG, MX101 3/8 SS	1
10	2262658	PIN-DRIVE 1" 3/16" S/S	1
C	2991925	BRACKET STABLZR ARM ASY (SUB)	1
11	22655100	BUMPER STABILIZER	1
12	2263624	STABILIZER ROD	1
13	2263107	NYLON HEX NUT 3/4 - 10 UNC	1
14	2281829	BRACKET	1
15	2260221	VINYL CAP	1
16	2223100	NUT 5/16-18 NYLOCS SS	2
17	2263422	BOLT 5/16-18 X 1" SS CAP SCREW	2
18	2281700	5/16 "ID X .457 OD HIGH COLLAR LOCK WASHER	2
19	2390800 ♦●	LANYARD, REMOTE W/ CARABEENER	1
20	2773806	STRAP, HOLD DOWN	1
21	2373241 ●	CABLE, USB REMOTE CHARGER LINK	1
22	2375901 ●	ADAPTER, USB DC POWER LINK	1
23	2996400 ♦●	HEADING SENSOR ASSEMBLY	1
24	490389-1 ●	CABLE, ETH (M12-M-M12-F, 30')	1
D	2994912	BAG ASSY, FORTREX MOUNT HDW	1
25	2283410	SCREW-1/4-20 X .500" PFH	2
26	2281710	SPACER, GAS SPRING, FORTREX	2
27	2282610	PIN, UPPER SHOCK	1
▲	2397106 ♦	MANUAL, QUICK REF, iPILOT 1.6	1
▲	2397107 ●	MANUAL-QUICK REF, iPILOT 3.0	1
▲	2997161	INSTALLATION GUIDE, ULTREX	1
E	2991642	MOUNT ASM ULTREX FW 112# 45"	1
F	2991640	MOUNT ASM ULTREX FW 80# 45"	1
G	2991641	MOUNT ASM ULTREX FW 80# 52/60"	1
H	2991643	MOUNT ASM ULTREX FW 112# 52/60"	1
32	2211415 +	CABLE-EXTENSION, PD/AP 110" *PRE-INSTALLED*	1
	490507-1 →	CABLE, ADP-INT MDI 14 M12-120" *PRE-INSTALLED*	1

- ▲ Not shown on Parts Diagram.
- ✱ This part is included in an assembly and cannot be ordered individually.
- ♦ Only available with models factory installed with i-Pilot.
- Only available with models factory installed with i-Pilot Link.
- + Only available with models factory installed with Universal Sonar.
- Only available with models factory installed with Built-in MEGA Down Imaging.



ASSEMBLY OF MOTOR TO MOUNT

MOUNTING CONSIDERATIONS

It is recommended that the motor be mounted as close to the keel or centerline of the boat as possible. Make sure the area under the mounting location is clear to drill holes and install nuts and washers. Make sure the motor rest is positioned far enough beyond the edge of the boat. The motor must not encounter any obstructions as it is lowered into the water or raised into the boat when stowed and deployed. Consider a quick release or adapter bracket with the installation of your motor. To view a list of accessories, please visit minnkotamotors.com.



View accessories available for your trolling motor at minnkotamotors.com.

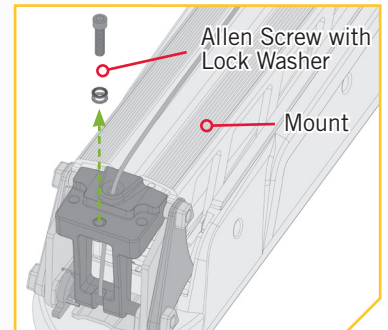
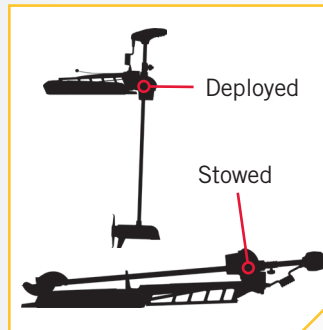
TOOLS AND RESOURCES REQUIRED

- #2 Phillips Screwdriver
- (2) #3 Phillips Screwdriver
- 1/4" Allen Wrench
- Drill
- 9/32" Drill Bit
- 7/16" Box End Wrench
- A person to help with installation
- Torque Wrench
- File or Sandpaper
- Hack Saw
- Marker or Pencil
- 1/8" Flat Screwdriver
- 1/8" Allen Wrench
- Loctite

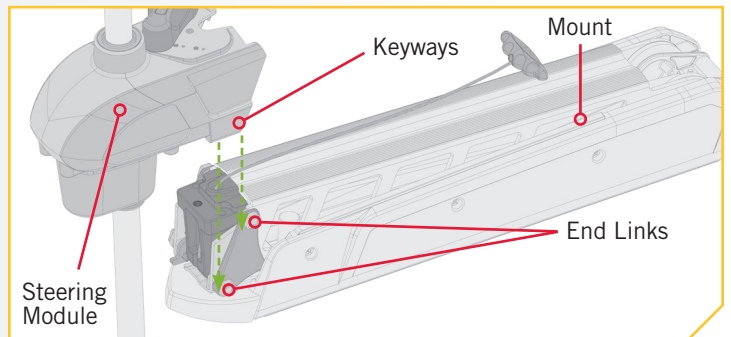
INSTALLATION

Assembly of Motor to Mount

- Place the Mount on an elevated, level surface such as a workbench or the tailgate of a pickup. The Mount, as removed from the box, should be in the deployed position.
 - Remove the 5/16" Allen Screw and Lock Washer from the Mount using the 1/4" Allen Wrench. The 5/16" Allen Screw is located on the opposite end of the mount from the hinge that opens and closes when the mount is stowed and deployed.



- Align the Keyways on the inside of the Steering Module with the End Links on the Mount. Do this by positioning the Steering Module above the End Links on the Mount.
 - Lower the Motor Assembly straight down until the Steering Module is seated.



WARNING

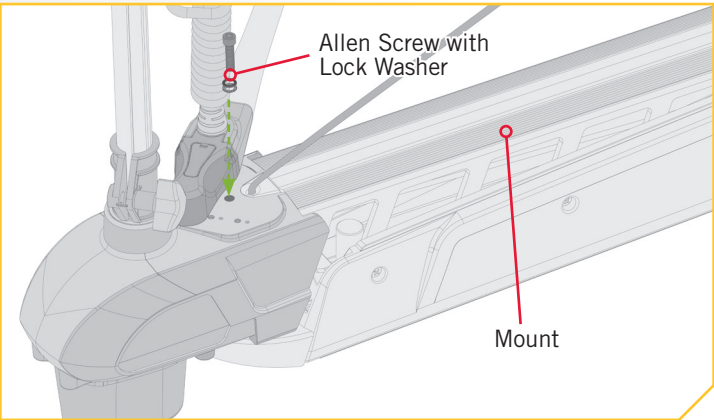
Carefully lower the Steering Module into place to avoid creating a pinch point between the Steering Module and Mount.

INSTALLING THE BOW-MOUNT

3

- e. Reinstall the 5/16" Allen Screw and Lock Washer and tighten to 18 to 20 ft-lbs with a Torque Wrench.

NOTICE: The 5/16" Allen Screw must be tightened when installed and periodically tightened to 18 to 20 ft-lbs. This will allow the motor to be stowed properly. Tighten the Allen Screw when the Mount is in the deployed position.



Installing the Bow-Mount

During installation, it is recommended to mount the motor to the boat before installing the Gas Spring Pin. The Gas Spring Pin is installed in the Gas Spring Cylinder. The Gas Spring Cylinder is located on the inside of the Outer Arm, which is a part of the Mount. At this point in the installation, the Gas Spring Cylinder is not fully installed and may move around inside the Mount when stowing and deploying the motor. The Gas Spring Cylinder can become damaged while deploying the motor and the damage will prevent the Lift-Assist feature from operating correctly once fully assembled. Make sure that the Gas Spring Cylinder does not get damaged in the Mount.

1

ITEM(S) NEEDED

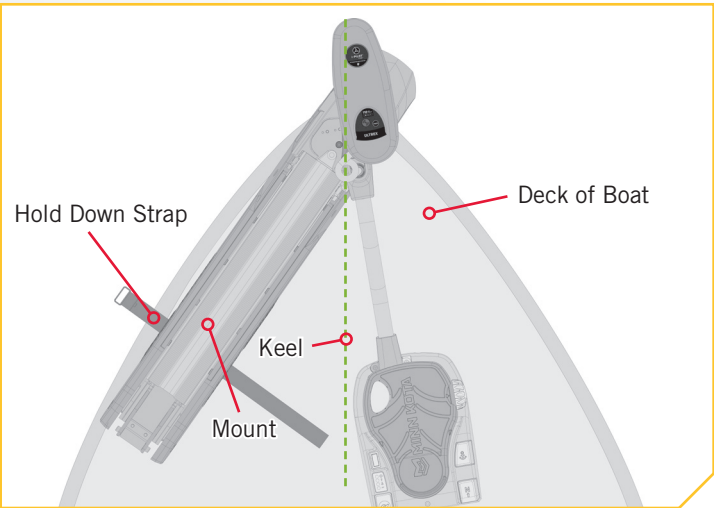
 #20 x 1

- a. Review the mounting considerations at the beginning of the Installation section for proper placement. Place the Mount as close to the centerline or keel of the boat as possible, with the motor in the stowed position, on the deck of the boat. Check placement with the motor in the stowed and deployed positions.

CAUTION

The Gas Spring Cylinder can become damaged in the Mount while stowing or deploying the motor because it is not yet fully installed. Damage will prevent the Lift-Assist feature from operating correctly once fully assembled. Make sure that the Gas Spring Cylinder does not get damaged by keeping it inside the Outer Arm of the Mount.

- b. Place the Hold-Down Strap (Item #20) under the base of the Mount Plate so that it is below the Mount when placed.

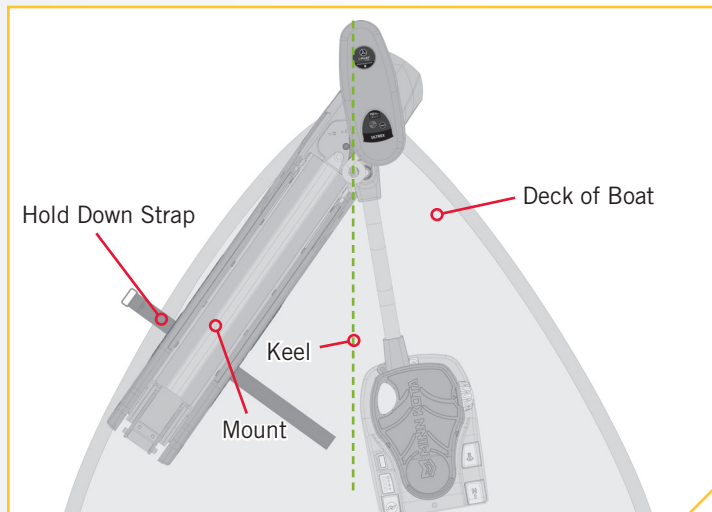


NOTICE: This motor weighs approximately 55 lbs. We recommend having a second person help with the installation.

INSTALLING THE BOW-MOUNT

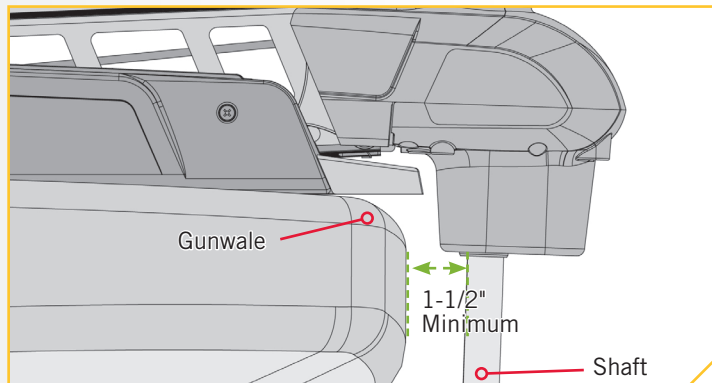
2

- a. The Mount can be installed on either the Port or Starboard side of the boat based on personal preference. Test the placement of the Hold-Down Strap to be sure it can hold the Mount as placed. The placement of the buckle on the Hold-Down Strap either inboard or outboard is based on personal preference. The hook and loop on the fastener should be face down for the Hold-Down Strap to function.



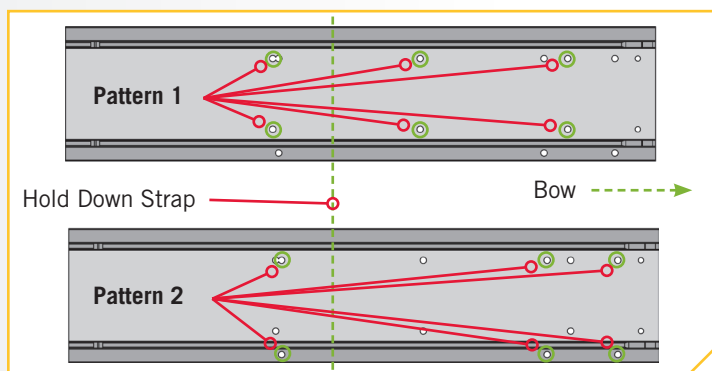
3

- d. Check the placement with the motor in the deployed position. When the motor is in the deployed position, make sure that the Shaft is 1-1/2" out past the Gunwale of the boat. The lower unit, when stowed and deployed must not encounter any obstructions.
- e. Check the placement of the Hold-Down Strap when the motor is in the stowed and deployed position and adjust if necessary.



4

- f. Once the Mount is in position, determine which bolt pattern to use. The bolt pattern selected will depend on the deck space available on your boat.
- g. It is recommended to mark at least 4 of the 6 holes in the base of the Mount and to have two bolts on each side that are located the farthest apart on the Mount Plate. Ideal installation would allow for 6 bolts to be used, with a minimum of 4.
- h. Drill through the deck of the boat using a 9/32" Drill Bit on the marked locations.
- i. Be sure the Hold-Down Strap under the base of the Mount Plate sits between the second and third set of bolts according to the mounting pattern selected. Double check that it can close around the Mount when stowed.



NOTICE: If Pattern 2 is used, the right side plate must be removed to access the mounting holes in the base of the Mount.

INSTALLING THE GAS SPRING PIN

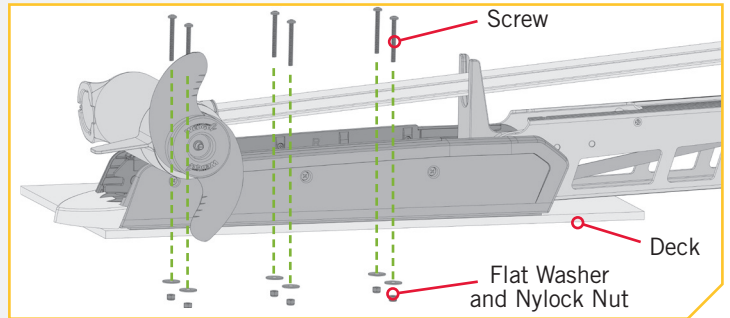
5

ITEM(S) NEEDED

- #6 x 6
- #5 x 6
- | #4 x 6

- Put a 1/4-20 x 2 1/2" Screw (Item #4) in each of the drilled locations. The Screw should pass through the Mount Plate and the boat deck.
- Place a Flat Washer (Item #5) and then a Nylock Nut (Item #6) at the end of each screw as shown and secure. Make sure all hardware is secure.

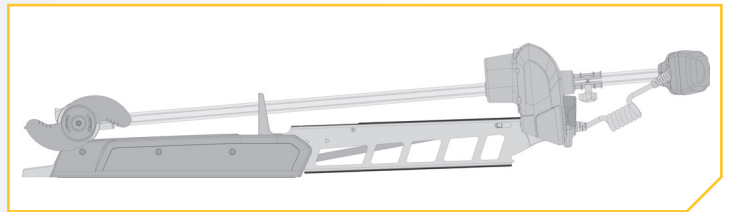
NOTICE: To prevent seizing of the stainless steel hardware, do not use high speed installation tools. Wetting the screws or applying an anti-seize may help prevent seizing.



Installing the Gas Spring Pin

1

- Position the motor to the stowed position with the Pull Grip and Cable to disengage the latch bar, allowing the motor to fold into a flat position.
- Once in the stowed or flat position, the Gas Spring Pin and Spacers can be installed.



INDEXING THE MOTOR

2

ITEM(S) NEEDED

#25 x 2

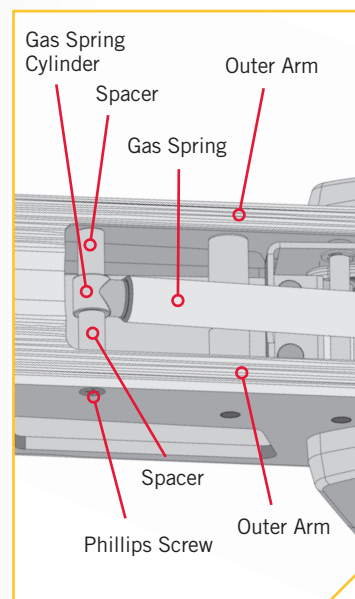
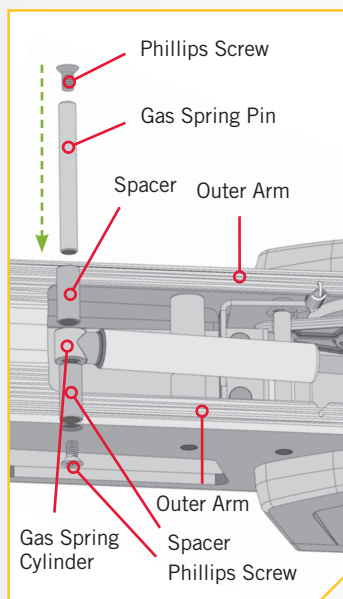
#26 x 2

#27 x 1

- c. Locate the upper Gas Spring Pin (Item #27) and Spacers (Item #26) in the bag assembly. Align the end of the Gas Spring with the holes in the Outer Arm.
- d. Install the Gas Spring Pin through the Outer Arm, then through a Spacer, the end of the Gas Spring Cylinder and another Spacer.

NOTICE: Spacers are placed on each side of the Gas Spring on the inside of the Outer Arm. Phillips Screws have a pre-applied thread locker. Do not apply additional thread-locker to them as it may prevent future removal.

- e. Install one Phillips Screw (Item #25) on each end of the Gas Spring Pin and secure with two #3 Phillips screwdrivers.
- f. Tighten Phillips Screws until the heads are flush with the Outer Arm.

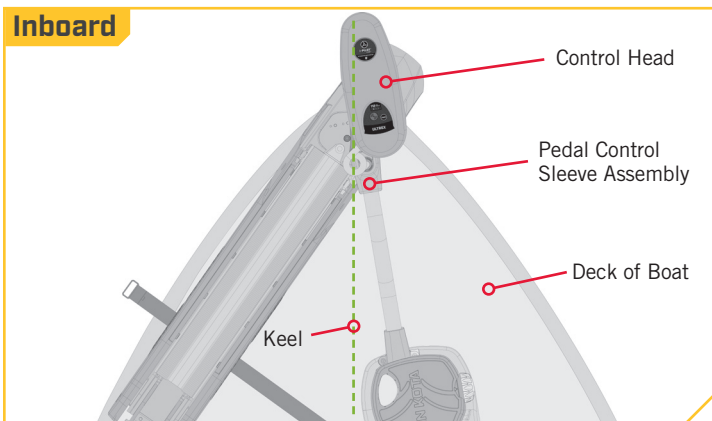


Indexing the Motor

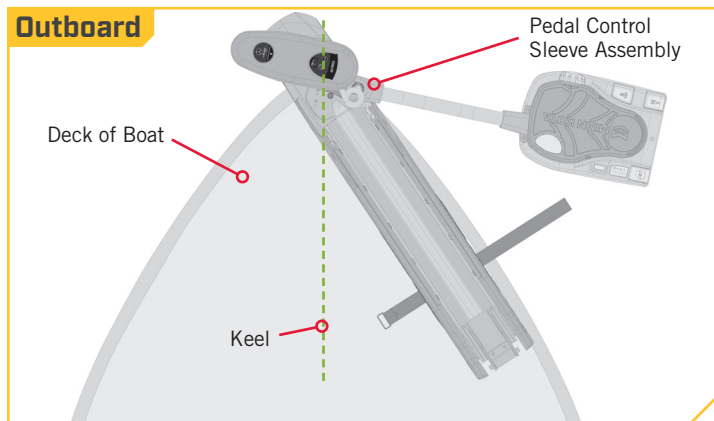
It is recommended to have the Pedal Control Sleeve Assembly pointing inboard. If the Pedal Control Sleeve Assembly points outboard, please see Orientate the Pedal Control Sleeve Assembly for a Starboard Mount. Use the following instructions to index the motor if the Pedal Control Sleeve Assembly is already mounted inboard.

Once installed, the system is properly indexed when the motor is deployed and the head of the motor and lower unit align with the centerline or keel of the boat at the same time the top of the Foot Pedal is parallel to the deck of the boat.

Inboard



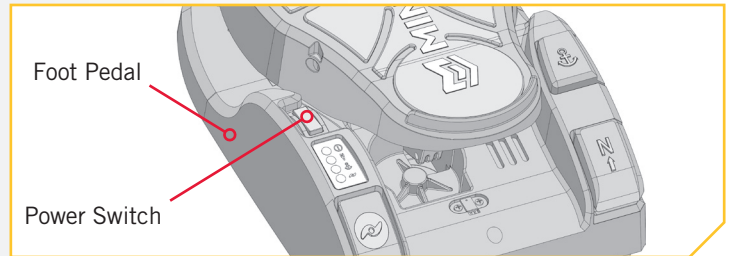
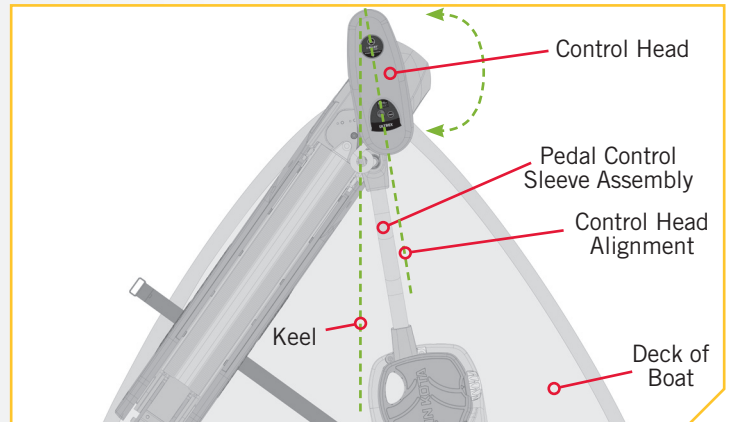
Outboard



INDEXING THE MOTOR

1

- a. Turn the Power Switch "on" and steer the motor so that the Control Head is in line with the keel of the boat. This can be done by steering the motor with the Foot Pedal, turning the motor with the remote, or manually turning the head of the motor.
- b. Leave the Control Head in the desired alignment and turn the power to the Foot Pedal "off". Then disconnect the power by removing the power cables from the battery or turning "off" the breaker if equipped.

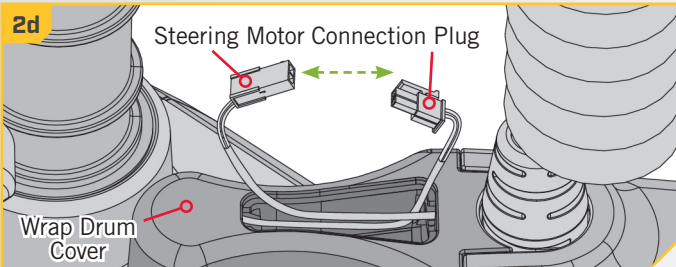
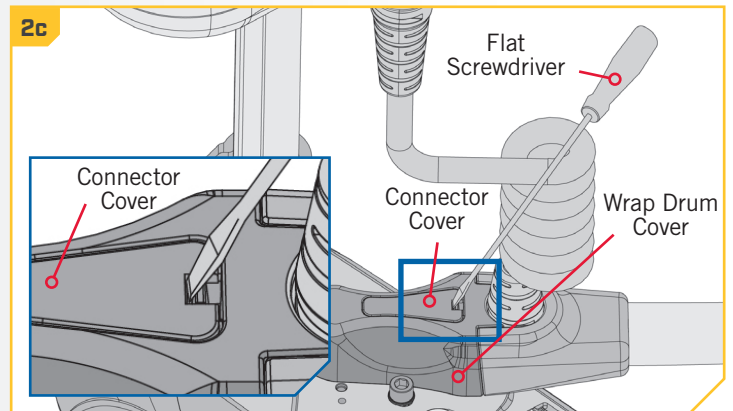


WARNING

To avoid electric shock, make sure the motor is not connected to a power source.

2

- c. Remove the Connector Cover from the Wrap Drum Cover using a 1/8" wide Flat Screwdriver to release it. Release it by pressing the flat part of the screwdriver in the slot closest to the center of the Connector Cover and prying upwards.
- d. Once the Connector Cover is removed, disconnect the Steering Motor Connection Plug that is visible.



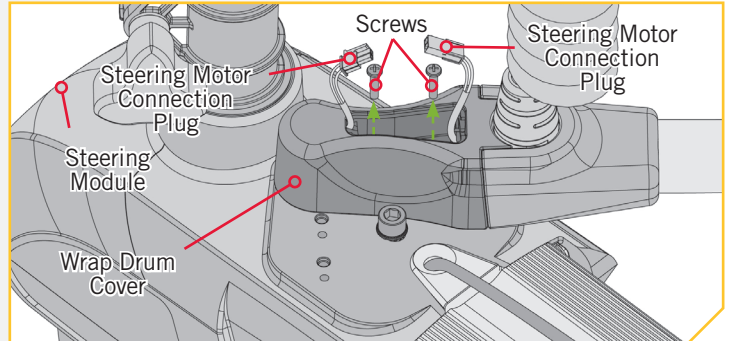
NOTICE: Please note the orientation and routing of the plug and wires for re-installation.

INDEXING THE MOTOR

- 3** e. Remove the two screws that hold the Wrap Drum Cover in place with a #1 Phillips Screwdriver. Once removed, lift the Wrap Drum Cover away from the Steering Module.

⚠ CAUTION

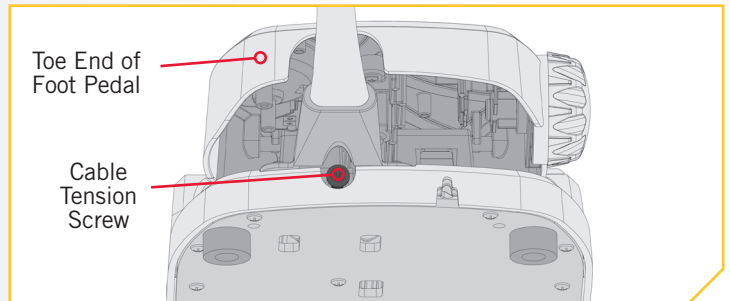
Be careful to not damage the Steering Motor Connection Plug ends.



- 4** f. The Cable Tension Screw that holds tension on the Steering Cables is located under the base of the Toe End of the Foot Pedal. This screw can be loosened just enough so that the Steering Cables can be pinched together between the Cable Anchor and Wrap Drum. Use a #3 Phillips screwdriver to loosen this screw. Turning the screw approximately 8 turns counterclockwise should provide enough slack in the cables to adjust. Keep track of the number of turns the screw is unscrewed so it can be re-tightened accordingly later.

⚠ CAUTION

Over loosening the Cable Tension Screw may cause the cables to disengage from the Wrap Drum.

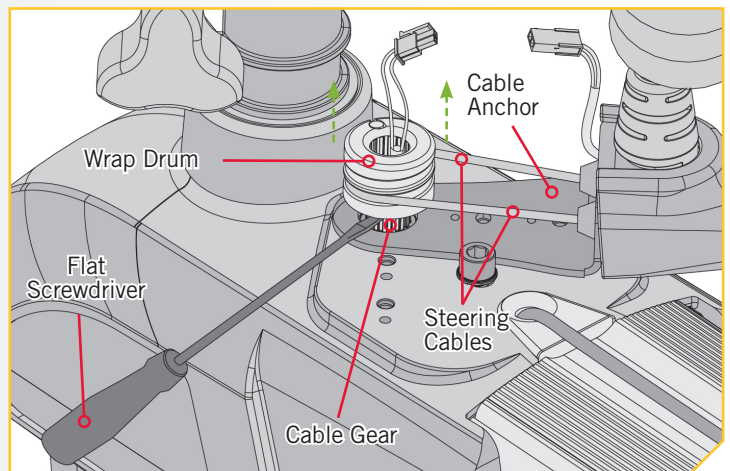


NOTICE: The cables are fed through the Cable Anchor and wound around the Wrap Drum. The right cable is the shorter cable and begins winding on the Wrap drum from the top down. The left cable is the longer cable and begins winding on the Wrap drum from the bottom up.

- 5** g. Once the Cable Tension Screw is loosened, prying the Wrap Drum straight up off of the Cable Gear using a heavy flat-blade screwdriver, until the Wrap Drum is free of the Cable Gear.

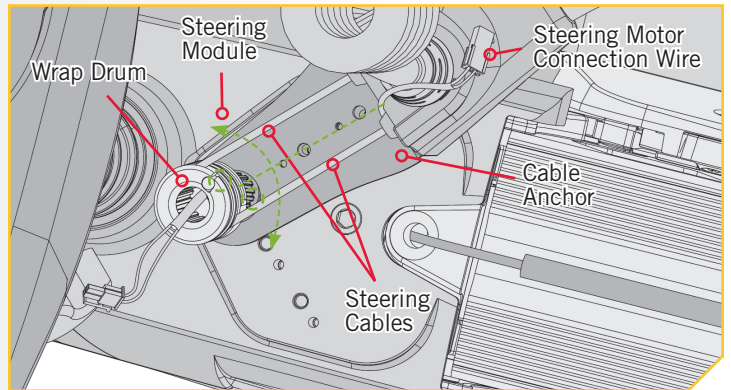
⚠ CAUTION

Care must be taken so that the Steering Cables remain on the Wrap Drum when it is disengaged from the Cable Gear. It is important that the Steering Cables follow the grooves on the Wrap Drum so that they do not become intertwined or pop off. Be sure that the electric wire is not damaged as the Wrap Drum is lifted.



6

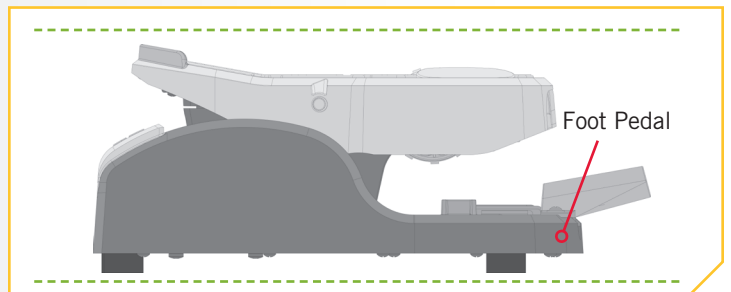
- h. While holding the Wrap Drum just above the Cable Gear, and maintaining tension on the Steering Cables, carefully rotate the Wrap Drum right or left until the top of the Foot Pedal is parallel with the deck of the boat. The proper position of the Wrap Drum will locate the anchors for each of the Steering Cables equidistant from the mid-line of the Cable Anchor where it is secured to the Steering Module.



⚠ CAUTION

Do not make this adjustment by applying pressure to the Foot Pedal. Rotate the Wrap Drum manually and use the Foot Pedal position as a guide to indicate the proper position of the Wrap Drum.

- i. Once the Foot Pedal is at the desired position, align the Wrap Drum with the nearest tooth on the splined shaft of the Cable Gear. Press the Wrap Drum securely down so that it is seated on top of the Cable Gear. At this point, the head of the motor should be parallel with the keel of the boat and the top of the foot pedal should be parallel with the deck of the boat.



⚠ CAUTION

If the Wrap Drum becomes unintentionally disengaged from the Cable Gear, the Steering Cables can become unwound and will need to be reassembled correctly for proper operation.

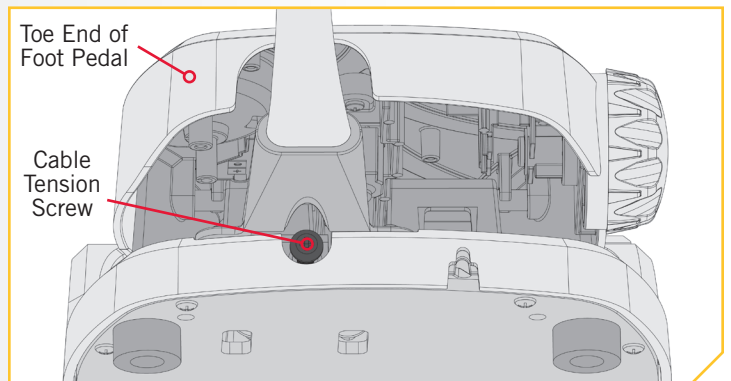
NOTICE: The top of the Wrap Drum has rounded and smooth edges. The bottom of the Wrap Drum is flat and the teeth that engage the Cable Gear are visible in the center.

7

- j. Using a #3 Phillips screwdriver, tighten the Cable Tension Screw located at the base of the Toe End of the Foot Pedal to 10 - 12 in-lbs until the Steering Cables are under tension or re-tighten the same number of turns as was used in step 4f.

⚠ CAUTION

Do not over tighten the Cable Tension Screw, as excessive tension will cause damage to the unit.



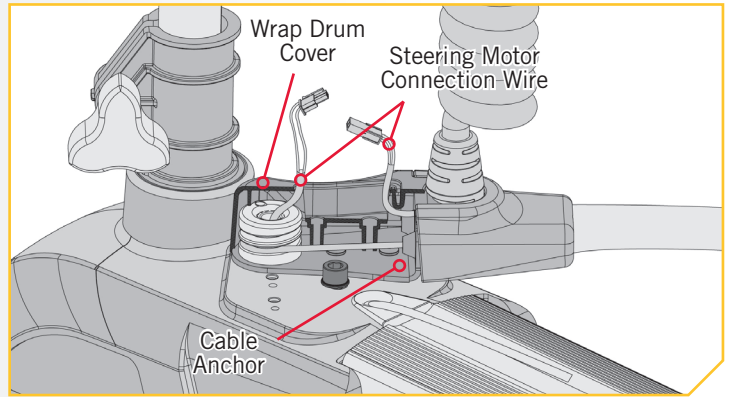
INDEXING THE MOTOR

8

- k. Reconfirm that the Steering Cables are tight and then carefully thread the Steering Motor Connection Wire through the top of the Wrap Drum Cover. The male plug comes from the Cable Anchor through the opening at the bottom of the Wrap Drum Cover. The wire with the female plug that runs out the top of the Cable Gear should also be pulled through the opening at the bottom of the Wrap Drum Cover.

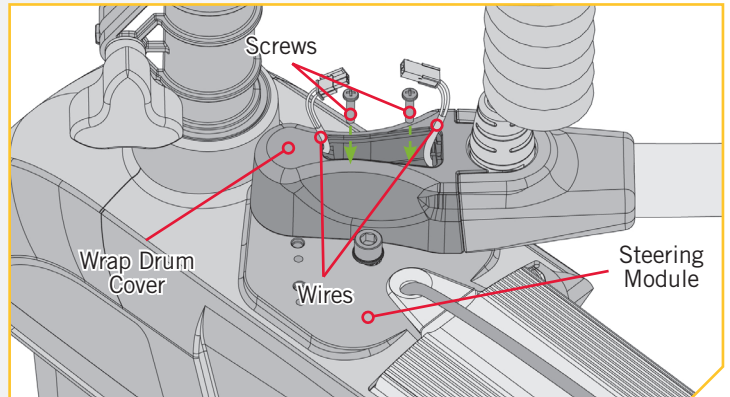
CAUTION

Take care not to pinch the Steering Motor Connection Wire while the Wrap Drum is set into place.



9

- l. Place the Wrap Drum Cover down on top of the Cable Anchor and align the screw holes on it with the screw holes on the Cable Anchor. Make sure the Wrap Drum Cover is nested securely on top of the Steering Module and that the wires pass out the top of the Wrap Drum Housing. Secure the Wrap Drum Housing in place with the two screws that were originally removed using a #1 Phillips screwdriver. Tighten to 6 in-lbs.



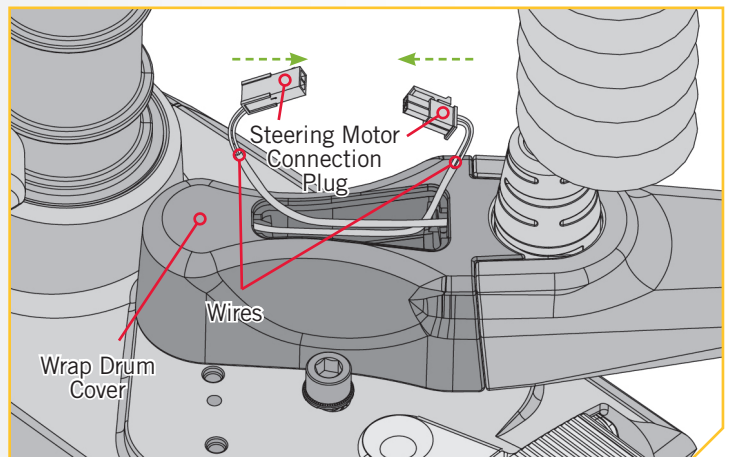
10

- m. Reconnect the Steering Motor Connection Plug and push it into the Wrap Drum Cover.

CAUTION

Wires and plug must not touch moving parts. Wires may be damaged if caught in moving parts.

- n. Orientate the wires connecting the Steering Motor Connection Plug as noted so that the wires do not touch moving parts.
- o. Replace the Connector Cover.



ORIENTATE THE PEDAL CONTROL SLEEVE ASSEMBLY FOR A STARBOARD MOUNT

► Orientate the Pedal Control Sleeve Assembly for a Starboard Mount

By default, the Pedal Control Sleeve Assembly is factory set so that when your Ultrex is installed on the port side of your boat, the Pedal Control Sleeve Assembly points inboard. Should you choose to install your Ultrex on the Starboard side of your boat, it is recommended that the default mounting location be changed so that the Pedal Control Sleeve Assembly points inboard.

Once the Mount is installed, the system is properly calibrated when the motor is deployed and the head of the motor and lower unit align with the centerline or keel of the boat at the same time the top of the Foot Pedal is parallel to the deck of the boat.

Use the following instructions to change the mounting location of the Pedal Control Sleeve Assembly on the Steering Housing and then properly align the head of the motor. If your motor was installed on the Port side of the boat, please disregard these instructions and see the Indexing the Motor section of this manual.

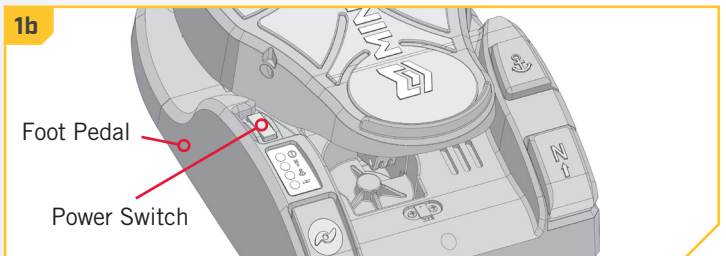
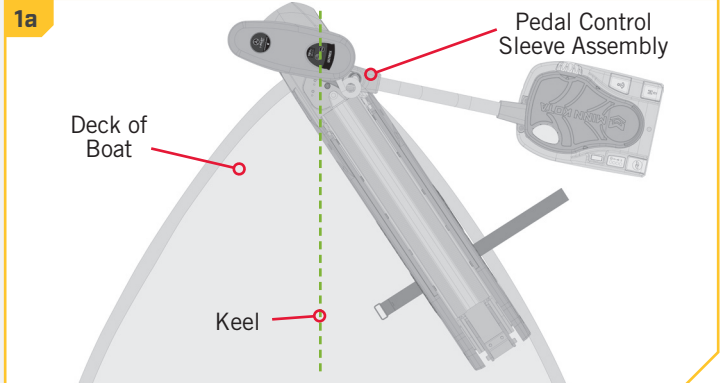
1

- a. Aligning the head of the motor before correcting the placement of the Pedal Control Sleeve Assembly will help calibrate alignment once the assembly is in the recommended position. Turn the Power Switch "on" and steer the motor so that the Control Head is in line with the keel of the boat. This can be done by steering the motor with the Foot Pedal, turning the motor with the remote, or manually turning the head of the motor.
- b. Leave the motor in the desired alignment and turn the power to the Foot Pedal "off". Then disconnect the power by removing the power cables from the battery or turning "off" the breaker if equipped.



WARNING

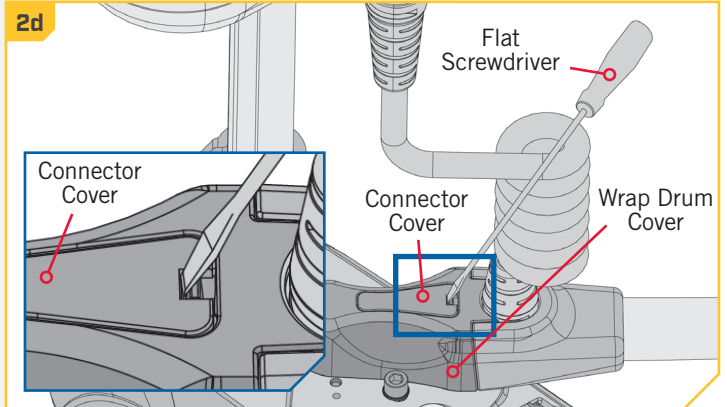
To avoid electric shock, make sure the motor is not connected to a power source.



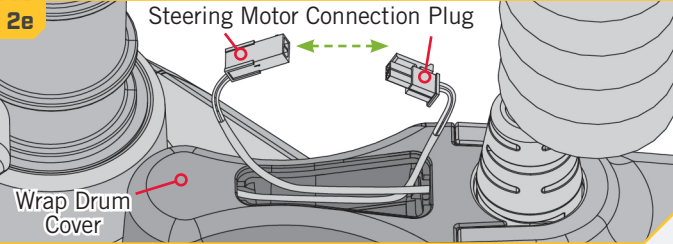
ORIENTATE THE PEDAL CONTROL SLEEVE ASSEMBLY FOR A STARBOARD MOUNT

2

- c. Remove the Connector Cover from the Wrap Drum Cover using a 1/8" wide Flat Screwdriver to release it. Release it by pressing the flat part of the screwdriver in the slot closest to the center of the Connector Cover and prying upwards.
- d. Once the Connector Cover is removed, disconnect the Steering Motor Connection Plug that is visible.



NOTICE: Please note the orientation and routing of the plug and wires for re-installation.

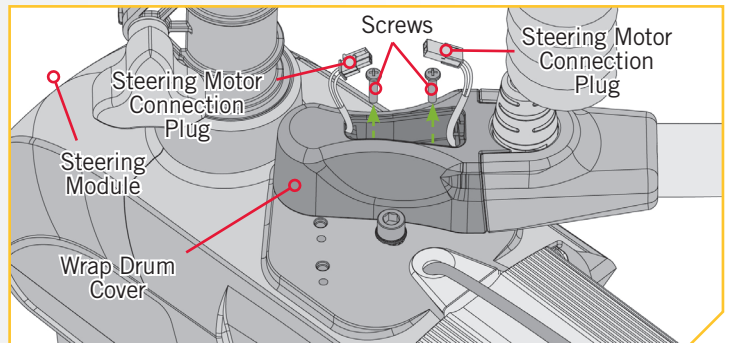


3

- e. Remove the two screws that hold the Wrap Drum Cover in place with a #1 Phillips Screwdriver. Once removed, lift the Wrap Drum Cover away from the Steering Module.

CAUTION

Be careful to not damage the Steering Motor Connection Plug ends and wires.

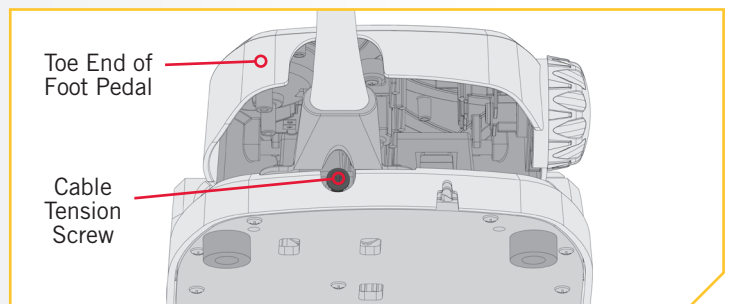


4

- f. The Cable Tension Screw that holds tension on the Steering Cables is located under the base of the Toe End of the Foot Pedal. This screw can be loosened just enough so that the Steering Cables can be pinched together between the Cable Anchor and Wrap Drum. Use a #3 Phillips screwdriver to loosen this screw. Turning the screw approximately 8 turns counterclockwise should provide enough slack in the cables to adjust. Keep track of the number of turns the screw is unscrewed so it can be re-tightened accordingly later.

CAUTION

Over loosening the Cable Tension Screw may cause the cables to disengage from the Wrap Drum.

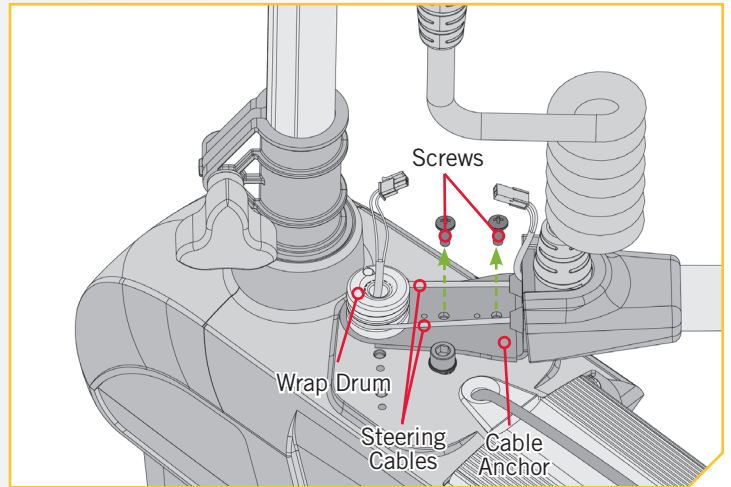


NOTICE: The cables are fed through the Cable Anchor and wound around the Wrap Drum. The right cable begins winding on the Wrap drum from the top down. The left cable begins winding on the Wrap drum from the bottom up.

ORIENTATE THE PEDAL CONTROL SLEEVE ASSEMBLY FOR A STARBOARD MOUNT

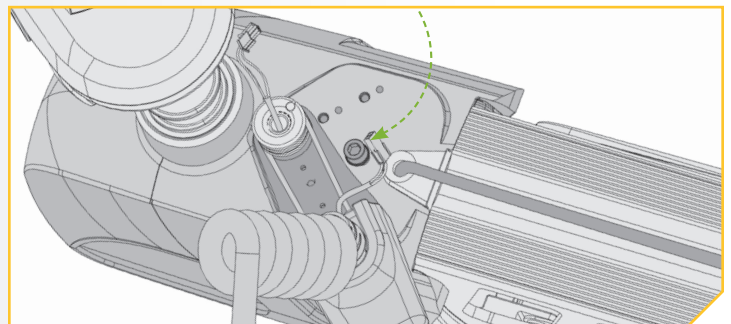
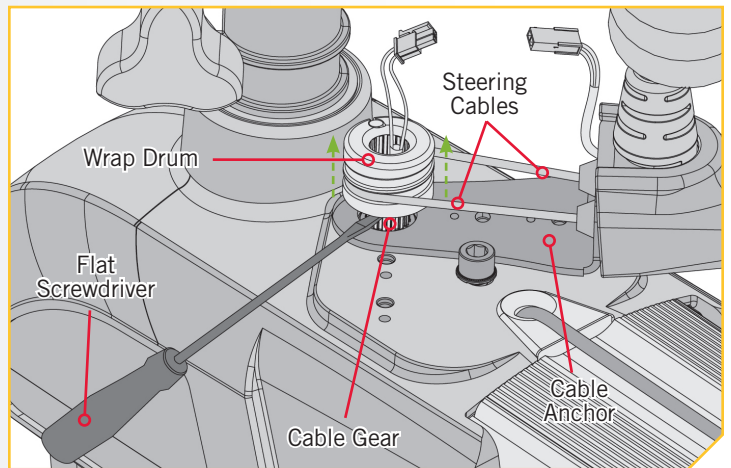
5

- g. The Cable Anchor functions to hold the Steering Cables in place. The cables run from the Cable Anchor and wrap around the Wrap Drum. The Cable Anchor is secured to the Steering Module with two screws. Remove the two #10-32 x 1/2" screws that hold the Cable Anchor in place using a #2 Phillips screwdriver.
- h. The Wrap Drum is set on the shaft of the Cable Gear that extends above the Steering Module. The female end of the electric wire passes out the top of the Cable Gear. The shaft of the gear that the Wrap Drum sits on is splined. To rotate the Pedal Control Sleeve Assembly, the Wrap Drum needs to be lifted off of the Cable Gear. Before the Wrap Drum can be lifted or aligned, the Steering Cables should be loosened.



6

- i. Once the Cable Tension Screw is loosened, and the screws are removed, carefully pry the Wrap Drum partially off by prying straight up, using a heavy flat-blade screwdriver. The Wrap Drum should only be lifted far enough up on the Cable Gear to rotate the Pedal Control Sleeve Assembly to the inboard or desired position. The Cable Anchor is in the correct position on the mount when it is mounted towards the inboard side of the mount.



CAUTION

Only pry the Wrap Drum high enough on the Cable Gear to rotate the Cable Anchor and Pedal Control Sleeve Assembly to the correct position. If the Wrap Drum becomes unintentionally disengaged from the Cable Gear, the Steering Cables can become unwound and will need to be reassembled correctly for proper operation.

NOTICE: The top of the Wrap Drum has rounded and smooth edges. The bottom of the Wrap Drum is flat and the teeth that engage the Cable Gear are visible in the center.

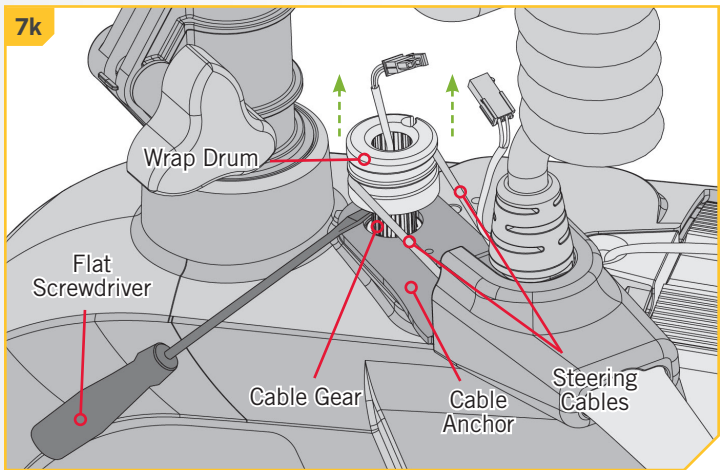
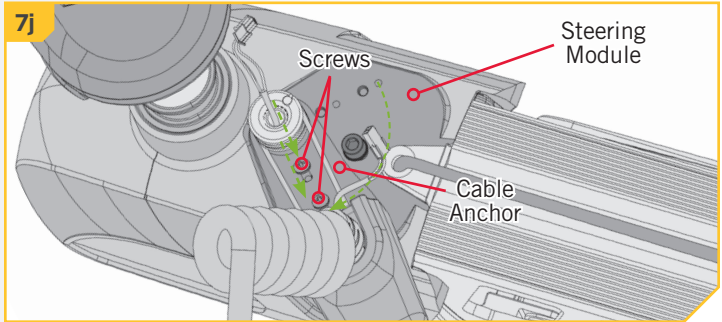
ORIENTATE THE PEDAL CONTROL SLEEVE ASSEMBLY FOR A STARBOARD MOUNT

7

- j. Secure the Cable Anchor to the inboard side of the Steering Module by loosely securing the screws in place using a #2 Phillips screwdriver.
- k. Once the Cable Anchor is secured, finish prying the Wrap Drum straight up, off of the Cable Gear until the Wrap Drum is free of the Cable Gear.

⚠ CAUTION

Care must be taken so that the Steering Cables remain on the Wrap Drum when it is disengaged from the Cable Gear. It is important that the Steering Cables follow the grooves on the Wrap Drum so that they do not become intertwined or pop off. Be sure that the electric wire is not damaged as the Wrap Drum is lifted.



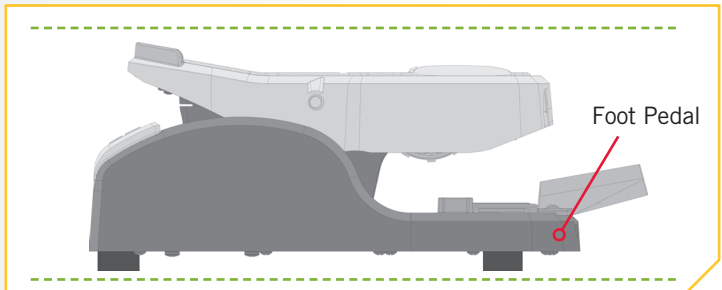
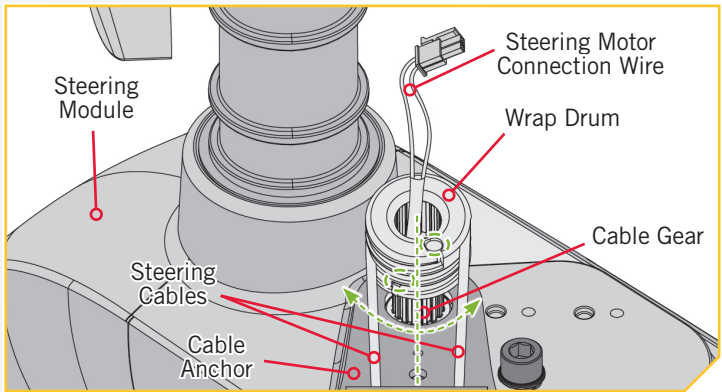
8

- i. While holding the Wrap Drum just above the Cable Gear, and maintaining tension on the Steering Cables, carefully rotate the Wrap Drum right or left until the top of the Foot Pedal is parallel with the deck of the boat. The proper position of the Wrap Drum will locate the anchors for each of the Steering Cables equidistant from the mid-line of the Cable Anchor where it is secured to the Steering Module.

⚠ CAUTION

Do not make this adjustment by applying pressure to the Foot Pedal. Rotate the Wrap Drum manually and use the Foot Pedal position as a guide to indicate the proper position of the Wrap Drum.

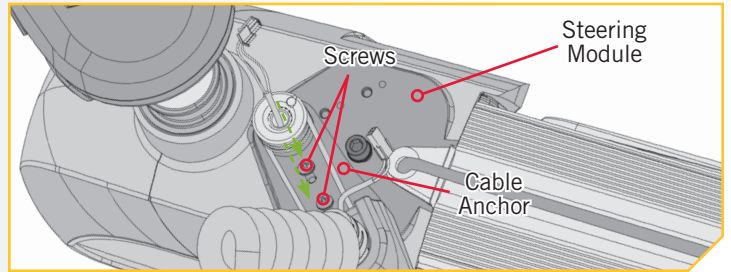
- m. Once the Foot Pedal is at the desired position, align the Wrap Drum with the nearest tooth on the splined shaft of the Cable Gear. Press the Wrap Drum securely down so that it is seated on top of the Cable Gear.



ORIENTATE THE PEDAL CONTROL SLEEVE ASSEMBLY FOR A STARBOARD MOUNT

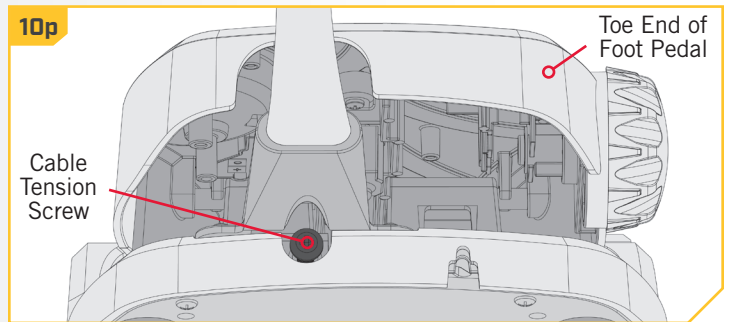
9

- n. Re-tighten the two screws that fasten the Cable Anchor to the top of the Steering Module using a #2 Phillips screwdriver. Tighten to 25 in-lbs.



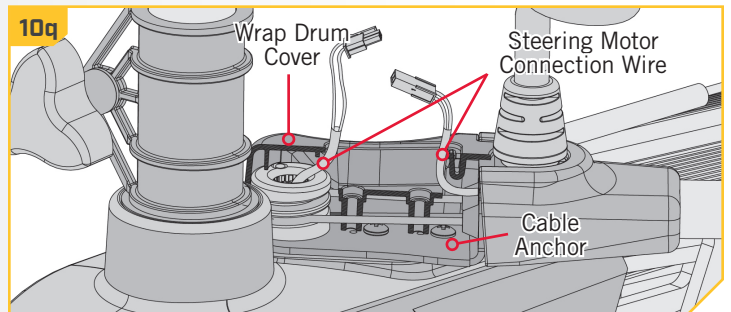
10

- o. Using a #3 Phillips screwdriver, tighten the Cable Tension Screw located at the base of the Toe End of the Foot Pedal to 10 - 12 in-lbs until the Steering Cables are under tension or re-tighten the same number of turns as was used in step 4f.



CAUTION
Do not over tighten the Cable Tension Screw, as excessive tension will cause damage to the unit.

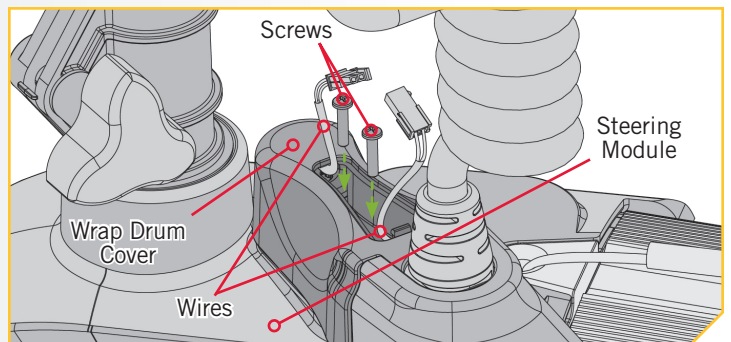
- p. Reconfirm that the Steering Cables are tight and then carefully thread the Steering Motor Connection Wire through the top of the Wrap Drum Cover. The male plug comes from the Cable Anchor through the opening at the bottom of the Wrap Drum Cover. The wire with the female plug that runs out the top of the Cable Gear should also be pulled through the opening at the bottom of the Wrap Drum Cover.



CAUTION
Take care not to pinch the Steering Motor Connection Wire while the Wrap Drum is set into place.

11

- q. Place the Wrap Drum Cover down on top of the Cable Anchor and align the screw holes on it with the screw holes on the Cable Anchor. Make sure the Wrap Drum Cover is nested securely on top of the Steering Module and that the wires pass out the top of the Wrap Drum Housing. Secure the Wrap Drum Housing in place with the two screws that were originally removed using a #1 Phillips screwdriver. Tighten to 6 in-lbs.



PLACING THE BOW-MOUNT STABILIZER

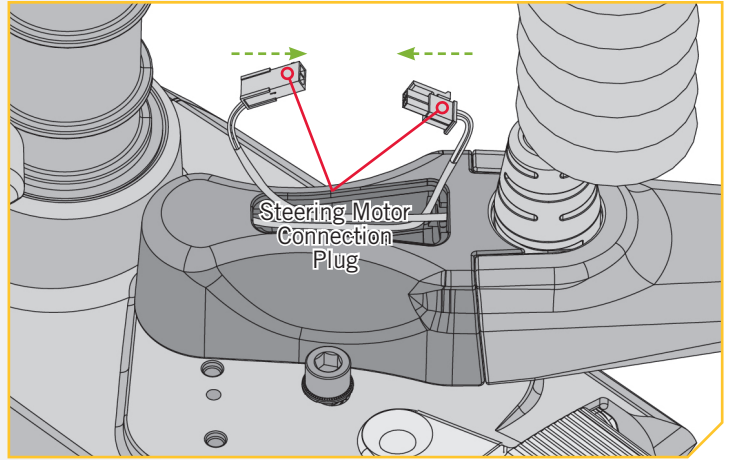
12

- r. Reconnect the Steering Motor Connection Plug and push it into the Wrap Drum Cover.

⚠ CAUTION

Wires and plug must not touch moving parts. Wires may be damaged if caught in moving parts.

- s. Orientate the wires connecting the Steering Motor Connection Plug as noted so that the wires do not touch moving parts.
- t. Replace the Connector Cover.



Placing the Bow-Mount Stabilizer

The Bow-Mount Stabilizer Bracket is used to stabilize the Steering Module and reduce bouncing when the motor is stowed and transported. Attention to detail is needed for successful installation of the stabilizer. We recommend to have the stabilizer bracket installed by a qualified marine installer.

⚠ CAUTION

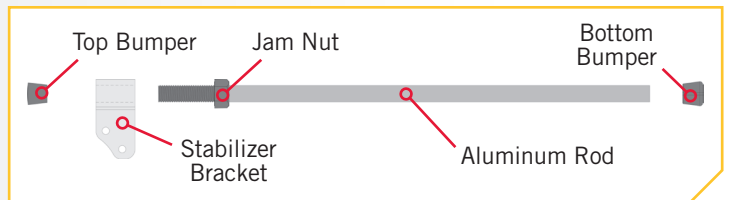
Adjusting the Aluminum Rod too tightly removes the end play needed for proper latch pin engagement and doing so could prevent the mount from fully latching in the stowed position. Improper latching may cause damage. If installed correctly, the tip of the Aluminum Rod should lift off of the boat deck about 1/4" without the mount unlatching. Cutting the Aluminum Rod too short will cause inadequate support of the mount. Lack of mount support may cause damage.

1

ITEM(S) NEEDED

- #11 x 1
-  #12 x 1
-  #13 x 1
- #14 x 1
- #15 x 1
- ⊙ #16 x 2

- a. Place the motor in the stowed position.
- b. Un-thread the Aluminum Rod (Item #13) from the Stabilizer Bracket (Item #12) by removing the Top Bumper (Item #11) and unscrewing the bracket. Also remove the Bottom Bumper (Item #15). Keep the Jam Nut (Item #14) in place.



NOTICE: The Bow-Mount Stabilizer Bracket can be installed on the left or right side of the Steering Module. When mounting the bracket onto the Ultrex, the two Nylock Nuts (Item #16) are discarded because the bolts are secured directly into the Steering Module.

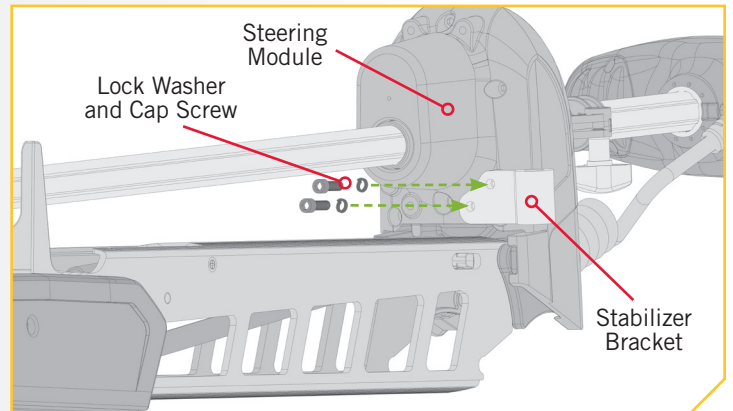
PLACING THE BOW-MOUNT STABILIZER

2

ITEM(S) NEEDED

▮ #17 x 2 ○ #18 x 2

- c. Determine the desired orientation of the Stabilizer Bracket and attach it to the bottom of the Steering Module. Place a Lock Washer (Item #18) on each of the two 5/16" Cap Screws (Item #17).
- d. Use the 5/16" Cap Screws to secure the Stabilizer Bracket to the Steering Module and tighten with a 1/4" Allen wrench. Tighten to 10 ft-lbs.



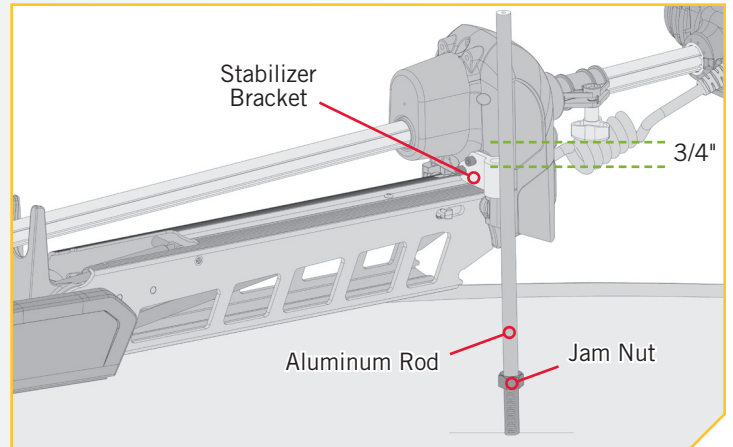
3

- e. Measure the proper length of the Aluminum Rod by standing it, with the threaded end down, onto the deck surface so that it sits vertically right next to the Stabilizer Bracket.
- f. Mark the Aluminum Rod with a pencil or marker 3/4" past the top of the Stabilizer Bracket.

CAUTION

Cutting the Aluminum Rod too short will cause inadequate support of the mount. Lack of mount support may cause damage.

- g. Cut the Aluminum Rod with a Hack Saw at the mark. Round the cut edge of the rod with a file or sandpaper to remove any sharp edges.



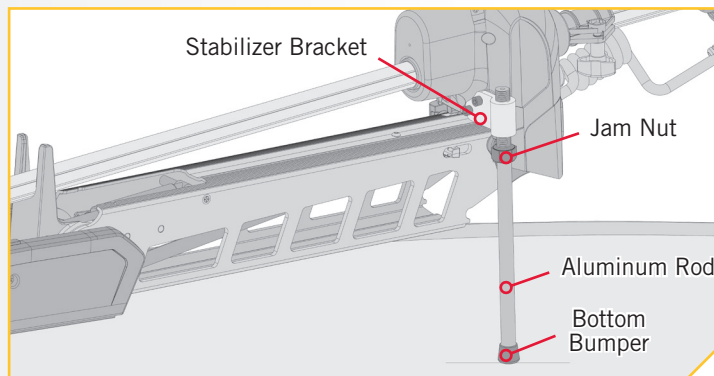
MOUNTING THE FOOT PEDAL

4

- h. Replace the Bottom Bumper on the Aluminum Rod, opposite from the threads.
- i. Thread the Aluminum Rod into the Stabilizer Bracket with the Bottom Bumper towards the boat deck.
- j. Adjust the Aluminum Rod up or down in the Stabilizer Bracket so that the Bottom Bumper just touches the support surface.

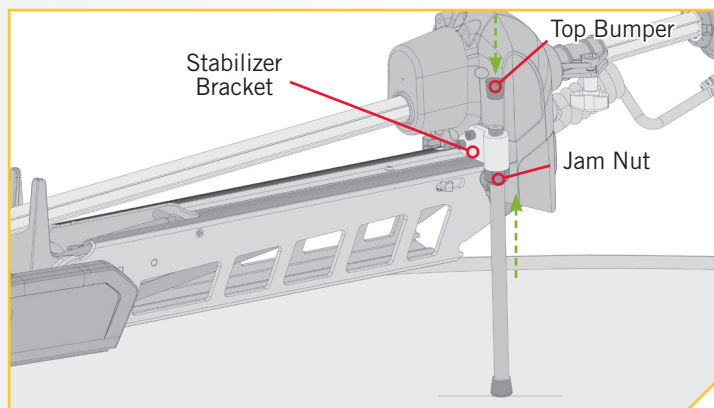
CAUTION

Adjusting the Aluminum Rod too tightly removes the end play needed for proper latch pin engagement and doing so could prevent the mount from fully latching in the stowed position. Improper latching may cause damage. If installed correctly, the tip of the Aluminum Rod should lift off of the boat deck about 1/4" without the mount unlatching.



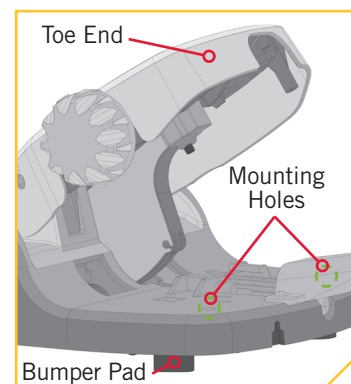
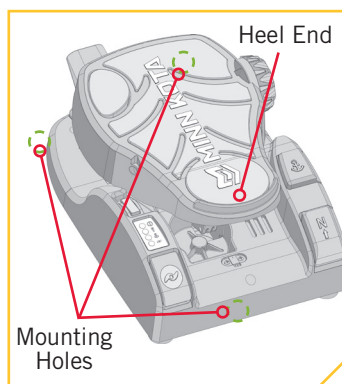
5

- k. Once in the correct position, tighten the Jam Nut upwards against the Stabilizer Bracket. This will prevent the Aluminum Rod from turning.
- l. Install the Top Bumper if there are threads exposed on the Aluminum Rod above the Stabilizer Bracket.



Mounting the Foot Pedal

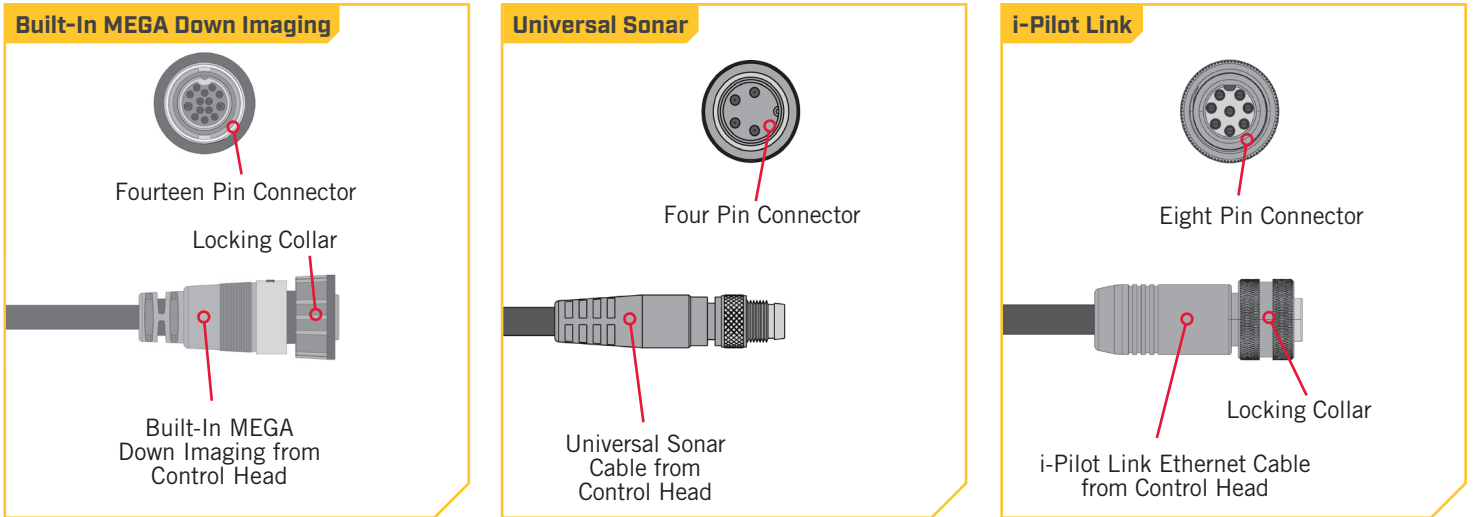
We recommend securing the Foot Pedal to the boat deck to prevent it from being damaged during transport and to make motor operation more efficient. It is recommended to use the Mounting Holes on the Foot Pedal for a secure mount. The Foot Pedal has three Mounting Holes. One Mounting Hole is located under the Heel End of the Foot Pedal. The other two are located under the Toe End of the Foot Pedal. We recommend using a 1/8" or 3/16" diameter screw and only tighten enough to slightly compress the Bumper Pads underneath the Foot Pedal.



IDENTIFYING TROLLING MOTOR FEATURES BY THEIR ASSOCIATED CABLES

IDENTIFYING TROLLING MOTOR FEATURES BY THEIR ASSOCIATED CABLES

Your trolling motor may be pre-installed with Built-In MEGA Down Imaging OR Universal Sonar, and may include i-Pilot Link. All of these features require cables to be connected to an output device. These connections are present on the trolling motor and have cables that exit below the Control Head. To better identify cables present, refer to the diagrams below that detail what the Built-In MEGA Down Imaging, Universal Sonar and i-Pilot Link cable connectors look like.



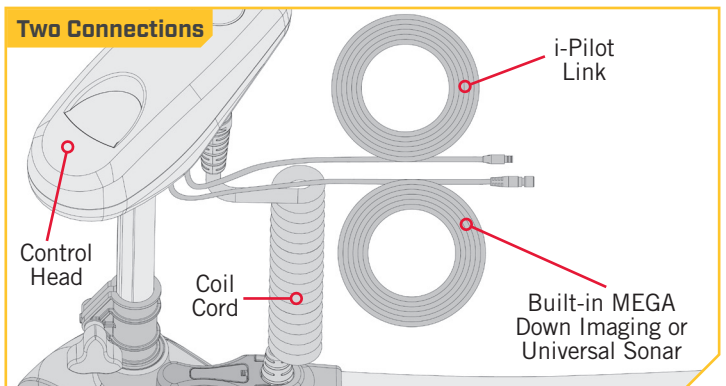
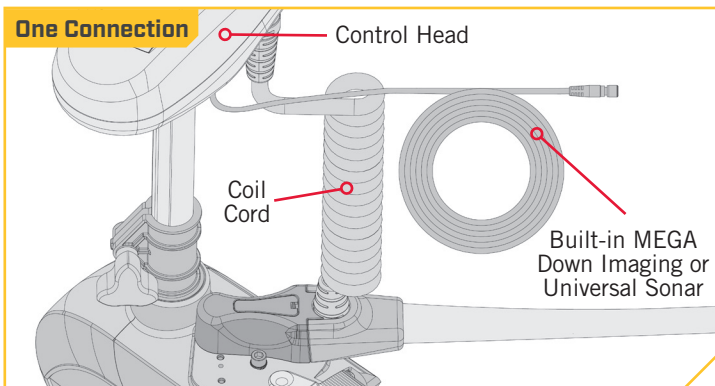
If **one** connection below the Control Head is present, the motor may be equipped with:

1. i-Pilot and Universal Sonar or
2. i-Pilot and Built-in MEGA Down Imaging

If **two** connections below the Control Head are present, the motor may be equipped with either:

1. i-Pilot Link and Universal Sonar or
2. i-Pilot Link and Built-in MEGA Down Imaging

NOTICE: The i-Pilot system does not have an external wired connection.



ROUTING CONNECTION CABLES

ROUTING CONNECTION CABLES

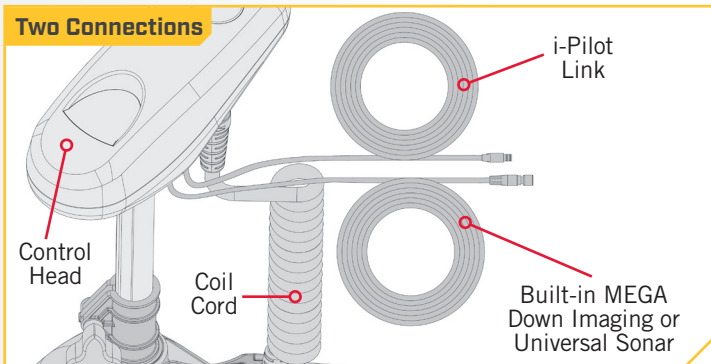
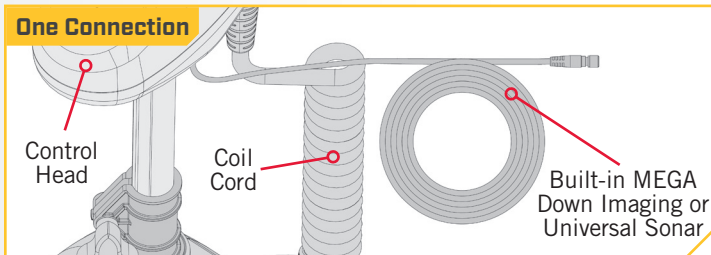
Please follow these instructions for routing any and all of the cables present for any of the pre-installed features that may come with your trolling motor. This routing should be followed whether there are one or two connection cables present. If you are unsure of the cables present, please review the “Identifying Trolling Motor Features By Their Associated Cables” section of these Installation Instructions.

- 1**
- Place the motor in the deployed position.
 - Locate the Built-in MEGA Down Imaging, i-Pilot Link and/or Universal Sonar cable(s), at the base of the Control Head.

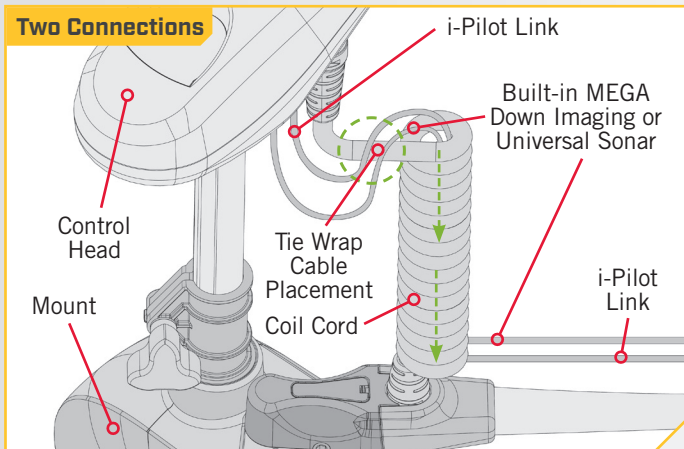
CAUTION

Not following the recommended wire routing for the Built-in MEGA Down Imaging, i-Pilot Link and/or Universal Sonar cable(s), if equipped, may cause damage to the product and void your product warranty. Route cables away from pinch points or other areas that may cause them to bend in sharp angles. Routing the cables in any way other than directed may cause damage to the cables by being pinched or severed.

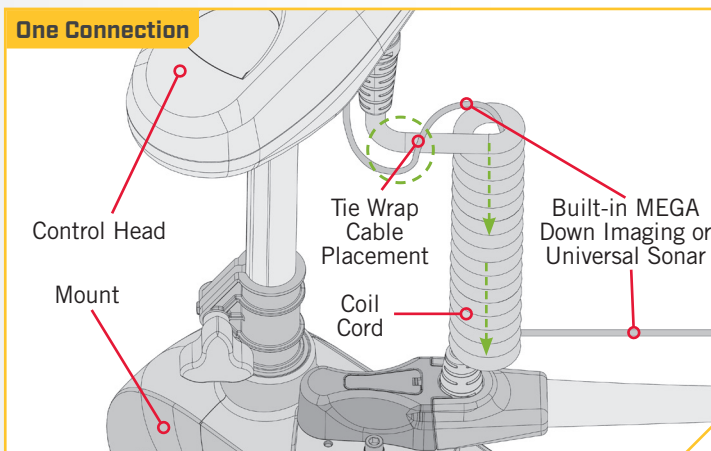
NOTICE: Universal Sonar connector shown for illustration purposes.



- 2**
- The cable(s) should be fed all the way through the Coil Cord. It/they should exit the Coil Cord at the bottom of the Coil Cord, where it connects to the Mount.



- Use a tie wrap cable to secure the cables to the top of the Coil Cord, leaving only enough slack to let the cables hang comfortably.



CAUTION

Do not over tighten the cable ties as it may damage the wires.

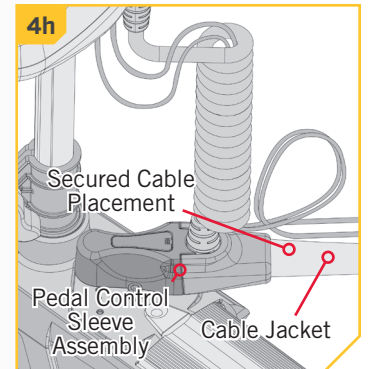
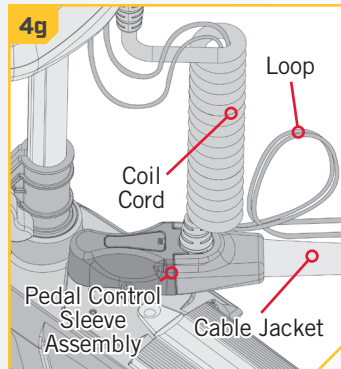
ROUTING CONNECTION CABLES

3

- e. Below the Coil Cord, measure the extension cable(s) 8 to 10 inches in length and make a loop with them.
- f. Loosely secure the end of the loop to the Cable Jacket that runs from the Pedal Control Sleeve Assembly to the Foot Pedal.

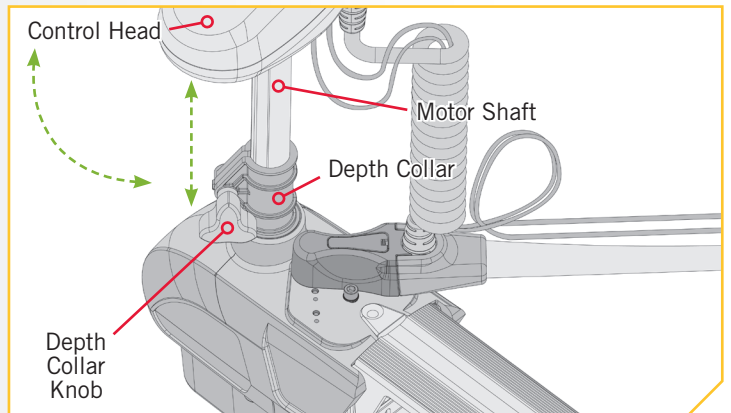
CAUTION

Do not secure the Extension Cables to the bottom of the Coil Cord. Improperly securing the Extension Cables may cause damage to the product and void your product warranty.



4

- g. Locate the Depth Collar, and while grasping the Shaft, loosen the Depth Collar Knob.
- h. Continue to grasp the Motor Shaft and raise the Control Head to test if the loop in the extension cables provides adequate slack for full functionality of the motor.
- i. Rotate the motor shaft to be sure the wire routing does not interfere with moving parts at different depth collar settings.
- j. Carefully stow and deploy the motor to test for adequate slack.
- k. Adjust slack if needed and if adequate, secure the tie wrap cable that was placed around the Cable Jacket.



NOTICE: After the cable(s) exit(s) the Coil Cord, it/they should be routed through an established routing system on the boat, in an area with minimal interference. Power cables or other elements that may produce interference for the sonar signals. Inspect the selected route carefully to ensure that there are no sharp edges, obstacles, or obstructions that may damage the cables.

FEATURE OVERVIEW AND CONNECTING THE CABLES

FEATURE OVERVIEW AND CONNECTING THE CABLES

The cable(s) from the Control Head for each feature installed on the trolling motor is connected to an output device separately. Once the features that may be installed are identified, follow the instructions below to ensure the cables are connected correctly.

› Built-In MEGA Down Imaging

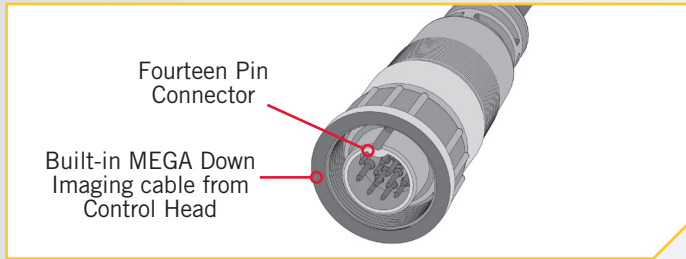
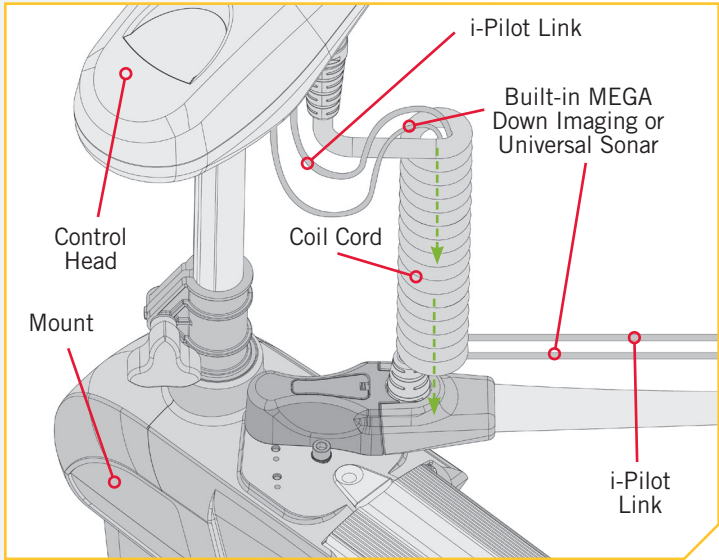
Built-In MEGA Down Imaging delivers nearly 3X the output of standard Side Imaging®, and takes fishfinding into the megahertz frequency for the very first time. The Minn Kota flagship families of trolling motors, including Ultrex, Ulterra, Terrova, and Fortrex, now include Built-In MEGA Down Imaging sonar, the clearest imaging available only from Humminbird. With Humminbird MEGA imaging sonar built right into the trolling motor, you now have a crystal clear view of what’s directly beneath the boat, without having to manage all of the cables that come with external transducers. The Built-In MEGA DI transducer is only available on new models equipped from the factory and cannot be added to an existing trolling motor.

The Built-in MEGA DI transducer will provide both MEGA Down Imaging and 2D CHIRP Digital Sonar to select Humminbird models. All Built-In MEGA DI trolling motors, will come “Solix Ready” out of the box. An adapter cable accessory (MKR-MDI-1 1852085 or MKR-MDI-2 1852086) is available for purchase that will allow the connection of any compatible Humminbird Helix fish finder. The MKR-MDI-1 is used on Helix 8, 9, 10 and 12 models. The MKR-MDI-2 is used for Humminbird Helix 7 models only. See the [Built-In MEGA Down Imaging Compatibility](#) chart online.

NOTICE: You can only view MEGA Down Imaging with a MEGA DI or MEGA SI HELIX G2N or G3N Series model and a required adapter, or with any SOLIX Series model. The built-in transducer cannot supply MEGA Down Imaging to Humminbird models that do not already have the capability. If you have a G2/G2N or a G3/G3N HELIX that is not a MEGA SI or MEGA DI model, you will still get 2D CHIRP Digital Sonar from the transducer. Built-In MEGA DI is not supported by HELIX G1 models or other brands of fish finders.

- 1 a. Place the motor in the deployed position.
- b. The Built-In MEGA Down Imaging connector from the Control Head is a 14 pin connector. Built-In MEGA Down Imaging may be installed on its own, or in conjunction with an i-Pilot or i-Pilot Link system. It will never be installed with Universal Sonar. Locate and identify the correct connection for Built-in MEGA Down Imaging cable(s), at the base of the Control Head.

NOTICE: Built-in MEGA Down Imaging is always paired with either i-Pilot or i-Pilot Link on Terrova, Ulterra and Ultrex motors. It may be pre-installed on a Fortrex motor without other features that require external connections.



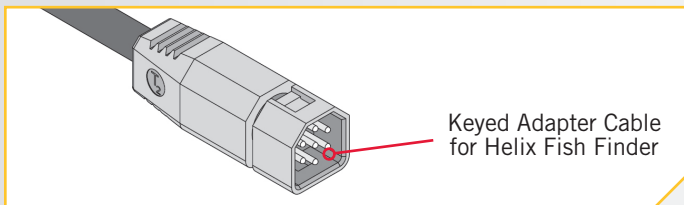
FEATURE OVERVIEW AND CONNECTING THE CABLES

2

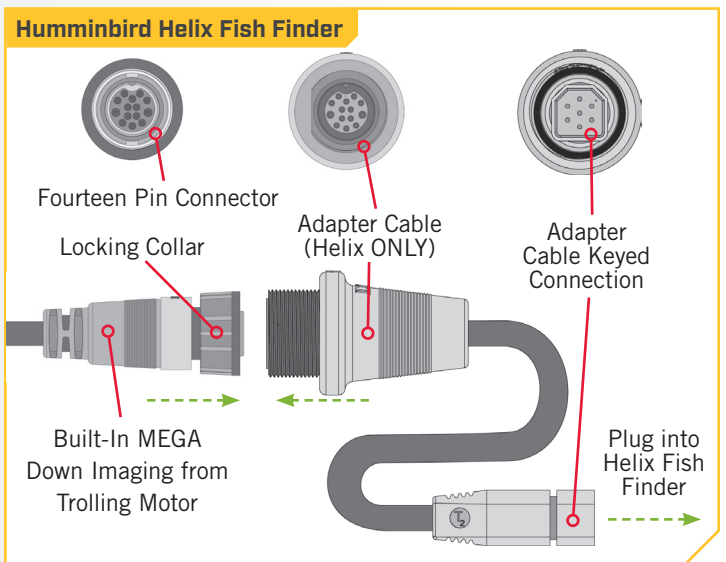
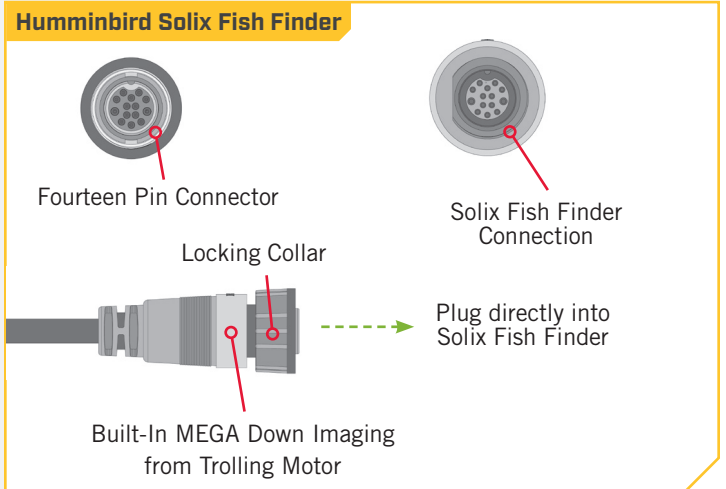
- c. **When installing with a Solix**, the Built-In MEGA Down Imaging cable can be plugged directly into the Solix fish finder. Plug the Built-in MEGA Down Imaging cable into the corresponding connection on the Solix fish finder.
- d. **When installing with a Helix**, first attach the Adapter Cable and then plug the Adapter Cable into the Helix fish finder. The Adapter Cable will only have one connection that is keyed on the back of the Helix fish finder. Plug the Adapter Cable into the only matching keyed connection.

NOTICE: Check for compatibility or any required adapter cables online at minnkotamotors.com. The cable from the trolling motor can be extended with a 10' Extension Cable #720081-1 or the 30' Extension Cable #720081-2 found at humminbird.com.

NOTICE: If any cables need to be routed, please follow the guidelines in the Routing Connection Cables section of these installation instructions.



NOTICE: The connectors are keyed to prevent reversed installation.



› Universal Sonar

Your trolling motor may be pre-installed with a Universal Sonar transducer system. Universal Sonar is a 2D sonar transducer with a temperature sensor that is integrated into the lower unit of the trolling motor. It has an operating frequency of 83/200 kHz. Connecting this transducer to a compatible fish finder gives you a 2D sonar view of what is happening directly below your trolling motor. The integrated design protects the transducer from underwater hazards, and prevents tangles and damage to the transducer cables.

All Universal Sonar motors are equipped with an internal bonding wire, incorrect rigging will cause sonar interference and can damage your trolling motor, electronics and other boat accessories. To minimize trolling motor interference, ensure that the fish finder and trolling motor are powered by separate batteries. Please refer to the Battery & Wiring Installation and Motor Wiring Diagram sections of this manual for correct rigging instructions.

FEATURE OVERVIEW AND CONNECTING THE CABLES

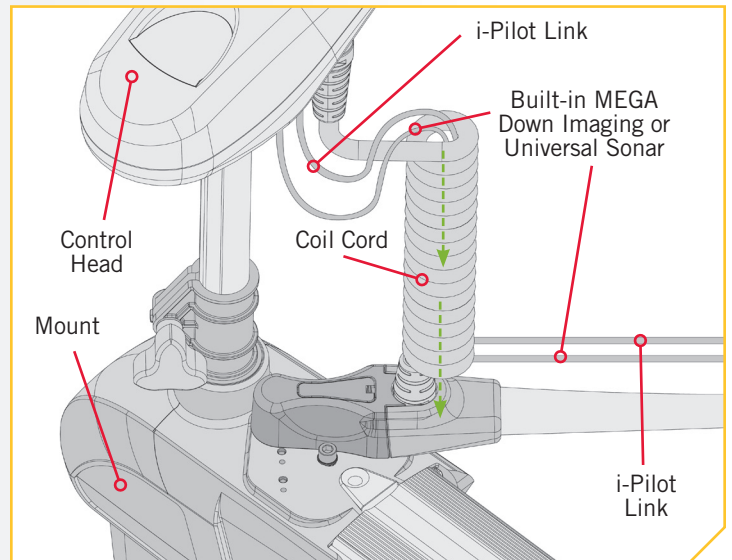
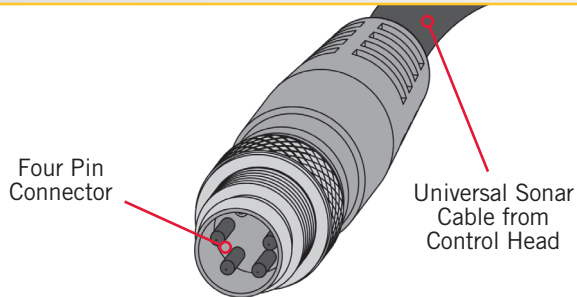
The Universal Sonar Cables are shielded to minimize interference. To protect this shielding the cables should not be pulled tight against sharp angles or hard objects. If using cable ties, do not over-tighten. Any excess cable should be bundled in a loose loop of no less than 4" in diameter. In certain situations, air bubbles may adhere to the surface of the Universal Sonar transducer, and effect the performance. If this happens simply wipe the surface of the transducer with your finger.

NOTICE: Universal Sonar does not support imaging screens that require higher frequencies such as 455 kHz or 800 kHz (Down Imaging, Side Imaging, etc.). Down Imaging (DI) specific units are not compatible with Universal Sonar. See compatibility chart for a list of compatible fish finders at minnkotamotors.com.

The connector for Universal Sonar exits the trolling motor below the Control Head and consists of a 4 pin plug. An adapter cable (MKR-US2-11) that is sold separately is required for all installations. For a current list of compatible fish finders and the correct adapter cable, or more information on Universal Sonar, please visit minnkotamotors.com.

1.
 - a. Place the motor in the deployed position.
 - b. Locate the Universal Sonar, if equipped, at the base of the Mount.
 - c. Locate the Universal Sonar four pin connector at the end of Universal Sonar Extension Cable. The connector is black with a stainless steel threaded locking collar.

NOTICE: Your fish finder should be turned off until this procedure is complete.



NOTICE: If the cable length does not reach the desired fish finder installation location, a 14.5' extension cable is available (MKR-US2-11) (sold separately).

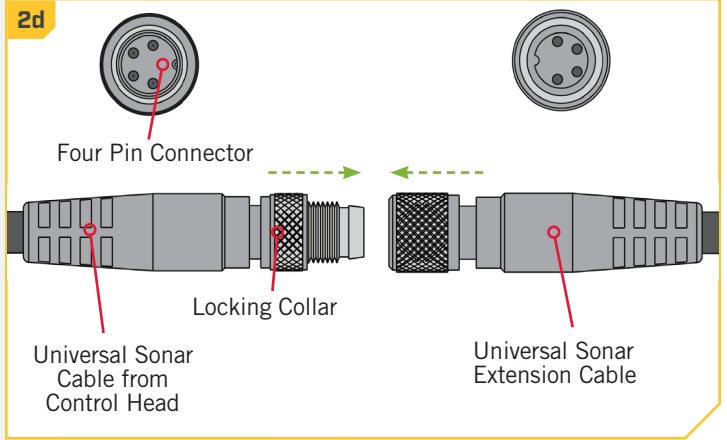
FEATURE OVERVIEW AND CONNECTING THE CABLES

2

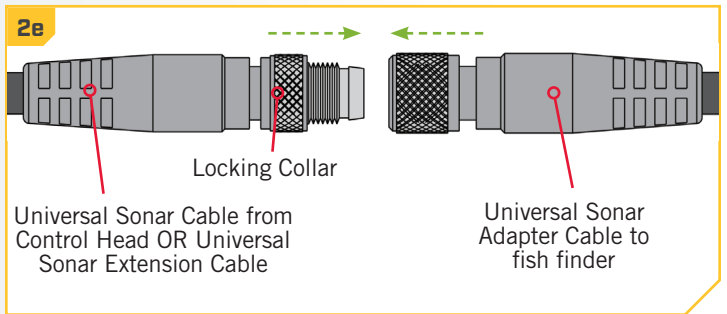
NOTICE: The Universal Sonar Cable may not be long enough to reach the fish finder. If the cable length does not reach the desired fish finder installation location, a 14.5' extension cable is available to purchase. Minn Kota recommends using the MKR-US2-11.

- d. Take the Universal Sonar Extension Cable, if needed, and attach it to the Universal Sonar Cable exiting the Control Head. Firmly push the plug together and twist the locking collar until it is snug.
- e. Install the Universal Sonar Cable that exists the Control Head or the Universal Sonar Extension Cable (if used) to the appropriate Universal Sonar Adapter Cable. Install the Adapter Cable to your fish finder. Refer to your fish finder manual for complete installation instructions.

NOTICE: If any cables need to be routed, please follow the guidelines in the Routing Connection Cables section of these installation instructions.



NOTICE: The connectors are keyed to prevent reversed installation.



i-Pilot Link

i-Pilot Link allows your Minn Kota trolling motor and Humminbird to communicate with each other to change the way you fish. i-Pilot Link delivers a large array of GPS capabilities including controlling speed, steering, Spot-Lock, and the ability to record and retrace paths on the water, all at your fingertips. To learn more about the GPS capabilities available with your i-Pilot Link navigation system, please refer to the Owner's Manual by visiting minnkotamotors.com.

The i-Pilot Link remote and controller make up the i-Pilot Link navigation system. The i-Pilot Link remote comes paired to the controller from the factory. The i-Pilot Link controller contains a very sensitive compass and is where all GPS satellite and i-Pilot Link remote signals are received. The i-Pilot Link controller is contained in the trolling motor Control Head and is connected to a fish finder from a connection cable that exits the Control Head.

The Ethernet cable for the i-Pilot Link system has an 8 pin connector. The i-Pilot Link system can be connected directly to the Humminbird or to the Humminbird Ethernet Switch (optional). If you purchase an Ethernet Switch, install it using the instructions included in the Ethernet Installation Guide. The Ethernet Extension Cable is optional for your installation. To purchase Ethernet switches, Ethernet cables, and extension cables, visit the web site humminbird.com or call Humminbird Customer Service at 1-800-633-1468. Depending on the shape of the Ethernet port on your Humminbird fish finder, an additional ethernet adapter cable (**Ethernet Adaptor Cable AS EC QDE #720074-1 for Helix fish finders**) may be required for the installation. Refer to your fish finder operations manual or see the **i-Pilot Link Compatibility Chart** on our web site with a list of all compatible Humminbird Units and SC Cards.

NOTICE: The i-Pilot Link system needs an external wired connection. The i-Pilot system does not need an external wired connection.

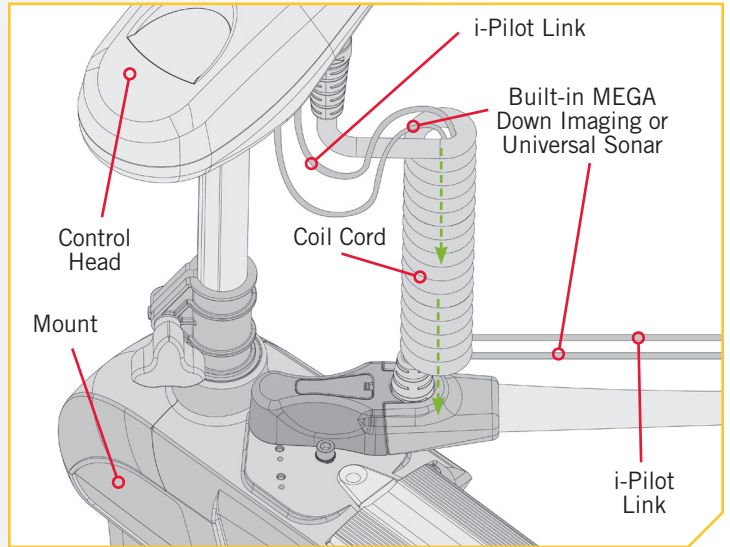
FEATURE OVERVIEW AND CONNECTING THE CABLES

1

- a. Place the motor in the deployed position.
- b. The i-Pilot Link connector from the Control Head is an 8 pin connector. Locate and identify the correct connection for i-Pilot Link, at the base of the Control Head.

NOTICE: i-Pilot Link will be paired with either Built-in MEGA Down Imaging or Universal Sonar on Ultrex, Ulterra or Terrova. i-Pilot Link is not a feature offered on Fortrex motors.

NOTICE: Paired with a Universal Sonar connector for illustration purposes. A Built-in MEGA Down Imaging connector may be present instead.



2

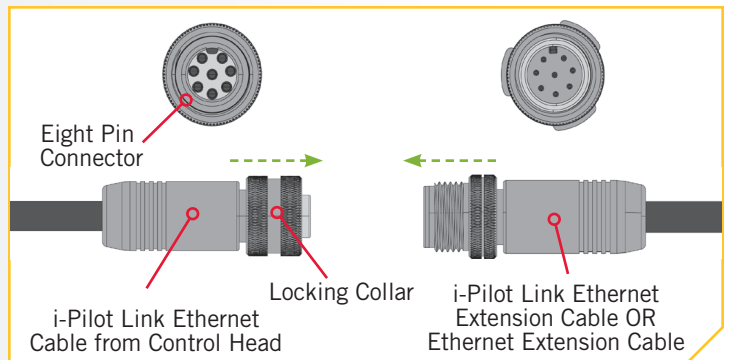
ITEM(S) NEEDED



- c. If necessary, to reach the installed fish finder, take the i-Pilot Link Ethernet Cable (Item #24) and attach it to the i-Pilot Link cable exiting the Control Head.

NOTICE: If any cables need to be routed, please follow the guidelines in the Routing Connection Cables section of these installation instructions.

- d. Install the i-Pilot Link Ethernet Cable directly into the Humminbird fish finder, or refer to your fish finder installation manual for complete installation instructions. If an Adapter Cable is needed (Ethernet Adaptor Cable AS EC QDE for Helix fish finders), install it on the end of the i-Pilot Link Ethernet Cable and refer to your fish finder installation manual for complete installation instructions.



NOTICE: The connectors are keyed to prevent reversed installation.

INSTALLING THE PROP

1

ITEM(S) NEEDED



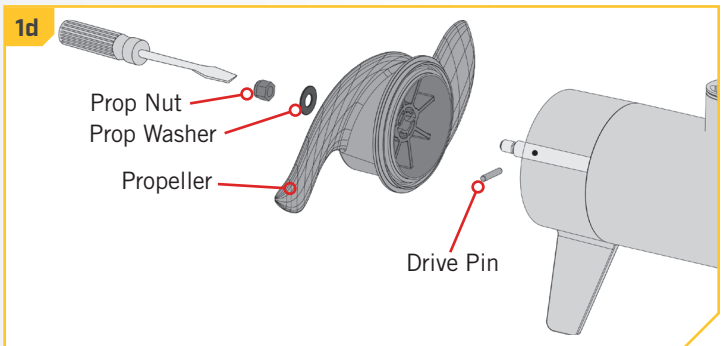
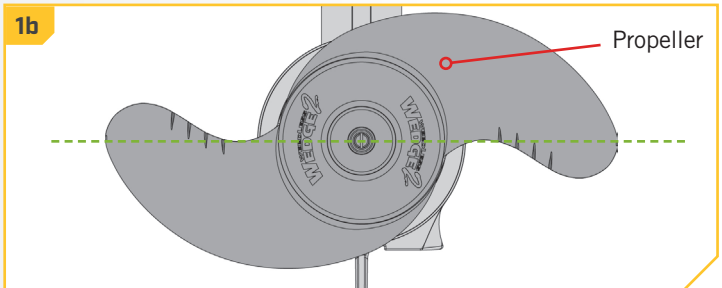
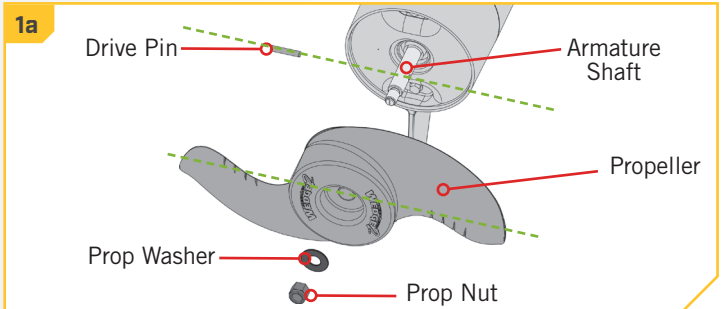
CAUTION

Disconnect the motor from the battery before beginning any prop work.

- Take the Drive Pin (Item #10) and slide it through the Hole in the Armature Shaft. Position the Drive Pin horizontal by grasping the Armature Shaft and rotating it with the Drive Pin in place.
- Align the Propeller (Item #7) so it is also horizontal and parallel with the Drive Pin. Slide the Propeller onto the Armature Shaft and Drive Pin until it is seated against the lower unit.
- Install the Prop Washer (Item #8) and the Prop Nut (Item #9) onto the end of the Armature Shaft.
- Holding the end of the Armature Shaft with a Flat Blade Screwdriver, tighten the Prop Nut with a 9/16" Open End Wrench.
- Tighten the Prop Nut 1/4 turn past snug to 25-35 in-lbs.

CAUTION

Do not over tighten as this can damage the prop.



BATTERY & WIRING INSTALLATION

BOAT RIGGING & PRODUCT INSTALLATION

For safety and compliance reasons, we recommend that you follow American Boat and Yacht Council (ABYC) standards when rigging your boat. Altering boat wiring should be completed by a qualified marine technician. The following specifications are for general guidelines only:

CAUTION

These guidelines apply to general rigging to support your Minn Kota motor. Powering multiple motors or additional electrical devices from the same power circuit may impact the recommended conductor gauge and circuit breaker size. If you are using wire longer than that provided with your unit, follow the conductor gauge and circuit breaker sizing table below. If your wire extension length is more than 25 feet, we recommend that you contact a qualified marine technician.

CAUTION

An over-current protection device (circuit breaker or fuse) must be used. Coast Guard requirements dictate that each ungrounded current-carrying conductor must be protected by a manually reset, trip-free circuit breaker or fuse. The type (voltage and current rating) of the fuse or circuit breaker must be sized accordingly to the trolling motor used. The table below gives recommended guidelines for circuit breaker sizing.

CONDUCTOR GAUGE AND CIRCUIT BREAKER SIZING TABLE

This conductor and circuit breaker sizing table is only valid for the following assumptions:

1. No more than 2 conductors are bundled together inside of a sheath or conduit outside of engine spaces.
2. Each conductor has 105° C temp rated insulation.
3. No more than 5% voltage drop allowed at full motor power based on published product power requirements.

Motor Thrust / Model	Max Amp Draw	Circuit Breaker	Wire Extension Length				
			5 feet	10 feet	15 feet	20 feet	25 feet
30 lb.	30	50 Amp @ 12 VDC	10 AWG	10 AWG	8 AWG	6 AWG	4 AWG
40 lb., 45 lb.	42		10 AWG	8 AWG	6 AWG	4 AWG	4 AWG
50 lb., 55 lb.	50	60 Amp @ 12 VDC	8 AWG	6 AWG	4 AWG	4 AWG	2 AWG
70 lb.	42	50 Amp @ 24 VDC	10 AWG	10 AWG	8 AWG	8 AWG	6 AWG
80 lb.	56	60 Amp @ 24 VDC	8 AWG	8 AWG	8 AWG	6 AWG	6 AWG
101 lb.	46	50 Amp @ 36 VDC	8 AWG	8 AWG	8 AWG	8 AWG	8 AWG
Engine Mount 101	50	60 Amp @ 36 VDC	8 AWG	8 AWG	8 AWG	8 AWG	8 AWG
112 lb.	52	60 Amp @ 36 VDC	8 AWG	8 AWG	8 AWG	8 AWG	8 AWG
Engine Mount 160	116	(2) x 60 Amp @ 24 VDC	6 AWG	6 AWG	4 AWG	2 AWG	2 AWG
E-Drive	40	50 Amp @ 48 VDC	10 AWG	10 AWG	10 AWG	10 AWG	10 AWG

NOTICE: Wire Extension Length refers to the distance from the batteries to the trolling motor leads. Consult website for available thrust options. Maximum Amp Draw values only occur intermittently during select conditions and should not be used as continuous amp load ratings.

Reference

United States Code of Federal Regulations: 33 CFR 183 – Boats and Associated Equipment ABYC E-11: AC and DC Electrical Systems on Boats



SELECTING THE CORRECT BATTERIES

The motor will operate with any lead acid, deep cycle marine 12 volt battery/batteries. For best results, use a deep cycle, marine battery with at least a 105 amp-hour rating. Maintain battery at full charge. Proper care will ensure having battery power when you need it, and will significantly improve the battery life. Failure to recharge lead-acid batteries (within 12-24 hours) is the leading cause of premature battery failure. Use a multi-stage charger to avoid overcharging. We offer a wide selection of chargers to fit your charging needs. If you are using a crank battery to start a gasoline outboard, we recommend that you use a separate deep cycle marine battery/batteries for your Minn Kota trolling motor. For more information on battery selection and rigging, please visit minnkotamotors.com.

WARNING

Never connect the (+) and the (-) terminals of the same battery together. Take care that no metal object can fall onto the battery and short the terminals. This would immediately lead to a short and extreme fire danger.

CAUTION

Refer to "Conductor Gauge and Circuit Breaker Sizing Table" in the previous section to find the appropriate circuit breaker or fuse for your motor. For motors requiring a 60-amp breaker, the Minn Kota MKR-19 60-amp circuit breaker is recommended.

CAUTION

Please read the following information before connecting your motor to your batteries in order to avoid damaging your motor and/or voiding your warranty.

ADDITIONAL CONSIDERATIONS

Using Alternator Chargers

Your Minn Kota trolling motor may be designed with an internal bonding wire to reduce sonar interference. Most alternator charging systems do not account for this bonding wire, and connect the negative posts of the trolling motor batteries to the negative posts of the crank/starting battery. These external connections can damage connected electronics and the electrical system of your trolling motor, voiding your warranty. Review your charger's manual carefully or consult the manufacturer prior to use to ensure your charger is compatible.

Minn Kota recommends using Minn Kota brand chargers to recharge the batteries connected to your Minn Kota trolling motor, as they have been engineered to work with motors that include a bonding wire.

Additional Accessories Connected to Trolling Motor Batteries

Significant damage to your Minn Kota motor, your boat electronics, and your boat can occur if incorrect connections are made between your trolling motor batteries and other battery systems. Minn Kota recommends using an exclusive battery system for your trolling motor. Where possible, accessories should be connected to a separate battery system. Radios and sonar units should not be connected to any trolling motor battery systems as interference from the trolling motor is unavoidable. If connecting any additional accessories to any trolling motor battery system, or making connections between the trolling motor batteries and other battery systems on the boat, be sure to carefully observe the information below.

The negative (-) connection must be connected to the negative terminal of the same battery that the trolling motor negative lead connects to. In the diagrams below this battery is labeled "Low Side" Battery. Connecting to any other trolling motor battery will input

CONNECTING THE BATTERIES IN SERIES

positive voltage into the “ground” of that accessory, which can cause excess corrosion. Any damage caused by incorrect connections between battery systems will not be covered under warranty.

› Automatic Jump Start Systems and Selector Switches

Automatic jump start systems and selector switches tie the negatives of the connected batteries together. Connecting these systems to the “High Side” Battery or “Middle” Battery in the diagrams below and will cause significant damage to your trolling motor and electronics. The only trolling motor battery that is safe to connect to one of these systems is the “Low Side” Battery.

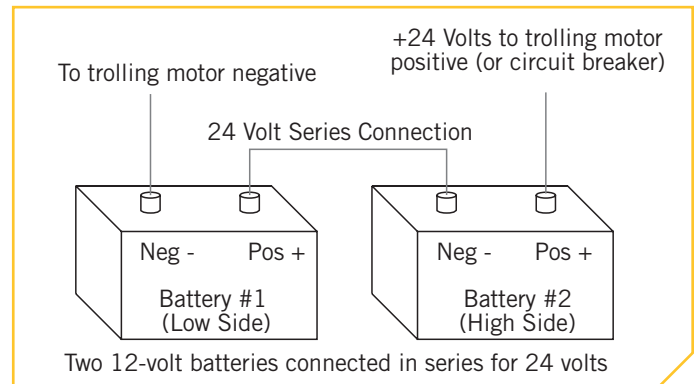
NOTICE: The internal bonding wire is equipped with a 3 amp fuse. Improper connections described above carrying in excess of 3 amps will blow this fuse and no further damage will be exhibited. If this occurs, RF interference from the trolling motor affecting sonar units and other electronics will be more significant. If the fuse is blown the wiring error should be found and addressed prior to replacing the fuse. The replacement fuse should be 3 amps or less. An intact fuse does not imply correct rigging; significant damage can be done by incorrect wiring without approaching 3 amps of current.

CONNECTING THE BATTERIES IN SERIES (IF REQUIRED FOR YOUR MOTOR)

› 24 Volt Systems

Two 12 volt batteries are required. The batteries must be wired in series, only as directed in wiring diagram, to provide 24 volts.

1. Make sure that the motor is switched off (speed selector on “0”).
2. Connect a connector cable to the positive (+) terminal of battery 1 and to the negative (-) terminal of battery 2.
3. Connect positive (+) red motor lead to positive (+) terminal on battery 2.
4. Connect negative (-) black motor lead to negative (-) terminal of battery 1.



WARNING

For safety reasons do not switch the motor on until the propeller is in the water. If installing a leadwire plug, observe proper polarity and follow instructions in your boat owner’s manual.

WARNING

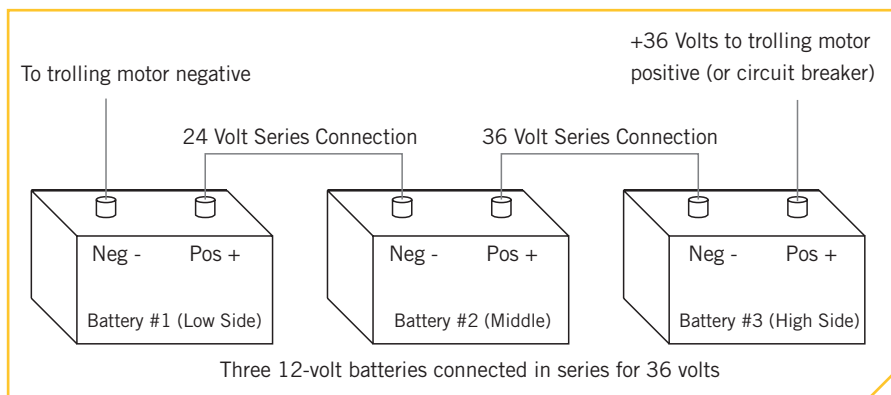
- For safety reasons, disconnect the motor from the battery or batteries when the motor is not in use or while the battery/batteries are being charged.
- Improper wiring of 24/36 volt systems could cause battery explosion.
- Keep leadwire wing nut connections tight and solid to battery terminals.
- Locate battery in a ventilated compartment.

CONNECTING THE BATTERIES IN SERIES

› 36 Volt Systems

Three 12 volt batteries are required. The batteries must be wired in series, only as directed in wiring diagram, to provide 36 volts.

1. Make sure that the motor is switched off (speed selector on "0").
2. Connect a connector cable to the positive (+) terminal of battery 1 and to the negative (-) terminal of battery 2 and another connector cable from the positive (+) terminal of battery 2 to the negative (-) terminal of battery 3.
3. Connect positive (+) red motor lead to positive (+) terminal on battery 3.
4. Connect negative (-) black motor lead to negative (-) terminal of battery 1.



WARNING

For safety reasons do not switch the motor on until the propeller is in the water. If installing a leadwire plug, observe proper polarity and follow instructions in your boat owner's manual.

WARNING

- For safety reasons, disconnect the motor from the battery or batteries when the motor is not in use or while the battery/batteries are being charged.
- Improper wiring of 24/36 volt systems could cause battery explosion.
- Keep leadwire wing nut connections tight and solid to battery terminals.
- Locate battery in a ventilated compartment.

This completes the installation of your Ultrex. A complete Owner's Manual can be downloaded at minnkotamotors.com.

RECOMMENDED ACCESSORIES

ON-BOARD & PORTABLE BATTERY CHARGERS

Stop buying new batteries and start taking care of the ones you've got. Many chargers can actually damage your battery over time – creating shorter run times and shorter overall life. Digitally controlled Minn Kota chargers are designed to provide the fastest charge that protect and extend battery life.



MK212PC



MK210D



MK110PD

TALON SHALLOW WATER ANCHOR

Introducing the all-new, sleek redesigned Talon. Talon is the only shallow water anchor with up to 15' of anchoring depth, multiple anchoring modes, and control from the bow, transom, console, remote or mobile device.



BUILT-IN WORK LIGHT

Lets you tie lines and work from the transom any time of day — or night. Includes both white and blue LED lights with three brightness settings.



UP TO 15' DEEP

Control more water and catch more fish with the first 15' shallow water anchor.



MORE CONTROL OPTIONS

- Control Panel
- Wireless Remote
- Mobile App
- Wireless Foot Switch
- Humminbird® Connectivity
- i-Pilot® & i-Pilot Link™ Remote



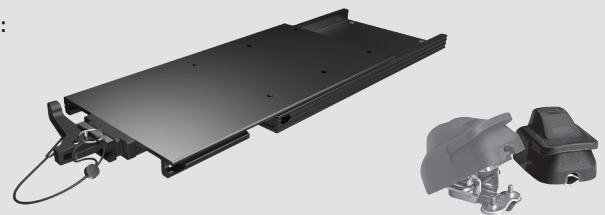
BLUETOOTH® CONNECTIVITY

Lets you control Talon from your mobile device and easily update it. Also opens up communication to other control options.

MINN KOTA ACCESSORIES

We offer a wide variety of trolling motor accessories, including:

- 60-Amp Circuit Breaker
- Mounting Brackets
- Stabilizer Kits
- Extension Handles
- Battery Connectors
- Battery Boxes
- Quick Connect Plugs

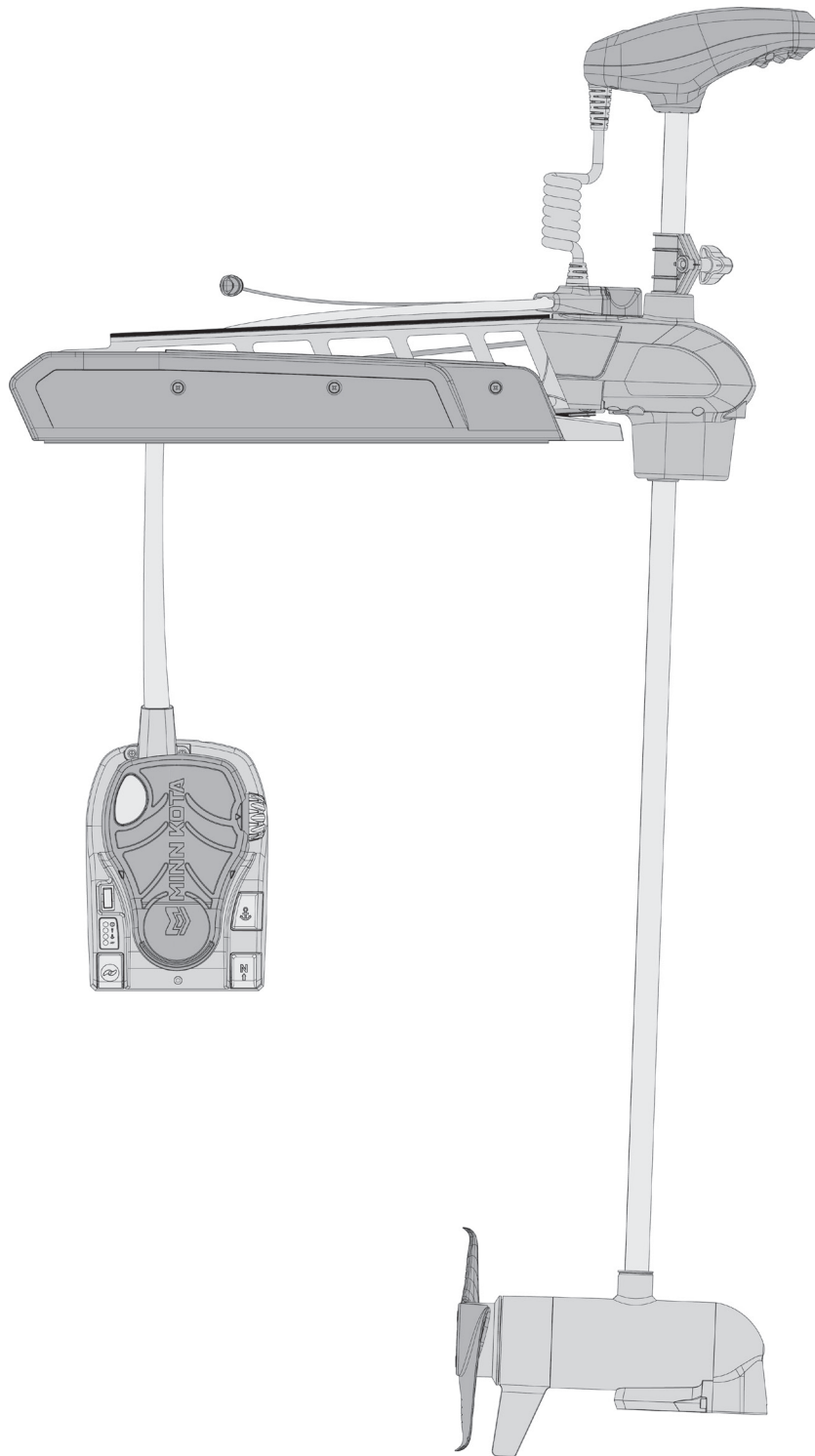


Minn Kota Consumer & Technical Service
Johnson Outdoors Marine Electronics, Inc.
PO Box 8129
Mankato, MN 56001

121 Power Drive
Mankato, MN 56001
Phone (800) 227-6433
Fax (800) 527-4464



©2018 Johnson Outdoors Marine Electronics, Inc.
All rights reserved.



ULTREX™

MOTEUR DE PÊCHE À LA TRAÎNE MONTÉ SUR L'ÉTRAVE

Instructions d'installation

INTRODUCTION

MERCI

Nous vous remercions d'avoir choisi Minn Kota. Nous sommes persuadés que vous devriez consacrer plus de temps à pêcher et moins de temps à amarrer votre embarcation. C'est pourquoi nous construisons les propulseurs électriques les plus intelligents, les plus solides et les plus faciles à utiliser. Chaque aspect d'un propulseur électrique Minn Kota est réfléchi et étudié jusqu'à ce qu'il soit digne de porter notre nom. Nous avons investi des heures incalculables de recherche et d'essais pour vous offrir les avantages caractéristiques de Minn Kota, qui vous mène vraiment n'importe où, et n'importe quand. Notre principe est simple, nous faisons les choses selon les règles. Nous sommes Minn Kota. Et nous ne cesserons jamais de vous aider à pêcher plus de poissons.

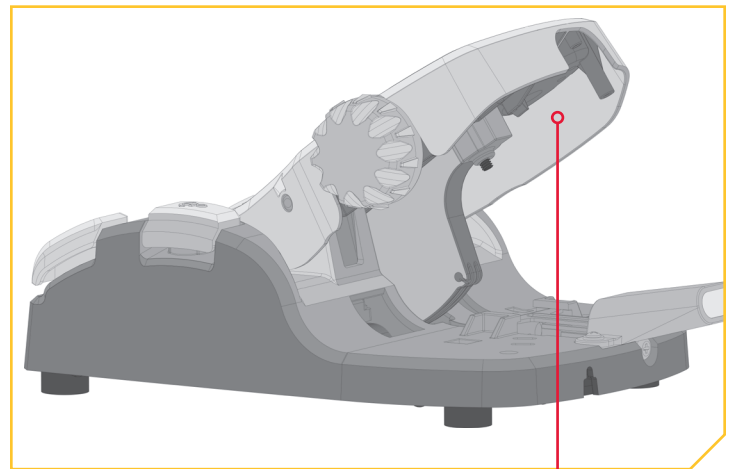
ENREGISTREMENT

N'oubliez pas de conserver votre reçu et d'enregistrer immédiatement votre propulseur électrique. Une fiche d'enregistrement est fournie avec votre moteur; vous pouvez également effectuer l'enregistrement sur notre site Web à minnkotamotors.com.

NUMÉRO DE SÉRIE

Le numéro de série à 11 caractères Minn Kota est très important. Cela permet de déterminer le modèle spécifique et l'année de fabrication. Lorsque vous contactez le Service à la clientèle ou que vous enregistrez votre article, vous aurez besoin du numéro de série de votre article. Nous vous suggérons de noter le numéro de série afin qu'il soit disponible à des fins de référence future.

AVIS: Le numéro de série de votre Ultrex se trouve sous la pédale.



INFORMATIONS MOTOR (Pour la consommation de référence seulement)

Modèle : _____

Numéro de Série : _____

Date de l'achat : _____

Magasin où l'achat a été effectué : _____

AVIS: Ne retournez pas votre moteur Minn Kota au détaillant. Le détaillant n'est pas autorisé à réparer ou à remplacer cet appareil. Pour le service : communiquer avec Minn Kota au (800) 227-6433; retourner le moteur au Centre de service de l'usine de Minn Kota; envoyer ou apporter le moteur à un centre de service agréé de Minn Kota. Une liste de centres de service agréés est disponible sur notre site Web, à minnkotamotors.com. Pour obtenir un service au titre de la garantie, y compris toutes les options susmentionnées, veuillez inclure la preuve d'achat, le numéro de série et la date de l'achat.

CONSIGNES DE SÉCURITÉ

Veillez lire attentivement ce manuel de l'utilisateur. Suivez toutes les instructions, et respectez toutes les consignes de sécurité et mises en garde. L'utilisation de ce moteur n'est autorisée que pour les personnes qui ont lu et compris ces consignes pour l'utilisateur. Les personnes mineures peuvent utiliser ce moteur uniquement sous la supervision d'un adulte.

AVERTISSEMENT

Vous seul êtes responsable de la navigation sécuritaire et prudente sur votre bateau. Nous avons conçu votre Minn Kota pour qu'il soit un outil précis et fiable qui vous permettra d'améliorer l'utilisation de votre bateau et d'accroître votre capacité de pêcher des poissons. Ce produit ne vous exonère pas de la responsabilité de naviguer en toute sécurité avec votre bateau. Vous devez éviter les dangers liés à la navigation et toujours exercer une veille permanente afin de pouvoir réagir au fur et à mesure que les situations se présentent. Vous devez toujours être prêt à reprendre le contrôle manuel de votre bateau. Apprenez à utiliser votre Minn Kota dans une zone exempte de dangers et d'obstacles.

AVERTISSEMENT

Ne faites jamais fonctionner le moteur hors de l'eau, puisque cela entraînerait des blessures causées par l'hélice en rotation. Le moteur doit être débranché de la source d'alimentation lorsqu'il n'est pas utilisé ou lorsqu'il est hors de l'eau. Au moment de brancher les câbles d'alimentation du moteur à la batterie, veiller à ce qu'ils ne soient pas entortillés ou exposés au frottement, puis les placer de telle manière que personne ne risque de trébucher. Avant d'utiliser le moteur, s'assurer que l'isolant des câbles d'alimentation n'est pas endommagé. Ne pas tenir compte de ces mesures de sécurité peut entraîner des courts-circuits avec les batteries et/ou le moteur. Toujours débrancher le moteur des batteries avant le nettoyage ou la vérification de l'hélice. Éviter de submerger complètement le moteur, car l'eau pourrait pénétrer dans l'appareil inférieur par la tête de contrôle et l'arbre. Si le moteur est utilisé alors que de l'eau est présente dans l'appareil inférieur, ce dernier pourrait subir des dommages considérables. Ces dommages ne seront pas couverts par la garantie.

AVERTISSEMENT

Veillez à ce que ni vous, ni les autres personnes ne s'approchent trop près de l'hélice en rotation, que ce soit seulement avec une partie du corps ou des objets. Le moteur est puissant et pourrait provoquer des situations périlleuses ou des blessures, pour vous ou les autres. Lorsque le moteur est en marche, se méfier des objets flottants ou des personnes qui pourraient être en train de nager. Les personnes, dont les réactions ou la capacité à faire fonctionner le moteur est/sont affaiblie (s) par l'alcool, la drogue, les médicaments ou d'autres substances, ne sont pas autorisées à utiliser ce moteur. Ce moteur n'est pas adapté à l'utilisation dans de forts courants. Le niveau de pression sonore constant du moteur au moment de l'utilisation est inférieur à 70 dB (A). Le niveau de vibration général ne dépasse pas 2,5 m/s².

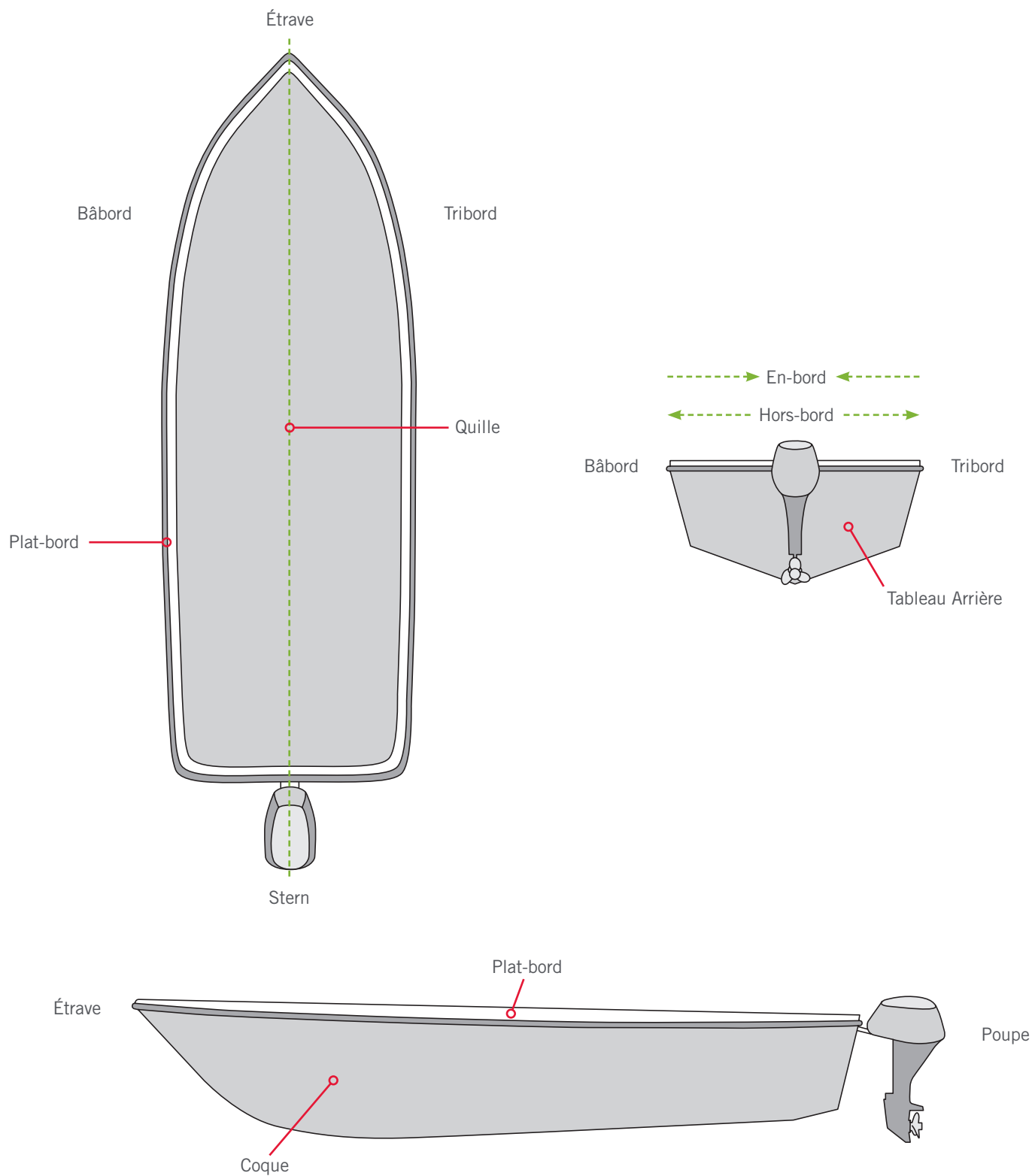
AVERTISSEMENT

Lorsque vous remontez ou abaissez le moteur, gardez vos doigts loin de toutes charnières et tous points de pivot ainsi que de toutes pièces mobiles. En cas d'opération imprévue, retirez les câbles d'alimentation à la batterie.

AVERTISSEMENT

Il est recommandé d'utiliser exclusivement les accessoires approuvés par Johnson Outdoors avec votre moteur Minn Kota. L'utilisation d'accessoires non approuvés, y compris pour monter ou contrôler votre moteur, pourrait causer des dommages, un fonctionnement inattendu du moteur et des blessures. Veillez à utiliser le produit ainsi que les accessoires approuvés, y compris les télécommandes, en toute sécurité et de la manière indiquée pour éviter les accidents ou un fonctionnement inattendu du moteur. Ne retirez pas les pièces installées en usine, y compris les couvercles, boîtiers et protections du moteur et des accessoires.

CONNAISSEZ VOTRE BATEAU



INSTALLATION

INSTALLATION DE L'ULTREX

Votre nouveau Ultrex est offert avec tout ce dont vous aurez besoin pour le montage direct au bateau. Ce moteur peut être monté directement sur le bateau ou couplé avec un support à dégagement rapide Minn Kota pour un montage et un démontage simples. Pour l'installation avec un support à dégagement rapide, vous reporter aux directives d'installation fournies avec le support. Pour obtenir des supports de montage à dégagement rapide, veuillez visiter minnkotamotors.com. Pour installer le moteur directement sur le bateau, veuillez suivre les directives fournies avec ce manuel. Avant de commencer, veuillez examiner la liste des pièces et des outils nécessaires à l'installation. Pour obtenir davantage de soutien pour les produits et trouver le concessionnaire le plus près, veuillez visiter minnkotamotors.com.

LISTE DE PIÈCES D'INSTALLATION

Article/Assemblage	N° de Pièce	Description	Qté.
1	2994075 ♦	REMOTE ASSEMBLY, iPILOT	1
2	2994076 ●	REMOTE ASSEMBLY LINK TOUCHSCREEN	1
3	✱	MOTOR ASSEMBLY	1
A	2994887	INSTALLATION HARDWARE BAG ASSEMBLY	1
4	2263468	1/4 - 20 X 2.5" SS PPH SCREW	6
5	2263103	1/4 - 20 SS NYLOCK NUT	6
6	2261713	1/4 FLAT 18-8 SS WASHER	6
AA	1378132	80# THRUST PROP KIT	1
BB	1378160	112# THRUST PROP KIT	1
7	2341160	PROP-WW2 (4.5)W/ADP.RING	1
8	2091701	WASHER-PROP (LARGE)	1
9	2093101	NUT-PROP NYLOC.LG, MX101 3/8 SS	1
10	2262658	PIN-DRIVE 1" 3/16" S/S	1
C	2991925	BRACKET STABILZR ARM ASY (SUB)	1
11	22655100	BUMPER STABILIZER	1
12	2263624	STABILIZER ROD	1
13	2263107	NYLON HEX NUT 3/4 - 10 UNC	1
14	2281829	BRACKET	1
15	2260221	VINYL CAP	1
16	2223100	NUT 5/16-18 NYLOCS SS	2
17	2263422	BOLT 5/16-18 X 1" SS CAP SCREW	2
18	2281700	5/16 "ID X .457 OD HIGH COLLAR LOCK WASHER	2
19	2390800 ♦●	LANYARD, REMOTE W/ CARABEENER	1
20	2773806	STRAP, HOLD DOWN	1
21	2373241 ●	CABLE, USB REMOTE CHARGER LINK	1
22	2375901 ●	ADAPTER, USB DC POWER LINK	1
23	2996400 ♦●	HEADING SENSOR ASSEMBLY	1
24	490389-1 ●	CABLE, ETH (M12-M-M12-F, 30')	1
D	2994912	BAG ASSY, FORTREX MOUNT HDW	1
25	2283410	SCREW-1/4-20 X .500" PFH	2
26	2281710	SPACER, GAS SPRING, FORTREX	2
27	2282610	PIN, UPPER SHOCK	1
▲	2397106 ♦	MANUAL, QUICK REF., iPILOT 1.6	1
▲	2397107 ●	MANUAL-QUICK REF., iPILOT 3.0	1
▲	2997161	INSTALLATION GUIDE, ULTREX	1
E	2991642	MOUNT ASM ULTREX FW 112# 45"	1
F	2991640	MOUNT ASM ULTREX FW 80# 45"	1
G	2991641	MOUNT ASM ULTREX FW 80# 52/60"	1
H	2991643	MOUNT ASM ULTREX FW 112# 52/60"	1
32	2211415 +	CABLE-EXTENSION, PD/AP 110" *PRE-INSTALLED*	1
	490507-1 →	CABLE, ADP-INT MDI 14 M12-120" *PRE-INSTALLED*	1

▲ Non visible sur le schéma des pièces.

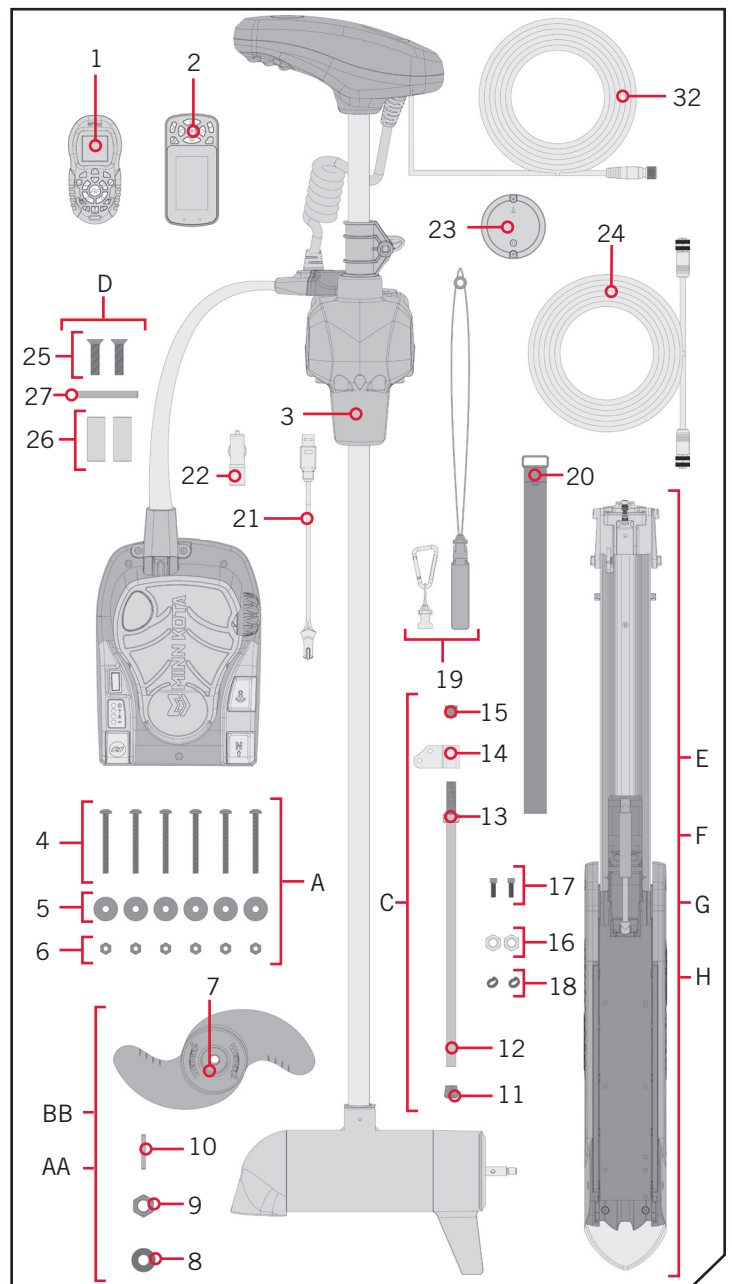
✱ Cette pièce est incluse dans un ensemble et ne peut pas être commandée individuellement.

♦ Uniquement disponible avec les modèles possédant un système i-Pilot installé en usine.

● Uniquement disponible avec les modèles possédant un i-Pilot Link installé en usine.

+ Uniquement disponible avec les modèles possédant un Universal Sonar installé en usine.

→ Uniquement disponible avec les modèles possédant un système MEGA Down Imaging incorporé installé en usine.



ASSEMBLAGE DU MOTEUR AU SUPPORT

FACTEURS DE MONTAGE

Il est recommandé que le moteur soit monté aussi près que possible de la quille ou de l'axe du bateau. Vérifiez que la zone sous l'emplacement pour percer des trous et installer des rondelles et des écrous est dégagée. Assurez-vous que le support du moteur est positionné assez loin du bord du bateau. Le moteur ne doit rencontrer aucune obstruction lorsqu'il est dans l'eau ou relevé. Envisagez l'installation d'un support à dégagement rapide ou un adaptateur. Pour la liste complète des accessoires Minn Kota, veuillez visiter minnkotamotors.com.



Découvrez les accessoires disponibles pour votre propulseur électrique sur minnkotamotors.com.

OUTILS ET RESSOURCES NÉCESSAIRES

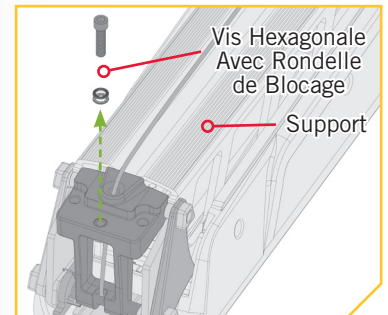
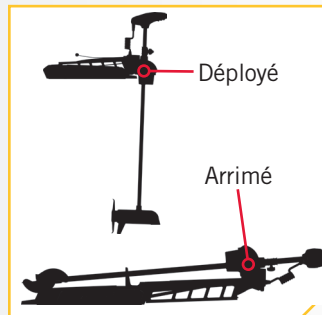
- Tournevis Phillips n° 2
- (2) Tournevis Phillips n° 3
- Clé Hexagonale de 1/4 po (6,35 mm)
- Perceuse
- Mèche de 9/32 po (7,14 mm)
- Clé Polygonale de 7/16 po (11,11 mm)
- Clé Dynamométrique
- Lime ou Papier Sablé
- Scie à Métaux (3,17 mm)
- Crayon ou Marqueur
- Tournevis plat 1/8 po (3,17 mm)
- Clé hexagonale de 1/8 po
- Loctite
- Clé plate 9/16 po (14,29 mm)
- Tournevis à lame plate

INSTALLATION

Assemblage du Moteur au Support

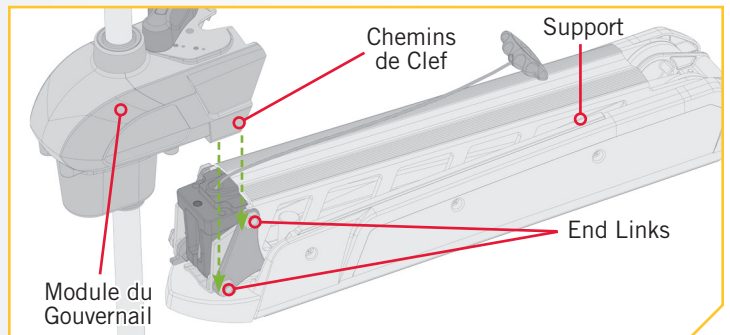
1

- Placez le support sur une surface élevée, de niveau comme un établi ou le hayon d'une camionnette. Le support, une fois retiré de la boîte, doit être en position déployée.
- Retirez la vis hexagonale 5/16 po (7,94 mm) et la rondelle de blocage du support à l'aide de la clé hexagonale 1/4 po (6,35 mm). La vis hexagonale 5/16 po (7,94 mm) se trouve sur le côté opposé du support depuis la charnière qui s'ouvre et se ferme lorsque le support est arrimé et déployé.



2

- Alignez les chemins de clef sur l'intérieur du module du gouvernail avec les biellets de bout sur le support. Faites-le en positionnant le module du gouvernail au-dessus des biellets de bout sur le support.
- Abaissez l'ensemble du moteur jusqu'à ce que le module du gouvernail soit assis.



AVERTISSEMENT

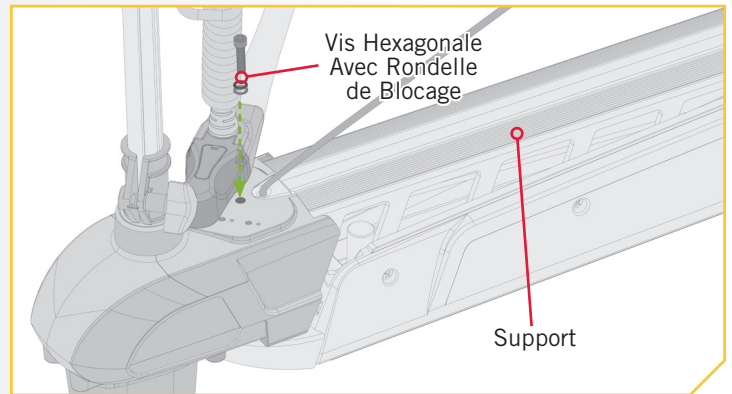
Délicatement, abaissez le module du gouvernail en place pour éviter de créer un point de pincement entre le module du gouvernail et le support.

INSTALLATION DU SUPPORT À L'ÉTRAVE

3

- e. Reposez la vis hexagonale 5/16 po (7,94 mm) et la rondelle de blocage puis serrez entre 18 et 20 pi-lb (24,4 et 27,1 Nm) avec une clé de serrage.

AVIS: La vis hexagonale 5/16 po (7,94 mm) doit être serrée lors de l'installation et régulièrement serrée entre 18 à 20 pi-lb. Ceci permet d'arrimer correctement le moteur. Serrer la vis hexagonale lorsque le support est en position déployée.



Installation du Support à l'étrave

Pendant l'installation, il est recommandé de monter le moteur au bateau avant d'installer la goupille du ressort à gaz. La goupille du ressort à gaz est installée dans le cylindre du ressort à gaz. Le cylindre du ressort à gaz se trouve sur l'intérieur du bras externe, qui fait partie du support. À ce stade de l'installation, le cylindre du ressort à gaz n'est pas complètement installé et peut se déplacer à l'intérieur du support lors de l'arrimage et le déploiement du moteur. Le cylindre du ressort à gaz peut s'endommager pendant le déploiement du moteur et le dommage empêchera la fonctionnalité Lift-Assist d'opérer correctement une fois complètement assemblée. Veillez à ce que le cylindre du ressort à gaz ne soit pas endommagé par le support.

1

ARTICLE(S) REQUIS

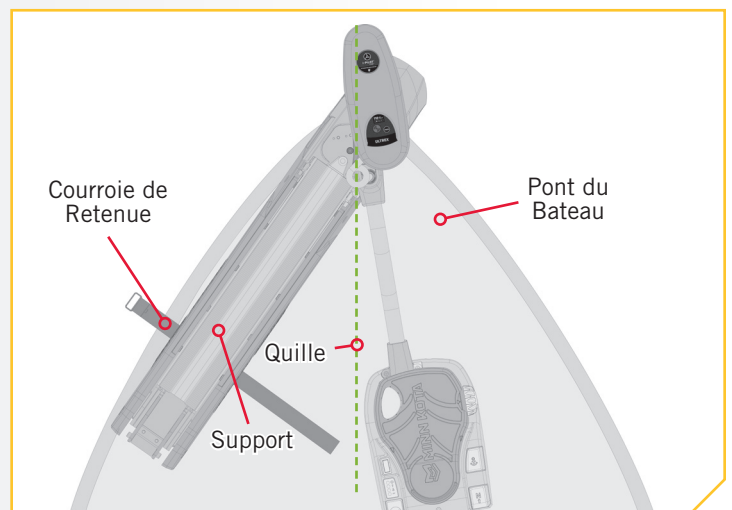
 #20 x 1

- a. Relisez les facteurs de montage au début de la section Installation pour savoir l'emplacement qui convient. Placez le support aussi près que possible de l'axe central ou de la quille du bateau, avec le moteur en position arrimée, sur le pont du bateau. Vérifiez l'emplacement avec le moteur dans la position arrimée et déployée.

ATTENTION

Le cylindre du ressort de gaz peut s'endommager dans le support pendant l'arrimage ou le déploiement du moteur, car il n'est pas complètement installé. Un dommage empêchera la fonctionnalité Lift-Assist d'opérer correctement une fois complètement assemblée. Veillez à ce que le cylindre du ressort de gaz ne soit pas endommagé en le gardant à l'intérieur du bras externe du support.

- b. Placez la courroie de retenue (Article n° 20) sous la base de la plaque du support de manière à ce qu'elle soit placée sous le support.

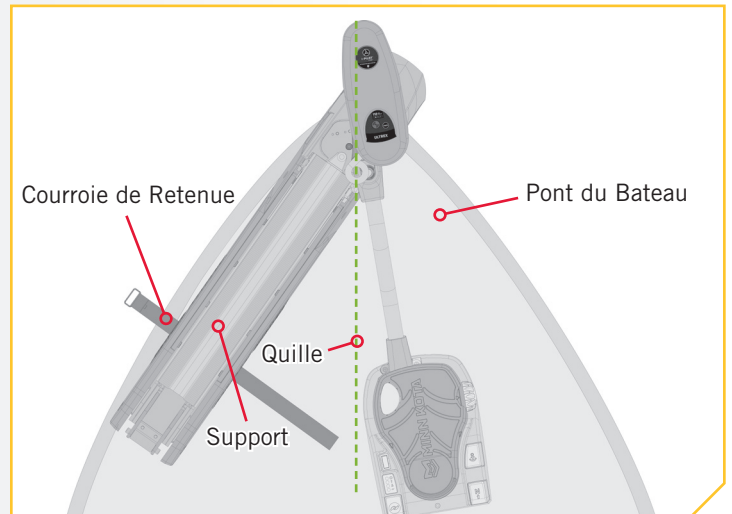


AVIS: Ce moteur pèse environ 55 lb (25 kg). Une deuxième personne pour vous aider avec l'installation.

INSTALLATION DU SUPPORT À L'ÉTRAVE

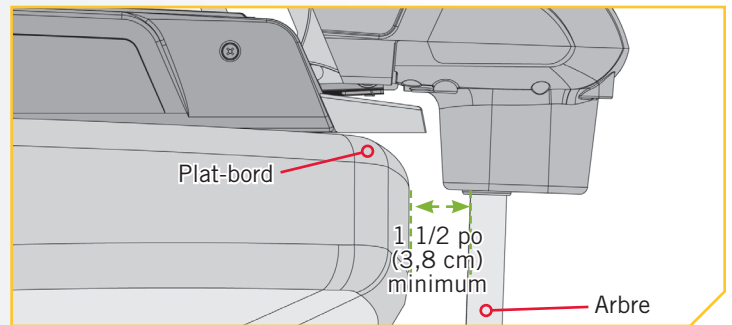
2

- c. Le support peut être installé soit sur le côté bâbord ou tribord du bateau selon la préférence personnelle. Faites un test de l'emplacement de la courroie de retenue pour s'assurer qu'elle peut retenir le support tel s'installé. On peut placer la boucle sur la courroie de retenue soit en-bord ou hors-bord selon sa préférence personnelle. Le crochet et la boucle sur la fixation devraient être tournés vers le bas pour que la courroie de retenue fonctionne.



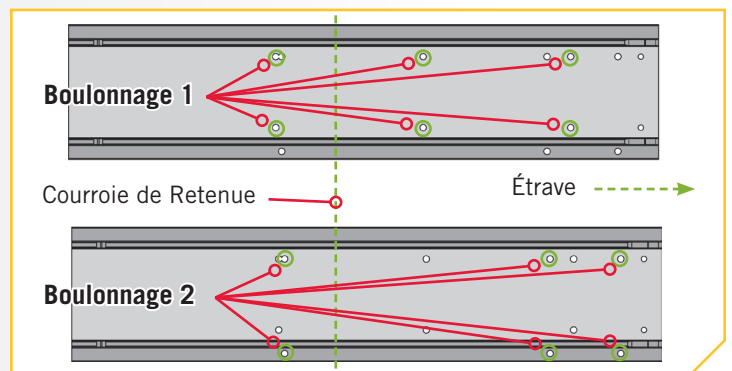
3

- d. Vérifiez l'emplacement avec le moteur en position déployée. Lorsque le moteur est en position déployée, veillez à ce que l'arbre dépasse le plat-bord de 1 1/2 po (3,8 cm). L'appareil inférieur lorsque arrimé et déployé ne doit pas rencontrer d'obstacles.
- e. Vérifiez l'emplacement de la courroie de retenue lorsque le moteur est en position déployée et ajustez, si nécessaire.



4

- f. Une fois que le support est en position, déterminez quel boulonnage utiliser. Le boulonnage choisi dépendra de l'espace disponible sur le pont du bateau.
- g. Il est recommandé de marquer au moins 4 des 6 trous dans la base du support et dont deux boulons sur chaque côté qui sont le plus éloignés l'un de l'autre sur la plaque du support. Une installation idéale serait d'utiliser 6 boulons avec un minimum de 4.
- h. Percez le pont du bateau à l'aide d'une perceuse 9/32 po (7,4 mm) aux endroits marqués.
- i. Veillez à ce que la courroie de retenue sous la base de la plaque du support repose bien entre le deuxième et le troisième jeu de boulons conformément au boulonnage choisi. Revérifiez qu'il peut se refermer autour du support lorsqu'arrimé.



AVIS: Si le boulonnage 2 est utilisé, la plaque de droite doit être enlevée pour accéder aux trous de fixation de la plaque du support.

INSTALLATION DE LA GOUPILLE DU RESSORT À GAZ

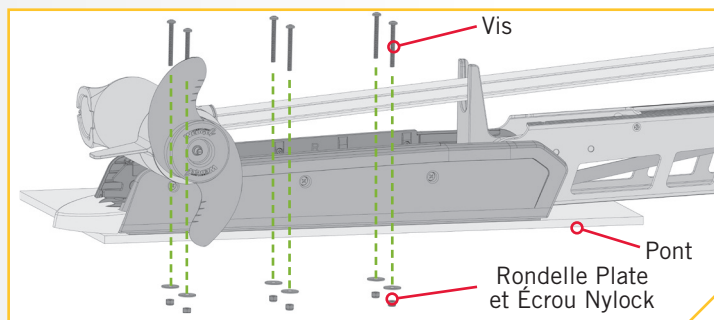
5

ARTICLE(S) REQUIS

○ #6 x 6 ● #5 x 6 | #4 x 6

- j. Mettre une vis 1/4-20 x 2 1/2 po (0,635-20 x 50,8 mm) (Article n° 4) dans chaque trou percé. La vis devrait traverser la plaque de support et le pont du bateau.
- k. Placez une rondelle plate (Article n° 5) puis un écrou Nylock (Article n° 6) au bout de chaque vis comme illustré et fixez. Veillez à ce que toute la quincaillerie soit bien fixée.

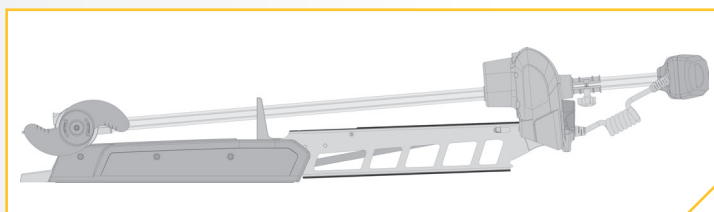
AVIS: Pour prévenir le grippage de la quincaillerie en acier inoxydable, n'utilisez pas d'outils haute vitesse pour l'installation. Le fait de mouiller les vis ou d'appliquer un antigrippant peut aider à prévenir qu'elles grippent.



Installation de la Goupille du Ressort à Gaz

1

- a. Positionnez le moteur en position arrimée avec la poignée et corde de traction pour désengager la barre de verrouillage, permettant au moteur de se replier en position à plat.
- b. Lorsqu'il est en position arrimée ou à plat, la goupille du ressort à gaz et les entretoises peuvent être installées.



INDEXATION DU MOTEUR

5

ARTICLE(S) REQUIS

 #25 x 2

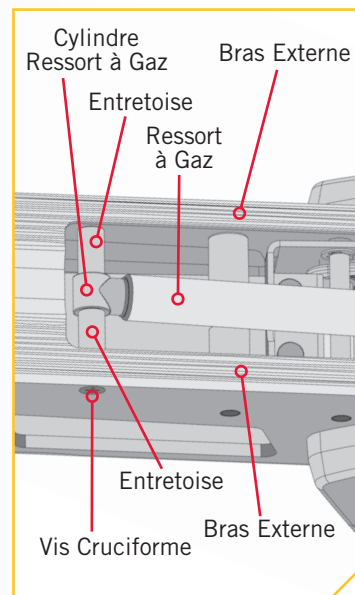
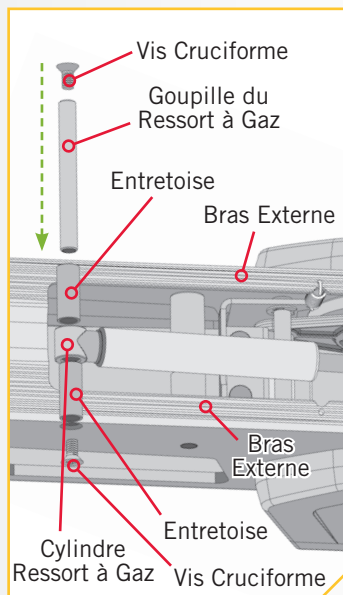
 #26 x 2

 #27 x 1

- c. Localisez la goupille du ressort à gaz supérieure (Article n° 27) et les entretoises (Article n° 26) dans le sachet d'assemblage. Alignez l'extrémité du ressort à gaz avec les trous dans le bras externe.
- d. Installez la goupille du ressort à gaz à travers le bras externe, puis à travers l'entretoise, l'extrémité du cylindre du ressort à gaz et une autre entretoise.

AVIS: Les entretoises sont placées de chaque côté du ressort à gaz à l'intérieur du bras externe. Les vis cruciformes sont pourvues d'un produit frein-filet. N'endiguez pas d'autre produit frein-filet dessus qui risquerait d'empêcher leur dépose ultérieure.

- e. Installez une vis cruciforme (Article n° 25) sur chaque extrémité de la goupille du ressort à gaz et fixez avec deux tournevis cruciformes n° 3.
- f. Serrez les vis cruciformes jusqu'à ce que les têtes soient égales à l'arbre externe.

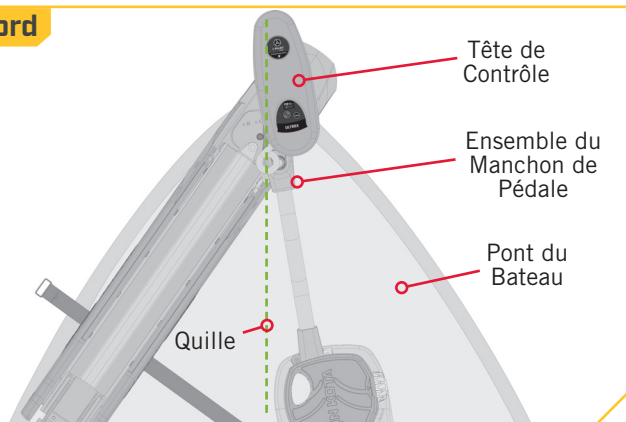


Indexation du Moteur

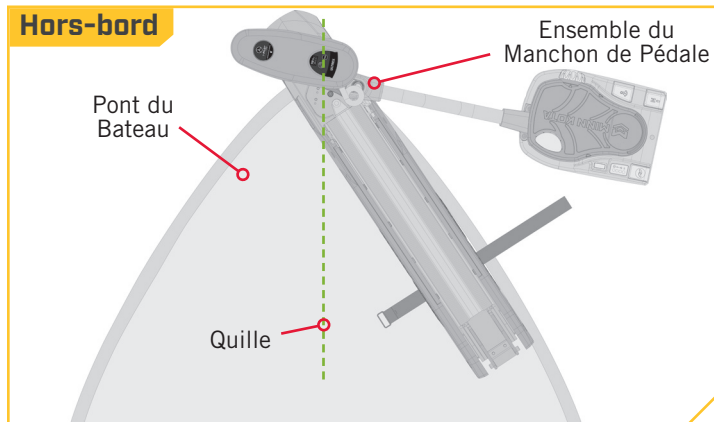
Il est recommandé que l'ensemble du manchon de pédale pointe vers l'en-bord. Si l'ensemble du manchon de pédale pointe vers le hors-bord, veuillez vous reporter à Orienter l'ensemble de la pédale pour un support hors-bord. Utilisez les directives suivantes pour indexer le moteur si l'ensemble du manchon de pédale est déjà monté en-bord.

Une fois installé, le système est indexé lorsque le moteur est déployé et la tête du moteur ainsi que l'appareil inférieur s'alignent avec l'axe central ou la quille du bateau en même temps, le haut de la pédale est parallèle avec le pont du bateau.

En-bord

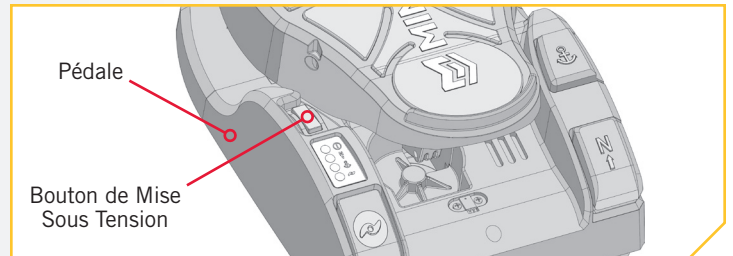
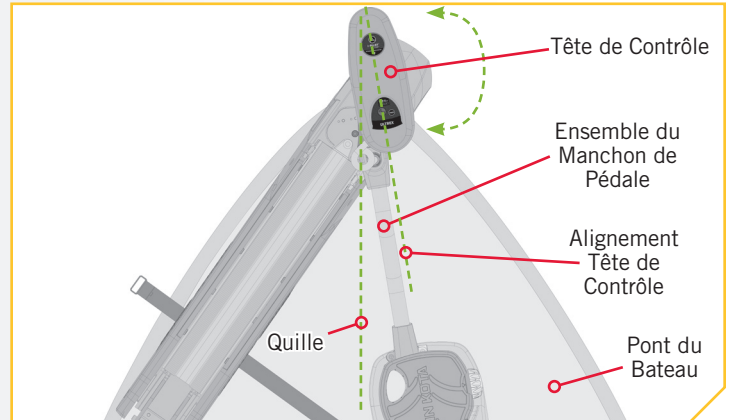


Hors-bord



1

- Activez le commutateur de mise sous tension et dirigez le moteur de manière à ce que la tête de contrôle soit en ligne avec la quille du bateau. On peut faire ceci en dirigeant le moteur avec la pédale, en tournant le moteur avec la télécommande ou en tournant manuellement la tête du moteur
- Laissez la tête de contrôle dans l'alignement souhaité puis coupez l'alimentation à la pédale. Ensuite, déconnectez les câbles d'alimentation de la batterie ou déclenchez le disjoncteur, le cas échéant.

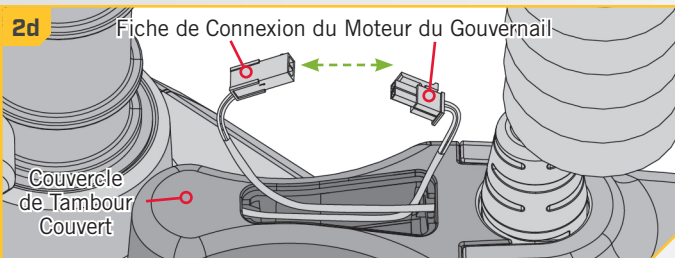
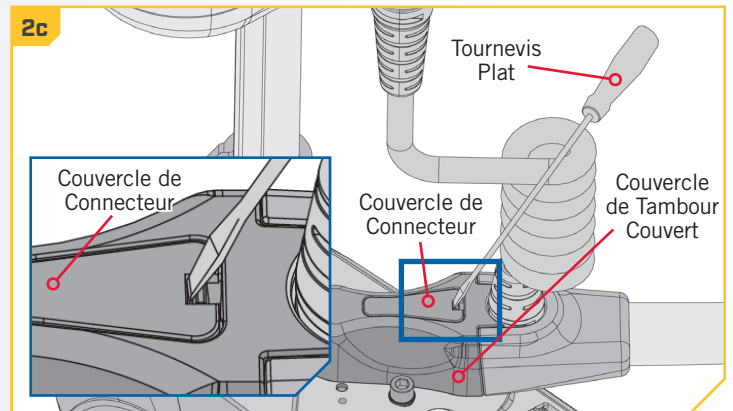


AVERTISSEMENT

Pour éviter une électrocution, veillez à ce que le moteur ne soit pas connecté à une source d'alimentation.

2

- Retirez le couvercle du connecteur du couvercle du tambour couvert à l'aide d'un tournevis plat de 1/8 po (3,17 mm) pour le dégager. Dégagez-le en appuyant la partie plate du tournevis dans la fente la plus proche du centre du couvercle du connecteur et en soulevant vers le haut.
- Une fois le couvercle du connecteur enlevé, débranchez la fiche de connexion du moteur du gouvernail qui est visible.



AVIS: Veuillez noter l'orientation et l'acheminement de la fiche et des fils pour la réinstallation.

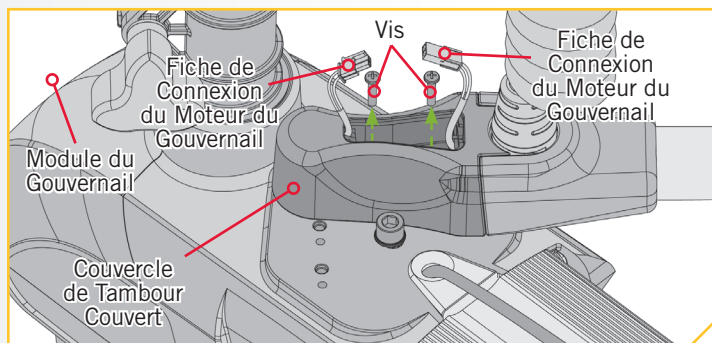
INDEXATION DU MOTEUR

3

- e. Retirez les deux vis qui retiennent le couvercle du tambour couvert en place avec un tournevis cruciforme n° 1. Une fois retiré, soulevez le couvercle du tambour couvert hors du module du gouvernail.

⚠ ATTENTION

Faites attention à ne pas endommager les extrémités de la fiche de connexion du moteur du gouvernail.

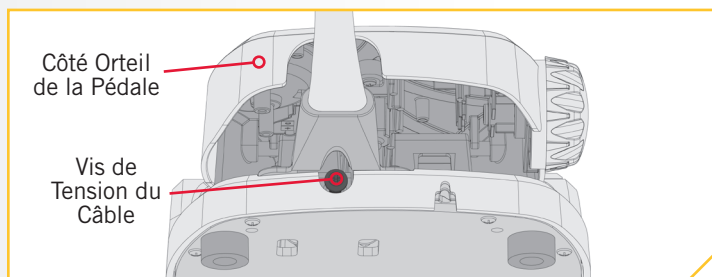


4

- f. La vis de tension du câble qui tient la tension sur les câbles du gouvernail se trouve sous la base côté orteil de la pédale. Cette vis peut être desserrée juste assez afin de pouvoir pincer ensemble les câbles du gouvernail entre le câble de l'ancre et le tambour couvert. Utiliser un tournevis cruciforme n° 3. Tournez la vis environ 8 tours dans le sens antihoraire, ce qui devrait offrir suffisamment de mou pour ajuster les câbles. Retenez le nombre de tours imposés à la vis afin de la resserrer par la suite.

⚠ ATTENTION

Trop desserrer la vis de tension du câble peut faire sortir les câbles du tambour couvert.



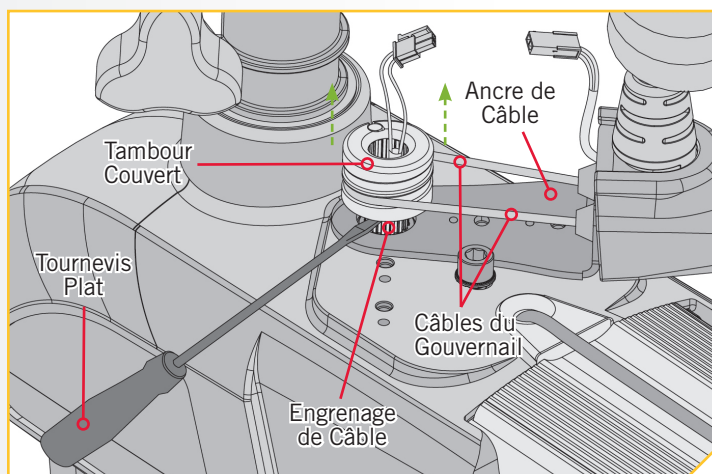
AVIS: Les câbles sont alimentés par l'ancre de câble et enroulés autour du tambour couvert. Le bon câble est celui plus court qui commence à s'enrouler sur le tambour couvert depuis le haut vers le bas. Le câble gauche est le câble le plus long qui commence à s'enrouler autour du tambour couvert depuis le bas vers le haut.

5

- g. Une fois que la vis de tension du câble est desserrée, soulevez le tambour couvert tout droit de l'engrenage du câble en utilisant un tournevis à grande lame jusqu'à ce que le tambour couvert soit dégagé de l'engrenage du câble.

⚠ ATTENTION

Il faut faire attention à ce que les câbles du gouvernail restent sur le tambour couvert lorsqu'il est enlevé de l'engrenage du câble. Il est important que les câbles du gouvernail suivent les rainures sur le tambour couvert afin qu'ils ne s'entortillent pas ni ne se dégagent. Veillez à ne pas endommager le fil électrique en soulevant le tambour couvert.



6

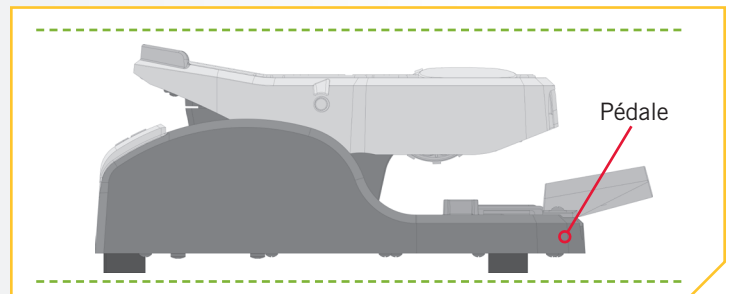
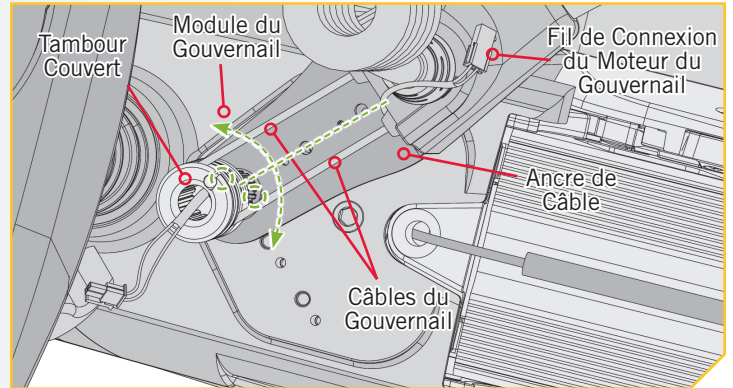
- h. Tout en tenant le tambour couvert juste au-dessus de l'engrenage de câble et en maintenant la tension sur les câbles du gouvernail, tournez méticuleusement le tambour couvert à droite ou à gauche jusqu'à ce que le dessus de la pédale soit parallèle avec le pont du bateau. La bonne position du tambour couvert localisera les ancres pour chacun des câbles du gouvernail à distance égale depuis l'axe médian de l'ancre de câble où il est fixé au module du gouvernail.

⚠ ATTENTION

Ne faites pas cet ajustement en appliquant de la pression à la pédale. Tournez manuellement le tambour couvert et utilisez la position de la pédale comme guide pour indiquer la bonne position du tambour couvert.

- i. Une fois la pédale à la position voulue, alignez le tambour couvert avec la dent la plus proche de l'arbre cannelé de l'engrenage du câble. Appuyez fermement sur le tambour couvert afin qu'il repose sur le dessus de l'engrenage du câble. À ce stade, la tête du moteur devrait être en parallèle avec la quille du bateau et le dessus de la pédale devrait être en parallèle avec le pont du bateau.

AVIS: Le haut du tambour couvert est pourvu de bords arrondis et lisses. Le bas du tambour couvert est plat et les dents qui s'engagent dans l'engrenage du câble sont visibles au centre.



⚠ ATTENTION

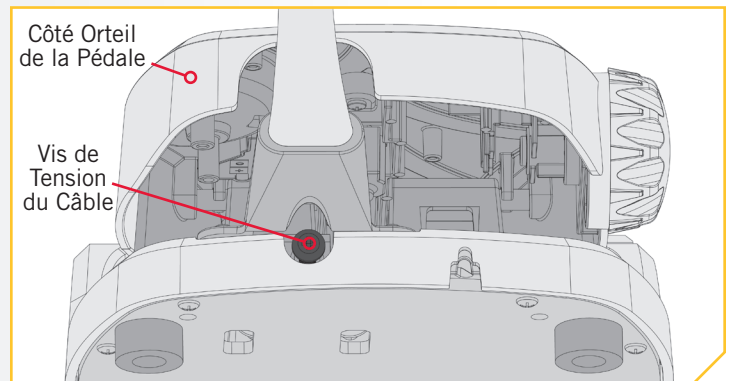
Si le tambour couvert est désengagé involontairement de l'engrenage du câble, les câbles du gouvernail peuvent être déroulés et devront être rassemblés correctement pour bien fonctionner.

7

- j. À l'aide d'un tournevis cruciforme n° 3, serrez la vis de tension du câble qui se trouve à la base côté orteil de la pédale entre 10 à 12 po-lb (1,1 à 1,3 Nm) jusqu'à ce que les câbles du gouvernail soit sous tension ou resserrés selon le même nombre de tours qu'utilisés à l'étape 4f.

⚠ ATTENTION

Ne pas trop serrer la vis de tension du câble, car une tension excessive endommagera l'appareil.



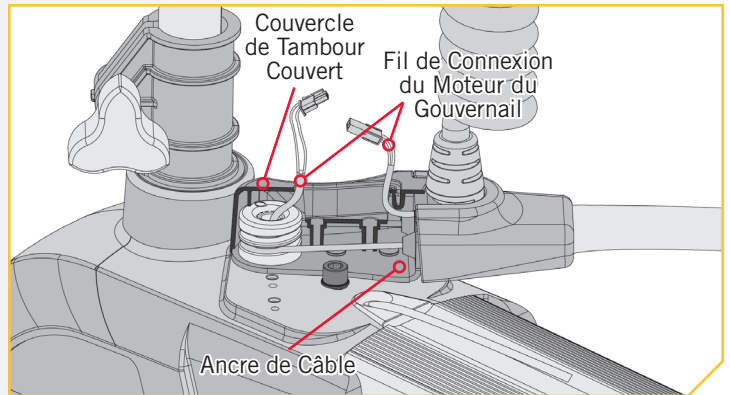
INDEXATION DU MOTEUR

8

- k. Reconfirmez que les câbles du gouvernail sont serrés puis enfiler délicatement le câble de connexion du moteur du gouvernail par le dessus du couvercle du tambour couvert. La fiche mâle provient de l'ancre du câble par l'ouverture au bas du couvercle du tambour couvert. Le fil avec la fiche femelle qui sort du haut de l'engrenage du câble doit aussi être tiré à travers l'ouverture au bas du couvercle du tambour couvert.

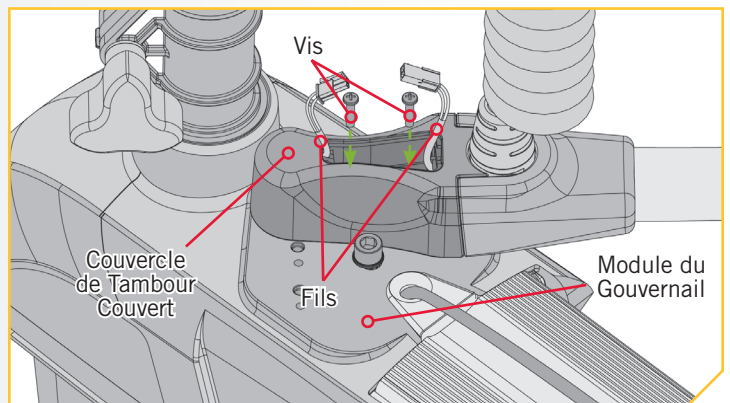
⚠ ATTENTION

Faites attention à ne pas pincer le fil de connexion du moteur du gouvernail.



9

- l. Placez le couvercle du tambour couvert sur le dessus de l'ancre de câble et alignez les trous de vis dessus avec les trous de vis sur l'ancre de câble. Veillez à faire reposer le couvercle du tambour couvert de manière sûre sur le dessus du module du gouvernail et que les fils sortent par le dessus du boîtier du tambour couvert. Fixer le boîtier du tambour couvert en place avec les deux vis enlevées au début en utilisant un tournevis cruciforme n° 1. Serrez à un couple de 6 po-lb (0,67 Nm).



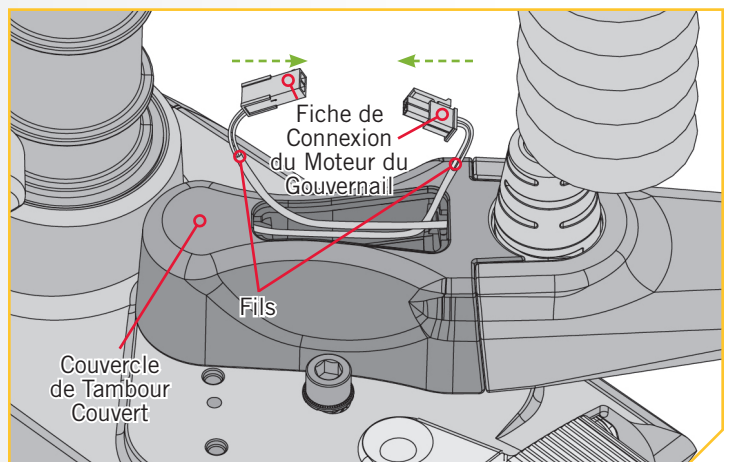
10

- m. Rebranchez la fiche de connexion du moteur du gouvernail et poussez-la dans le couvercle du tambour couvert.

⚠ ATTENTION

Les fils et la fiche ne doivent pas toucher les pièces mobiles. Les fils pourraient être abîmés s'ils touchent des pièces mobiles.

- n. Orientez les fils qui se connectent à la fiche de connexion du moteur du gouvernail comme indiqué afin que les fils ne touchent pas aux pièces mobiles.
- o. Reposer le couvercle du connecteur.



► Orienter l'Ensemble du Manchon de Pédales de Commande à un Support sur Tribord

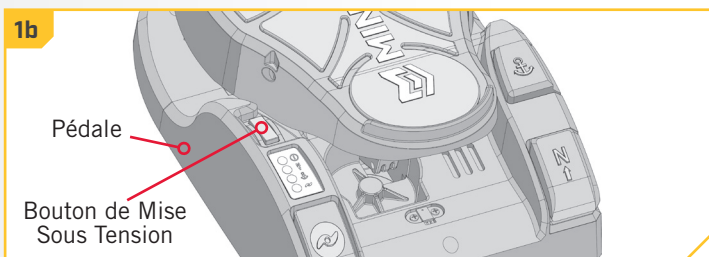
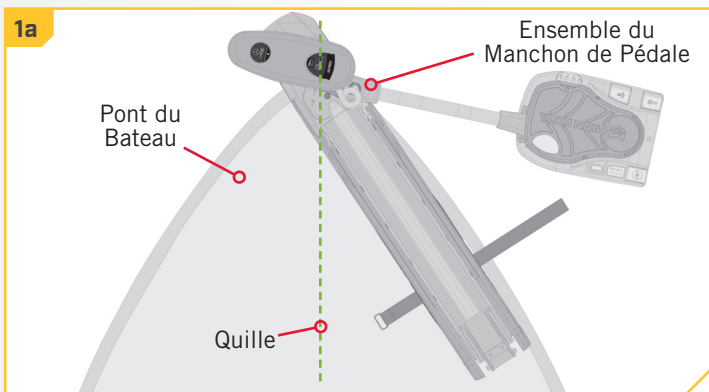
Par défaut, l'ensemble du manchon de pédale de commande est réglé en usine afin que lorsque votre Ultrex est installé sur le côté bâbord de votre bateau, il pointe vers l'en-bord. Si vous choisissez d'installer votre Ultrex sur le côté tribord de votre bateau, il est recommandé de modifier l'emplacement de montage par défaut de manière à ce que l'ensemble du manchon de pédale de commande pointe vers l'en-bord.

Une fois le support installé, le système est étalonné lorsque le moteur est déployé et la tête du moteur ainsi que l'appareil inférieur s'aligne avec l'axe central ou la quille du bateau en même temps, le haut de la pédale est parallèle au pont du bateau.

Utiliser les directives suivantes pour modifier l'emplacement de montage de l'ensemble du manchon de pédale de commande sur le boîtier du gouvernail, puis aligner la tête du moteur. Si votre moteur a été installé sur le côté bâbord du bateau, veuillez ignorer ces directives et vous reporter à la section Indexation du moteur de ce manuel.

1

- a. L'alignement de la tête du moteur avant la correction de l'emplacement de l'ensemble de la pédale de commande aidera à étalonner l'alignement une fois que l'ensemble est dans la position recommandée. Fermer le commutateur de mise sous tension et tourner le moteur de manière à ce que la tête de contrôle soit en ligne avec la quille du bateau. On peut faire ceci en dirigeant le moteur avec la pédale, en tournant le moteur avec la télécommande ou en tournant manuellement la tête du moteur.
- b. Laisser le moteur dans l'alignement souhaité et mettre la pédale hors tension. Ensuite, déconnectez les câbles d'alimentation de la batterie ou déclenchez le disjoncteur, le cas échéant.



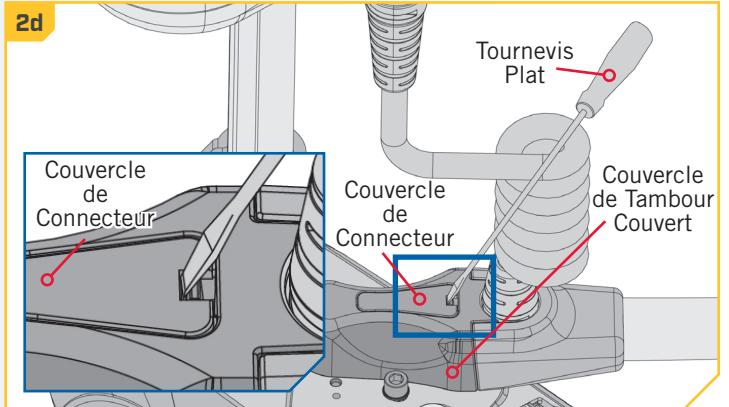
AVERTISSEMENT

Pour éviter une électrocution, veillez à ce que le moteur ne soit pas connecté à une source d'alimentation.

ORIENTER L'ENSEMBLE DU MANCHON DE PÉDALE DE COMMANDE À UN SUPPORT SUR TRIBORD

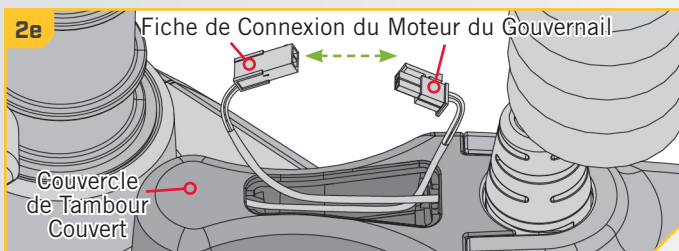
2

- c. Retirez le couvercle du connecteur du couvercle du tambour couvert à l'aide d'un tournevis plat de 1/8 po (3,17 mm) pour le dégager. Dégagez-le en appuyant la partie plate du tournevis dans la fente la plus proche du centre du couvercle du connecteur et en soulevant vers le haut.
- d. Une fois le couvercle du connecteur enlevé, débranchez la fiche de connexion du moteur du gouvernail qui est visible.



AVIS: Veuillez noter l'orientation et l'acheminement de la fiche et des fils pour la réinstallation.

2e

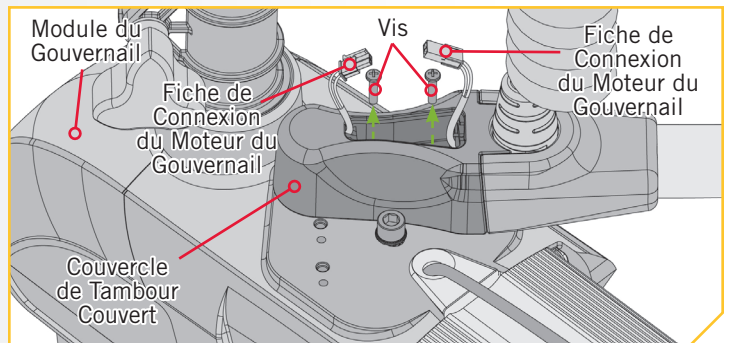


3

- e. Retirez les deux vis qui retiennent le couvercle du tambour couvert en place avec un tournevis cruciforme n° 1. Une fois retiré, soulevez le couvercle du tambour couvert hors du module du gouvernail.

⚠ ATTENTION

Faites attention à ne pas endommager les extrémités et les fils de la fiche de connexion du moteur du gouvernail.

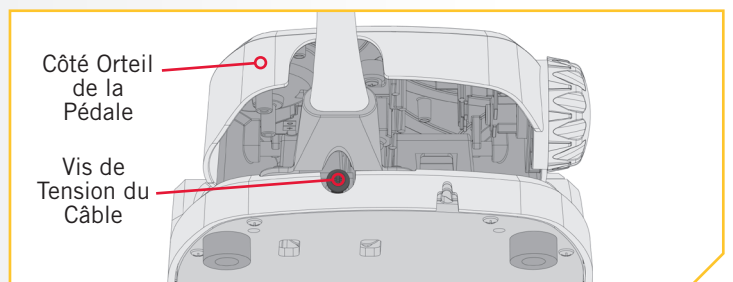


4

- f. La vis de tension du câble qui tient la tension sur les câbles du gouvernail se trouve sous la base côté orteil de la pédale. Cette vis peut être desserrée juste assez afin de pouvoir pincer ensemble les câbles du gouvernail entre le câble de l'ancre et le tambour couvert. Utiliser un tournevis cruciforme n° 3. Tournez la vis environ 8 tours dans le sens antihoraire, ce qui devrait offrir suffisamment de mou pour ajuster les câbles. Retenez le nombre de tours imposés à la vis afin de la resserrer par la suite.

⚠ ATTENTION

Trop desserrer la vis de tension du câble peut faire sortir les câbles du tambour couvert.

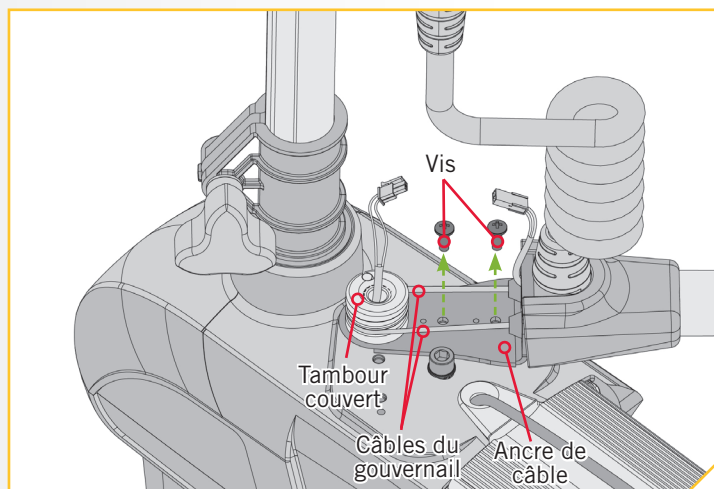


AVIS: Les câbles sont alimentés par l'ancre de câble et enroulés autour du tambour couvert. Le câble de droite commence à s'enrouler sur le tambour couvert depuis le haut vers le bas. Le câble de gauche commence à s'enrouler sur le tambour couvert depuis le bas vers le haut.

ORIENTER L'ENSEMBLE DU MANCHON DE PÉDALE DE COMMANDE À UN SUPPORT SUR TRIBORD

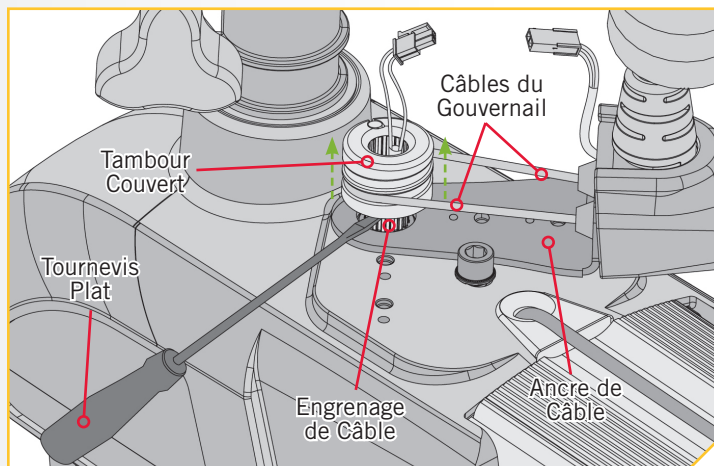
5

- g. L'ancre du câble fonctionne afin de tenir les câbles du gouvernail en place. Les câbles sont acheminés de l'ancre du câble et s'enroulent autour du tambour couvert. L'ancre du câble est fixée au module du gouvernail avec deux vis. Retirez les deux vis n° 10-32 x 1/2 po (12,7 mm) qui tient l'ancre du câble en place à l'aide d'un tournevis cruciforme n° 2.
- h. Le tambour couvert est posé sur l'arbre de l'engrenage de câble qui se prolonge au-dessus du module du gouvernail. L'extrémité femelle du fil électrique sort par le haut de l'engrenage du câble. L'arbre de l'engrenage sur lequel repose le tambour couvert est cannelé. Pour tourner l'ensemble du manchon de commande de pédale, le tambour couvert doit être soulevé de l'engrenage du câble. Avant de pouvoir soulever ou aligner le tambour couvert, il faut desserrer les câbles du gouvernail.



6

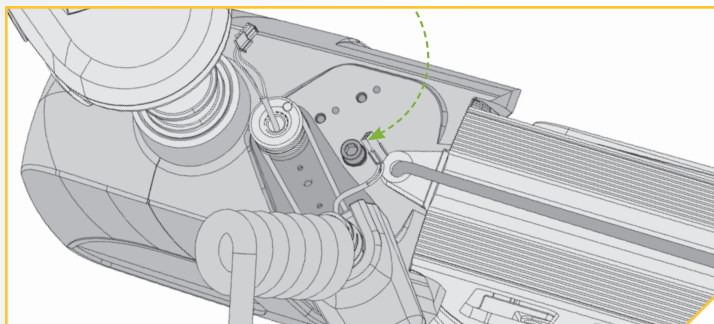
- i. Une fois que la vis de tension du câble est desserrée et que les vis sont enlevées, soulevez délicatement en partie le tambour couvert en le soulevant tout droit, à l'aide d'un robuste tournevis à lame plate. Le tambour couvert doit seulement être soulevé assez loin sur l'engrenage du câble pour tourner l'ensemble du manchon de pédale de commande vers la position en-bord ou celle souhaitée. L'ancre de câble est à la bonne position sur le support lorsqu'elle est montée vers le côté en-bord du support.



⚠ ATTENTION

Soulevez seulement le tambour couvert suffisamment haut sur l'engrenage du câble pour tourner l'ancre de câble et l'ensemble du manchon de pédale de commande afin de corriger la position. Si le tambour couvert est désengagé involontairement de l'engrenage du câble, les câbles du gouvernail peuvent être déroulés et devront être rassemblés correctement pour bien fonctionner.

AVIS: Le haut du tambour couvert est pourvu de bords arrondis et lisses. Le bas du tambour couvert est plat et les dents qui s'engagent dans l'engrenage du câble sont visibles au centre.



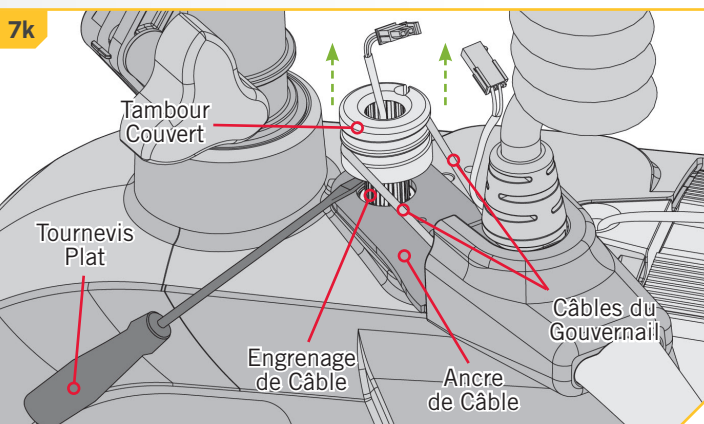
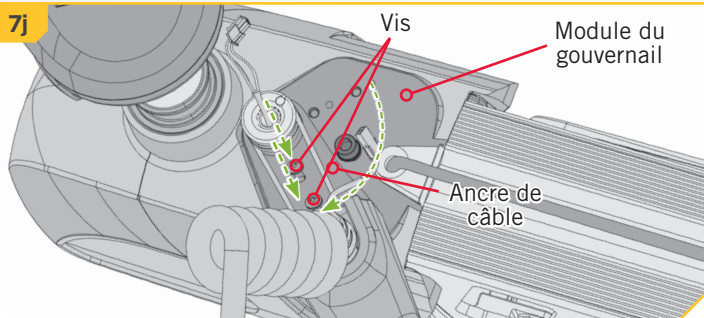
ORIENTER L'ENSEMBLE DU MANCHON DE PÉDALE DE COMMANDE À UN SUPPORT SUR TRIBORD

7

- j. Fixez l'ancre de câble sur le côté en-bord du module du gouvernail en fixant lâchement les vis en place à l'aide d'un tournevis cruciforme n° 2.
- k. Une fois que l'ancre du câble est fixée, finissez de soulever le tambour couvert tout droit, hors de l'engrenage du câble jusqu'à ce que tambour couvert soit dégagé de l'engrenage du câble.

⚠ ATTENTION

Il faut faire attention à ce que les câbles du gouvernail restent sur le tambour couvert lorsqu'il enlevé de l'engrenage du câble. Il est important que les câbles du gouvernail suivent les rainures sur le tambour couvert afin qu'ils ne s'entortillent pas ni ne se dégagent. Veillez à ne pas endommager le fil électrique en soulevant le tambour couvert.



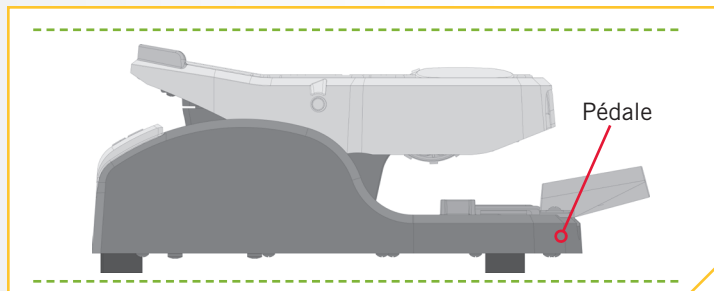
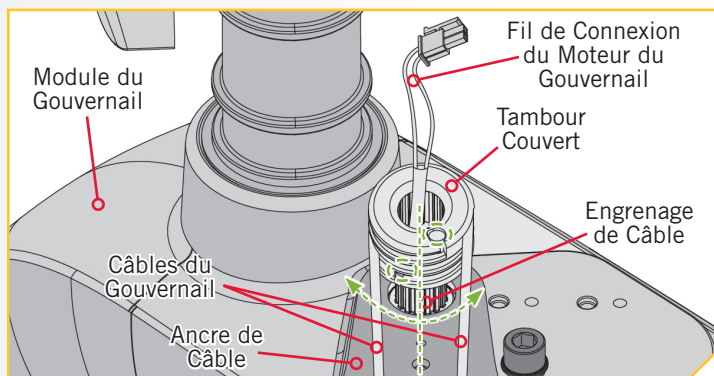
8

- l. Tout en tenant le tambour couvert juste au-dessus de l'engrenage de câble et en maintenant la tension sur les câbles du gouvernail, tournez méticuleusement le tambour couvert à droite ou à gauche jusqu'à ce que le dessus de la pédale soit parallèle avec le pont du bateau. La bonne position du tambour couvert localisera les ancres pour chacun des câbles du gouvernail à distance égale depuis l'axe médian de l'ancre du câble où il est fixé au module du gouvernail.

⚠ ATTENTION

Ne faites pas cet ajustement en appliquant de la pression à la pédale. Tournez manuellement le tambour couvert et utilisez la position de la pédale comme guide pour indiquer la bonne position du tambour couvert.

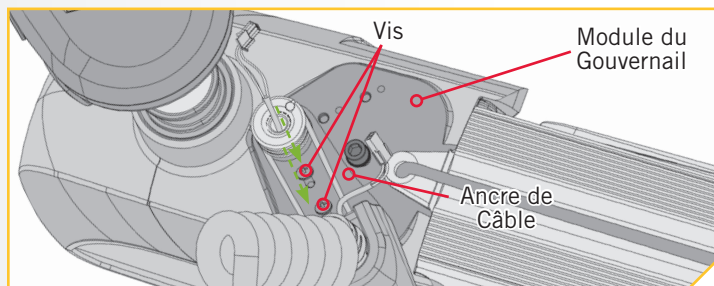
- m. Une fois la pédale à la position voulue, alignez le tambour couvert avec la dent la plus proche de l'arbre cannelé de l'engrenage du câble. Appuyez fermement sur le tambour couvert afin qu'il repose sur le dessus de l'engrenage du câble.



ORIENTER L'ENSEMBLE DU MANCHON DE PÉDALE DE COMMANDE À UN SUPPORT SUR TRIBORD

9

- n. Resserrez les deux vis qui fixent l'ancre du câble au-dessus du module du gouvernail à l'aide d'un tournevis n° 2. Serrez à 25 po-lb (2,82 Nm).



10

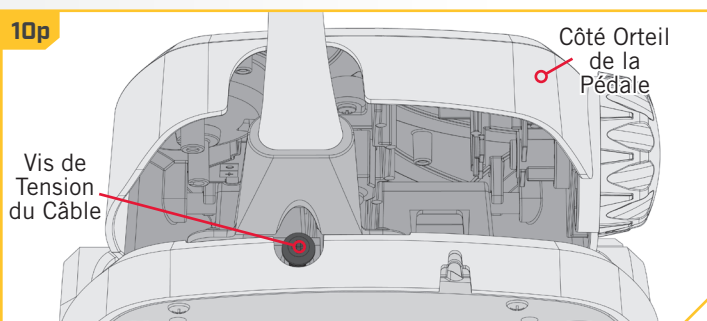
- o. Avec un tournevis cruciforme n° 3, serrez la vis de tension du câble qui se trouve à la base côté orteil de la pédale entre 10 et 12 po-lb (1,1 et 1,3 Nm) jusqu'à ce que les câbles du gouvernail soient sous tension ou resserrez selon le même nombre de tours utilisés à l'étape 4f.

⚠ ATTENTION

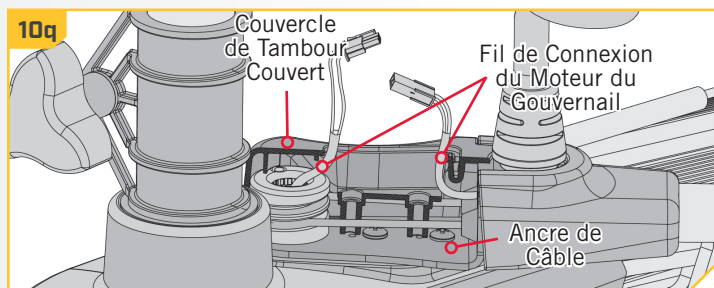
Ne pas trop serrer la vis de tension du câble, car une tension excessive endommagera l'appareil.

- p. Reconfirmez que les câbles du gouvernail sont serrés puis enfiler délicatement le câble de connexion du moteur du gouvernail par le dessus du couvercle du tambour couvert. La fiche mâle provient de l'ancre du câble par l'ouverture au bas du couvercle du tambour couvert. Le fil avec la fiche femelle qui sort du haut de l'engrenage du câble doit aussi être tiré à travers l'ouverture au bas du couvercle du tambour couvert.

10p



10q

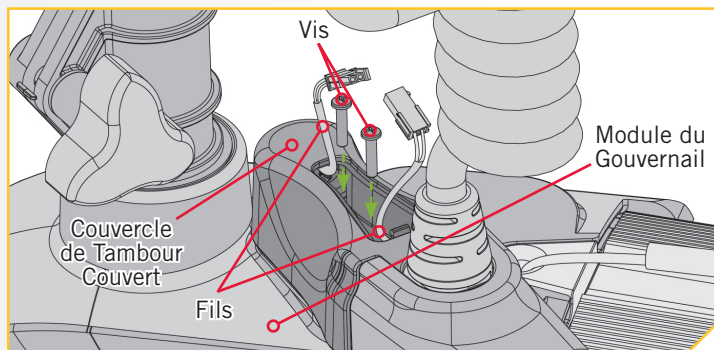


⚠ ATTENTION

Faites attention à ne pas pincer le fil de connexion du moteur du gouvernail.

11

- q. Placez le couvercle du tambour couvert sur le dessus de l'ancre de câble et alignez les trous de vis dessus avec les trous de vis sur l'ancre de câble. Veillez à faire reposer le couvercle du tambour couvert de manière sûre sur le dessus du module du gouvernail et que les fils sortent par le dessus du boîtier du tambour couvert. Fixer le boîtier du tambour couvert en place avec les deux vis enlevées au début en utilisant un tournevis cruciforme n° 1. Serrez à un couple de 6 po-lb (0,67 Nm).



PLACER LE STABILISATEUR DU SUPPORT À L'ÉTRAVE

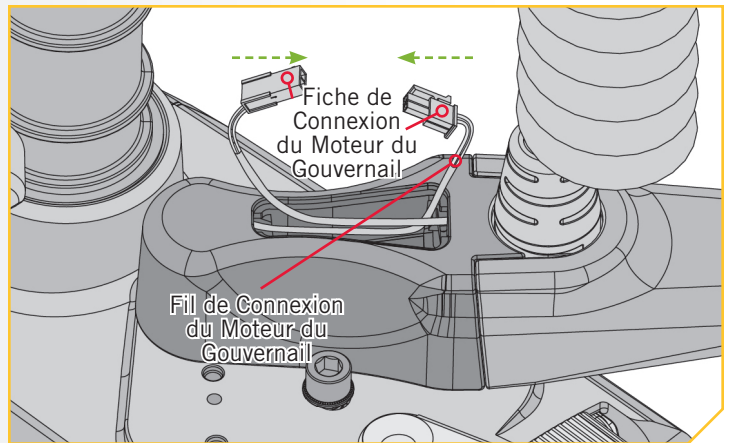
12

- r. Rebranchez la fiche de connexion du moteur du gouvernail et poussez-la dans le couvercle du tambour couvert.

ATTENTION

Les fils et la fiche ne doivent pas toucher les pièces mobiles. Les fils pourraient être abîmés s'ils touchent des pièces mobiles.

- s. Orientez les fils qui se connectent à la fiche de connexion du moteur du gouvernail comme indiqué afin que les fils ne touchent pas aux pièces mobiles.
- t. Reposer le couvercle du connecteur.



Placer le Stabilisateur du Support à l'étrave

La ferrure du stabilisateur sur proue est utilisée pour stabiliser le module du gouvernail et pour réduire les rebonds lorsque le moteur est arrimé et transporté. Il faudra faire preuve de minutie pour réussir l'installation du stabilisateur. Nous vous recommandons de faire installer la ferrure du stabilisateur par un installateur qualifié du milieu marin.

ATTENTION

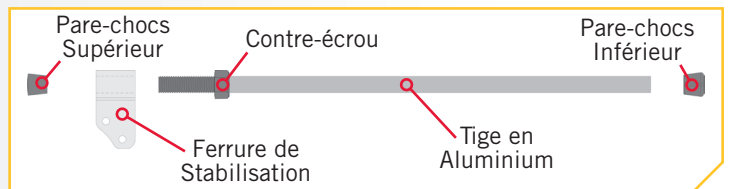
Le fait de trop serrer la tige en aluminium enlève le jeu axial nécessaire pour engager correctement la goupille de verrouillage et cela pourrait empêcher au montage de se verrouiller complètement en position d'arrimage. Un verrouillage incorrect peut causer des dommages. Si installée correctement, l'extrémité de la tige en aluminium devrait se tenir à environ 1/4 po (6,35 mm) au-dessus du pont du bateau sans le déverrouillage du montage. Le soutien du montage sera insuffisant si la tige en aluminium est coupée trop court. Le manque de soutien peut causer des dommages.

1

ARTICLE(S) REQUIS

- #11 x 1  #12 x 1  #13 x 1 ■ #14 x 1 ■ #15 x 1  #16 x 2

- a. Placez le moteur dans la position d'arrimage.
- b. Défaites la tige en aluminium (Article n° 13) de la ferrure du stabilisateur (Article n° 12) en enlevant le pare-chocs supérieur (Article n° 11) et en dévissant la ferrure. Enlevez également le pare-chocs inférieur (Article n° 15). Maintenez le contre-écrou (article° 14) en place.



AVIS: La ferrure du stabilisateur peut être installée sur le côté gauche ou sur le côté droit du module du gouvernail. Lors du montage de la ferrure sur l'Ultrex, les deux écrous Nylock (article n° 16) sont jetés parce que les boulons sont fixés directement dans le module du gouvernail.

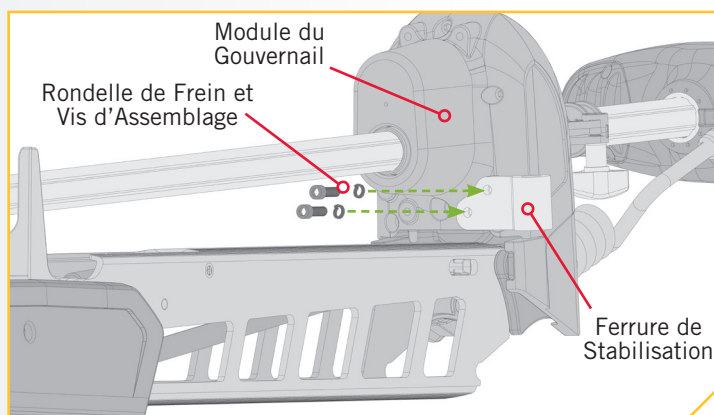
PLACER LE STABILISATEUR DU SUPPORT À L'ÉTRAVE

2

ARTICLE(S) REQUIS

I#17 x 2 o#18 x 2

- c. Déterminez l'orientation souhaitée de l'ensemble de stabilisateur pour le fixer à la partie inférieure du module du gouvernail. Pour placez une rondelle de blocage (article n° 18) sur chacune des deux vis d'assemblage de 5/16 po (7,9 mm) (article° 17).
- d. Utilisez la vis d'assemblage de 5/16 po (7,9 mm) pour fixer la ferrure du stabilisateur au module du gouvernail et serrez à l'aide d'une clé hexagonale de 1/4 po (6,35 mm). Serrez à 10 pi-lb (13.6 Nm).



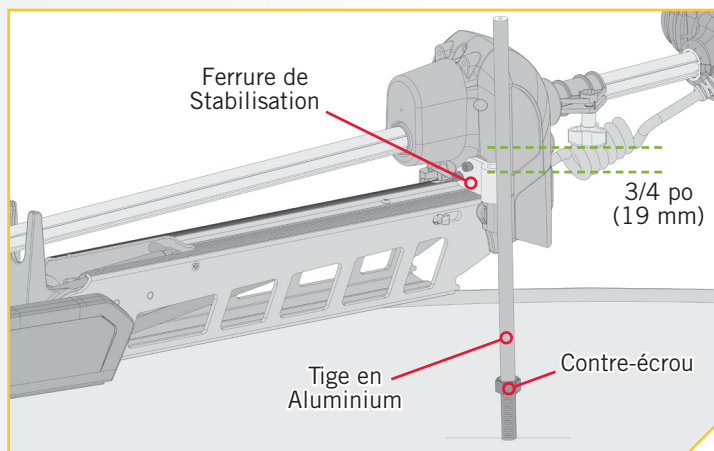
3

- e. Mesurez la bonne longueur pour la tige en aluminium en mettant celle-ci debout, avec l'extrémité fileté pointant vers le bas, sur la surface du pont de sorte qu'elle se trouve à la verticale juste à côté de la ferrure du stabilisateur.
- f. Marquez la tige en aluminium avec un crayon ou un marqueur à 3/4 po (19 mm) du haut de la ferrure du stabilisateur.

ATTENTION

Le fait de couper trop court la tige en aluminium provoquera un soutien insuffisant du montage. Le manque de soutien peut causer des dommages.

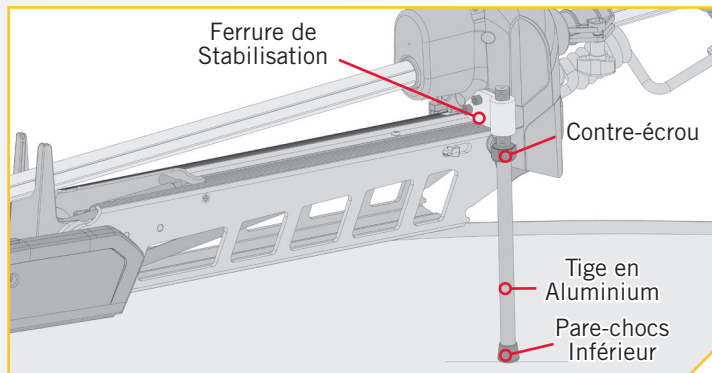
- g. Coupez la tige en aluminium avec une scie à métaux à la marque. Arrondissez le bord vif de la tige avec une lime ou du papier de verre pour enlever les angles vifs.



MONTAGE DE LA PÉDALE

4

- h. Remettez le pare-chocs inférieur sur la tige en aluminium, à l'opposée du filetage.
- i. Filetez la tige en aluminium dans la ferrure du stabilisateur avec le pare-chocs inférieur orienté vers le pont du bateau.
- j. Ajustez la tige en aluminium vers le haut ou vers le bas dans la ferrure du stabilisateur de sorte que le pare-chocs inférieur ne touche que la surface du support.

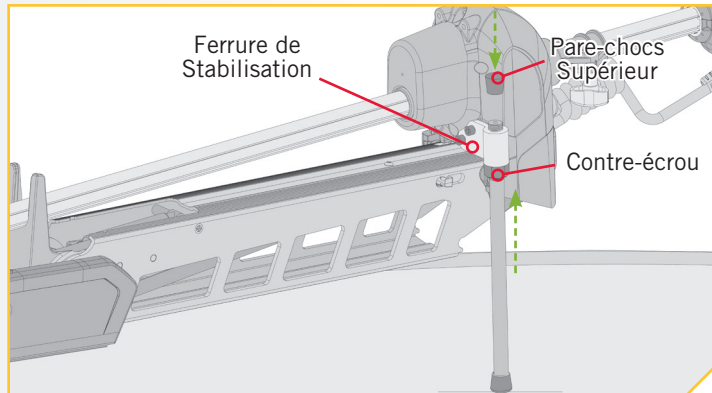


ATTENTION

Le fait de trop serrer la tige en aluminium enlève le jeu axial nécessaire pour engager correctement la goupille de verrouillage et cela pourrait empêcher au montage de se verrouiller complètement en position d'arrimage. Un verrouillage incorrect peut causer des dommages. Si installée correctement, l'extrémité de la tige en aluminium devrait se tenir à environ 1/4 po (6,35 mm) au-dessus du pont du bateau sans le déverrouillage du montage.

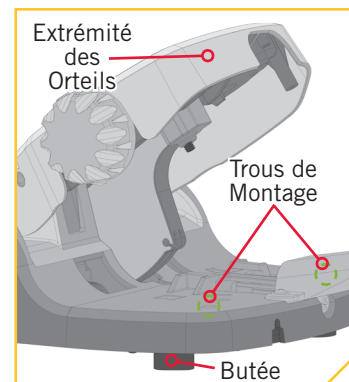
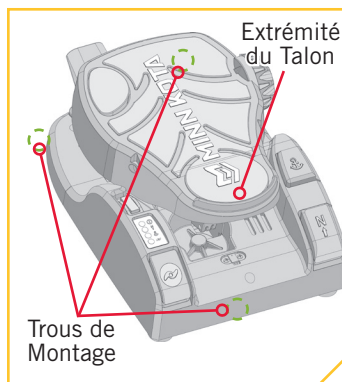
5

- k. Une fois dans la bonne position, serrez le contre-écrou vers le haut contre la ferrure du stabilisateur. Cela empêchera la tige en aluminium de tourner.
- l. Installez le pare-chocs supérieur s'il y a un filetage d'exposé sur la tige en aluminium au-dessus de la ferrure du stabilisateur.



Montage de la Pédale

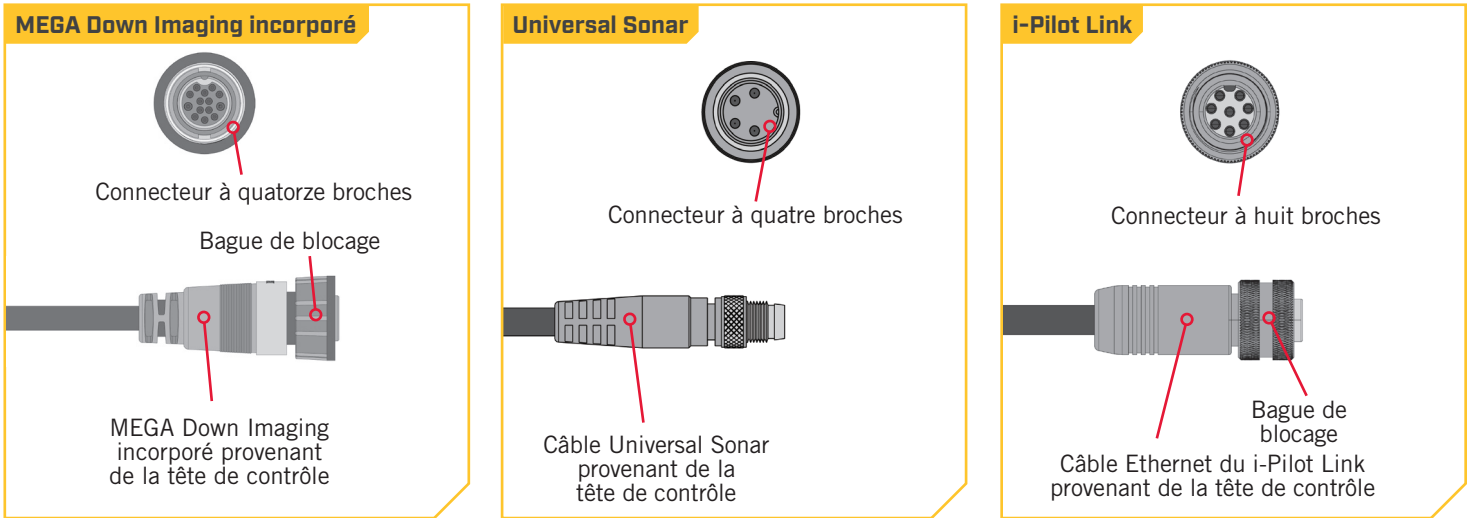
Nous recommandons de fixer la pédale au pont du bateau pour l'empêcher d'être endommagée pendant le transport et pour rendre le fonctionnement du moteur plus efficace. Il est recommandé d'utiliser les trous de montage sur la pédale pour fixer le support. La pédale est dotée de trois trous de montage. Un trou de montage se trouve sur le côté talon de la pédale. Les deux autres se trouvent sur le côté orteil de la pédale. Nous recommandons l'utilisation d'une vis à diamètre 1/8 po ou 3/16 po et de serrer seulement pour comprimer légèrement les butées sous la pédale.



IDENTIFYING TROLLING MOTOR FEATURES BY THEIR ASSOCIATED CABLES

IDENTIFICATION DES CARACTÉRISTIQUES DU MOTEUR DE PÊCHE À LA TRAÎNE AU MOYEN DES CÂBLES QUI Y SONT ASSOCIÉS

Votre moteur de pêche à la traîne pourrait posséder un système MEGA Down Imaging incorporé OU Universal Sonar, et peut également être doté du i-Pilot Link. Toutes ces caractéristiques exigent la connexion des câbles à un dispositif de sortie. Ces connexions se trouvent sur le moteur de pêche à la traîne et disposent de câbles qui sortent sous la tête de contrôle. Afin de mieux identifier les câbles, consultez les diagrammes ci-dessous qui indiquent à quoi ressemblent les connecteurs de câble du MEGA Down Imaging incorporé, de l'Universal Sonar et du i-Pilot Link.



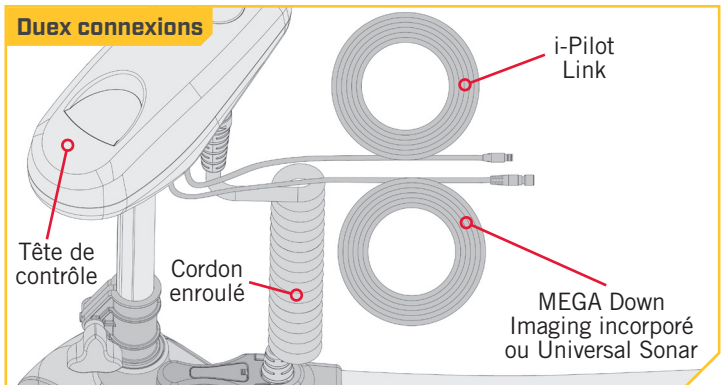
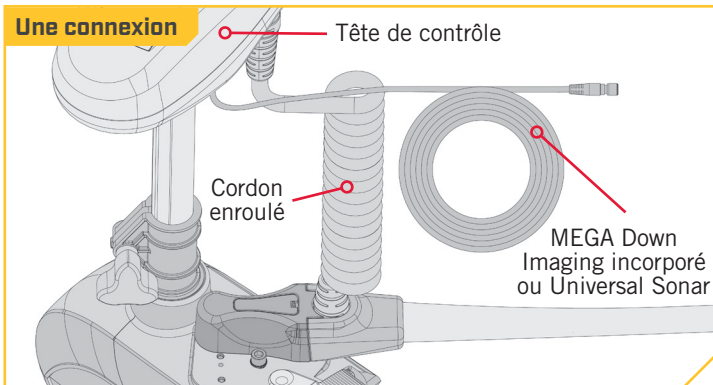
Si **une** connexion est présente sous la tête de contrôle, il se peut que le moteur soit doté du :

1. i-Pilot et du Universal Sonar, ou
2. i-Pilot et du MEGA Down Imaging incorporé

Si **deux** connexions sont présentes sous la tête de contrôle, il se peut que le moteur soit doté du :

1. i-Pilot et du Universal Sonar, ou
2. i-Pilot et du MEGA Down Imaging incorporé

AVIS: Le système i-Pilot ne dispose d'aucune connexion externe câblée.



ROUTING CONNECTION CABLES

ACHEMINEMENT DES CÂBLES DE CONNEXION

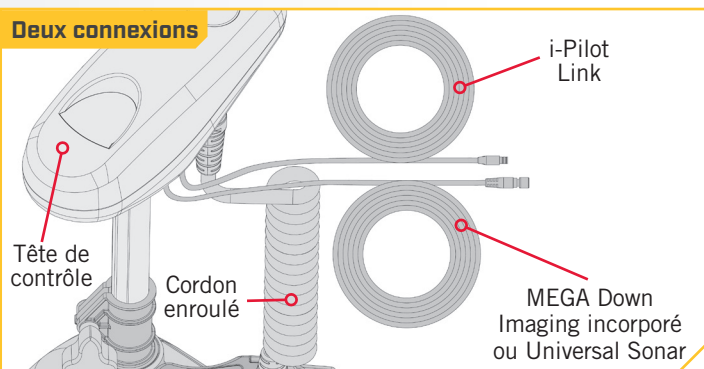
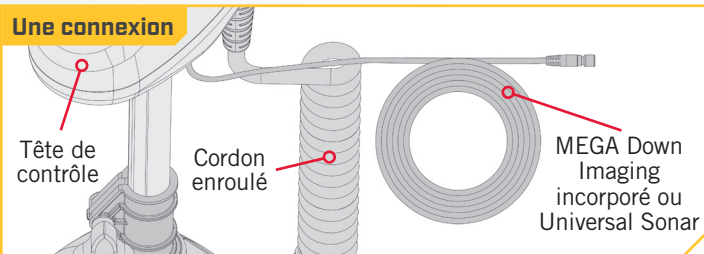
Veillez respecter ces instructions pour l'acheminement de tout câble présent pour l'une ou l'autre des caractéristiques installées d'avance qui sont livrées avec votre moteur de pêche à la traîne. Cet acheminement doit être respecté, qu'il n'y ait qu'un ou deux câbles de connexion. Si vous n'êtes pas certain du nombre de câbles présent, consultez la section « Identification des caractéristiques du moteur de pêche à la traîne au moyen des câbles qui y sont associés » de ces instructions d'installation.

- 1**
- a. Placez le moteur dans la position déployée.
 - b. Localisez les câbles du MEGA Down Imaging incorporé, du i-Pilot Link ou de l'Universal Sonar à la base de la tête de contrôle.

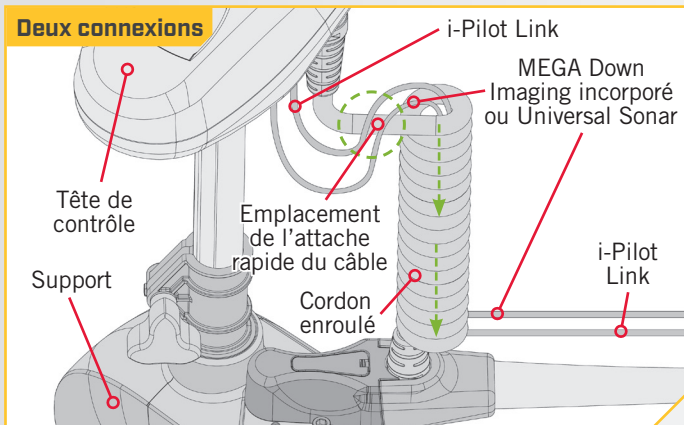
ATTENTION

Le défaut de respecter l'acheminement recommandé des fils pour les câbles du MEGA Down Imaging incorporé, du i-Pilot Link ou de l'Universal Sonar, si ainsi équipé, peut endommager le produit et annuler sa garantie. Acheminez les câbles en évitant les points de pincement et les autres zones qui pourraient faire en sorte que les câbles soient pliés à des angles aigus. Effectuer l'acheminement des câbles d'une tout autre façon que celle dictée peut entraîner des dommages aux câbles par un pincement ou sectionnement.

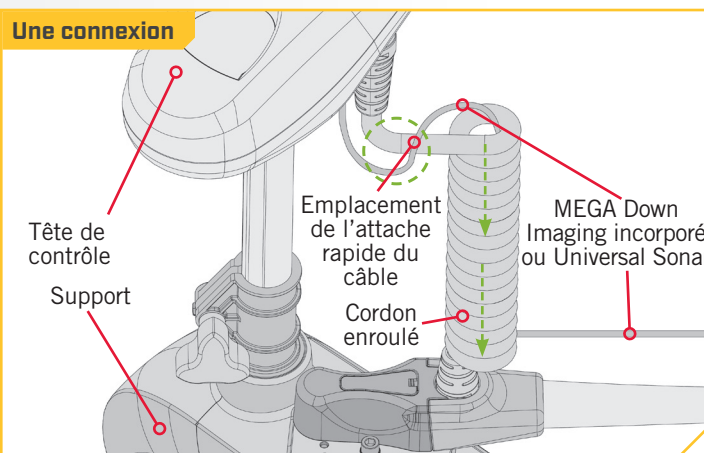
AVIS : le connecteur d'Universal Sonar est présenté à des fins d'illustration.



- 2**
- c. Les câbles doivent cheminer de part en part du cordon enroulé. Ils doivent sortir du cordon enroulé au bas de ce dernier, où il se connecte au support.



- d. Utilisez une attache rapide pour fixer les câbles au-dessus du cordon enroulé, en laissant suffisamment de jeu pour laisser les câbles pendre aisément.



ATTENTION

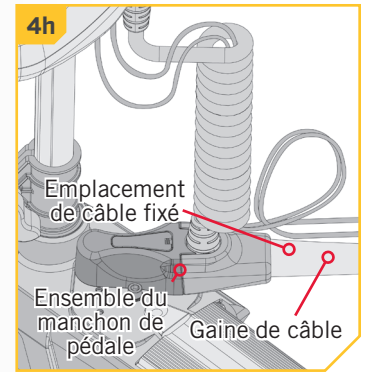
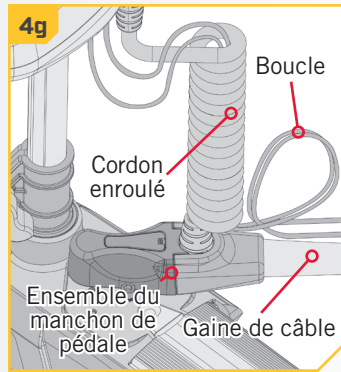
Ne serrez pas trop les attaches de câble, ce qui risquerait d'endommager les câbles.

3

- e. Sous le cordon enroulé, mesurez 8 à 10 pouces de rallonge et faites une boucle.
- f. Fixez lâchement l'extrémité de la boucle à la gaine du câble qui est acheminé de l'ensemble du manchon de la pédale de commande à la pédale.

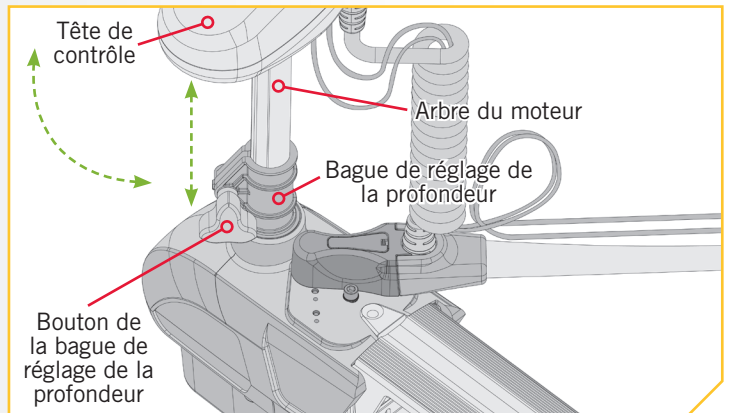
ATTENTION

Ne fixez pas les rallonges au bas du cordon enroulé. Le fait de mal fixer les rallonges peut entraîner un dommage au produit et annuler la garantie du produit.



4

- g. Localisez le collier de profondeur et tout en saisissant l'arbre, desserrez le bouton du collier de profondeur.
- h. Continuez à tenir l'arbre du moteur et à soulever la tête de contrôle pour faire un essai du jeu dans la boucle des rallonges pour une pleine fonctionnalité du moteur.
- i. Tournez l'arbre du moteur pour vous assurer que l'acheminement des fils ne gêne pas les pièces mobiles à différents réglages du collier de profondeur.
- j. Délicatement, arrimez et déployez le moteur pour vérifier le jeu.
- k. Ajustez le jeu au besoin et si approprié, fixez l'attache rapide du câble placé autour de la gaine du câble.



AVIS : après la sortie des câbles du cordon enroulé, ils doivent être acheminés au moyen d'un système d'acheminement établi sur le bateau, dans une zone offrant un minimum d'interférences. Câbles électriques ou autres éléments pouvant créer une interférence dans les signaux du sonar. Inspectez bien le chemin planifié pour vous assurer qu'il n'y a pas d'arêtes vives, d'obstacles ou d'obstructions qui pourraient endommager les câbles.

FEATURE OVERVIEW AND CONNECTING THE CABLES

APERÇU DES CARACTÉRISTIQUES ET CONNEXION DES CÂBLES

Les câbles provenant de la tête de contrôle pour chaque caractéristique installée sur le moteur de pêche à la traîne sont connectés séparément à un dispositif de sortie. Une fois les caractéristiques installées identifiées, suivez les instructions ci-dessous pour vous assurer de la connexion appropriée des câbles.

› MEGA Down Imaging incorporé

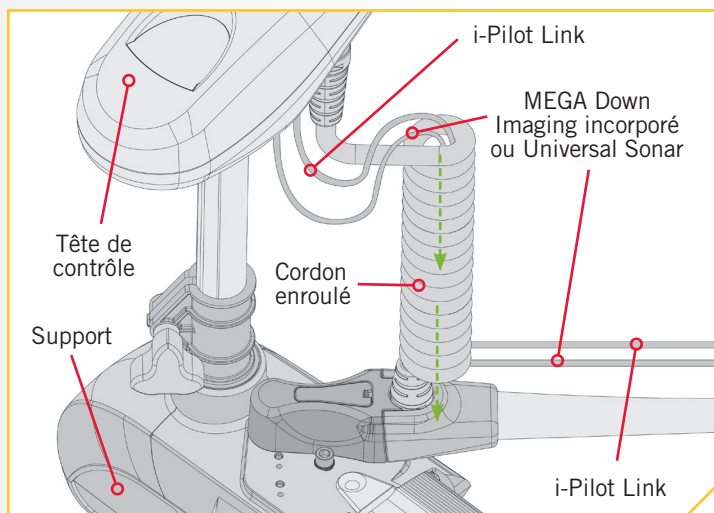
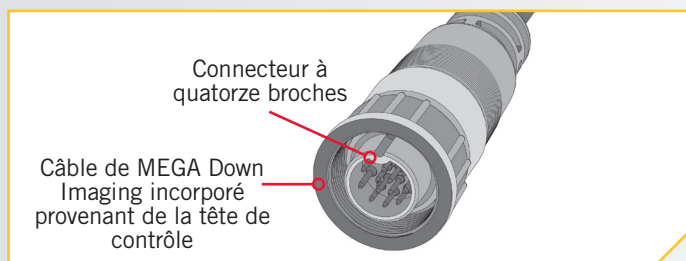
Le MEGA Down Imaging incorporé est presque trois fois plus puissant que le Side ImagingMD standard et dote la détection de poissons de sa toute première fréquence mégahertz. Les gammes de moteurs de pêche à la traîne Minn Kota haut de gamme, dont Ultrex, Ulterra, Terrova et Fortrex, possèdent maintenant le sonar MEGA Down Imaging incorporé, l'imagerie la plus nette offerte uniquement par Humminbird. Grâce au sonar d'imagerie MEGA de Humminbird incorporé au moteur de pêche à la traîne, vous disposez maintenant d'une vue cristalline de tout ce qui se situe immédiatement sous le bateau, sans avoir à gérer le câblage des transducteurs externes. Le transducteur MEGA Down Imaging (DI) incorporé est offert uniquement sur les nouveaux modèles équipés à l'usine et ne peut être installé sur un moteur de pêche à la traîne existant.

Le transducteur MEGA DI incorporé offrira à la fois le sonar MEGA Down Imaging et le sonar numérique 2D CHIRP à des modèles Humminbird particuliers. Tous les moteurs de pêche à la traîne avec MEGA DI incorporé seront livrés « prêts pour Solix ». Vous pouvez acheter un câble adaptateur accessoire (MKR-MDI-1 1852085 ou MKR-MDI-2 1852086) qui permettra la connexion de tout détecteur de poissons Humminbird Helix compatible. Le MKR-MDI-1 est compatible avec les modèles Helix 8, 9, 10 et 12. Le MKR-MDI-2 est compatible uniquement avec le modèle Humminbird Helix 7. Consultez le tableau de [compatibilité MEGA Down Imaging incorporé](#) en ligne.

AVIS : Vous ne pouvez afficher le MEGA Down Imaging qu'avec un modèle de série MEGA DI ou MEGA SI HELIX G2N ou G3N et un adaptateur requis, ou tout modèle de série SOLIX. Le transducteur intégré ne permet pas de transmettre le MEGA Down Imaging aux modèles Humminbird qui ne disposent pas déjà de cette fonctionnalité. Si vous disposez d'un modèle HELIX G2/ G2N ou G3/G3N autre que MEGA SI ou MEGA DI, vous devrez opter pour un sonar numérique 2D CHIRP avec le transducteur. Les modèles HELIX G1 et les autres marques de détecteurs de poissons ne prennent pas en charge le MEGA DI intégré.

1

- a. Placez le moteur dans la position déployée.
- b. Le connecteur du MEGA Down Imaging incorporé provenant de la tête de contrôle présente quatorze broches. Le MEGA Down Imaging incorporé peut être installé seul ou conjointement avec un système i-Pilot ou i-Pilot Link. Il ne sera jamais installé avec un Universal Sonar. Localisez et identifiez la connexion appropriée pour les câbles MEGA Down Imaging incorporé, à la base de la tête de contrôle.



AVIS : le MEGA Down Imaging incorporé est toujours jumelé avec un système i-Pilot ou i-Pilot Link sur les moteurs Terrova, Ulterra et Ultrex. Il peut être installé d'avance sur un moteur Fortrex sans les caractéristiques qui exigent une connexion externe.

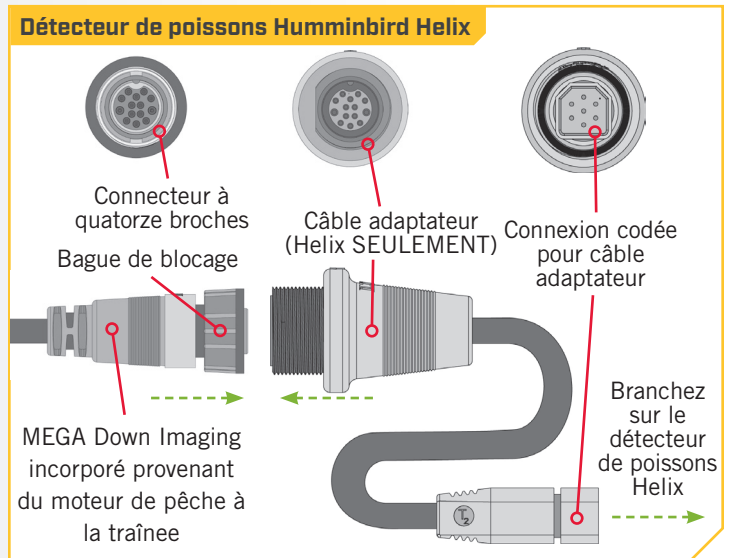
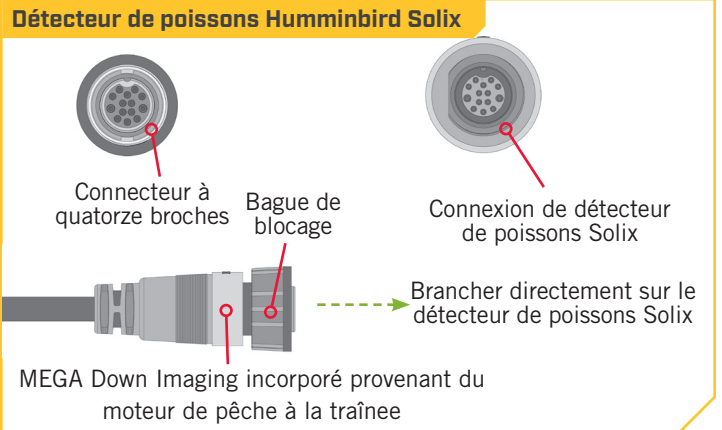
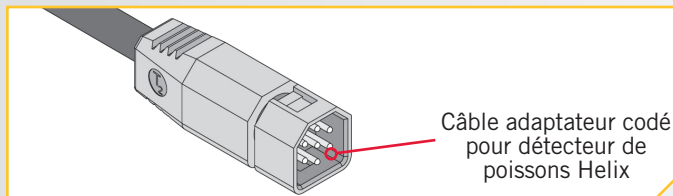
FEATURE OVERVIEW AND CONNECTING THE CABLES

2

- c. **Lors d'une installation avec un Solix**, vous pouvez brancher directement le câble du MEGA Down Imaging incorporé sur le détecteur de poissons Solix. Branchez le câble de MEGA Down Imaging sur la connexion correspondante du détecteur de poissons Solix.
- d. **Lors d'une installation avec un Helix**, fixez d'abord le câble adaptateur et branchez-le ensuite sur le détecteur de poissons Helix. Le câble adaptateur ne présentera qu'une seule connexion codée à l'arrière du détecteur de poissons Helix. Branchez le câble adaptateur sur la seule connexion codée assortie.

AVIS : vérifiez la compatibilité de tout câble adaptateur nécessaire en ligne à minnkotamotors.com. Le câble provenant du moteur de pêche à la traîne peut être prolongé à l'aide d'une rallonge de 10 pi (3 m), n° 720081-1 ou de 30 pi (9 m), n° 720081-2 offerte à humminbird.com.

AVIS : si vous devez acheminer des câbles, veuillez respecter les directives de la section Acheminement des câbles de connexion de ces instructions d'installation.



AVIS : les connecteurs sont codés pour empêcher une installation en sens inverse.

» Universal Sonar

Un système de transducteur Universal Sonar peut être préinstallé sur votre moteur de pêche à la traîne. Le Universal Sonar est un transducteur sonar 2D, doté d'un capteur de température intégré dans le module inférieur du moteur de pêche à la traîne. Il se caractérise par une fréquence de fonctionnement de 83/200 kHz. La connexion de ce transducteur à un détecteur de poissons compatible vous offre une vue sonar 2D de ce qui se passe directement sous votre moteur de pêche à la traîne. La conception intégrée protège le transducteur des risques subaquatiques et empêche les torsions et les dommages aux câbles du transducteur.

Tous les moteurs Universal Sonar sont équipés d'un fil de masse interne. Un mauvais raccordement risque de causer des interférences avec d'autres sonars et peut endommager votre moteur de pêche à la traîne, les composants électroniques ou les autres accessoires de votre bateau. Afin de réduire les interférences causées par le moteur électrique, assurez-vous que le détecteur de poissons et le moteur électrique sont actionnés par des batteries indépendantes. Veuillez vous reporter aux sections sur l'Installation de la batterie et du câblage et Câblage du moteur dans ce manuel pour des directives sur le raccordement.

FEATURE OVERVIEW AND CONNECTING THE CABLES

Les câbles de l'Universal Sonar sont blindés de sorte à réduire les interférences. Afin de protéger ce blindage, il est recommandé de ne pas serrer fermement les câbles contre des coins vifs ni des objets durs. Si des attaches de câble sont utilisées, évitez de trop serrer. Tout surplus de câble devrait être enlacé en une boucle lâche d'au moins 4 po (10 cm) de diamètre. Dans certains cas, des bulles d'air peuvent adhérer à la surface du transducteur Universal Sonar et avoir une incidence sur le rendement. Si cela se produit, essayez simplement la surface du transducteur à l'aide de votre doigt.

AVIS : l'Universal Sonar ne supporte pas les écrans d'imagerie qui nécessitent des fréquences supérieures telles que 455 kHz ou 800 kHz (Down Imaging, Side Imaging, etc.). Les modules spécifiques au « Down Imaging » (DI) ne sont pas compatibles avec l'Universal Sonar. Consultez le tableau des compatibilités sur le site minnkotamotors.com pour obtenir une liste des détecteurs de poissons compatibles.

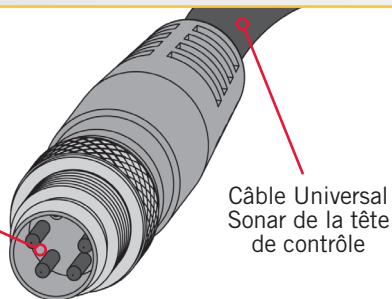
Le connecteur du Universal Sonar sort sous la tête de contrôle du moteur de pêche à la traîne et est composé d'une fiche à quatre broches. Toutes les installations exigent un câble adaptateur (MKR-US2) vendu séparément. Pour obtenir une liste à jour des détecteurs de poissons compatibles et pour connaître le câble adaptateur approprié, ou pour obtenir de plus amples renseignements sur l'Universal Sonar, veuillez visiter minnkotamotors.com.

1

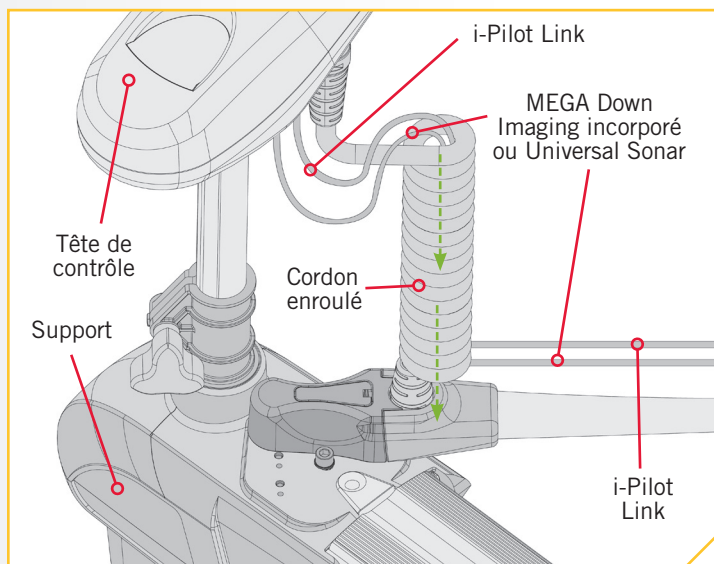
- Placez le moteur dans la position déployée.
- Localisez l'Universal Sonar à la base du montage, le cas échéant.
- Trouvez le connecteur à quatre broches de l'Universal Sonar à l'extrémité de la rallonge de l'Universal Sonar. Le connecteur est noir et est doté d'une bague de blocage fileté en acier inoxydable.

AVIS : votre détecteur de poissons doit être éteint jusqu'à ce que cette procédure soit terminée.

Connecteur à quatre broches



Câble Universal Sonar de la tête de contrôle



AVIS : si la longueur du câble n'est pas suffisante pour atteindre l'emplacement désiré du détecteur de poissons, une rallonge d'une longueur de 14,5 pi (4,3 m) est offerte (MKR-US2-11) (vendue séparément).

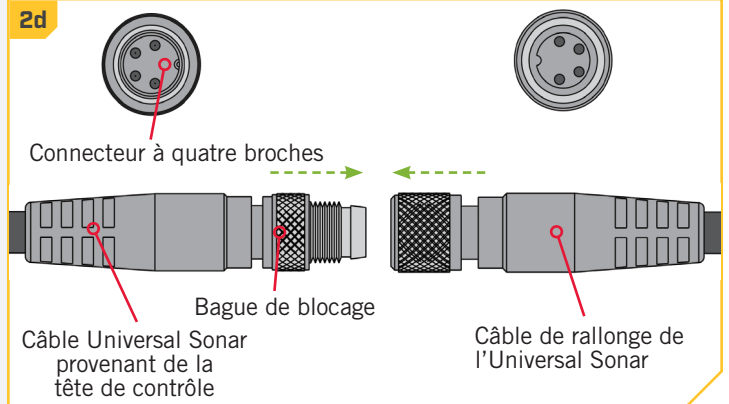
FEATURE OVERVIEW AND CONNECTING THE CABLES

2

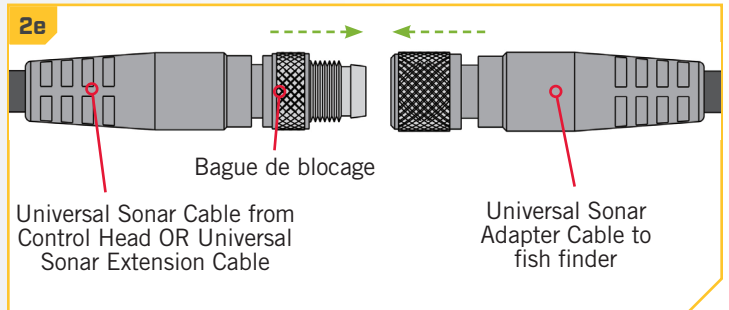
AVIS : le câble de l'Universal Sonar pourrait ne pas être assez long pour atteindre le détecteur de poissons. Si le câble n'atteint pas l'emplacement d'installation voulu du détecteur de poissons, vous pouvez acheter une rallonge de 14,5 pi (4,4 m). Minn Kota recommande d'utiliser le MKR-US2-11.

- d. Si nécessaire, branchez le câble de rallonge de l'Universal Sonar sur le câble Universal Sonar provenant de la tête de contrôle. Raccordez fermement les fiches et tournez le mécanisme de verrouillage jusqu'à ce qu'il bloque.
- e. Installez le câble Universal Sonar provenant de la tête de contrôle, ou le câble de rallonge de l'Universal Sonar (si utilisé), au câble adaptateur approprié de l'Universal Sonar. Installez le câble adaptateur sur votre détecteur de poissons. Consultez le manuel de votre détecteur de poissons pour les directives d'installation complètes.

AVIS : Si vous devez acheminer des câbles, veuillez respecter les directives de la section Acheminement des câbles de connexion des présentes instructions d'installation.



AVIS : les connecteurs sont codés pour empêcher une installation en sens inverse.



› i-Pilot Link

L'i-Pilot Link permet à votre moteur de pêche à la traîne Minn Kota et Humminbird de communiquer ensemble afin de modifier votre méthode de pêche. L'i-Pilot Link offre une grande gamme de capacités GPS, dont contrôle de la vitesse, direction, Spot-Lock, ainsi que la capacité d'enregistrer ou de reproduire des itinéraires aquatiques, toutes du bout des doigts. Pour en savoir plus sur les capacités GPS offertes avec votre système de navigation i-Pilot Link, veuillez consulter le manuel du propriétaire en visitant minnkotamotors.com.

Le contrôleur et la télécommande i-Pilot Link constituent le système de navigation i-Pilot Link. La télécommande i-Pilot Link est couplée au contrôleur en usine. Le contrôleur i-Pilot Link contient une boussole très sensible et assure la réception de tous les signaux des satellites GPS et de la télécommande i-Pilot Link. Le contrôleur i-Pilot Link est intégré à la tête de contrôle du moteur de pêche à la traîne et est connecté à un détecteur de poissons par un câble de connexion provenant de la tête de contrôle.

AVIS : le système i-Pilot Link nécessite une connexion externe câblée. Le système i-Pilot n'a pas besoin d'une connexion externe câblée.

Le câble Ethernet pour le système i-Pilot Link possède un connecteur à huit broches. Le système i-Pilot Link peut être connecté directement au Humminbird ou au commutateur Ethernet Humminbird (facultatif). Si vous achetez un commutateur Ethernet, installez-le conformément aux instructions incluses dans le guide d'installation Ethernet. La rallonge Ethernet est facultative pour votre installation. Pour acheter des commutateurs Ethernet, des câbles Ethernet et des rallonges, visitez humminbird.com ou téléphonez au service à la clientèle Humminbird au 1 800 633-1468. Selon la forme du port Ethernet de votre détecteur de poissons Humminbird, un câble adaptateur Ethernet supplémentaire (**câble adaptateur Ethernet AS EC QDE n° 720074-1 pour les détecteurs de poissons Helix**) may be required for the installation. Refer to your fish finder operations manual or see the **tableau de compatibilité du i-Pilot Link** on our web site with a list of all compatible Humminbird Units and SC Cards.

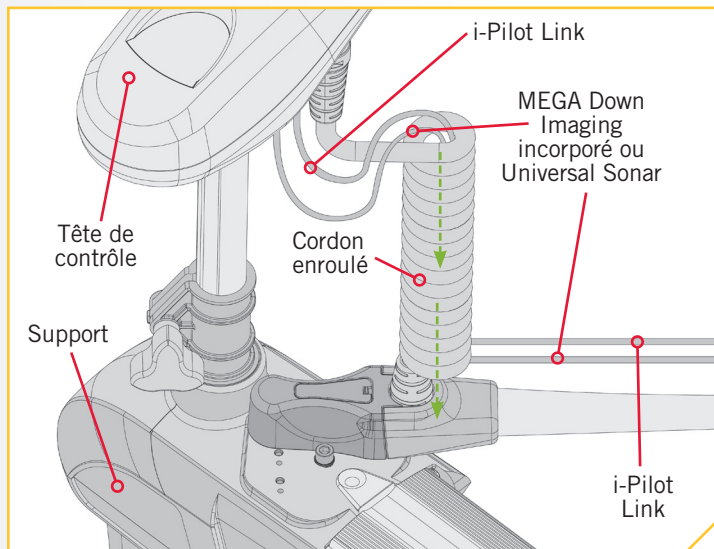
FEATURE OVERVIEW AND CONNECTING THE CABLES

1

- a. Placez le moteur dans la position déployée.
- b. Le connecteur du i-Pilot Link provenant de la tête de contrôle possède huit broches. Localisez et identifiez la connexion appropriée pour l'i-Pilot Link à la base de la tête de contrôle.

AVIS : l'i-Pilot Link sera apparié soit avec le MEGA Down Imaging incorporé ou l'Universal Sonar sur les moteurs Ultrex, Ultra ou Terrova. La caractéristique i-Pilot Link n'est pas offerte sur les moteurs Fortrex.

AVIS : apparié à un connecteur d'Universal Sonar à des fins d'illustration. Il peut plutôt exister un connecteur de MEGA Down Imaging incorporé.



2

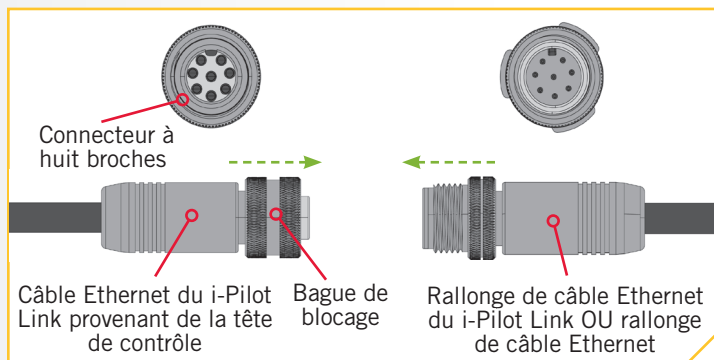
ARTICLE(S) REQUIS



- c. Si nécessaire pour atteindre le détecteur de poissons, fixez le câble Ethernet du i-Pilot Link (article n° 24) sur le câble i-Pilot Link provenant de la tête de contrôle.

AVIS : si vous devez acheminer des câbles, veuillez respecter les directives de la section Acheminement des câbles de connexion des présentes instructions d'installation.

- d. Branchez le câble Ethernet du i-Pilot Link directement sur le détecteur de poissons Humminbird, ou consultez la notice d'installation de votre détecteur de poissons pour les directives d'installation complètes. Si un câble adaptateur (câble adaptateur Ethernet AS EC QDE pour les détecteurs de poissons Helix) s'avère nécessaire, branchez-le sur l'extrémité du câble Ethernet du i-Pilot Link et consultez la notice d'installation de votre détecteur de poissons pour les directives d'installation complètes.



AVIS : les connecteurs sont codés pour empêcher une installation en sens inverse.

INSTALLATION DE L'HÉLICE

1

ARTICLE(S) REQUIS

 #7 x 1  #8 x 1  #9 x 1 |  #10 x 1

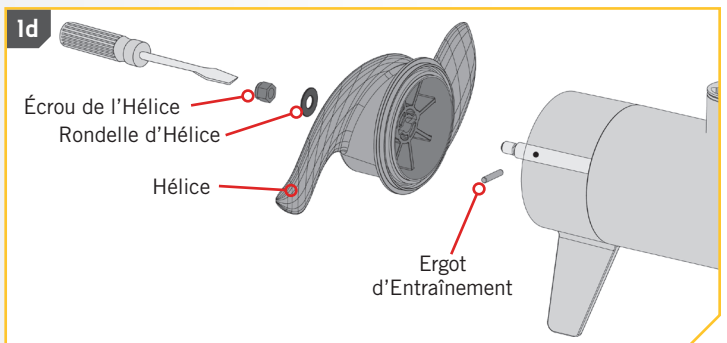
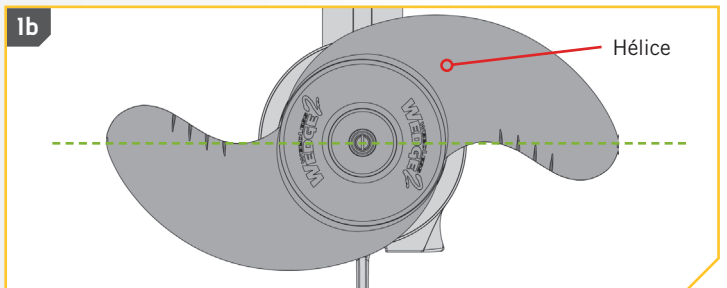
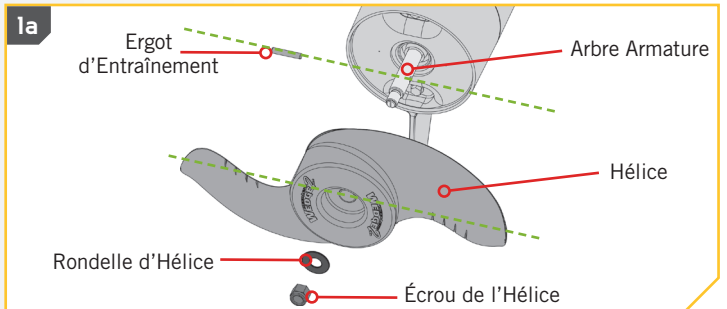
ATTENTION

Débranchez le moteur de la batterie avant d'effectuer tout travail ou entretien sur l'hélice.

- Prenez l'ergot d'entraînement (Article n° 10) et glissez-le dans l'orifice de l'arbre d'armature. Placez l'ergot d'entraînement à l'horizontale en saisissant l'arbre d'armature et en le tournant avec l'ergot d'entraînement en place.
- Alignez l'hélice (Article n° 7) de manière à ce qu'elle soit à l'horizontale et parallèle à l'ergot d'entraînement. Glissez l'hélice sur l'arbre d'armature et l'ergot d'entraînement jusqu'à ce qu'elle repose contre l'appareil inférieur.
- Installez la rondelle de l'hélice (Article n° 8) et l'écrou de l'hélice (Article n° 9) sur l'extrémité de l'arbre d'armature.
- En tenant l'extrémité de l'arbre d'armature avec un tournevis à lame plate, serrez l'écrou de l'hélice avec une clé plate 9/16 po (14,29 cm).
- Serrez l'écrou d'hélice 1/4 de tour passé le serrage confortable à 25-35 po lb (2,8-4 Nm).

ATTENTION

Ne pas trop serrer pour ne pas endommager l'hélice.



INSTALLATION DES BATTERIES ET DU CÂBLAGE

GRÉEMENT DE L'EMBARCATION ET INSTALLATION DU PRODUIT

Pour des raisons de sécurité et de conformité, nous vous recommandons de suivre les normes du conseil américain sur les embarcations et les yachts (ABYC) pour le gréement de l'embarcation. Les altérations dans le câblage de l'embarcation devraient être complétées par un technicien de marine qualifié. Les spécifications suivantes sont seulement des lignes directrices générales:

ATTENTION

Ces lignes directrices s'appliquent au gréement général pour soutenir le moteur de Minn Kota. L'alimentation de multiples moteurs ou d'autres appareils électriques, à partir du même circuit d'alimentation, peut influencer sur le gabarit de conducteurs et le dimensionnement des disjoncteurs recommandé. Pour un fil plus long que celui fourni avec l'appareil, suivre le tableau de dimensionnement de gabarit des conducteurs et des disjoncteurs du tableau ci-dessous. Si la longueur totale de la rallonge est de plus de 25 pi (7,60 m), nous vous recommandons de communiquer avec un technicien maritime qualifié.

ATTENTION

Un dispositif de protection contre la surintensité (disjoncteur ou fusible) doit être utilisé. Les préalables de la garde côtière exigent que chaque conducteur de courant, qui n'est pas fixé, soit protégé par un fusible ou un disjoncteur qui se réinitialise manuellement et qui ne peut se déclencher automatiquement. Le dimensionnement du type (courant et tension de puissance nominale) de fusible ou de disjoncteur doit être choisi en fonction du propulseur électrique utilisé. Le tableau ci-dessous donne les lignes directrices recommandées pour ce qui est du dimensionnement des disjoncteurs.

TABLEAU DES DIMENSIONS DE GABARIT DES CONDUCTEURS ET DISJONCTEURS

Le présent tableau des dimensions de gabarit des conducteurs et disjoncteurs est uniquement valable pour les hypothèses suivantes:

1. Il n'y a pas plus de 2 conducteurs qui sont regroupés à l'intérieur d'une gaine ou d'un conduit à l'extérieur de l'espace moteur.
2. Chaque conducteur est muni d'un isolant d'une température nominale de 105 °C.
3. Aucune chute de tension de plus de 5 % n'est autorisée lorsque le moteur est à plein régime, en fonction des exigences en matière d'alimentation du produit qui ont été publiées.

Modèle/ Poussée du Moteur	Courant Tiré Max	Disjoncteur	Longueur de la Rallonge				
			1.5 mètres	3 mètres	4.5 mètres	6 mètres	7.5 mètres
30 lb.	30	50 Amp @ 12 VDC	6 mm ²	6 mm ²	10 mm ²	16 mm ²	25 mm ²
40 lb., 45 lb.	42		6 mm ²	10 mm ²	16 mm ²	25 mm ²	25 mm ²
50 lb., 55 lb.	50	60 Amp @ 12 VDC	10 mm ²	16 mm ²	25 mm ²	25 mm ²	35 mm ²
70 lb.	42	50 Amp @ 24 VDC	6 mm ²	6 mm ²	10 mm ²	10 mm ²	16 mm ²
80 lb.	56	60 Amp @ 24 VDC	10 mm ²	10 mm ²	10 mm ²	16 mm ²	16 mm ²
101 lb.	46	50 Amp @ 36 VDC	10 mm ²	10 mm ²	10 mm ²	10 mm ²	10 mm ²
Engine Mount 101	50	60 Amp @ 36 VDC	10 mm ²	10 mm ²	10 mm ²	10 mm ²	10 mm ²
112 lb.	52	60 Amp @ 36 VDC	10 mm ²	10 mm ²	10 mm ²	10 mm ²	10 mm ²
Engine Mount 160	116	(2) x 60 Amp @ 24 VDC	16 mm ²	16 mm ²	25 mm ²	35 mm ²	35 mm ²
E-Drive	40	50 Amp @ 48 VDC	6 mm ²	6 mm ²	6 mm ²	6 mm ²	6 mm ²

AVIS : La longueur de la rallonge fait référence à la distance séparant les batteries des fils du propulseur électrique. Consultez le site Web pour connaître les options d'impulsion. Les valeurs d'intensité maximales ont lieu de manière intermittente durant certaines conditions et ne doivent pas être utilisées comme valeur nominale continue.

Référence
Le code des règlements fédéraux des États-Unis : article 183 du titre 33 du CFR - Embarcations et équipements associés ABYC E-11 : systèmes électriques CA et CC sur les embarcations.

SÉLECTIONNER UNE BATTERIE ADÉQUATE

COMMENT SÉLECTIONNER LES BATTERIES ADÉQUATES

Le moteur fonctionnera avec toute batterie marine plomb/acide à décharge profonde de 12 volts. Pour un meilleur résultat, utilisez une batterie marine à décharge profonde avec ampérage nominal d'au moins 105 ampères/heure. Maintenez la batterie complètement chargée. Un entretien adéquat fera en sorte que le courant sera disponible le moment venu et améliorera considérablement la durée de vie de la batterie. Le fait de ne pas recharger les batteries au plomb (dans les 12 à 24 heures) est la principale cause de défaillance prématurée de celles-ci. Utilisez un chargeur multiphase pour éviter une surcharge. Nous offrons une vaste sélection de chargeurs en fonction de vos besoins. Si vous utilisez une batterie à manivelle pour démarrer un moteur hors-bord à essence, nous vous recommandons d'utiliser des batteries marines à décharge profonde séparées pour votre propulseur électrique Minn Kota. Pour de plus amples informations sur la sélection et le gréement de batterie, veuillez visiter minnkotamotors.com.

AVERTISSEMENT

Ne jamais brancher les bornes (+) et (-) de la batterie ensemble. S'assurer qu'aucun objet métallique ne puisse tomber sur la batterie et provoquer un court-circuit aux bornes. Cela provoquerait immédiatement un court-circuit et un risque extrême d'incendie.

ATTENTION

Consultez le "Tableau des dimensions de gabarit des conducteurs et disjoncteurs" dans la section précédente pour trouver le disjoncteur ou fusible approprié convenant à votre moteur. Pour les moteurs nécessitant un disjoncteur de 60 A, le disjoncteur Minn Kota MKR-19 60 A est recommandé.

ATTENTION

Veuillez lire les renseignements suivants avant de connecter votre moteur à vos batteries afin d'éviter d'endommager votre moteur ou d'annuler votre garantie.

AUTRES POINTS À CONSIDÉRER

› Utilisation de chargeurs-onduleurs

Votre moteur de pêche à la traîne Minn Kota peut être conçu avec un fil de masse interne pour réduire les interférences avec d'autres sonars. La plupart des systèmes de charge alternateurs ne tiennent pas compte de ce fil de masse et connectent les bornes négatives des batteries du moteur de pêche à la traîne aux bornes négatives de la batterie à manivelle/de démarrage. Ces connexions externes peuvent endommager les composants électroniques connectés ou le système électrique de votre moteur de pêche à la traîne et ainsi annuler votre garantie. Passez attentivement en revue le manuel de votre chargeur ou consultez son fabricant afin de vous assurer que votre chargeur est compatible avant de l'utiliser.

Minn Kota recommande l'utilisation de chargeurs de marque Minn Kota pour recharger les batteries connectées à votre propulseur électrique Minn Kota, étant donné qu'ils ont été conçus de sorte à fonctionner avec les moteurs dotés d'un fil de masse.

› Accessoires Supplémentaires Connectés aux Batteries du Propulseur électrique

Votre moteur Minn Kota, les composants électroniques de votre bateau ou votre bateau peuvent subir des dommages importants si de mauvaises connexions ont été effectuées entre les batteries de votre propulseur électrique et un autre système de batterie. Minn Kota recommande d'utiliser un système de batterie exclusif pour votre propulseur électrique. Lorsque possible, les accessoires doivent être branchés sur un système de batterie séparé. Les radios et les sonars ne doivent être connectés à aucune batterie du propulseur

CONNEXION DES BATTERIES EN SÉRIE

électrique étant donné que les interférences provenant du propulseur électrique sont inévitables. Lorsque vous connectez un accessoire supplémentaire à l'une des batteries du propulseur électrique, ou lorsque vous effectuez des connexions entre les batteries du propulseur électrique et d'autres systèmes de batterie sur le bateau, assurez-vous de respecter attentivement les indications ci-dessous. La connexion négative (-) doit être connectée à la borne négative de la même batterie à laquelle la borne négative du propulseur électrique est connectée. Sur le tableau, cette batterie est appelée batterie « côté inférieur ». La connexion à une autre batterie du propulseur électrique fera entrer une tension positive dans la « mise à la terre » de cet accessoire, pouvant causer une corrosion excessive. Tout dommage causé par de mauvaises connexions entre les systèmes de batterie ne sera pas couvert par la garantie.

› Systèmes de démarrage d'Appoint et Commutateurs

Les systèmes de démarrage d'appoint et les commutateurs relient les bornes négatives des batteries connectées entre elles. La connexion de ces systèmes à la batterie "Côté Supérieur" ou à la batterie "Milieu" risque de causer d'importants dommages à votre propulseur électrique ou aux composants électroniques. La seule batterie du propulseur électrique qui peut être connectée de façon sécuritaire à un de ces systèmes est la batterie "Côté inférieur".

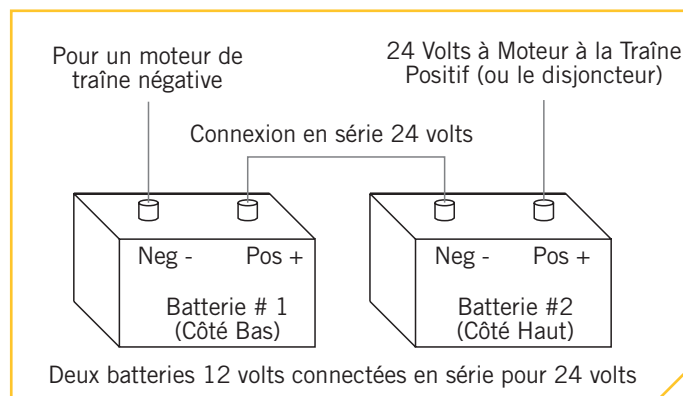
AVIS: Le fil de masse interne est doté d'un fusible de 3 A. Les mauvaises connexions décrites ci-dessus avec une intensité supérieure à 3 A feront sauter ce fusible et aucun autre dommage ne sera exposé. Si cela se produit, les interférences RF du propulseur électrique affectant les sonars et les autres composants électroniques seront plus significatives. Si le fusible saute, il faut trouver le mauvais raccordement et le résoudre avant de remplacer le fusible. Le fusible de rechange devrait être d'un courant de 3 A ou moins. Un fusible intact ne signifie pas un raccordement adéquat; d'importants dommages peuvent être causés par un câblage incorrect sans pour autant que le courant n'approche 3 A.

BRANCHER LES BATTERIES EN SÉRIE (SI REUIS POUR VOTRE MOTEUR)

› Systèmes de 24 Volts

Deux batteries de 12 volts sont nécessaires. Les batteries doivent être branchées en série, uniquement tel qu'illustré dans le schéma de câblage, afin de fournir 24 volts.

1. Assurez-vous que le moteur est éteint (sélecteur de vitesse sur "0").
2. Branchez un câble de raccordement à la borne positive (+) de la batterie 1 et à la borne négative (-) de la batterie 2.
3. Branchez le fil rouge positif (+) à la borne positive (+) sur la batterie 2.
4. Branchez le fil noir négatif (-) à la borne négative (-) de la batterie 1.



AVERTISSEMENT

Pour des raisons de sécurité, ne pas allumer le moteur jusqu'à ce que l'hélice soit dans l'eau. Si vous installez un raccordement en fil de plomb, respectez les polarités appropriées et suivez les instructions qui se trouvent dans votre manuel du propriétaire du bateau.

CONNEXION DES BATTERIES EN SÉRIE

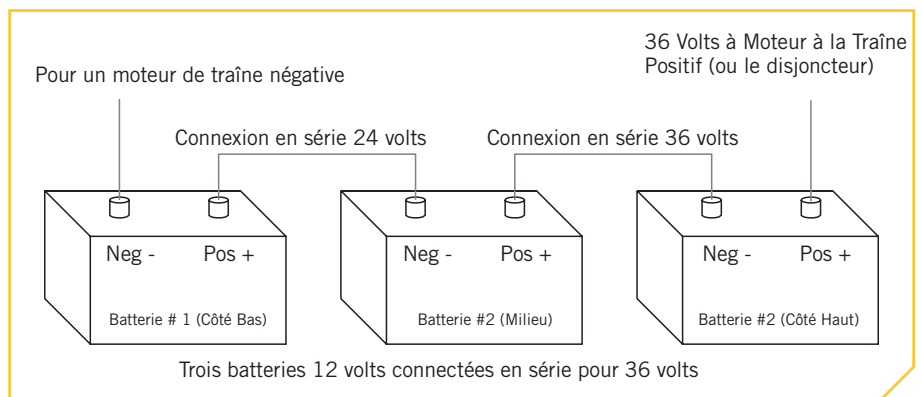
AVERTISSEMENT

- Pour des raisons de sécurité, débranchez le moteur des batteries lorsque le moteur n'est pas utilisé ou pendant la charge.
- Une mauvaise installation du câblage des systèmes de 24/36 volts pourrait provoquer une explosion des batteries.
- Gardez le serrage des écrous de papillon de raccordement solide et bien serré autour des bornes de la batterie.
- Installez la batterie dans un compartiment ventilé.

› Systèmes de 36 Volts

Trois batteries de 12 volts sont nécessaires. Les batteries doivent être branchées en série, uniquement tel qu'illustré dans le schéma de câblage, afin de fournir 36 volts.

1. Assurez-vous que le moteur est éteint (sélecteur de vitesse sur "0").
2. Branchez un câble de raccordement à la borne positive (+) de la batterie 1 et à la borne négative (-) de la batterie 2. Branchez autre câble de raccordement à la borne positive (+) de la batterie 2 et à la borne négative (-) de la batterie 3.
3. Branchez le fil rouge positif (+) à la borne positive (+) sur la batterie 3.
4. Branchez le fil noir négatif (-) à la borne négative (-) de la batterie 1.



AVERTISSEMENT

Pour des raisons de sécurité, ne pas allumer le moteur jusqu'à ce que l'hélice soit dans l'eau. Si vous installez un raccordement en fil de plomb, respectez les polarités appropriées et suivez les instructions qui se trouvent dans votre manuel du propriétaire du bateau.

AVERTISSEMENT

- Pour des raisons de sécurité, débranchez le moteur des batteries lorsque le moteur n'est pas utilisé ou pendant la charge.
- Une mauvaise installation du câblage des systèmes de 24/36 volts pourrait provoquer une explosion des batteries.
- Gardez le serrage des écrous de papillon de raccordement solide et bien serré autour des bornes de la batterie.
- Installez la batterie dans un compartiment ventilé.

Ceci termine l'installation de votre Ultrex. Manuel du propriétaire complet peut être téléchargé à l'adresse minnkotamotors.com.

ACCESSOIRES RECOMMANDÉS

▶ CHARGEURS DE BATTERIE EMBARQUÉS ET PORTATIFS

Ne plus acheter de nouvelles batteries et commencer à prendre soin de celles déjà en votre possession. Plusieurs chargeurs peuvent en fait endommager les batteries à la longue, pouvant entraîner une autonomie réduite et une durée de vie plus courte. Les chargeurs Minn Kota à commande numérique assurent une charge rapide pour une protection et une durée de vie prolongée.



MK212PC



MK210D



MK110PD

▶ ANCRE POUR EAUX PEU PROFONDES TALON

Voici le tout nouveau Talon à nouvelle conception profilée. Talon est la seule ancre pour eaux peu profondes avec jusqu'à 15 pi (4,6 m) de profondeur d'ancrage, plusieurs modes d'ancrage et le contrôle à partir de la proue, du tableau arrière, de la console, de la télécommande ou d'un appareil mobile.



ÉCLAIRAGE DE TRAVAIL INTÉGRÉ

Vous permet de fixer les lignes et de travailler à partir du tableau arrière à tout moment de la journée, ou de la nuit. Comprend des lumières DEL blanches et bleues avec trois intensités.



JUSQU'À UNE PROFONDEUR DE 15 PI (4,6 M)

Contrôlez plus d'eau et attrapez plus de poissons avec la première ancre de 15 pi (4,6 m) pour eau peu profonde.



CONNECTIVITÉ BLUETOOTH®

Vous permet de contrôler votre Talon à partir de votre appareil mobile, ainsi que le mettre à jour facilement. Elle ouvre aussi la communication à d'autres options de contrôle.



D'AUTRES OPTIONS DE COMMANDE

- Panneau de commande
- Télécommande sans fil
- Application mobile
- Pédale sans fil
- Connectivité Humminbird^{MD}
- Télécommande i-Pilot[®] et i-Pilot Link



▶ ACCESSOIRES MINN KOTA

Nous offrons un large éventail d'accessoires pour les propulseurs électriques, y compris:

- Un Disjoncteur de 60 A
- Des Supports de Montage
- Des Ensembles Stabilisateur
- Des Rallonges de Poignée
- Des connecteurs de batterie
- Bacs à Batterie
- Des fiches de connexion rapide

