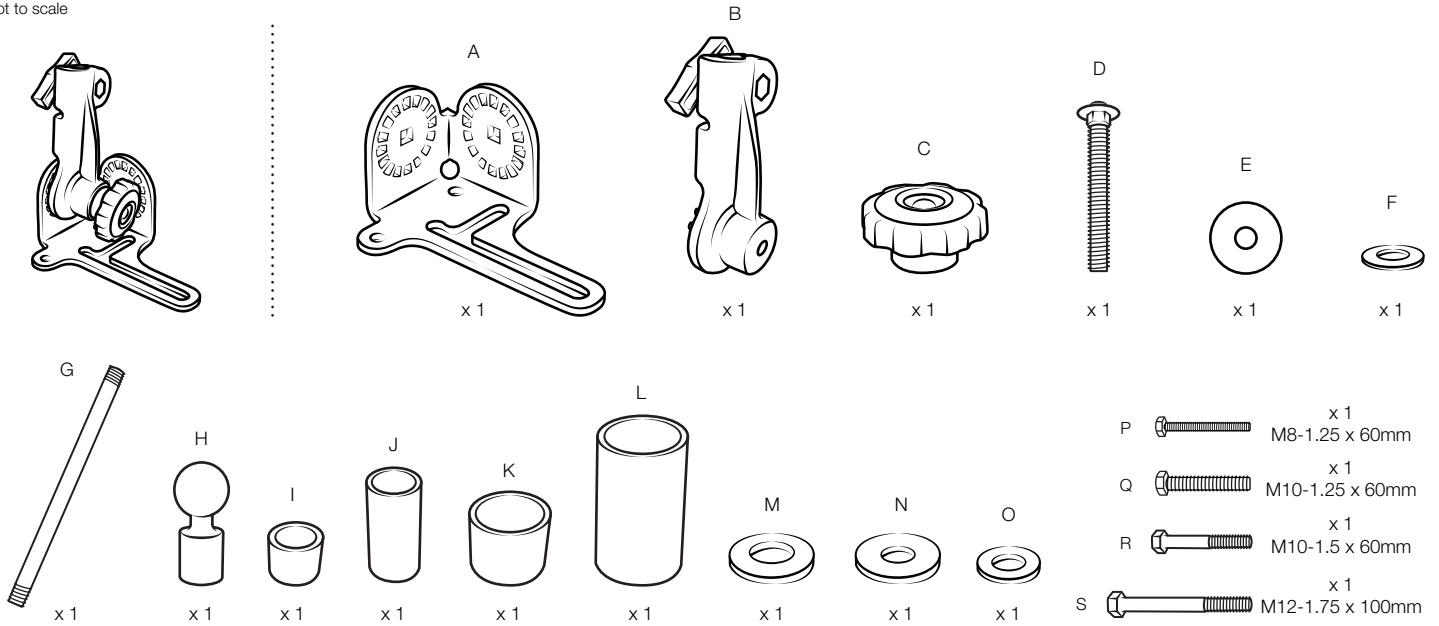
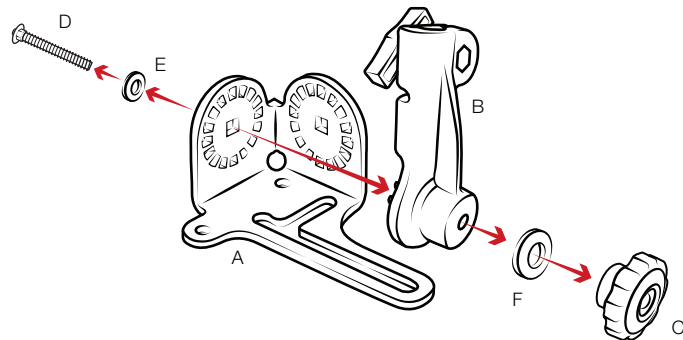


Parts Index

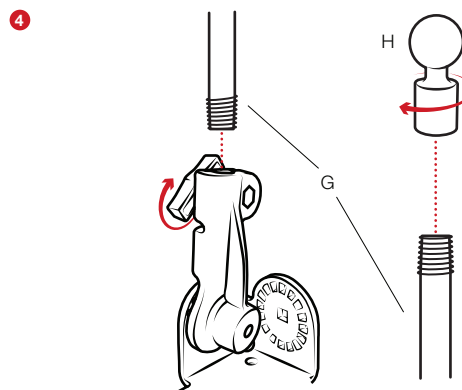
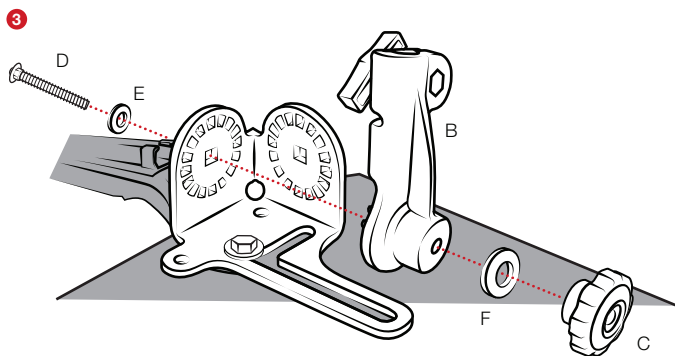
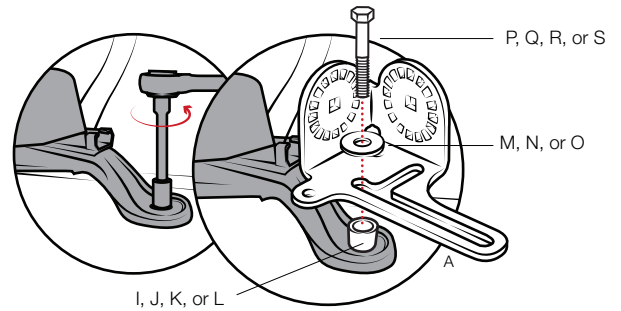
* not to scale



1 Disassemble the base subassembly.



2 Expose and remove factory seat bolt under passenger side seat. Select the (I, J, K, or L) spacer that best fits your seat and place over the hole. Fit (A) RAM® Pod HD™ Base over the spacer and fit the (P, Q, R, or S) compatible bolt with (M, N, or O) compatible washer through the base.



RMR-INS-316-HDR



Safety Precaution

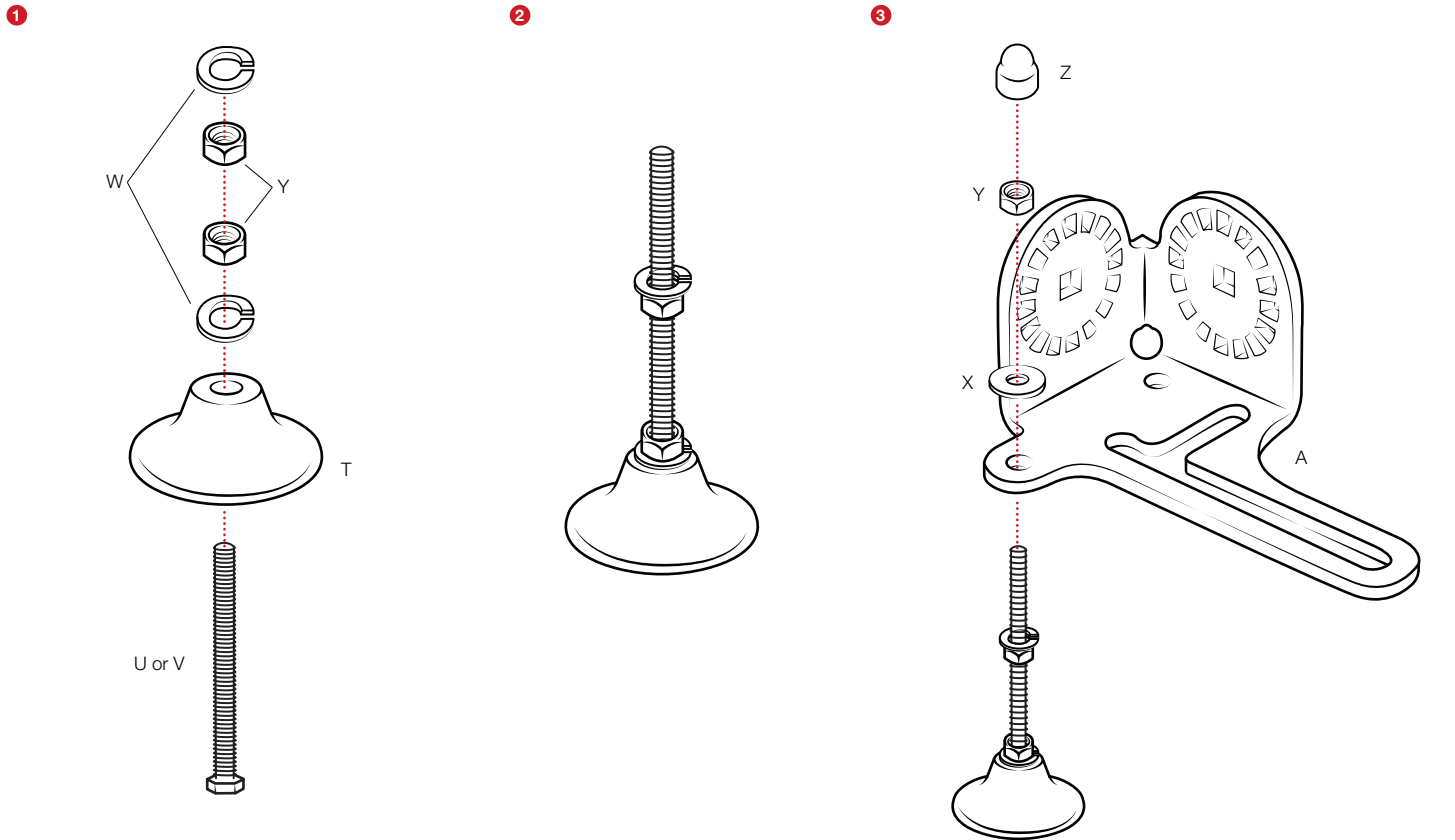
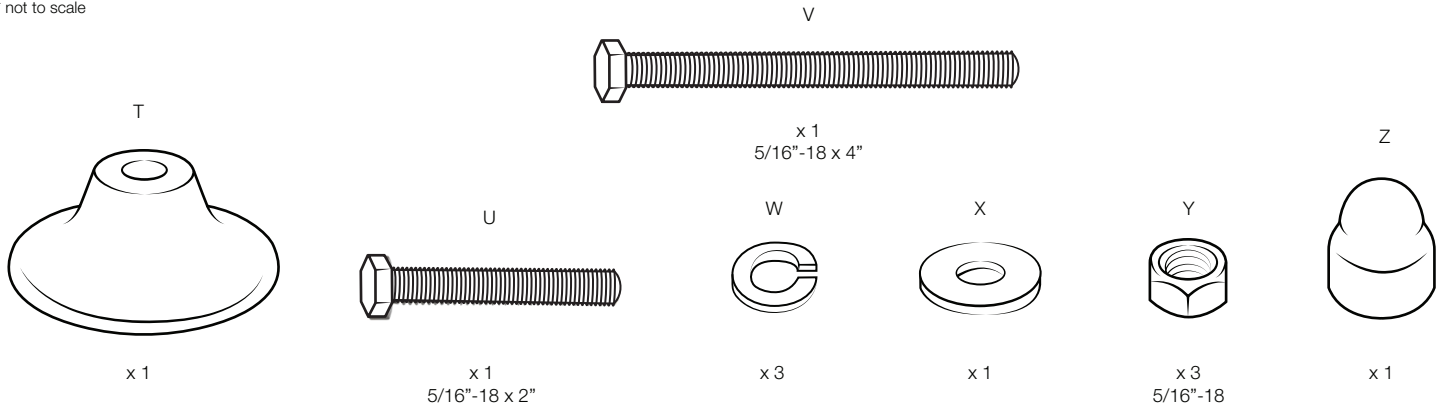
Do not install this product near or over an airbag deployment area or in a location that obstructs the driver's vision or interferes with vehicle operation. National Products, Inc does not assume responsibility or liability for any such personal injury, death or property damage.

Optional Foot Stabilizer Assembly

If there is a 1.5" - 1.75" gap or 3 3/8" - 3 5/8" gap between the RAM® Pod HD™ base and the floor of your vehicle, this foot stabilizer kit can be assembled to the bottom of your base to provide extra stabilization for the RAM® Pod HD™, most noticeable when driving on rough roads and/or holding heavier devices.

Parts Index

* not to scale



RMR-INS-316-HDR



Safety Precaution

Do not install this product near or over an airbag deployment area or in a location that obstructs the driver's vision or interferes with vehicle operation. National Products, Inc does not assume responsibility or liability for any such personal injury, death or property damage.