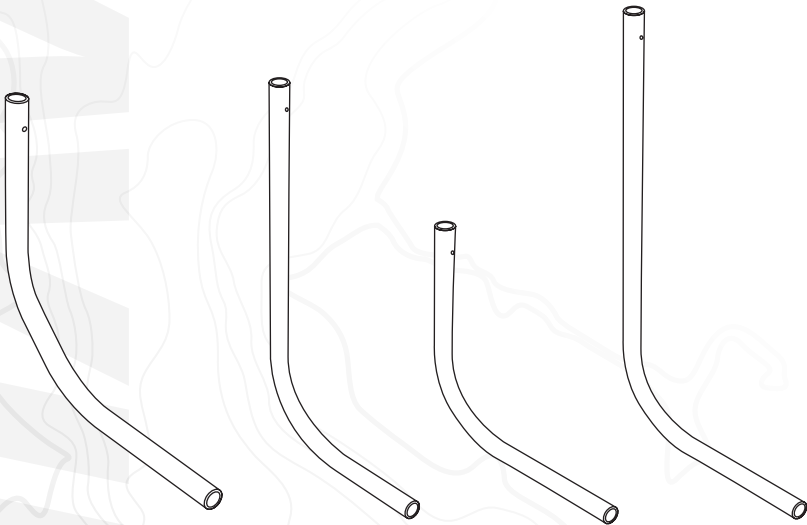


# **SEAVIEW**

**ELEVATE YOUR ELECTRONICS**



## **INSTALLATION INSTRUCTIONS**

For Seaview Modular Light Bars:

***LTBR, LTBS, LTB13, LTBS24***

Refer to website for most up to  
date instructions and videos.

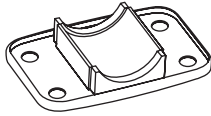
**[WWW.SEAVIEWGLOBAL.COM](http://WWW.SEAVIEWGLOBAL.COM)**

# PARTS INCLUDED

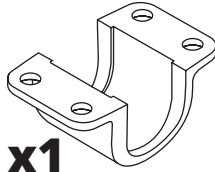


5/16" X 1"

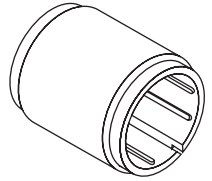
**x4**  
(516181FHCS)



**x1**  
(LTB3)

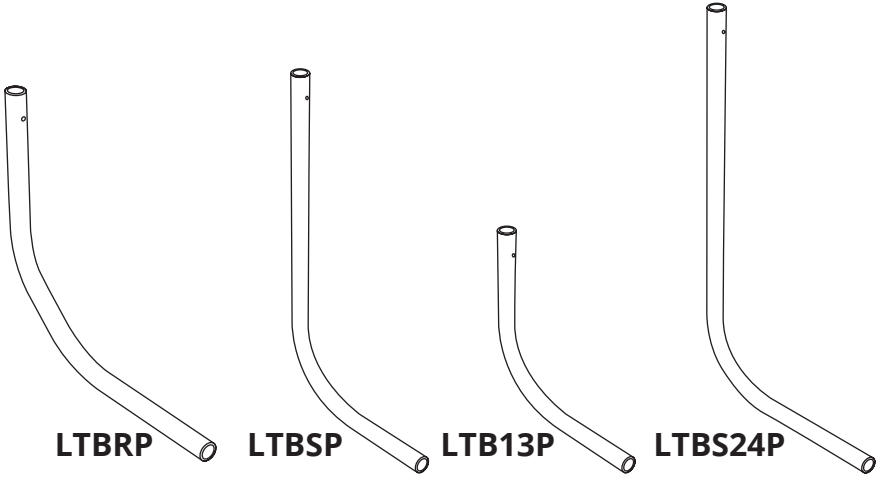


**x1**  
(LTB4)



**x1**  
(LTB2)

**x1**



LTBRP

LTBSP

LTB13P

LTBS24P

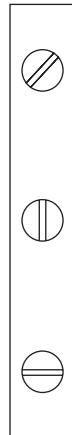
# TOOLS NEEDED



Sudbury Elastomeric Marine Sealant is recommended. To purchase call 800-655-7922 or visit [www.seaviewglobal.com](http://www.seaviewglobal.com)

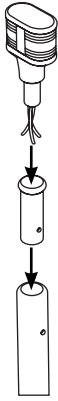


5/32 = 4mm

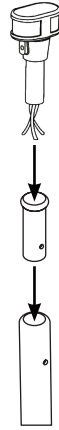


Route wiring through the Light Bar and then insert light into Light Bar. Procedure may vary depending on which light bar top you have.

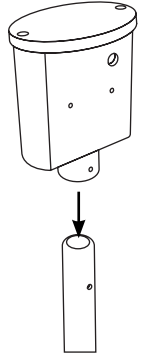
**1A**



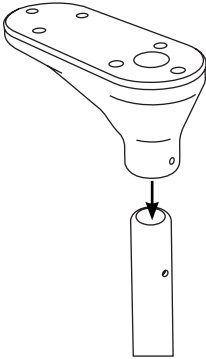
**1B**



**1C**



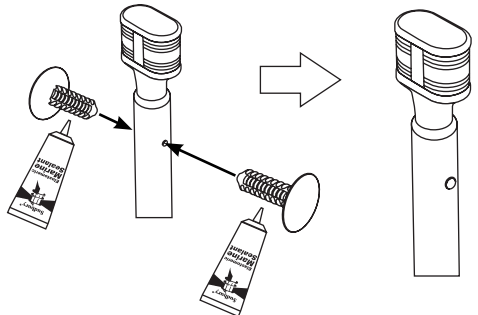
**1D**



**1E**

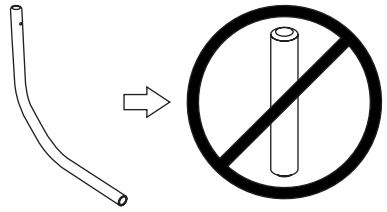


**2** Once your Light Bar Top is in place secure it with the two black rivets. Add sealant to each rivet prior to pushing into each hole.



# 3A

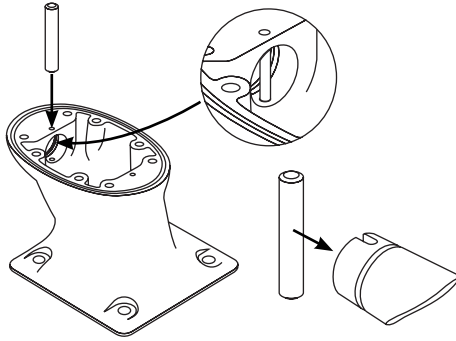
If you are using a light bar, do not use the provided pin.



---

# 3B

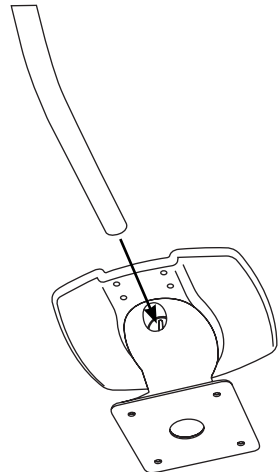
If you are not using a light bar insert the pin. Then insert the white plastic plug into the light bar hole. It should snap onto the pin.



---

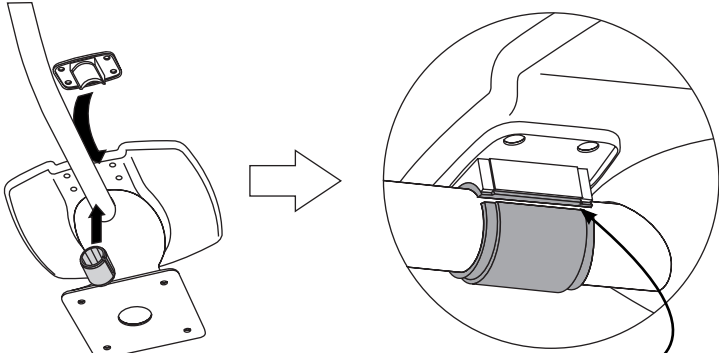
# 4

Insert the Light Bar into the back of the Seaview mount.



# 5

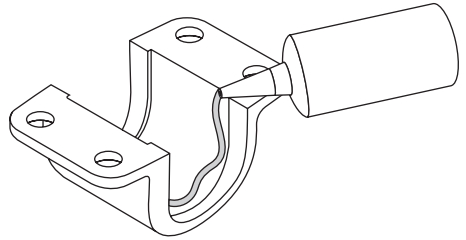
Place the rubber sleeve around the Light Bar then place the white plastic adapter on top. Be sure that the adapter locks into place onto the sleeve. The four bolt holes on the adapter should line up to the four holes on the Seaview Top Plate.



Be sure that the slit in the sleeve lines up with the edge of the adapter.

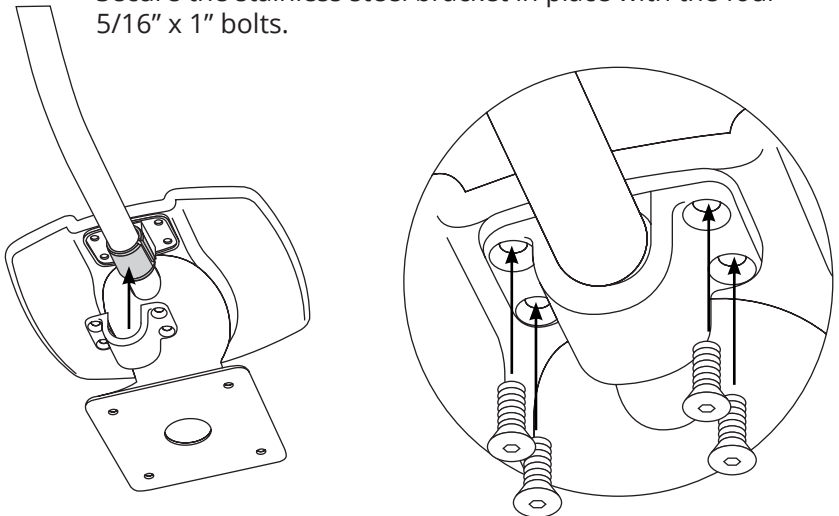
# 6

Apply soapy water onto the stainless steel bracket as shown here.



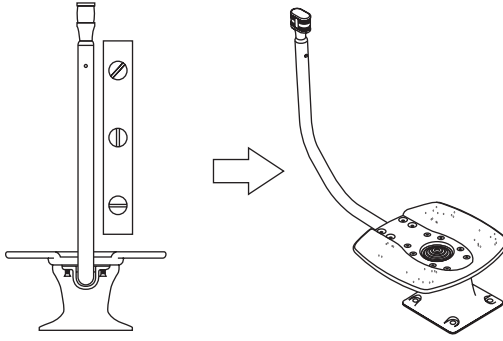
# 7

Secure the stainless steel bracket in place with the four 5/16" x 1" bolts.



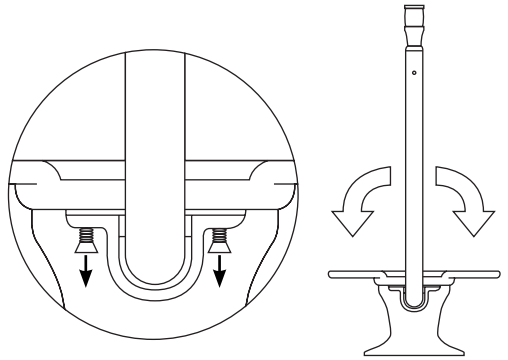
# 8

Make sure that the Light Bar is level.



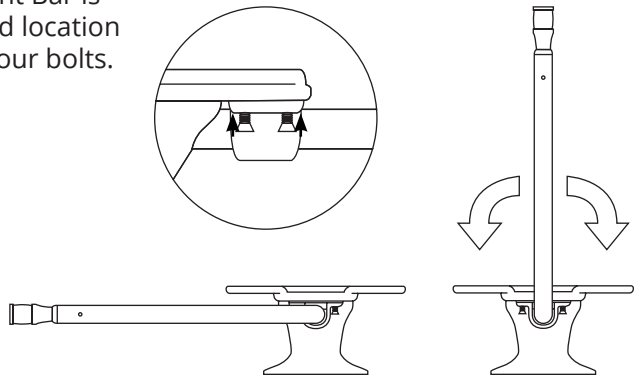
# 9

To rotate the Light Bar left or right simply loosen the four bolts.



# 10

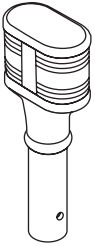
Once the Light Bar is in the desired location tighten the four bolts.



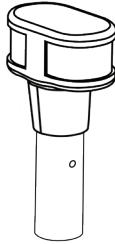
# OPTIONAL ACCESSORIES

Call 800-655-7922 or visit [www.seaviewglobal.com](http://www.seaviewglobal.com) for available accessories.

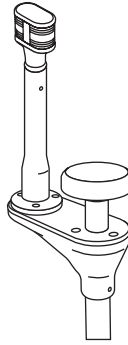
## LIGHT BAR TOPS



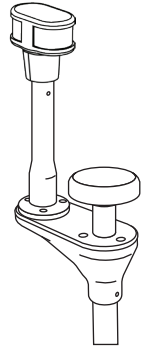
**LTBP-1197**  
Perko 1197  
incandescent light.



**LTBP-1697**  
Perko LED Light.

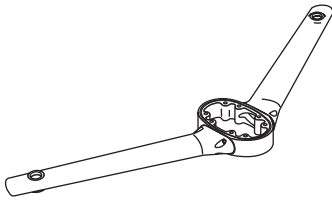


**LTBU1A1197**  
Light Bar Top  
with Perko 1197  
incandescent  
light, can fit GPS.



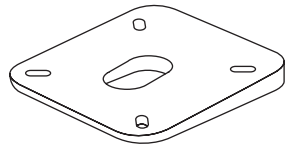
**LTBU1A1697**  
Light Bar Top  
with Perko LED  
light, can fit GPS.

## SPREADER KIT



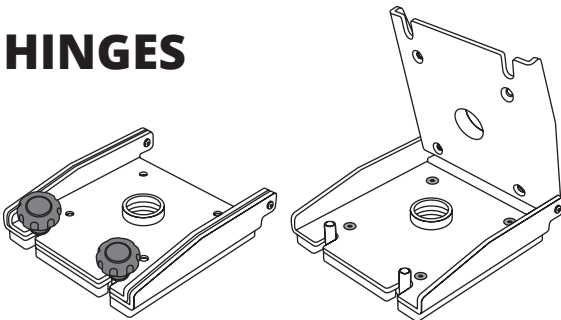
**SP1-MOD**  
Allows user to mount GPS units or  
antennas onto a Seaview Modular  
Mount.

## WEDGES



Compensates for plane angle.  
Available in 2, 4 or 6 degree wedges.

## HINGES



Seaview Hinge Adapters fold  
in any direction necessary for  
added height clearance.

The background of the entire page is a light gray topographic map with white contour lines. The lines are irregular and wavy, representing elevation changes across a landscape. The map is centered and covers the entire area.

***SEAVIEW//***  
***ELEVATE YOUR ELECTRONICS***

***SEAVIEW//***

Tel: 800-655-7922  
[www.seaviewglobal.com](http://www.seaviewglobal.com)

***EUROPEAN OFFICE***

Tel: +33 4 94 53 27 70  
[www.seaviewprogress.com](http://www.seaviewprogress.com)

5-03082021