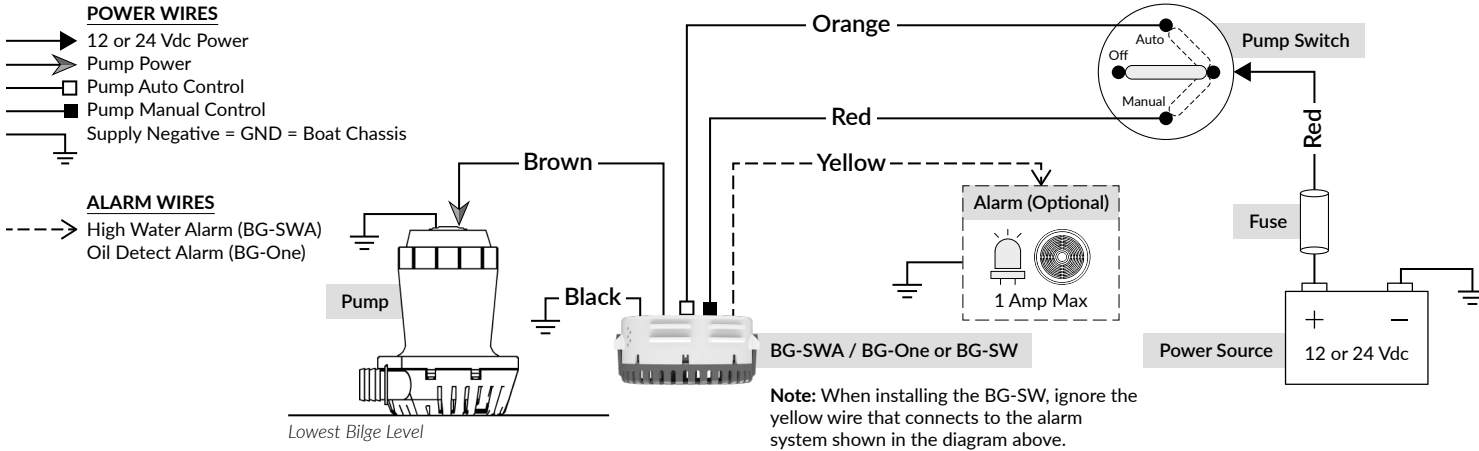


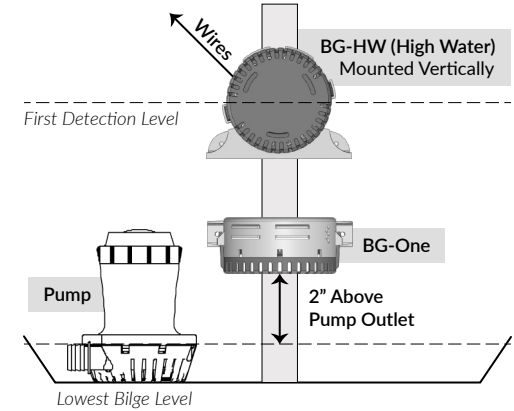
BLUE GUARD INSTALLATION GUIDE

Blue Guard systems are compatible with 12 or 24 Vdc power.

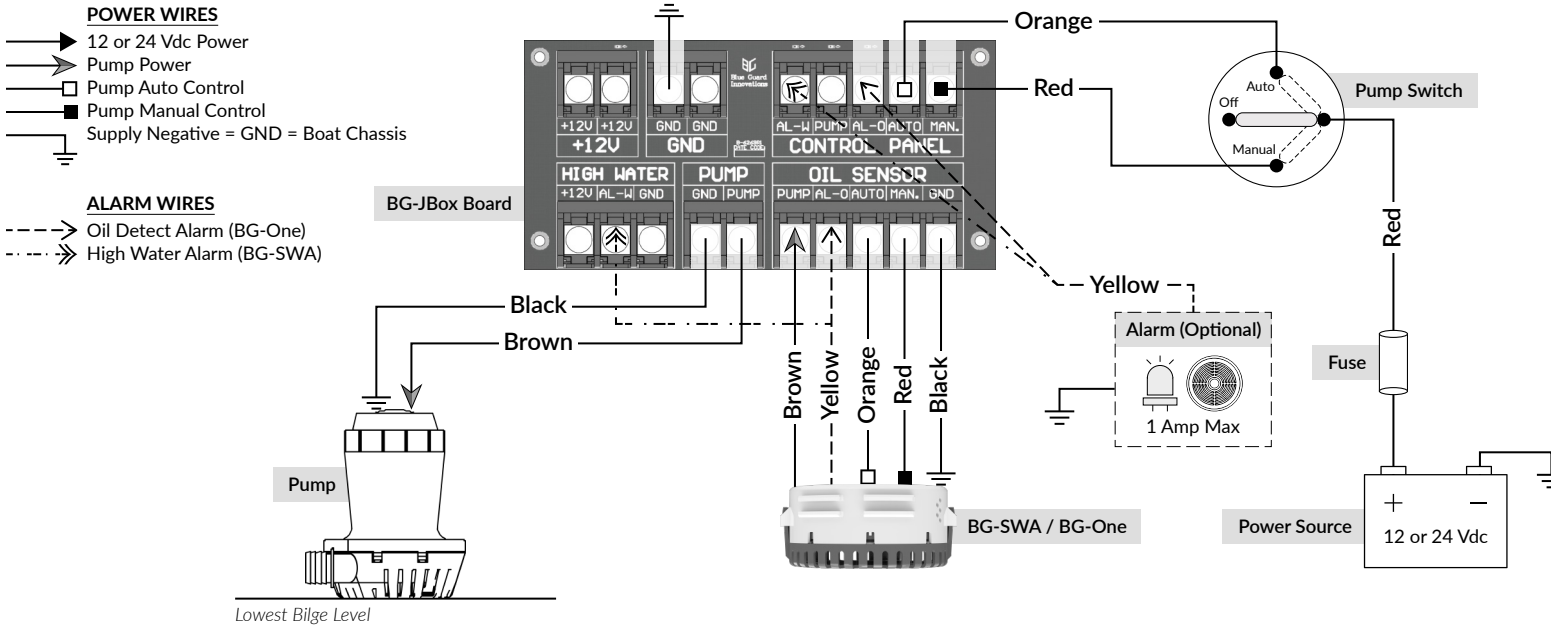
Electrical Installation I. BG-SWA / BG-One or BG-SW



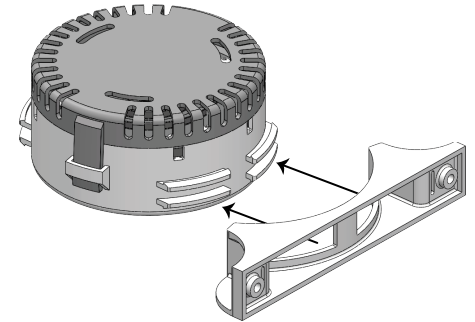
Mounting Recommendation



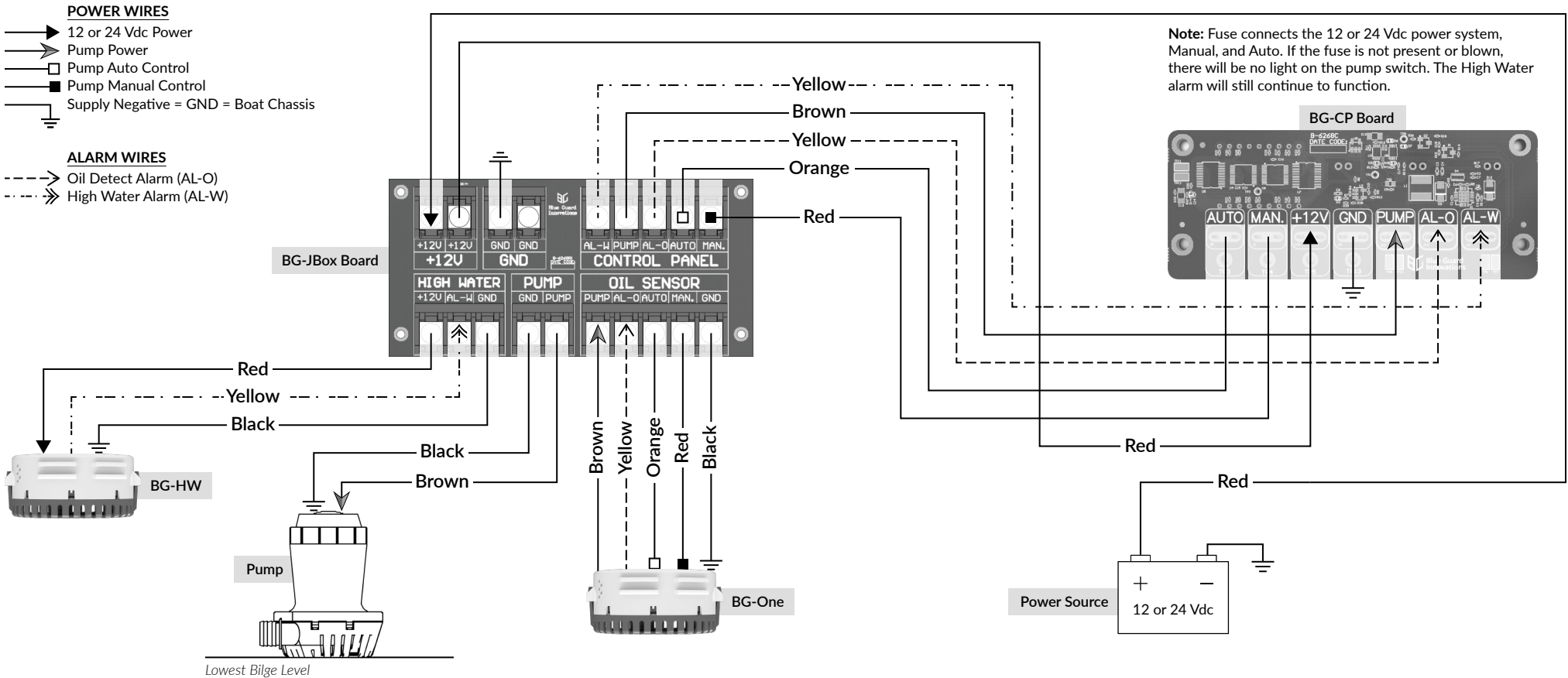
Electrical Installation II. BG-SWA / BG-One, BG-JBox



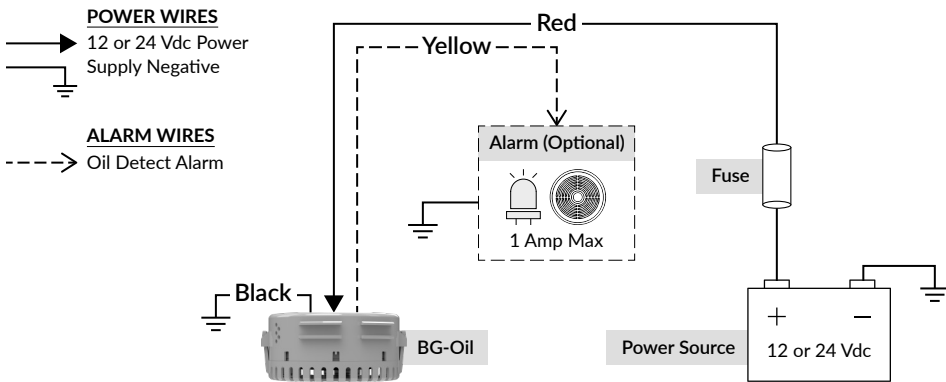
Device Mounting Bracket



Electrical Installation III. BG-One, BG-HW (High Water), BG-CP, BG-JBox



Electrical Installation IV. BG-Oil



Electrical Installation V. BG-HW (High Water)

