

## Specifications

### Placement

Passenger side on the floor using the seat leg bolts to anchor product. This base is not for use in GM vehicles with front seat leg hooks.

### Seat Configuration

Bucket/Bench

### Drilling Required

For many vehicles drilling is not required but for some applications, drilling may be necessary.

### Construction/Finish

Steel/Black powder coat

### Dimensions

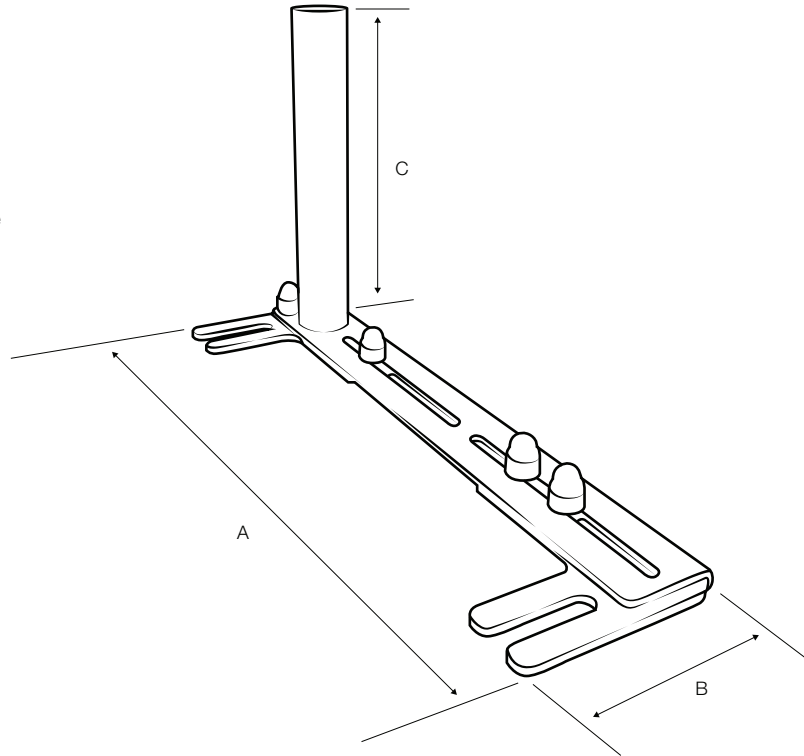
(A) 16.188" (B) 5.75" (C) 9.75"  
(Hole Center) 9" min to 8.875" max

### Pole or Pedestal

Lower tube is welded to base

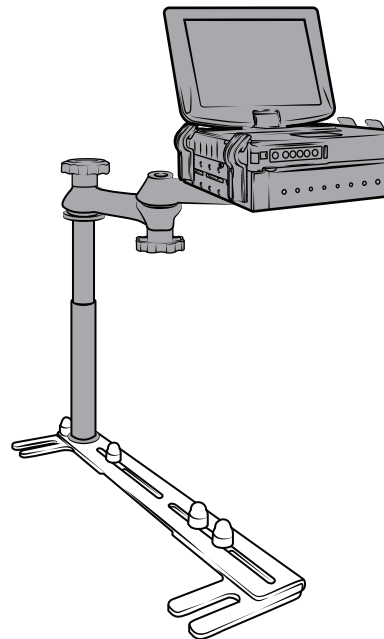
### Weight

5.6 lbs.



## Important Note

Slotted design allows this base to fit a wide variety of vehicles. This base will not interfere with factory installed console in most installations. Product has 16.188" min base width but accommodates as low as 9" hole center seat leg bolts.



RMR-INS-VB-196



### Safety Precaution

Do not install this product near or over an airbag deployment area or in a location that obstructs the driver's vision or interferes with vehicle operation. National Products, Inc does not assume responsibility or liability for any such personal injury, death or property damage.

## Installation Instructions

This product may be installed in several ways. It is up to the installer to determine the best location for the product.

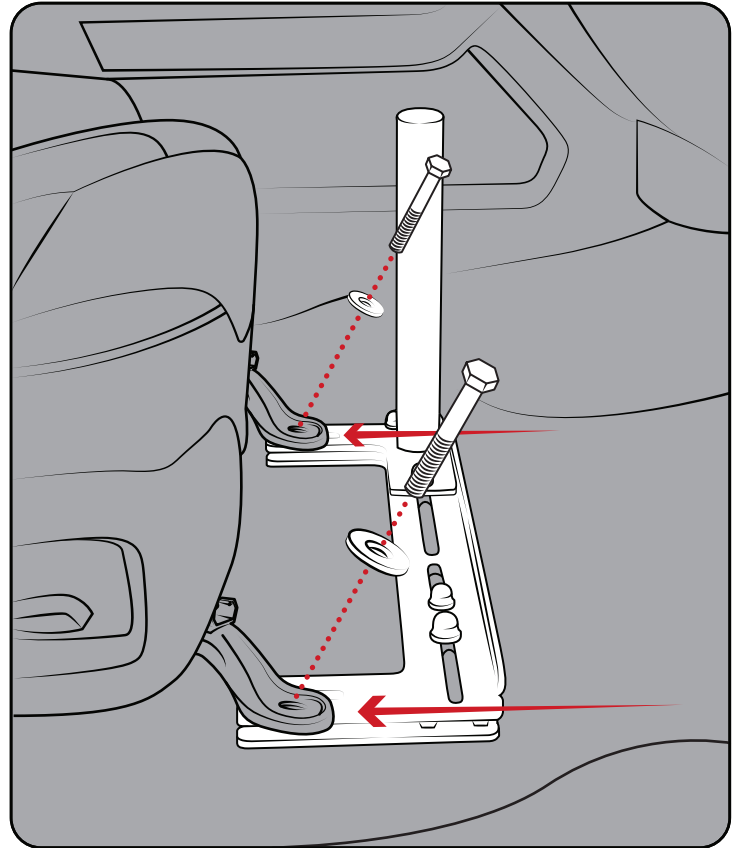
Typical locations are:

- Under seat frame legs.
- Over seat frame legs using supplied spacers and longer bolts.
- Between seat frame and seat tracks.

- 1 Move the passenger seat to the rear-most position.
- 2 Remove or loosen the front seat leg bolts that secure the passenger side seat legs to the floor pan.
- 3 If installing under the seat legs, gently lift the front of the seat and place the base under the front of the seat frame legs. Given the many applications for this product, what is stated here may not apply to your vehicle.
- 4 With the base positioned per your application, fully tighten mounting hardware to secure the seat legs and no drill base into the vehicle.

## Helpful Tips

If using the supplied stand off tubes, choose the set that will sit the most flat in the seat bolt pocket. Also, carefully match up the thread of the factory bolt to the thread of the supplied bolt to insure they are an exact match. If you cannot find a match, you will need to source the correct bolts.



RMR-INS-VB-196



### Safety Precaution

Do not install this product near or over an airbag deployment area or in a location that obstructs the driver's vision or interferes with vehicle operation. National Products, Inc does not assume responsibility or liability for any such personal injury, death or property damage.