

RIPTIDE TERROVA

BOW-MOUNT TROLLING MOTOR

Installation Instructions

INTRODUCTION

THANK YOU

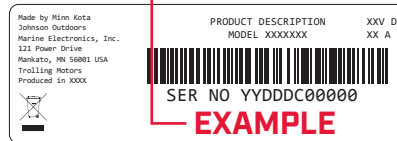
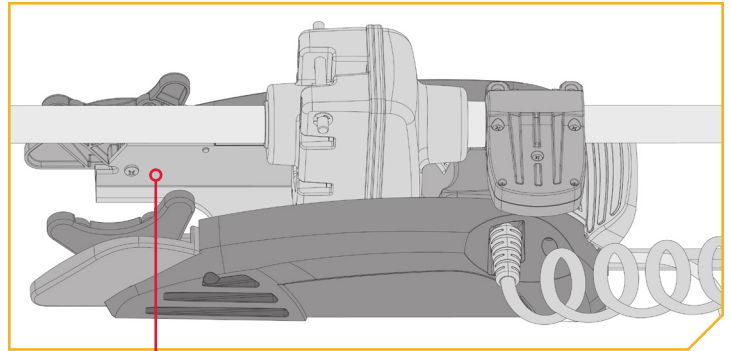
Thank you for choosing Minn Kota. We believe that you should spend more time fishing and less time positioning your boat. That's why we build the smartest, toughest, most intuitive trolling motors on the water. Every aspect of a Minn Kota trolling motor is thought out and rethought until it's good enough to bear our name. Countless hours of research and testing provide you the Minn Kota advantage that can truly take you "Anywhere. Anytime." We don't believe in shortcuts. We are Minn Kota. And we are never done helping you catch more fish.

REGISTRATION

Remember to keep your receipt and immediately register your trolling motor. A registration card is included with your motor or you can complete registration on our website at minnkotamotors.com/register.

SERIAL NUMBER

Your Minn Kota 11-character serial number is very important. It helps to determine the specific model and year of manufacture. When contacting Consumer Service or registering your product, you will need to know your product's serial number. We recommend that you write the serial number down so that you have it available for future reference.



NOTICE: The serial number on your Riptide Terrova is located inside the mount below the motor rests.

MOTOR INFORMATION (For Consumer Reference Only)

Model: _____

Serial Number: _____

Purchase Date: _____

Store Where Purchased: _____

NOTICE: Do not return your Minn Kota motor to your retailer. Your retailer is not authorized to repair or replace this unit. You may obtain service by: calling Minn Kota at (800) 227-6433; returning your motor to the Minn Kota Factory Service Center; sending or taking your motor to any Minn Kota authorized service center. A list of authorized service centers is available on our website, at minnkotamotors.com. Please include proof of purchase, serial number and purchase date for warranty service with any of the above options.

SAFETY CONSIDERATIONS

Please thoroughly read the user manual. Follow all instructions and heed all safety and cautionary notices. Use of this motor is only permitted for persons that have read and understood these user instructions. Minors may use this motor only under adult supervision.

WARNING

You are responsible for the safe and prudent operation of your vessel. We have designed your Minn Kota product to be an accurate and reliable tool that will enhance boat operation and improve your ability to catch fish. This product does not relieve you from the responsibility for safe operation of your boat. You must avoid hazards to navigation and always maintain a permanent watch so you can respond to situations as they develop. You must always be prepared to regain manual control of your boat. Learn to operate your Minn Kota product in an area free from hazards and obstacles.

WARNING

Never run the motor out of the water, as this may result in injuries from the rotating propeller. The motor should be disconnected from the power source when it is not in use or is off the water. When connecting the power-supply cables of the motor to the battery, ensure that they are not kinked or subject to chafe and route them in such a way that persons cannot trip over them. Before using the motor make sure that the insulation of the power cables is not damaged. Disregarding these safety precautions may result in electric shorts of battery(s) and/or motor. Always disconnect motor from battery(s) before cleaning or checking the propeller. Avoid submerging the complete motor as water may enter the lower unit through control head and shaft. If the motor is used while water is present in the lower unit considerable damage to the motor can occur. This damage will not be covered by warranty.

WARNING

Take care that neither you nor other persons approach the turning propeller too closely, neither with body parts nor with objects. The motor is powerful and may endanger or injure you or others. While the motor is running watch out for persons swimming and for floating objects. Persons who lack the ability to run the motor or whose reactions are impaired by alcohol, drugs, medication, or other substances are not permitted to use this motor. This motor is not suitable for use in strong currents. The constant noise pressure level of the motor during use is less than 70dB(A). The overall vibration level does not exceed 2,5 m/sec².

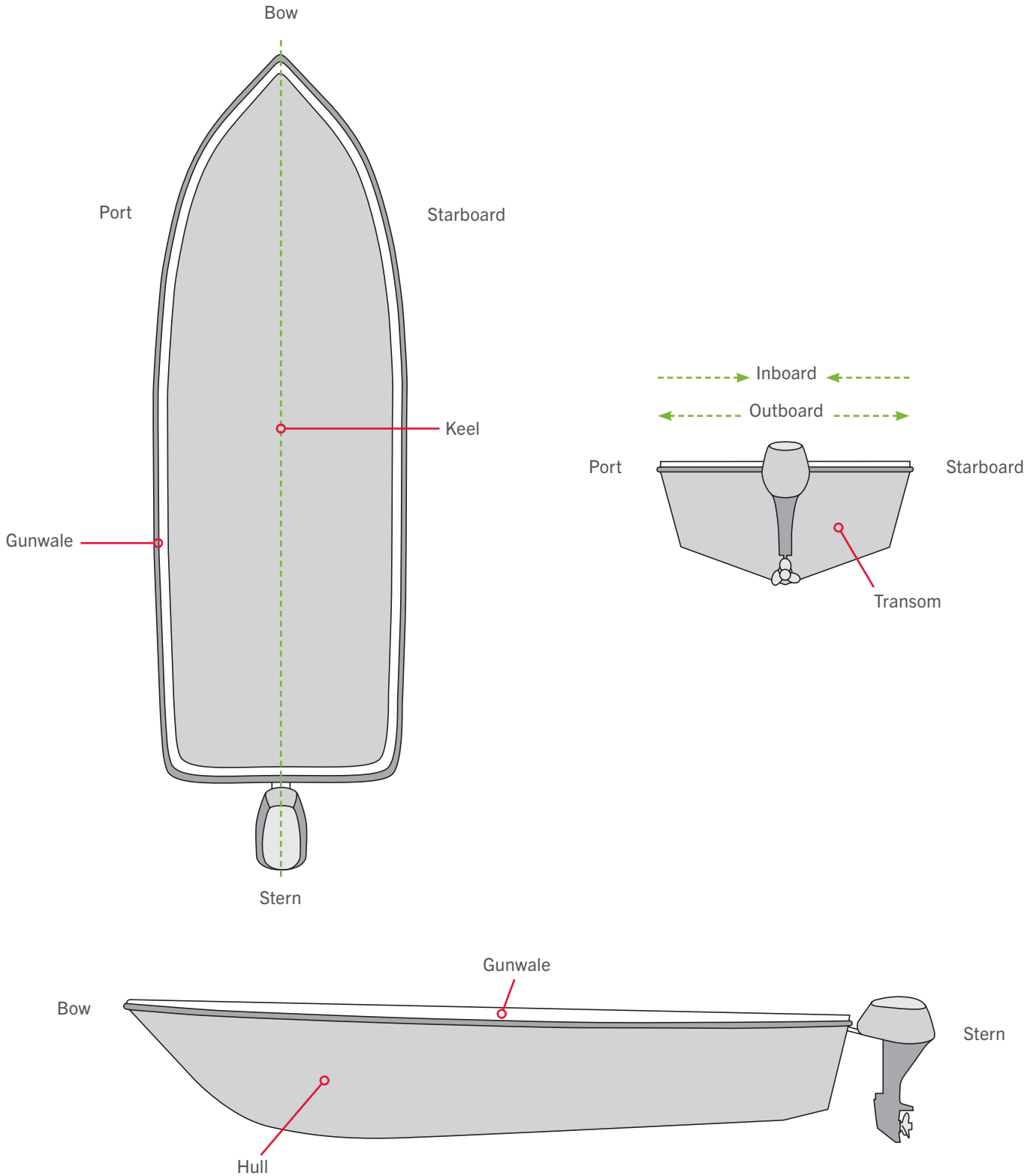
WARNING

When stowing or deploying the motor, keep fingers clear of all hinge and pivot points and all moving parts. In the event of unexpected operation, remove power leads from the battery.

WARNING

It is recommended to only use Johnson Outdoors approved accessories with your Minn Kota motor. Using non-approved accessories including to mount or control your motor may cause damage, unexpected motor operation and injury. Be sure to use the product and approved accessories, including remotes, safely and in the manner directed to avoid accidental or unexpected motor operation. Keep all factory installed parts in place including motor and accessory covers, enclosures and guards.

KNOW YOUR BOAT



INSTALLATION

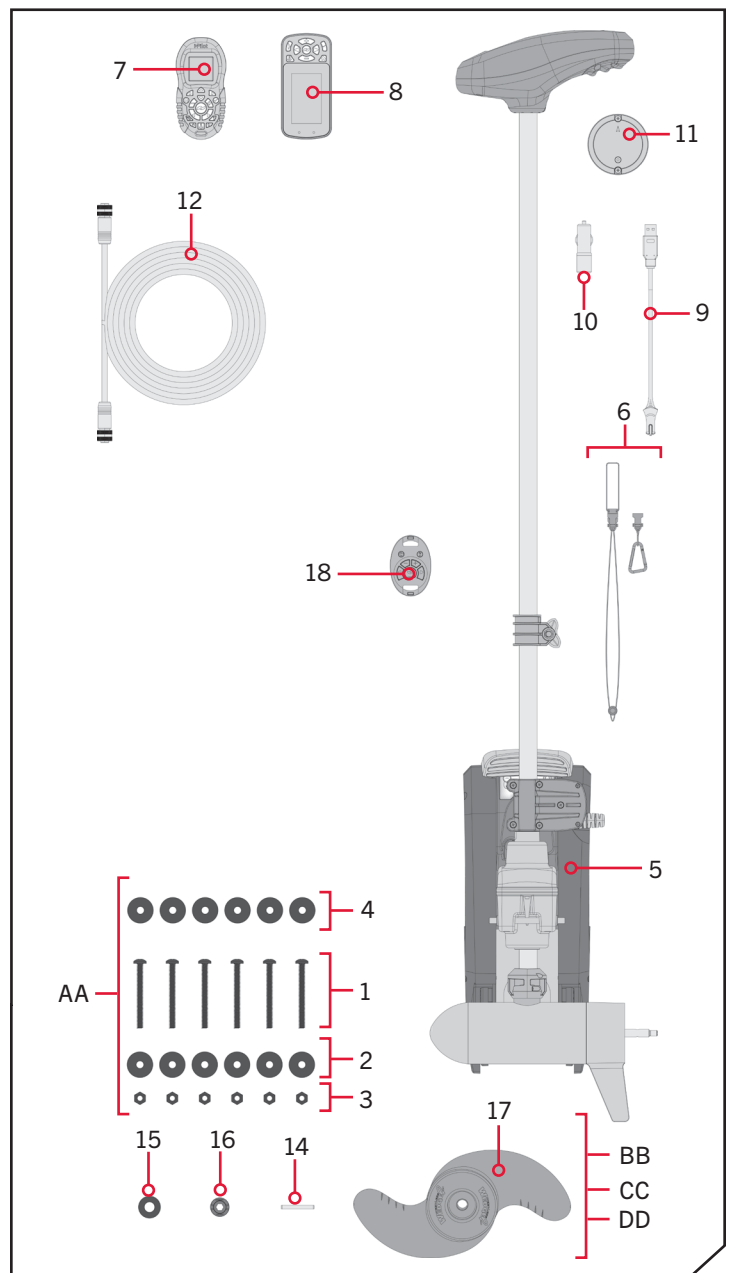
INSTALLING THE RIPTIDE TERROVA

Your new Riptide Terrova comes with everything you'll need to directly install it to the boat. This motor can be directly mounted to the boat or coupled with a Minn Kota quick release bracket for ease of mounting and removal. For installation with a quick release bracket, refer to the installation instructions provided with the bracket. For compatible quick release mounting brackets and to locate your nearest dealer, visit minnkotamotors.com. To install the motor directly to the boat, please follow the instructions provided in this manual. Please review the parts list, mounting considerations and tools needed for installation prior to getting started. For additional product support, please visit minnkotamotors.com.

INSTALLATION PARTS LIST

Item / Assembly	Part #	Description	Qty.
AA	2994864	BAG ASSEMBLY - (BOLT, NUT, WASHERS)	1
1	2263462	BOLT-MOUNTING-1/4X2 W/STG	6
2	2261713	WASHER-1/4	6
3	2263103	NUT NYLOK 1/4-20 MTG	6
4	2301720	WASHER-MOUNTING RUBBER	6
5	✘	MOTOR ASSEMBLY	1
6	2390800 ◆◆	LANYARD, REMOTE W/ CARABEENER	1
7	2994075 ◆	REMOTE ASY, IPILOT	1
▲	2397106 ◆	MANUAL, QUICK REF., IPILOT 1.6	1
8	2994076 ●	REMOTE ASSEMBLY LINK TOUCHSCREEN	1
9	2373241 ●	CABLE, USB REMOTE CHARGER LINK	1
10	2375901 ●	ADAPTER, USB DC POWER LINK	1
11	2996400 ◆◆	HEADING SENSOR ASSEMBLY *SELECT MODELS ONLY*	1
12	490389-1 ●	CABLE, ETH (M12-M-M12-F, 30')	1
14	2092600	PIN-DRIVE 1.06" LG (SS)	1
	2262658	PIN-DRIVE 1" X 3/16" S/S	1
15	2151726	WASHER-5/16 STD (S/S)	1
	2091701	WASHER-PROP (LARGE)	1
16	2053101	NUT PROP, NYLOCK (MED) 5/16-24 SS	1
	2093101	NUT-PROP, NYLOCK, LG MX101 318 SS	1
17	2091161	PROP-WW2 3 5/8" MACHINED	1
	2341161	PROP-WW2 4.5" WELDED	1
	2331161	PROP-WW2 4" WELDED	1
18	2994095 ●	TRANSMITTER ASY, TRRV CPLT	1
BB	1378131	PROP IND 2091160 WDLS WDG II	1
CC	1378160	PROP KIT 2341160 112# WW2	1
DD	1378132	PROP IND 2331160 WDLS WDG II	1
▲	2327132	INSTALLATION INSTRUCTIONS TERROVA	1
▲	2397107 ●	MANUAL, QUICK REF., IPILOT LINK 3.0	1

- Only available with models factory installed with CoPilot.
- ▲ Not shown on Parts Diagram.
- ✘ This part is included in an assembly and cannot be ordered individually.
- ◆ Only available with models factory installed with i-Pilot.
- Only available with models factory installed with i-Pilot Link.



INSTALLING THE RIPTIDE TERROVA

MOUNTING CONSIDERATIONS

It is recommended that the motor be mounted as close to the centerline of the boat as possible. Make sure the area under the mounting location is clear to drill holes and install nuts and washers. Make sure the motor rest is positioned far enough beyond the edge of the boat. The motor must not encounter any obstructions as it is lowered into the water or raised into the boat when stowed and deployed. Consider a quick release or adapter bracket with the installation of your motor. To view a list of accessories, please visit minnkotamotors.com.



View accessories available for your trolling motor at minnkotamotors.com.

TOOLS AND RESOURCES REQUIRED

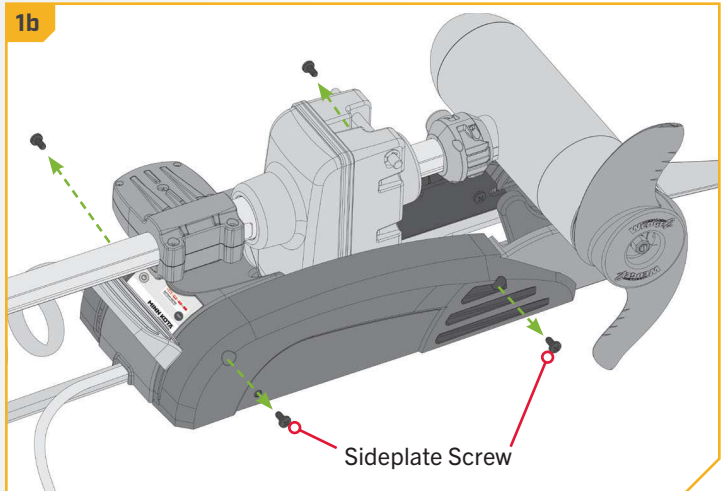
- #3 Phillips Screw Driver
- Drill
- 9/32" Drill Bit
- 7/16" Box End Wrench
- A second person to help with the installation

INSTALLATION

INSTALLING THE RIPTIDE TERROVA

- Place the mount on an elevated, level surface such as a workbench or the tailgate of a pickup. The motor, as removed from the box, should be in the stowed position.
 - Remove the four sideplate screws using a #3 Phillips screwdriver. Two of these screws will be located on each side of the mount.

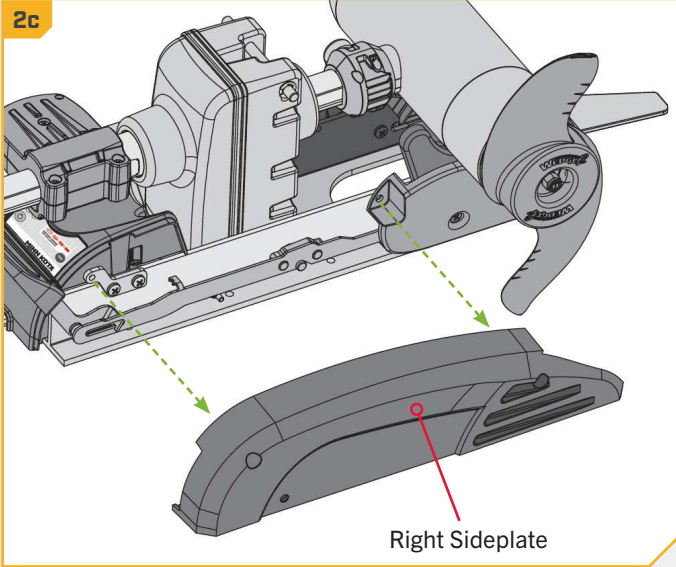
NOTICE: This motor weighs approximately 65lbs. Minn Kota recommends having a second person help with the installation.



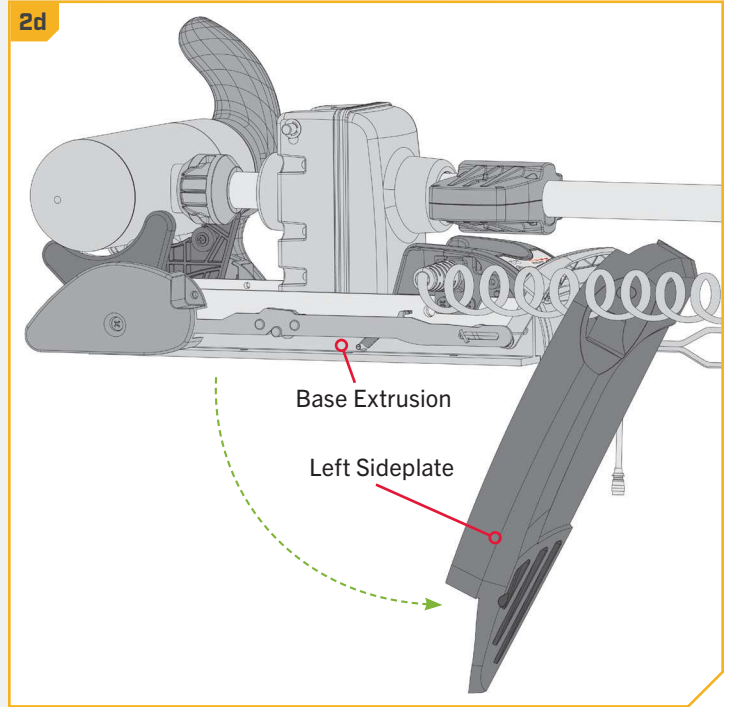
INSTALLING THE RIPTIDE TERROVA

2

- c. Remove the Right Sideplate.
- d. Swing the Left Sideplate out and away from the Base Extrusion.



2d

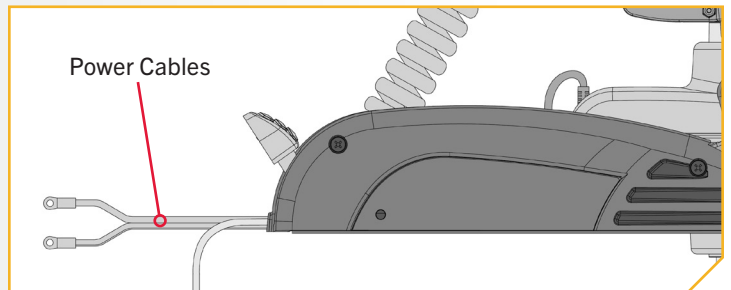


3

- e. Make sure that the Power Cables from the battery are disconnected, or that the breaker, if equipped, is "off."

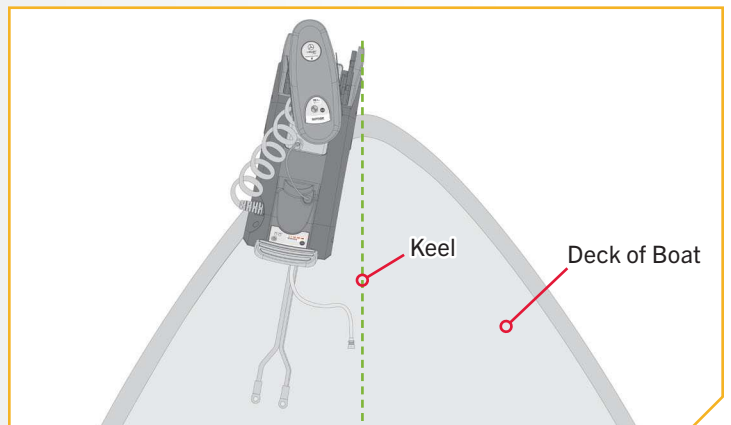
WARNING

Make sure the motor is mounted on a level surface and is not connected to a power source.



4

- f. Place the mount as close to the centerline or keel of the boat as possible. The motor can be installed on either the Port or Starboard side of the boat based on personal preference. Check placement with the motor in the stowed and deployed positions. Review the mounting considerations at the beginning of the installation.



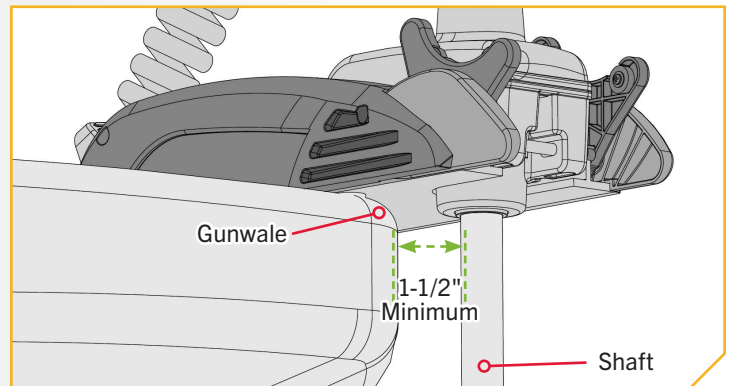
INSTALLING THE RIPTIDE TERROVA

5

ITEM(S) NEEDED

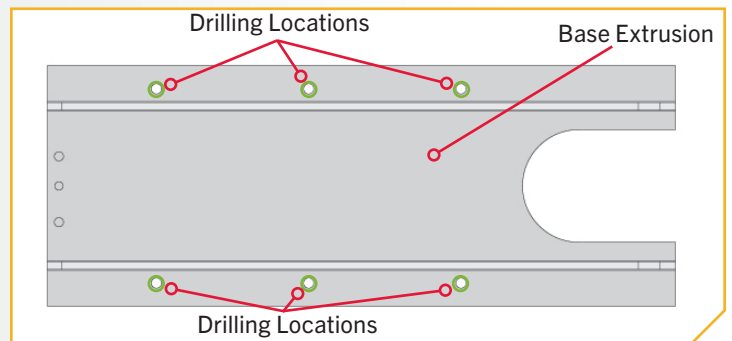
● #4 x 6

- g. When the motor is in the deployed position, make sure that the Shaft is 1-1/2" out past the Gunwale of the boat. The lower unit, when stowed and deployed must not encounter any obstructions.
- h. Check to be sure that the mount is level. Use the Rubber Washers (Item #4) provided to create a level surface if necessary.



6

- i. It is recommended to mark at least 4 of the 6 holes in the Base Extrusion and to have a minimum of two bolts on each side that are located the farthest apart. Ideal installation would allow for 6 bolts to be used, with a minimum of 4.
- j. Drill through the deck of the boat using a 9/32" Drill Bit on the marked locations.



INSTALLING THE RIPTIDE TERROVA

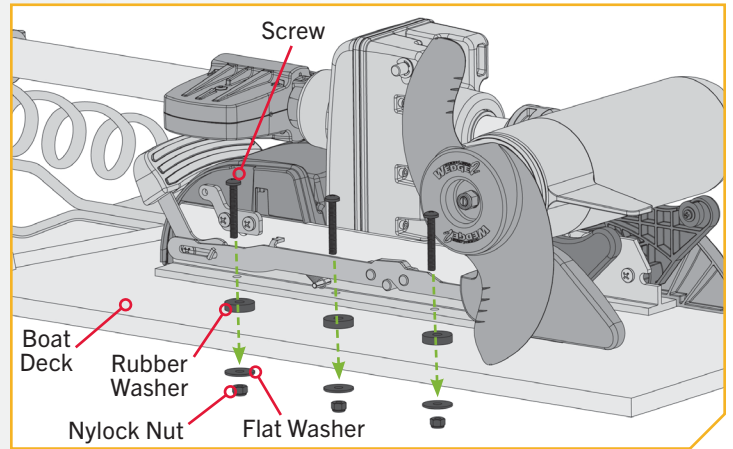
7

ITEM(S) NEEDED

#1 x 6 ● #2 x 6 ○ #3 x 6 ● #4 x 6

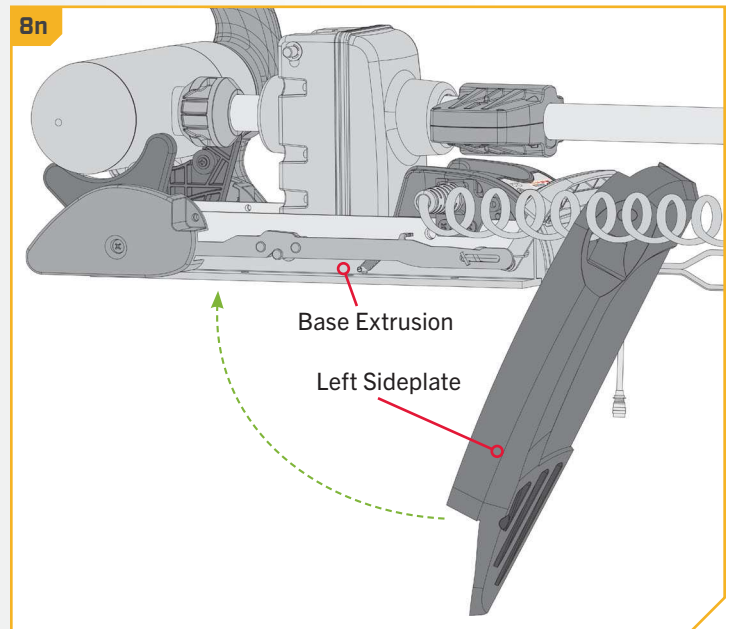
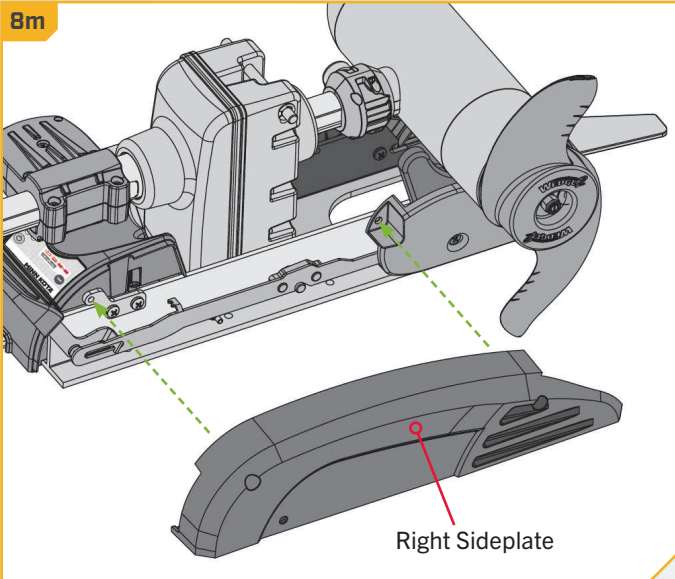
- k. Put a 1/4-20 x 3 1/2" (Item #1) screw in each of the drilled locations. The screw should pass through the Base Extrusion and the boat deck. If the rubber washers (Item #4) are used, they should sit between the Base Extrusion and boat deck. Make sure to secure the motor with screws on each side of the Base Extrusion.
- l. Place a Flat Washer (Item #2) and then a Nylock Nut (Item #3) at the end of each screw as shown and secure. Make sure all hardware is secure.

NOTICE: To prevent seizing of the stainless steel hardware, do not use high speed installation tools. Wetting the screws or applying an anti-seize may help prevent seizing.



8

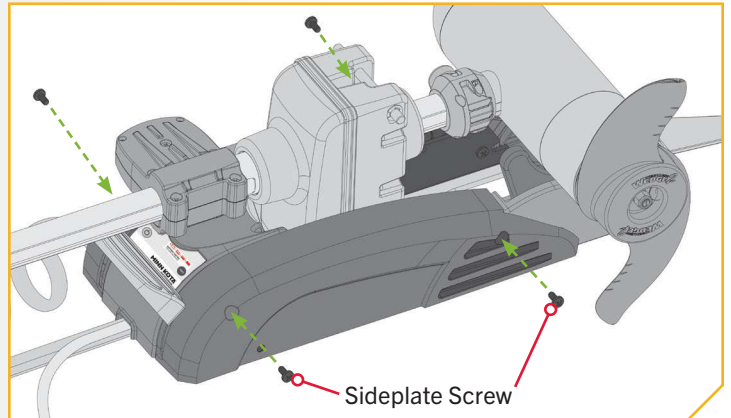
- m. Replace the Right Sideplate.
- n. Swing the Left Sideplate back into its correct position on the Base Extrusion.



ROUTING THE i-PILOT LINK CABLE

9

- o. Replace the four sideplate screws using a #3 or #2 Phillips screwdriver. Two of these screws will be located on each side of the mount.



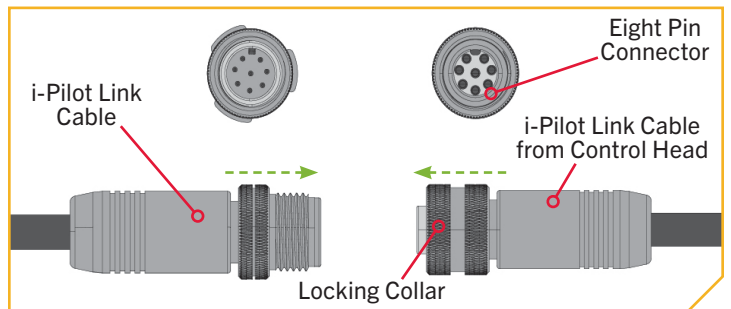
ROUTING THE i-PILOT LINK CABLE

Your trolling motor may be pre-installed with either i-Pilot or i-Pilot Link. To learn more about the GPS capabilities available with your i-Pilot or i-Pilot Link navigation system, please refer to the corresponding Owner's Manual by visiting minnkotamotors.com.

The i-Pilot Link features require a cable to be connected to an output device. This connection is present on the trolling motor below the Control Head, if installed. The i-Pilot system does not need an external wired connection. If only one connection is present, your motor is equipped with the i-Pilot Link system. If no connections are present, your motor may or may not be installed with i-Pilot. Please follow the Minn Kota recommendations on routing the cables to optimize mobility and maximize functionality. The routing will be the same regardless of the number of cables present. Use the following instructions to properly route cables.

Cables are shielded to minimize interference. To protect this shielding the cables should not be pulled tight against sharp angles or hard objects. If using cable ties, do not over-tighten. Any excess cable should be bundled in a loose loop of no less than 4" in diameter.

To minimize trolling motor interference, ensure that the fish finder and trolling motor are powered by separate batteries. Please refer to the Battery & Wiring Installation and Motor Wiring Diagram sections of this manual for correct rigging instructions.



ROUTING THE i-PILOT LINK CABLE

1

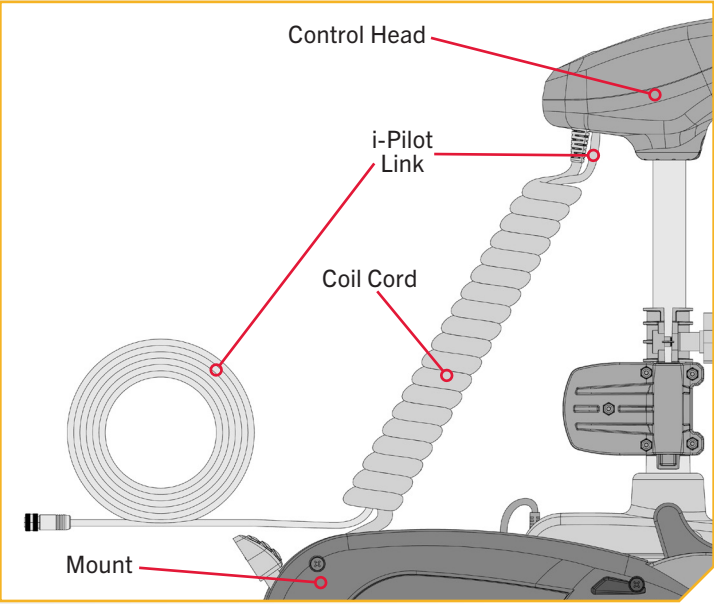
- a. Place the motor in the deployed position.
- b. Locate the i-Pilot Link cable, at the base of the Control Head.



CAUTION

Not following the recommended wire routing for the i-Pilot Link cable, if equipped, may cause damage to the product and void your product warranty. Route cables away from pinch points or other areas that may cause them to bend in sharp angles. Routing the cables in any way other than directed may cause damage to the cables by being pinched or severed.

- c. The i-Pilot Link cable should be fed all the way through the Coil Cord. It should exit the Coil Cord at the bottom of the Coil Cord, where it connects to the Mount.



NOTICE: After the i-Pilot Link Cable exits the Coil Cord, it should be routed through an established routing system on the boat, in an area with minimal interference. Inspect the selected route carefully to ensure that there are no sharp edges, obstacles, or obstructions that may damage the cables.

INSTALLING THE PROP

INSTALLING THE PROP

1

ITEM(S) NEEDED

 #17 x 1  #15 x 1  #16 x 1 | #14 x 1

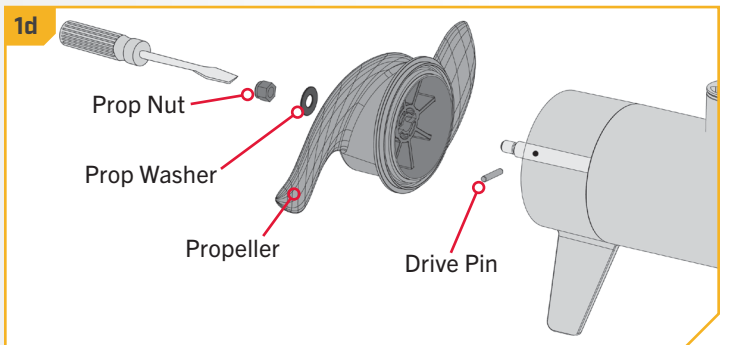
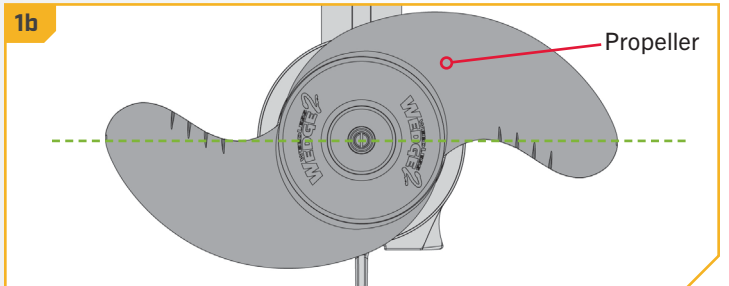
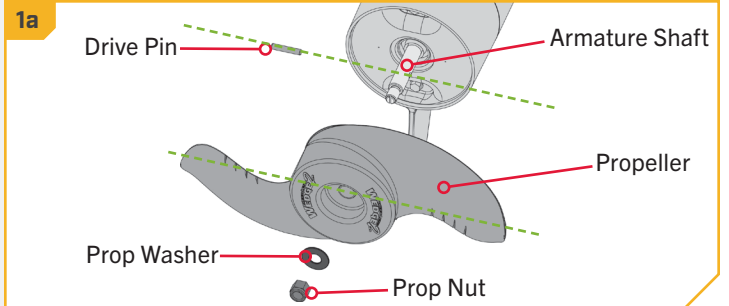
CAUTION

Disconnect the motor from the battery before beginning any prop work.

- Take the Drive Pin (Item #14) and slide it through the Hole in the Armature Shaft. Position the Drive Pin horizontal by grasping the Armature Shaft and rotating it with the Drive Pin in place.
- Align the Propeller (Item #17) so it is also horizontal and parallel with the Drive Pin. Slide the Propeller onto the Armature Shaft and Drive Pin until it is seated against the lower unit.
- Install the Prop Washer (Item #15) and the Prop Nut (Item #16) onto the end of the Armature Shaft.
- Holding the end of the Armature Shaft with a Flat Blade Screwdriver, tighten the Prop Nut with a 9/16" Open End Wrench.
- Tighten the Prop Nut 1/4 turn past snug to 25-35 in-lbs.

CAUTION

Do not over tighten as this can damage the prop.



BATTERY & WIRING INSTALLATION

BOAT RIGGING & PRODUCT INSTALLATION

For safety and compliance reasons, we recommend that you follow American Boat and Yacht Council (ABYC) standards when rigging your boat. Altering boat wiring should be completed by a qualified marine technician. The following specifications are for general guidelines only:

CAUTION

These guidelines apply to general rigging to support your Minn Kota motor. Powering multiple motors or additional electrical devices from the same power circuit may impact the recommended conductor gauge and circuit breaker size. If you are using wire longer than that provided with your unit, follow the conductor gauge and circuit breaker sizing table below. If your wire extension length is more than 25 feet, we recommend that you contact a qualified marine technician.

CAUTION

An over-current protection device (circuit breaker or fuse) must be used. Coast Guard requirements dictate that each ungrounded current-carrying conductor must be protected by a manually reset, trip-free circuit breaker or fuse. The type (voltage and current rating) of the fuse or circuit breaker must be sized accordingly to the trolling motor used. The table below gives recommended guidelines for circuit breaker sizing.

CONDUCTOR GAUGE AND CIRCUIT BREAKER SIZING TABLE

This conductor and circuit breaker sizing table is only valid for the following assumptions:

1. No more than 2 conductors are bundled together inside of a sheath or conduit outside of engine spaces.
2. Each conductor has 105° C temp rated insulation.
3. No more than 5% voltage drop allowed at full motor power based on published product power requirements.

Motor Thrust / Model	Max Amp Draw	Circuit Breaker	Wire Extension Length				
			5 feet	10 feet	15 feet	20 feet	25 feet
30 lb.	30	50 Amp @ 12 VDC	10 AWG	10 AWG	8 AWG	6 AWG	4 AWG
40 lb., 45 lb.	42		10 AWG	8 AWG	6 AWG	4 AWG	4 AWG
50 lb., 55 lb.	50	60 Amp @ 12 VDC	8 AWG	6 AWG	4 AWG	4 AWG	2 AWG
70 lb.	42	50 Amp @ 24 VDC	10 AWG	10 AWG	8 AWG	8 AWG	6 AWG
80 lb.	56	60 Amp @ 24 VDC	8 AWG	8 AWG	8 AWG	6 AWG	6 AWG
101 lb.	46	50 Amp @ 36 VDC	8 AWG	8 AWG	8 AWG	8 AWG	8 AWG
Engine Mount 101	50	60 Amp @ 36 VDC	8 AWG	8 AWG	8 AWG	8 AWG	8 AWG
112 lb.	52	60 Amp @ 36 VDC	8 AWG	8 AWG	8 AWG	8 AWG	8 AWG
Engine Mount 160	116	(2) x 60 Amp @ 24 VDC	6 AWG	6 AWG	4 AWG	2 AWG	2 AWG
E-Drive	40	50 Amp @ 48 VDC	10 AWG	10 AWG	10 AWG	10 AWG	10 AWG

NOTICE: Wire Extension Length refers to the distance from the batteries to the trolling motor leads. Consult website for available thrust options. Maximum Amp Draw values only occur intermittently during select conditions and should not be used as continuous amp load ratings.

Reference

United States Code of Federal Regulations: 33 CFR 183 – Boats and Associated Equipment ABYC E-11: AC and DC Electrical Systems on Boats

SELECTING THE CORRECT BATTERIES



SELECTING THE CORRECT BATTERIES

The motor will operate with any lead acid, deep cycle marine 12 volt battery/batteries. For best results, use a deep cycle, marine battery with at least a 105 amp-hour rating. Maintain battery at full charge. Proper care will ensure having battery power when you need it, and will significantly improve the battery life. Failure to recharge lead-acid batteries (within 12-24 hours) is the leading cause of premature battery failure. Use a multi-stage charger to avoid overcharging. We offer a wide selection of chargers to fit your charging needs. If you are using a crank battery to start a gasoline outboard, we recommend that you use a separate deep cycle marine battery/batteries for your Minn Kota trolling motor. For more information on battery selection and rigging, please visit minnkotamotors.com. Minn Kota trolling motors can run on Lithium-Ion batteries. However, they are specifically designed to run on traditional lead-acid batteries (flooded, AGM or GEL). Lithium-Ion batteries maintain higher voltages for longer periods of time than lead acid. Therefore, running a Minn Kota trolling motor at speeds higher than 85% for a prolonged period could cause permanent damage to the motor.

WARNING

Never connect the (+) and the (-) terminals of the same battery together. Take care that no metal object can fall onto the battery and short the terminals. This would immediately lead to a short and extreme fire danger.

CAUTION

Refer to “Conductor Gauge and Circuit Breaker Sizing Table” in the previous section to find the appropriate circuit breaker or fuse for your motor. For motors requiring a 60-amp breaker, the Minn Kota MKR-19 60-amp circuit breaker is recommended.

CAUTION

Please read the following information before connecting your motor to your batteries in order to avoid damaging your motor and/or voiding your warranty.

ADDITIONAL CONSIDERATIONS

› Using DC or Alternator Chargers

Your Minn Kota trolling motor may be designed with an internal bonding wire to reduce sonar interference. Most alternator charging systems do not account for this bonding wire, and connect the negative posts of the trolling motor batteries to the negative posts of the crank/starting battery. These external connections can damage connected electronics and the electrical system of your trolling motor, voiding your warranty. Review your charger’s manual carefully or consult the manufacturer prior to use to ensure your charger is compatible.

Minn Kota recommends using Minn Kota brand chargers to recharge the batteries connected to your Minn Kota trolling motor, as they have been engineered to work with motors that include a bonding wire.



› Additional Accessories Connected to Trolling Motor Batteries

Significant damage to your Minn Kota motor, your boat electronics, and your boat can occur if incorrect connections are made between your trolling motor batteries and other battery systems. Minn Kota recommends using an exclusive battery system for your trolling motor. Where possible, accessories should be connected to a separate battery system. Radios and sonar units should not be connected to any trolling motor battery systems as interference from the trolling motor is unavoidable. If connecting any additional accessories to any trolling motor battery system, or making connections between the trolling motor batteries and other battery systems on the boat, be sure to carefully observe the information below.

The negative (-) connection must be connected to the negative terminal of the same battery that the trolling motor negative lead connects to. In the diagrams below this battery is labeled “Low Side” Battery. Connecting to any other trolling motor battery will input positive voltage into the “ground” of that accessory, which can cause excess corrosion. Any damage caused by incorrect connections between battery systems will not be covered under warranty.

› Automatic Jump Start Systems and Selector Switches

Automatic jump start systems and selector switches tie the negatives of the connected batteries together. Connecting these systems to the “High Side” Battery or “Middle” Battery in the diagrams below and will cause significant damage to your trolling motor and electronics. The only trolling motor battery that is safe to connect to one of these systems is the “Low Side” Battery.

CONNECTING THE BATTERIES

› 12-Volt Systems

1. Make sure that the motor is switched off (speed selector on “OFF” or “0”).
2. Connect positive (+) red lead to positive (+) battery terminal.
3. Connect negative (–) black lead to negative (–) battery terminal.

WARNING

For safety reasons do not switch the motor on until the propeller is in the water. If installing a leadwire plug, observe proper polarity and follow instructions in your boat owner’s manual.



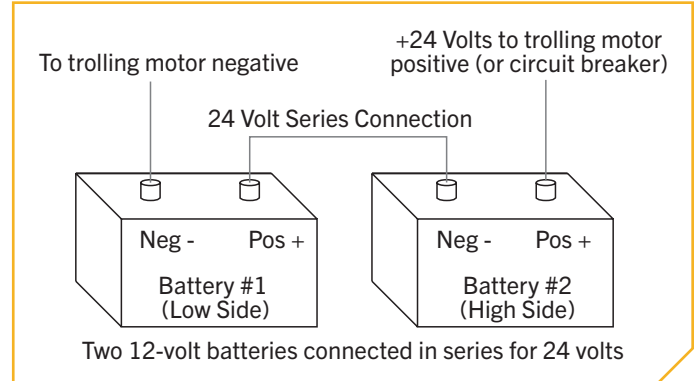
CONNECTING THE BATTERIES IN SERIES

CONNECTING THE BATTERIES IN SERIES (IF REQUIRED FOR YOUR MOTOR)

24-Volt Systems

Two 12-volt batteries are required. The batteries must be wired in series, only as directed in the wiring diagram, to provide 24 volts.

1. Make sure that the motor is switched off (speed selector on “0”).
2. Connect a connector cable to the positive (+) terminal of battery 1 and to the negative (-) terminal of battery 2.
3. Connect positive (+) red motor lead to positive (+) terminal on battery 2.
4. Connect negative (-) black motor lead to negative (-) terminal of battery 1.



WARNING

For safety reasons do not switch the motor on until the propeller is in the water. If installing a leadwire plug, observe proper polarity and follow instructions in your boat owner’s manual.

WARNING

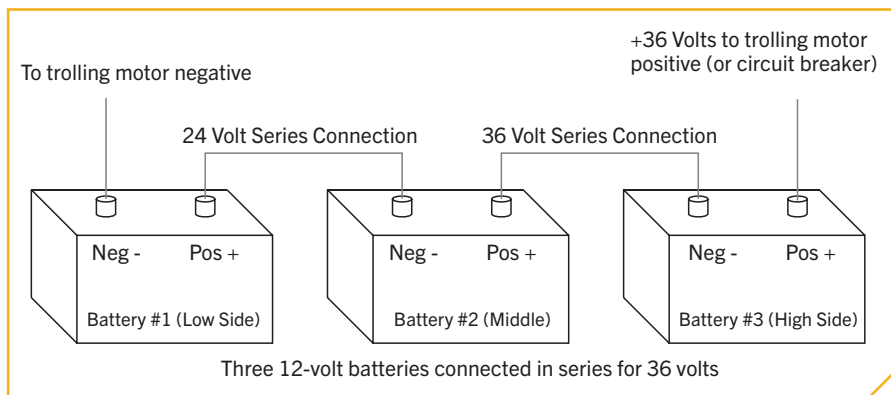
- For safety reasons, disconnect the motor from the battery or batteries when the motor is not in use or while the battery/batteries are being charged.
- Improper wiring of 24/36 volt systems could cause battery explosion.
- Keep leadwire wing nut connections tight and solid to battery terminals.
- Locate battery in a ventilated compartment.

CONNECTING THE BATTERIES IN SERIES

36-Volt Systems

Three 12-volt batteries are required. The batteries must be wired in series, only as directed in the wiring diagram, to provide 36 volts.

1. Make sure that the motor is switched off (speed selector on "0").
2. Connect a connector cable to the positive (+) terminal of battery 1 and to the negative (-) terminal of battery 2 and another connector cable from the positive (+) terminal of battery 2 to the negative (-) terminal of battery 3.
3. Connect positive (+) red motor lead to positive (+) terminal on battery 3.
4. Connect negative (-) black motor lead to negative (-) terminal of battery 1.



WARNING

For safety reasons, do not switch the motor on until the propeller is in the water. If installing a leadwire plug, observe proper polarity and follow instructions in your boat owner's manual.

WARNING

- For safety reasons, disconnect the motor from the battery or batteries when the motor is not in use or while the battery/batteries are being charged.
- Improper wiring of 24/36 volt systems could cause battery explosion.
- Keep leadwire wing nut connections tight and solid to battery terminals.
- Locate battery in a ventilated compartment.

This completes the installation of your Terrova. A complete Owner's Manual can be downloaded at minnkotamotors.com.

RECOMMENDED ACCESSORIES

ON-BOARD & PORTABLE BATTERY CHARGERS

Stop buying new batteries and start taking care of the ones you've got. Many chargers can actually damage your battery over time – creating shorter run times and shorter overall life. Digitally controlled Minn Kota chargers are designed to provide the fastest charge that protect and extend battery life.



MK212PC



MK210D



MK110PD

TALON SHALLOW WATER ANCHOR

Introducing the all-new, sleek redesigned Talon. Talon is the only shallow water anchor with up to 15' of anchoring depth, multiple anchoring modes, and control from the bow, transom, console, remote or mobile device.



BUILT-IN WORK LIGHT

Lets you tie lines and work from the transom any time of day — or night. Includes both white and blue LED lights with three brightness settings.



BLUETOOTH® CONNECTIVITY

Lets you control Talon from your mobile device and easily update it. Also opens up communication to other control options.



UP TO 15' DEEP

Control more water and catch more fish with the first 15' shallow water anchor.



MORE CONTROL OPTIONS

- Control Panel
- Wireless Remote
- Mobile App
- Wireless Foot Switch
- Humminbird® Connectivity
- i-Pilot® & i-Pilot Link™ Remote

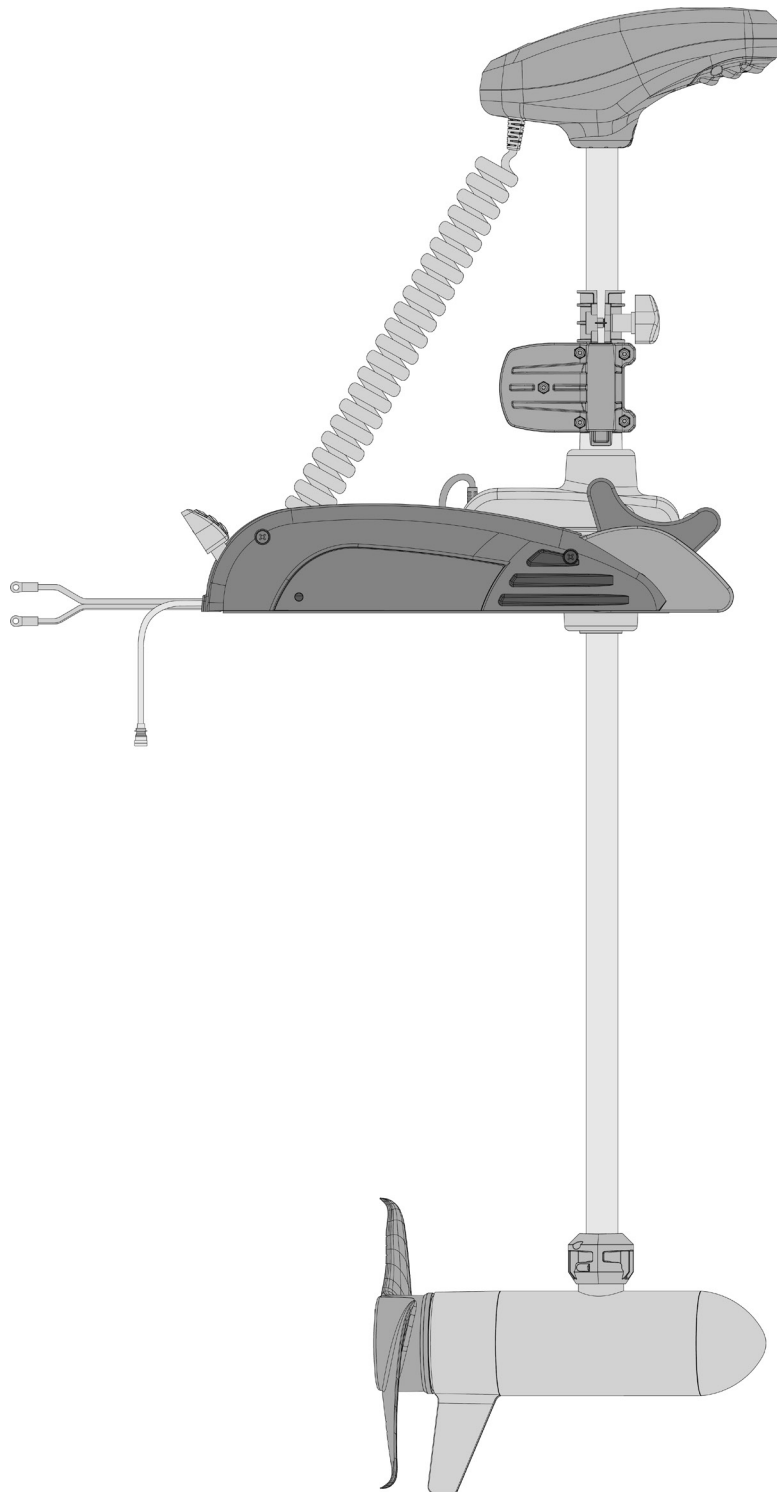


MINN KOTA ACCESSORIES

We offer a wide variety of trolling motor accessories, including:

- 60-Amp Circuit Breaker
- Mounting Brackets
- Stabilizer Kits
- Extension Handles
- Battery Connectors
- Battery Boxes
- Quick Connect Plugs





RIPTIDE TERROVA

MOTEUR DE PÊCHE À LA TRAÎNE MONTÉ SUR L'ÉTRAVE

Manuel du Propriétaire

PRÉSENTATION

MERCI

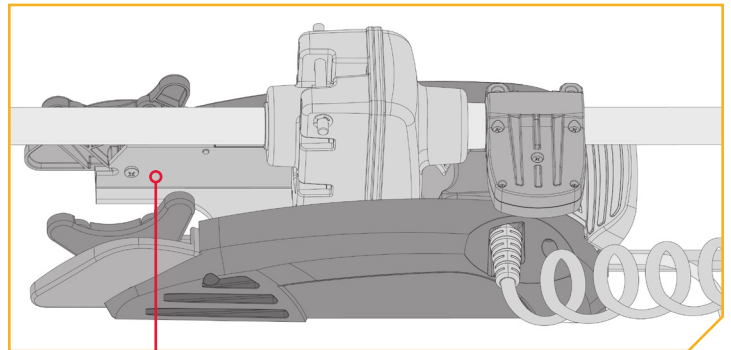
Nous vous remercions d'avoir choisi Minn Kota. Nous sommes persuadés que vous devriez consacrer plus de temps à pêcher et moins de temps à amarrer votre embarcation. C'est pourquoi nous construisons les propulseurs électriques les plus intelligents, les plus solides et les plus faciles à utiliser. Chaque aspect d'un propulseur électrique Minn Kota est réfléchi et étudié jusqu'à ce qu'il soit digne de porter notre nom. Nous avons investi des heures incalculables de recherche et d'essais pour vous offrir les avantages caractéristiques de Minn Kota, qui vous mène vraiment n'importe où, et n'importe quand. Notre principe est simple, nous faisons les choses selon les règles. Nous sommes Minn Kota. Et nous ne cesserons jamais de vous aider à pêcher plus de poissons.

ENREGISTREMENT

N'oubliez pas de conserver votre reçu et d'enregistrer immédiatement votre propulseur électrique. Une fiche d'enregistrement est fournie avec votre moteur; vous pouvez également effectuer l'enregistrement sur notre site Web à minnkotamotors.com/register.

NUMÉRO DE SÉRIE

Le numéro de série à 11 caractères Minn Kota est très important. Cela permet de déterminer le modèle spécifique et l'année de fabrication. Lorsque vous contactez le Service à la clientèle ou que vous enregistrez votre article, vous aurez besoin du numéro de série de votre article. Nous vous suggérons de noter le numéro de série afin qu'il soit disponible à des fins de référence future.



AVIS : Le numéro de série de votre Riptide Terrova se trouve à l'intérieur du support de montage, sous le point d'appui du moteur.

INFORMATION SUR LE MOTEUR (à des fins de référence par le client seulement)

Modèle: _____

Numéro de Série: _____

Date de l'achat: _____

Magasin où l'achat a été effectué: _____

AVIS : Ne retournez pas votre moteur Minn Kota au détaillant. Le détaillant n'est pas autorisé à réparer ou à remplacer cet appareil. Pour le service : communiquer avec Minn Kota au (800) 227-6433; retourner le moteur au Centre de service de l'usine de Minn Kota; envoyer ou apporter le moteur à un centre de service agréé de Minn Kota. Une liste de centres de service agréés est disponible sur notre site Web, à minnkotamotors.com. Pour obtenir un service au titre de la garantie, y compris toutes les options susmentionnées, veuillez inclure la preuve d'achat, le numéro de série et la date de l'achat.

CONSIGNES DE SÉCURITÉ

Veillez lire attentivement le manuel de l'utilisateur. Suivez toutes les instructions, et respectez toutes les consignes de sécurité et mises en garde. L'utilisation de ce moteur n'est autorisée que pour les personnes qui ont lu et compris ces consignes pour l'utilisateur. Les personnes mineures peuvent utiliser ce moteur uniquement sous la supervision d'un adulte.

AVERTISSEMENT

Vous seul êtes responsable de la navigation sécuritaire et prudente sur votre bateau. Nous avons conçu votre Minn Kota pour qu'il soit un outil précis et fiable qui vous permettra d'améliorer l'utilisation de votre bateau et d'accroître votre capacité de pêcher des poissons. Ce produit ne vous exonère pas de la responsabilité de naviguer en toute sécurité avec votre bateau. Vous devez éviter les dangers liés à la navigation et toujours exercer une veille permanente afin de pouvoir réagir au fur et à mesure que les situations se présentent. Vous devez toujours être prêt à reprendre le contrôle manuel de votre bateau. Apprenez à utiliser votre Minn Kota dans une zone exempte de dangers et d'obstacles.

AVERTISSEMENT

Ne faites jamais fonctionner le moteur hors de l'eau, puisque cela entraînerait des blessures causées par l'hélice en rotation. Le moteur doit être débranché de la source d'alimentation lorsqu'il n'est pas utilisé ou lorsqu'il est hors de l'eau. Au moment de brancher les câbles d'alimentation du moteur à la batterie, veiller à ce qu'ils ne soient pas entortillés ou exposés au frottement, puis les placer de telle manière que personne ne risque de trébucher. Avant d'utiliser le moteur, s'assurer que l'isolant des câbles d'alimentation n'est pas endommagé. Ne pas tenir compte de ces mesures de sécurité peut entraîner des courts-circuits avec les batteries et/ou le moteur. Toujours débrancher le moteur des batteries avant le nettoyage ou la vérification de l'hélice. Éviter de submerger complètement le moteur, car l'eau pourrait pénétrer dans l'appareil inférieur par la tête de contrôle et l'arbre. Si le moteur est utilisé alors que de l'eau est présente dans l'appareil inférieur, ce dernier pourrait subir des dommages considérables. Ces dommages ne seront pas couverts par la garantie.

AVERTISSEMENT

Veillez à ce que ni vous, ni les autres personnes ne s'approchent trop près de l'hélice en rotation, que ce soit seulement avec une partie du corps ou des objets. Le moteur est puissant et pourrait provoquer des situations périlleuses ou des blessures, pour vous ou les autres. Lorsque le moteur est en marche, se méfier des objets flottants ou des personnes qui pourraient être en train de nager. Les personnes, dont les réactions ou la capacité à faire fonctionner le moteur est/sont affaiblie (s) par l'alcool, la drogue, les médicaments ou d'autres substances, ne sont pas autorisées à utiliser ce moteur. Ce moteur n'est pas adapté à l'utilisation dans de forts courants. Le niveau de pression sonore constant du moteur au moment de l'utilisation est inférieur à 70 dB (A). Le niveau de vibration général ne dépasse pas 2,5 m/s².

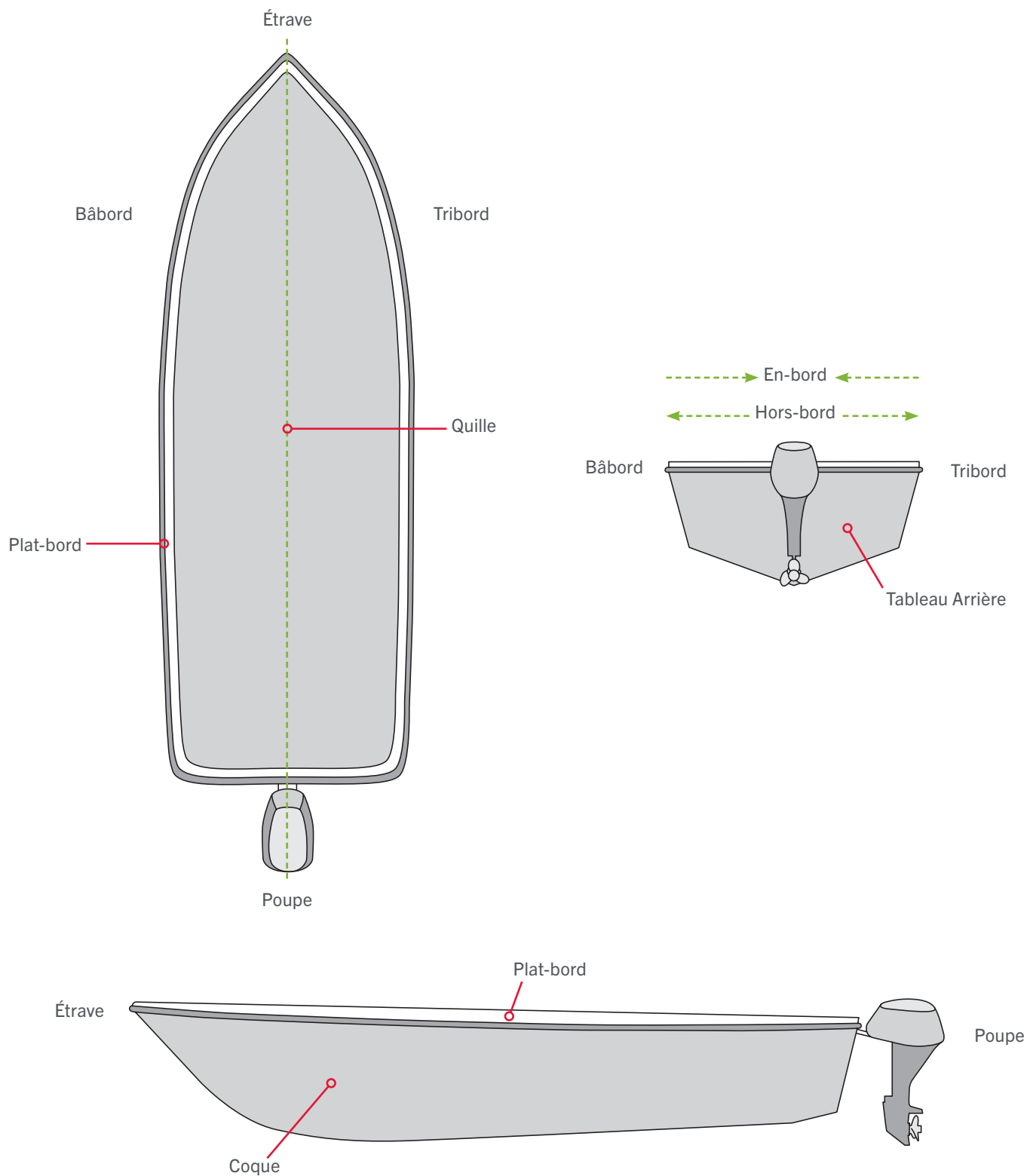
AVERTISSEMENT

Lorsque vous remontez ou abaissez le moteur, gardez vos doigts loin de toutes charnières et tous points de pivot ainsi que de toutes pièces mobiles. En cas d'opération imprévue, retirez les câbles d'alimentation à la batterie.

AVERTISSEMENT

Il est recommandé d'utiliser exclusivement les accessoires approuvés par Johnson Outdoors avec votre moteur Minn Kota. L'utilisation d'accessoires non approuvés, y compris pour monter ou contrôler votre moteur, pourrait causer des dommages, un fonctionnement inattendu du moteur et des blessures. Veillez à utiliser le produit ainsi que les accessoires approuvés, y compris les télécommandes, en toute sécurité et de la manière indiquée pour éviter les accidents ou un fonctionnement inattendu du moteur. Ne retirez pas les pièces installées en usine, y compris les couvercles, boîtiers et protections du moteur et des accessoires.

CONNAISSEZ VOTRE BATEAU



INSTALLATION

INSTALLATION DU RIPTIDE TERROVA

Votre nouveau Riptide Terrova est offert avec tout ce dont vous aurez besoin pour le montage direct au bateau. Ce moteur peut être monté directement sur le bateau ou couplé avec un support à dégagement rapide Minn Kota pour un montage et un démontage simples. Pour l'installation avec un support à dégagement rapide, vous reporter aux directives d'installation fournies avec le support. Pour obtenir des supports de montage à dégagement rapide compatibles ou pour trouver votre concessionnaire le plus près, visitez minnkotamotors.com. Pour installer le moteur directement sur le bateau, veuillez suivre les directives fournies avec ce manuel. Avant de commencer, veuillez examiner la liste des pièces et des outils nécessaires à l'installation. Pour davantage de soutien pour les produits, veuillez visiter minnkotamotors.com.

LISTE DE PIÈCES D'INSTALLATION

Article/Assemblage	N° de Pièce	Description	Qté.
AA	2994864	BAG ASSEMBLY - (BOLT, NUT, WASHERS)	1
1	2263462	BOLT-MOUNTING-1/4X2 W/STG	6
2	2261713	WASHER-1/4	6
3	2263103	NUT NYLOK 1/4-20 MTG	6
4	2301720	WASHER-MOUNTING RUBBER	6
5	*	MOTOR ASSEMBLY	1
6	2390800 ♦ ●	LANYARD, REMOTE W/ CARABEENER	1
7	2994075 ♦	REMOTE ASY, IPILOT	1
▲	2397106♦	MANUAL, QUICK REF., IPILOT 1.6	1
8	2994076 ●	REMOTE ASSEMBLY LINK TOUCHSCREEN	1
9	2373241 ●	CABLE, USB REMOTE CHARGER LINK	1
10	2375901 ●	ADAPTER, USB DC POWER LINK	1
11	2996400 ♦ ●	HEADING SENSOR ASSEMBLY *CERTAINS MODÈLES UNIQUEMENT*	1
12	490389-1 ●	CABLE, ETH (M12-M-M12-F, 30')	1
14	2092600	PIN-DRIVE 1.06" LG (SS)	1
	2262658	PIN-DRIVE 1" X 3/16" S/S	1
15	2151726	WASHER-5/16 STD (S/S)	1
	2091701	WASHER-PROP (LARGE)	1
16	2053101	NUT PROP, NYLOCK (MED) 5/16-24 SS	1
	2093101	NUT-PROP, NYLOCK, LG MX101 318 SS	1
17	2091161	PROP-WW2 3 5/8" MACHINED	1
	2341161	PROP-WW2 4.5" WELDED	1
	2331161	PROP-WW2 4" WELDED	1
18	2994095 ●	TRANSMITTER ASY,TRRV CPLT	1
BB	1378131	PROP IND 2091160 WDLS WDG II	1
CC	1378160	PROP KIT 2341160 112# WW2	1
DD	1378132	PROP IND 2331160 WDLS WDG II	1
▲	2327132	INSTALLATION INSTRUCTIONS TERROVA	1
▲	2397107 ●	MANUAL, QUICK REF., IPILOT LINK 3.0	1

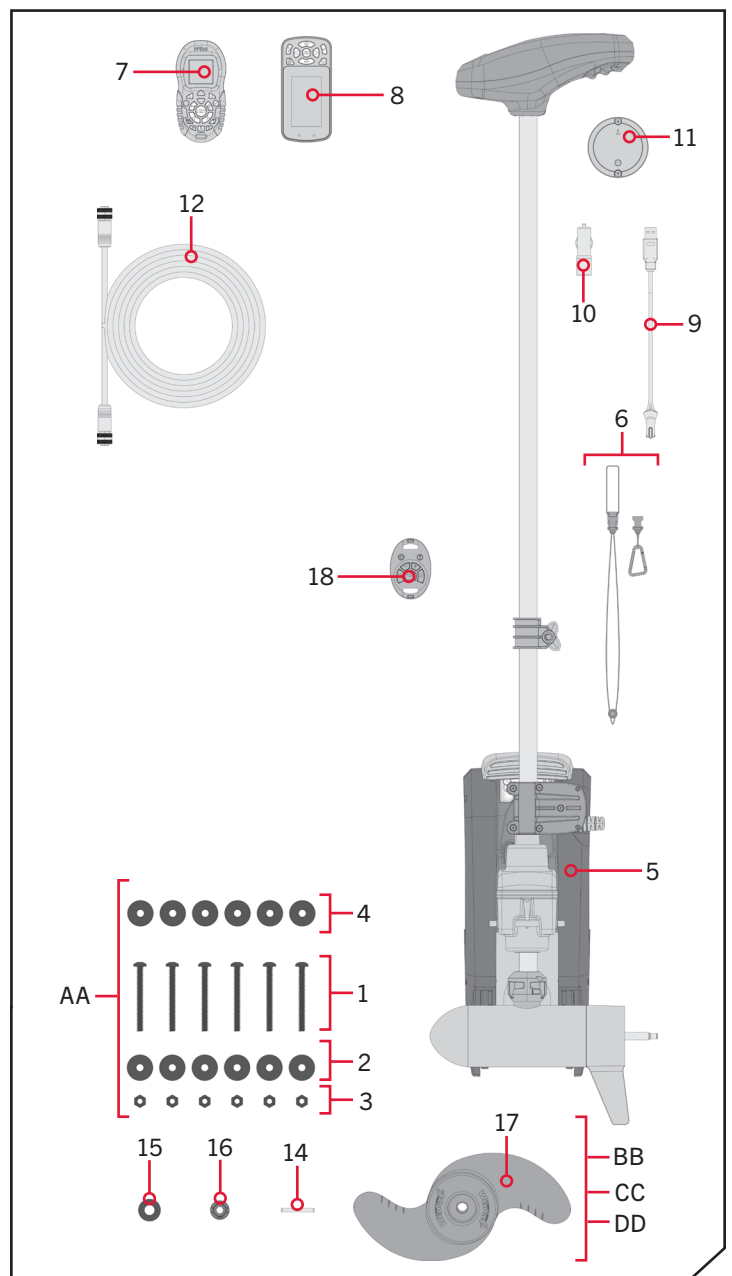
● Uniquement disponible avec les modèles possédant un système CoPilot installé en usine.

▲ N'est pas montré sur le schéma des pièces.

* Cette pièce est incluse dans un ensemble et ne peut pas être commandée individuellement.

♦ Uniquement disponible avec les modèles possédant un système i-Pilot installé en usine.

● Uniquement disponible avec les modèles possédant un système i-Pilot installé en usine.



INSTALLATION DU RIPTIDE TERROVA

FACTEURS DE MONTAGE >

Il est recommandé de monter le moteur aussi près que possible de l'axe du bateau. Vérifiez que la zone sous l'emplacement pour percer des trous et installer des rondelles et des écrous est dégagée. Assurez-vous que le support du moteur est positionné assez loin du bord du bateau. Le moteur ne doit rencontrer aucune obstruction lorsqu'il est dans l'eau ou relevé. Envisagez l'installation d'un support à dégagement rapide ou un adaptateur. Pour la liste complète des accessoires, veuillez visiter minnkotamotors.com.



Découvrez les accessoires disponibles pour votre moteur de pêche à la traîne sur minnkotamotors.com.

OUTILS ET RESSOURCES NÉCESSAIRES >

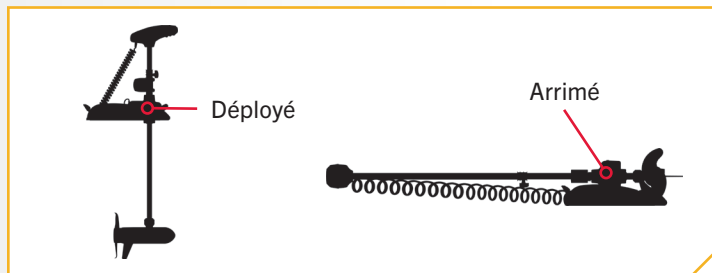
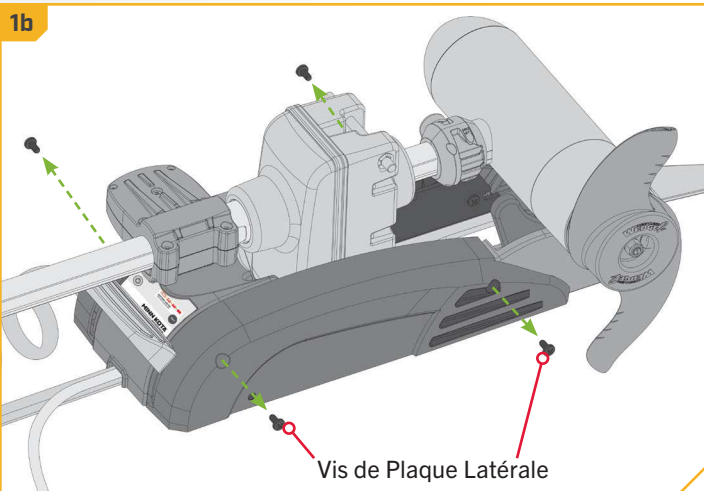
- Tournevis cruciforme n° 3
- Clé polygonale de 7/16 po (11,1 mm)
- Perceuse
- Une deuxième personne pour vous aider avec l'installation
- Mèche de 9/32 po (7,1 mm)

INSTALLATION >

INSTALLATION DU RIPTIDE TERROVA

- Placez le support sur une surface élevée, de niveau, comme un établi ou le hayon d'une camionnette. Le moteur, lorsque retiré de la boîte, devrait être en position arrimée.
 - Placez le support sur une surface élevée, de niveau, comme un établi ou le hayon d'une camionnette. Le moteur, lorsque retiré de la boîte, devrait être en position arrimée.

AVIS : Ce moteur pèse environ 65lb (29,5 kg). Pour l'installation, nous recommandons de vous faire aider par une deuxième personne.

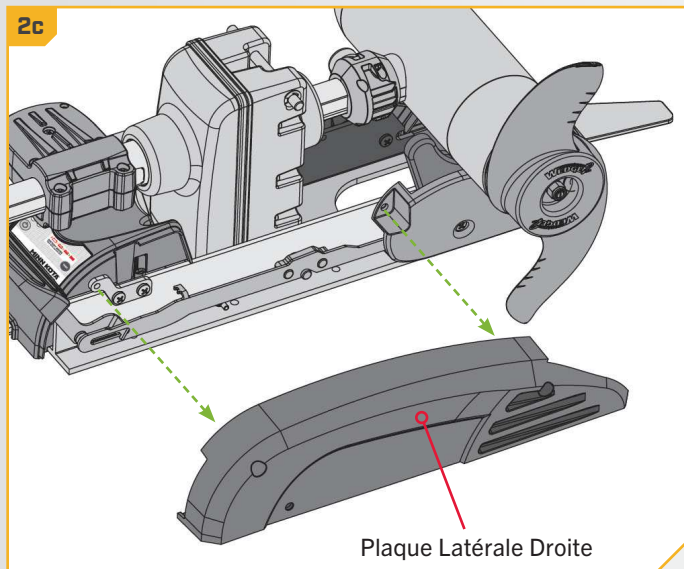


INSTALLATION DU RIPTIDE TERROVA

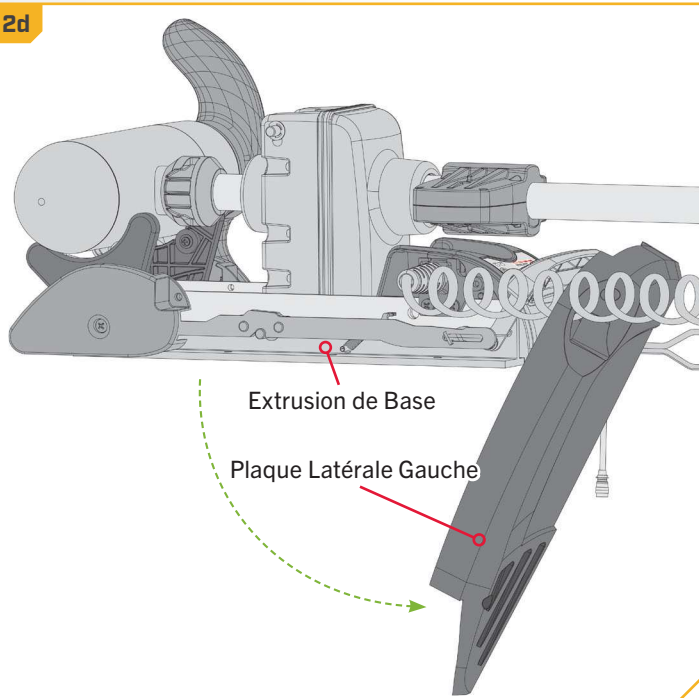
2

- c. Enlevez la plaque latérale droite.
- d. Faites pivoter la plaque latérale gauche en l'éloignant de l'extrusion de base.

2c



2d



3

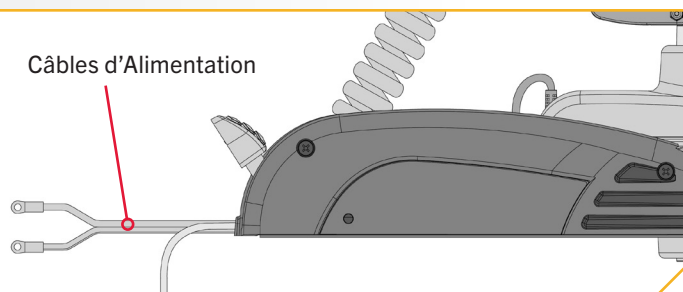
- e. Assurez-vous que les câbles d'alimentation de la batterie sont déconnectés, ou que le disjoncteur, le cas échéant, est en position "arrêt".



AVERTISSEMENT

Assurez-vous que le moteur est installé sur une surface plane et n'est pas branché à une source d'alimentation.

Câbles d'Alimentation

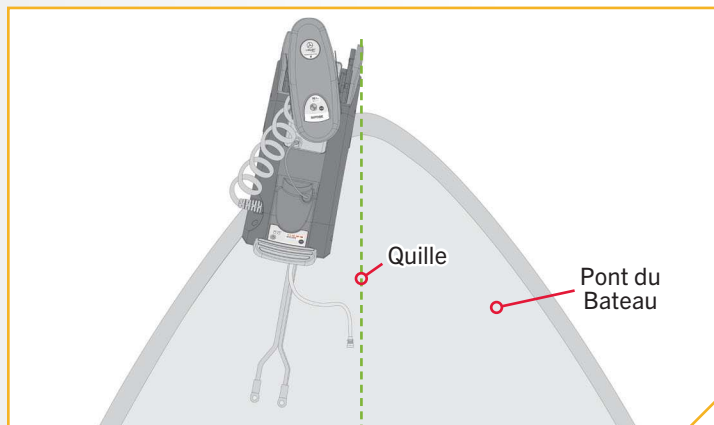


4

- f. Placez le support aussi près que possible de la quille ou de l'axe du bateau. Le moteur peut être installé soit sur le côté bâbord ou tribord du bateau, selon la préférence personnelle. Vérifiez l'emplacement avec le moteur dans la position arrimée et déployée. Relisez les facteurs de montage juste avant l'installation.

Quille

Pont du Bateau



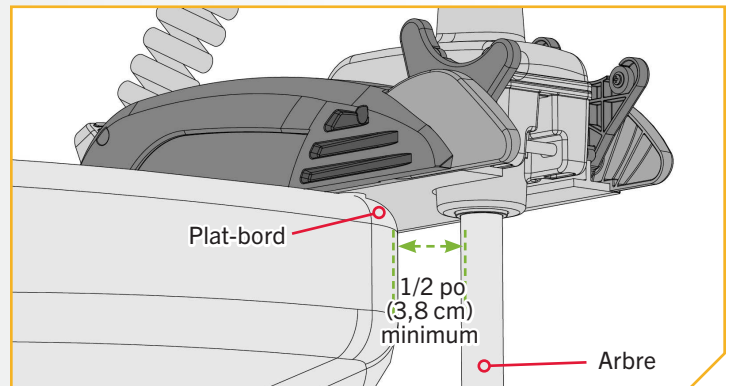
INSTALLATION DU RIPTIDE TERROVA

5

ARTICLE(S) REQUIS

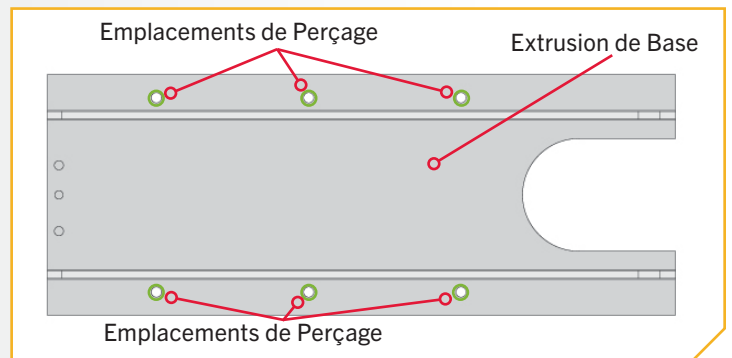
● #4 x 6

- g. Lorsque le moteur est en position déployée, veillez à ce que l'arbre dépasse le plat-bord du bateau de 1/2 po (3,8 cm). L'appareil inférieur lorsque arrimé et déployé ne doit pas rencontrer d'obstacles.
- h. Assurez-vous que le support est de niveau. Au besoin, utilisez les rondelles de caoutchouc (article n° 4) pour créer une surface au niveau.



6

- i. Il est recommandé de marquer au moins 4 des 6 trous dans l'extrusion de base et d'avoir au moins deux boulons de chaque côté qui sont le plus éloignés l'un de l'autre. Une installation idéale serait d'utiliser 6 boulons avec un minimum de 4.
- j. Percez le pont du bateau à l'aide d'une perceuse 9/32 po (7,1 mm) aux endroits marqués.



7

ARTICLE(S) REQUIS

#1 x 6

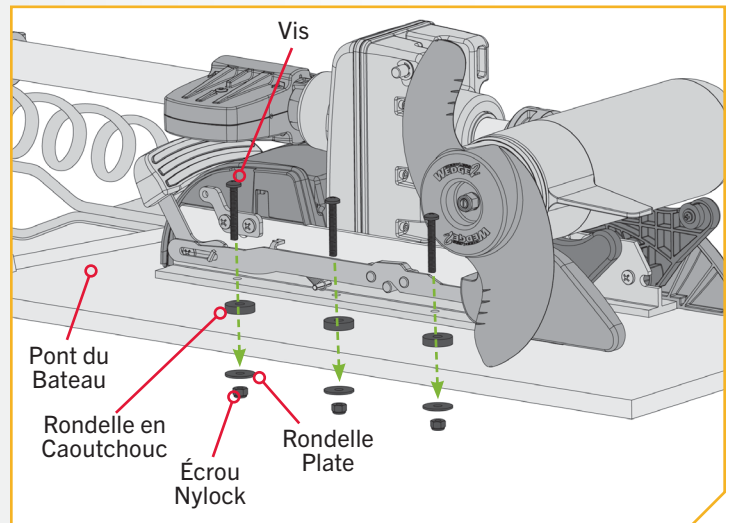
● #2 x 6

○ #3 x 6

● #4 x 6

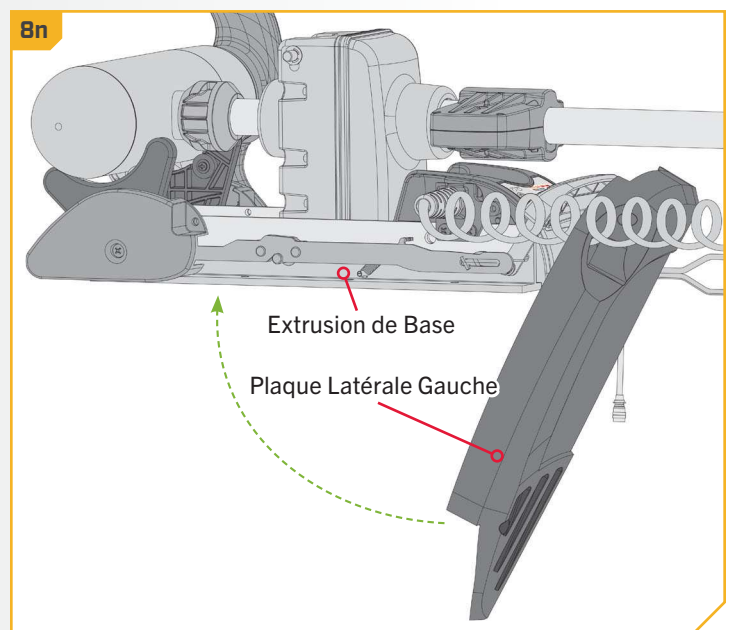
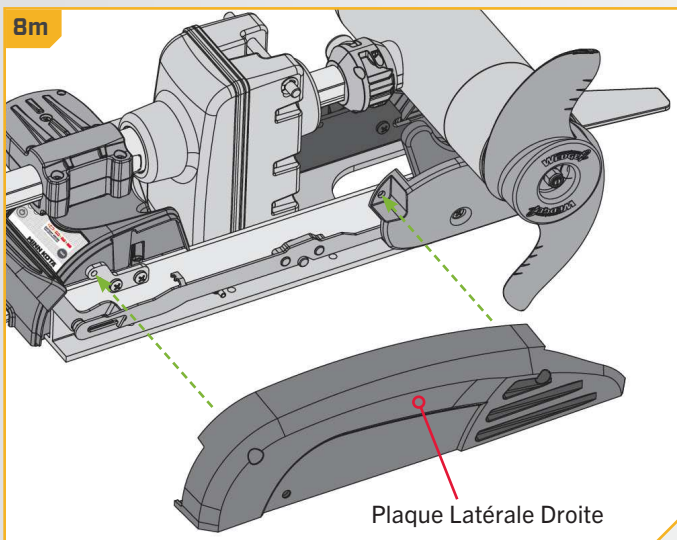
- k. Mettez une vis 1/4-20 x 3 1/2 po (6,4-20 x 88,9 mm) (article n° 1) dans chaque trou percé. La vis doit traverser l'extrusion de base et le pont du bateau. Si les rondelles en caoutchouc (article n° 4) sont utilisées, elles doivent se trouver entre l'extrusion de base et le pont du bateau. Assurez-vous de fixer le moteur avec des vis de chaque côté de l'extrusion de base.
- l. Placez une rondelle plate (article n° 2) puis un écrou Nylock (article n° 3) au bout de chaque vis comme illustré, puis serrez les écrous. Veillez à ce que toute la quincaillerie soit bien fixée.

AVIS : Pour prévenir le grippage de la quincaillerie en acier inoxydable, n'utilisez pas d'outils haute vitesse pour l'installation. Le fait de mouiller les vis ou d'appliquer un antigrippant peut aider à prévenir qu'elles grippent.



8

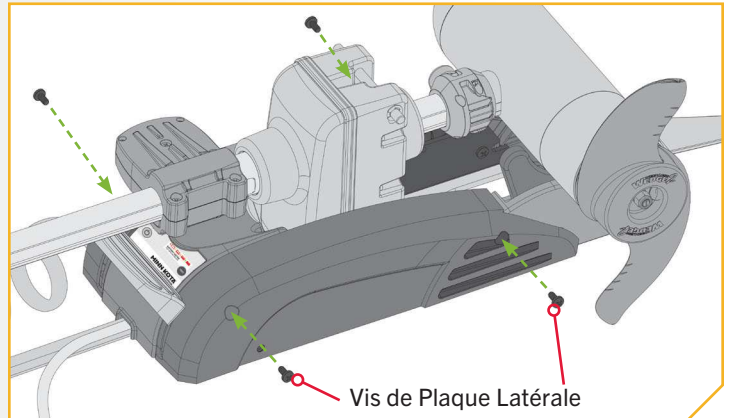
- m. Remplacez la plaque latérale droite.
- n. En la faisant pivoter, replacez la plaque latérale gauche dans sa position appropriée sur l'extrusion de base.



ACHEMINEMENT DU CÂBLE POUR L'i-PILOT LINK

9

- o. Remplacez les quatre vis de la plaque latérale en utilisant un tournevis cruciforme n° 3 ou n° 2. Deux de ces vis seront situées de chaque côté du support.



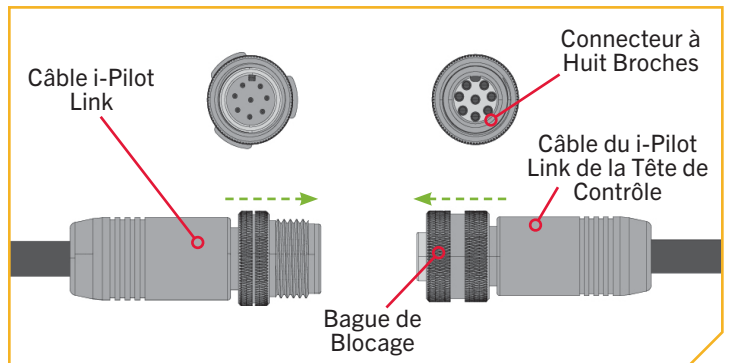
ACHEMINEMENT DU CÂBLE POUR L'i-PILOT LINK

Votre moteur de pêche à la traîne est peut-être déjà équipé du i-Pilot ou du i-Pilot Link. Pour en savoir plus sur les capacités du GPS offertes avec votre système de navigation i-Pilot ou i-Pilot Link, veuillez vous reporter au manuel du propriétaire correspondant en visitant minnkotamotors.com.

Les fonctionnalités du i-Pilot Link exigent une connexion d'un câble à un dispositif de sortie. Cette connexion se trouve sur le moteur de pêche à la traîne sous la tête de contrôle, si installée. Le système i-Pilot n'a pas besoin d'une connexion externe câblée. S'il n'y a qu'une connexion, votre moteur est équipé du système i-Pilot Link. S'il n'y a aucune connexion, votre moteur peut être installé ou non avec i-Pilot. Veuillez suivre les recommandations de Minn Kota sur l'acheminement des câbles afin d'optimiser et maximiser la fonctionnalité. L'acheminement sera le même, peu importe le nombre de câbles présents. Utiliser les directives suivantes pour effectuer correctement l'acheminement des câbles.

Les câbles sont blindés de sorte à réduire les interférences. Afin de protéger ce blindage, il est recommandé de ne pas serrer fermement les câbles contre des coins vifs ni des objets durs. Si des attaches de câble sont utilisées, évitez de trop serrer. Tout surplus de câble devrait être enlacé en une boucle lâche d'au moins 4 po (10 cm) de diamètre.

Afin de réduire les interférences causées par le moteur de pêche à la traîne, assurez-vous que le détecteur de poissons et le moteur de pêche à la traîne sont actionnés par des batteries indépendantes. Veuillez vous reporter aux sections sur l'Installation de la batterie et du câblage, câblage du moteur dans le présent manuel pour des directives sur le raccordement.



ACHEMINEMENT DU CÂBLE POUR L'I-PILOT LINK

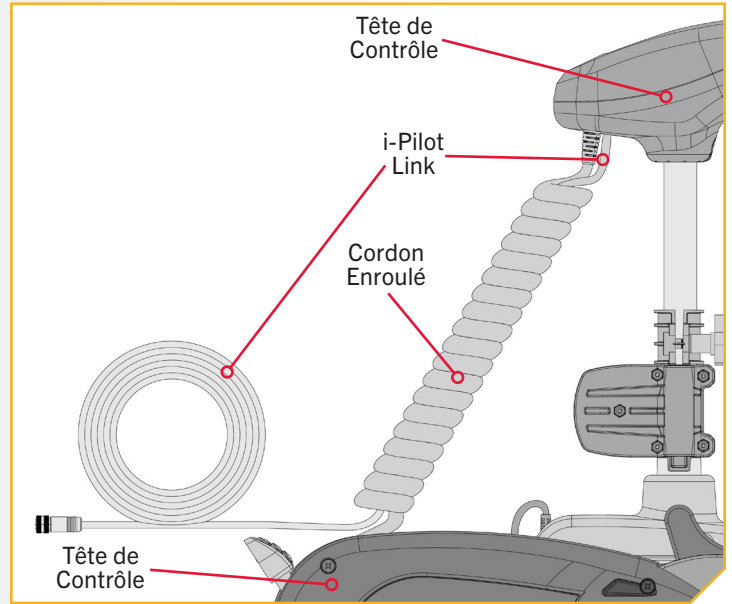
1

- a. Placez le moteur dans la position déployée.
- b. Trouvez le câble i-Pilot Link, à la base de la tête de contrôle.

ATTENTION

Le défaut de suivre l'acheminement recommandé des fils pour le câble du i-Pilot Link, si équipé, peut causer des dommages au produit et annuler sa garantie. Acheminez les câbles en évitant les points de pincement et les autres zones qui pourraient faire en sorte que les câbles soient pliés à des angles aigus. Effectuer l'acheminement des câbles d'une tout autre façon que celle dictée peut entraîner des dommages aux câbles par un pincement ou sectionnement.

- c. Le câble du i-Pilot Link doit être passé entièrement au travers du cordon enroulé. Il doit sortir du cordon enroulé au bas de ce dernier, où il se connecte au support.



AVIS : Lorsque le câble du i-Pilot Link est sorti du cordon enroulé, il doit être acheminé par un système d'acheminement établi sur le bateau, dans une zone libre d'interférences. Inspectez bien le chemin planifié pour vous assurer qu'il n'y a pas d'arêtes vives, d'obstacles ou d'obstructions qui pourraient endommager les câbles.

INSTALLATION DE L'HÉLICE

INSTALLATION DE L'HÉLICE

1

ARTICLE(S) REQUIS

 #17 x 1  #15 x 1  #16 x 1 | #14 x 1

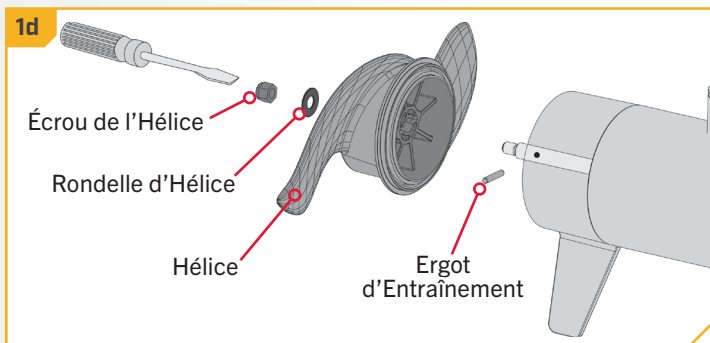
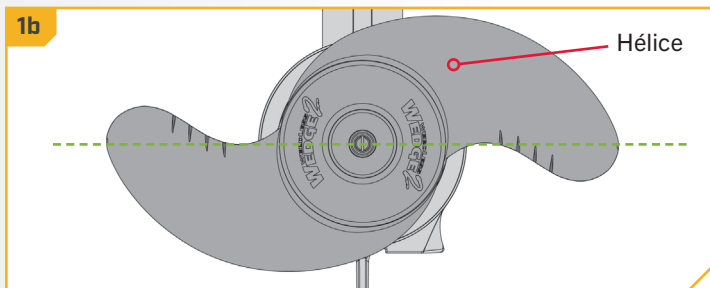
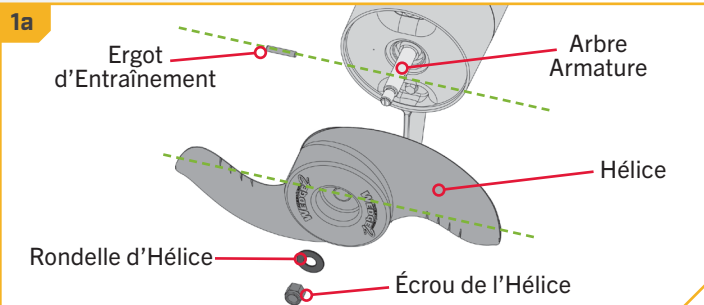
ATTENTION

Débranchez le moteur de la batterie avant d'effectuer tout travail ou entretien sur l'hélice.

- Prenez l'ergot d'entraînement (Article n° 14) et glissez-le dans l'orifice de l'arbre d'armature. Placez l'ergot d'entraînement à l'horizontale en saisissant l'arbre d'armature et en le tournant avec l'ergot d'entraînement en place.
- Alignez l'hélice (Article n° 17) de manière à ce qu'elle soit à l'horizontale et parallèle à l'ergot d'entraînement. Glissez l'hélice sur l'arbre d'armature et l'ergot d'entraînement jusqu'à ce qu'elle repose contre l'appareil inférieur.
- Installez la rondelle de l'hélice (Article n° 15) et l'écrou de l'hélice (Article n° 16) sur l'extrémité de l'arbre d'armature.
- En tenant l'extrémité de l'arbre d'armature avec un tournevis à lame plate, serrez l'écrou de l'hélice avec une clé plate 9/16 po (14,29 cm).
- Serrez l'écrou d'hélice 1/4 de tour passé le serrage confortable à 25-35 po lb (2,8-4 Nm).

ATTENTION

Ne pas trop serrer pour ne pas endommager l'hélice.



INSTALLATION DES BATTERIES ET DU CÂBLAGE

GRÉEMENT DE L'EMBARCATION ET INSTALLATION DU PRODUIT

Pour des raisons de sécurité et de conformité, nous vous recommandons de suivre les normes du conseil américain sur les embarcations et les yachts (ABYC) pour le gréement de l'embarcation. Les altérations dans le câblage de l'embarcation devraient être complétées par un technicien de marine qualifié. Les spécifications suivantes sont seulement des lignes directrices générales:

ATTENTION

Ces lignes directrices s'appliquent au gréement général pour soutenir le moteur de Minn Kota. L'alimentation de multiples moteurs ou d'autres appareils électriques, à partir du même circuit d'alimentation, peut influencer sur le gabarit de conducteurs et le dimensionnement des disjoncteurs recommandé. Pour un fil plus long que celui fourni avec l'appareil, suivre le tableau de dimensionnement de gabarit des conducteurs et des disjoncteurs du tableau ci-dessous. Si la longueur totale de la rallonge est de plus de 25 pi (7,60 m), nous vous recommandons de communiquer avec un technicien maritime qualifié.

ATTENTION

Un dispositif de protection contre la surintensité (disjoncteur ou fusible) doit être utilisé. Les préalables de la garde côtière exigent que chaque conducteur de courant, qui n'est pas fixé, soit protégé par un fusible ou un disjoncteur qui se réinitialise manuellement et qui ne peut se déclencher automatiquement. Le dimensionnement du type (courant et tension de puissance nominale) de fusible ou de disjoncteur doit être choisi en fonction du propulseur électrique utilisé. Le tableau ci-dessous donne les lignes directrices recommandées pour ce qui est du dimensionnement des disjoncteurs.

TABLEAU DES DIMENSIONS DE GABARIT DES CONDUCTEURS ET DISJONCTEURS

Le présent tableau des dimensions de gabarit des conducteurs et disjoncteurs est uniquement valable pour les hypothèses suivantes:

1. Il n'y a pas plus de 2 conducteurs qui sont regroupés à l'intérieur d'une gaine ou d'un conduit à l'extérieur de l'espace moteur.
2. Chaque conducteur est muni d'un isolant d'une température nominale de 105 °C.
3. Aucune chute de tension de plus de 5 % n'est autorisée lorsque le moteur est à plein régime, en fonction des exigences en matière d'alimentation du produit qui ont été publiées.

Modèle/ Poussée du Moteur	Courant Tiré Max	Disjoncteur	Longueur de la Rallonge				
			1.5 mètres	3 mètres	4.5 mètres	6 mètres	7.5 mètres
30 lb.	30	50 Amp @ 12 VDC	6 mm ²	6 mm ²	10 mm ²	16 mm ²	25 mm ²
40 lb., 45 lb.	42		6 mm ²	10 mm ²	16 mm ²	25 mm ²	25 mm ²
50 lb., 55 lb.	50	60 Amp @ 12 VDC	10 mm ²	16 mm ²	25 mm ²	25 mm ²	35 mm ²
70 lb.	42	50 Amp @ 24 VDC	6 mm ²	6 mm ²	10 mm ²	10 mm ²	16 mm ²
80 lb.	56	60 Amp @ 24 VDC	10 mm ²	10 mm ²	10 mm ²	16 mm ²	16 mm ²
101 lb.	46	50 Amp @ 36 VDC	10 mm ²	10 mm ²	10 mm ²	10 mm ²	10 mm ²
Engine Mount 101	50	60 Amp @ 36 VDC	10 mm ²	10 mm ²	10 mm ²	10 mm ²	10 mm ²
112 lb.	52	60 Amp @ 36 VDC	10 mm ²	10 mm ²	10 mm ²	10 mm ²	10 mm ²
Engine Mount 160	116	(2) x 60 Amp @ 24 VDC	16 mm ²	16 mm ²	25 mm ²	35 mm ²	35 mm ²
E-Drive	40	50 Amp @ 48 VDC	6 mm ²	6 mm ²	6 mm ²	6 mm ²	6 mm ²

AVIS : La longueur de la rallonge fait référence à la distance séparant les batteries des fils du propulseur électrique. Consultez le site Web pour connaître les options d'impulsion. Les valeurs d'intensité maximales ont lieu de manière intermittente durant certaines conditions et ne doivent pas être utilisées comme valeur nominale continue.

Référence
Le code des règlements fédéraux des États-Unis : article 183 du titre 33 du CFR - Embarcations et équipements associés ABYC E-11 : systèmes électriques CA et CC sur les embarcations.

SÉLECTIONNER UNE BATTERIE ADÉQUATE

COMMENT SÉLECTIONNER LES BATTERIES ADÉQUATES

Le moteur fonctionnera avec toute batterie marine plomb/acide à décharge profonde de 12 volts. Pour un meilleur résultat, utilisez une batterie marine à décharge profonde avec ampérage nominal d'au moins 105 ampères/heure. Maintenez la batterie complètement chargée. Un entretien adéquat fera en sorte que le courant sera disponible le moment venu et améliorera considérablement la durée de vie de la batterie. Le fait de ne pas recharger les batteries au plomb (dans les 12 à 24 heures) est la principale cause de défaillance prématurée de celles-ci. Utilisez un chargeur multiphase pour éviter une surcharge. Nous offrons une vaste sélection de chargeurs en fonction de vos besoins. Si vous utilisez une batterie à manivelle pour démarrer un moteur hors-bord à essence, nous vous recommandons d'utiliser des batteries marines à décharge profonde séparées pour votre propulseur électrique Minn Kota. Pour de plus amples informations sur la sélection et le gréement de batterie, veuillez visiter minnkotamotors.com. Les moteurs de pêche à la traîne Minn Kota peuvent fonctionner avec des batteries au Lithium Ion. Cependant, ils sont spécifiquement conçus pour fonctionner avec des batteries plomb/ acide traditionnelles (AMG ou GEL). Les batteries au lithium Ion restent à des tensions supérieures pendant plus longtemps que les batteries plomb/acide. Par conséquent, lancer un moteur de pêche à la traîne Minn Kota à des vitesses supérieures à 85 % pendant une période prolongée risque d'endommager le moteur de façon permanente.



AVERTISSEMENT

Ne jamais brancher les bornes (+) et (-) de la même batterie ensemble. S'assurer qu'aucun objet métallique ne puisse tomber sur la batterie et provoquer un court-circuit aux bornes. Cela provoquerait immédiatement un court-circuit et un risque extrême d'incendie.



ATTENTION

Il est fortement recommandé d'utiliser un disjoncteur ou un fusible avec ce propulseur électrique. Consulter le « Tableau des dimensions de gabarit des conducteurs et disjoncteurs » dans la section précédente pour trouver le disjoncteur ou fusible approprié convenant à votre moteur. Pour les moteurs nécessitant un disjoncteur de 60-A, le disjoncteur Minn Kota MKR-19 60-A est recommandé.



ATTENTION

Veuillez lire les renseignements suivants avant de connecter votre moteur à vos batteries afin d'éviter d'endommager votre moteur ou d'annuler votre garantie.

AUTRES POINTS À CONSIDÉRER

› Utilisation de chargeurs-onduleurs

Votre moteur de pêche à la traîne Minn Kota peut être conçu avec un fil de masse interne pour réduire les interférences avec d'autres sonars. La plupart des systèmes de charge alternateurs ne tiennent pas compte de ce fil de masse et connectent les bornes négatives des batteries du moteur de pêche à la traîne aux bornes négatives de la batterie à manivelle/de démarrage. Ces connexions externes peuvent endommager les composants électroniques connectés ou le système électrique de votre moteur de pêche à la traîne et ainsi annuler votre garantie. Passez attentivement en revue le manuel de votre chargeur ou consultez son fabricant afin de vous assurer que votre chargeur est compatible avant de l'utiliser.

Minn Kota recommande l'utilisation de chargeurs de marque Minn Kota pour recharger les batteries connectées à votre propulseur électrique Minn Kota, étant donné qu'ils ont été conçus de sorte à fonctionner avec les moteurs dotés d'un fil de masse.

» Accessoires Supplémentaires Connectés aux Batteries du Propulseur électrique

Votre moteur Minn Kota, les composants électroniques de votre bateau ou votre bateau peuvent subir des dommages importants si de mauvaises connexions ont été effectuées entre les batteries de votre propulseur électrique et un autre système de batterie.

Minn Kota recommande d'utiliser un système de batterie exclusif pour votre propulseur électrique. Lorsque possible, les accessoires doivent être branchés sur un système de batterie séparé. Les radios et les sonars ne doivent être connectés à aucune batterie du propulseur électrique étant donné que les interférences provenant du propulseur électrique sont inévitables. Lorsque vous connectez un accessoire supplémentaire à l'une des batteries du propulseur électrique, ou lorsque vous effectuez des connexions entre les batteries du propulseur électrique et d'autres systèmes de batterie sur le bateau, assurez-vous de respecter attentivement les indications ci-dessous.

La connexion négative (-) doit être connectée à la borne négative de la même batterie à laquelle la borne négative du propulseur électrique est connectée. Sur le tableau, cette batterie est appelée batterie « côté inférieur ». La connexion à une autre batterie du propulseur électrique fera entrer une tension positive dans la « mise à la terre » de cet accessoire, pouvant causer une corrosion excessive. Tout dommage causé par de mauvaises connexions entre les systèmes de batterie ne sera pas couvert par la garantie.

SYSTÈMES DE DÉMARRAGE D'APPOINT ET COMMUTATEURS

Les systèmes de démarrage d'appoint et les commutateurs relient les bornes négatives des batteries connectées entre elles. La connexion de ces systèmes à la batterie "Côté Supérieur" ou à la batterie "Milieu" risque de causer d'importants dommages à votre propulseur électrique ou aux composants électroniques. La seule batterie du propulseur électrique qui peut être connectée de façon sécuritaire à un de ces systèmes est la batterie "Côté inférieur".

COMMENT RACCORDER LA BATTERIE

» Systèmes de 12 Volts

1. S'assurer que le moteur est coupé (sélecteur de vitesse sur « 0 »).
2. Raccorder le fil rouge positif (+) à la borne positive (+) de la batterie.
3. Raccorder le fil noir négatif (-) à la borne négative (-) de la batterie.



AVERTISSEMENT

Pour des raisons de sécurité, ne pas allumer le moteur jusqu'à ce que l'hélice soit dans l'eau. Si vous installez un raccordement en fil de plomb, respectez les polarités appropriées et suivez les instructions qui se trouvent dans votre manuel du propriétaire du bateau.

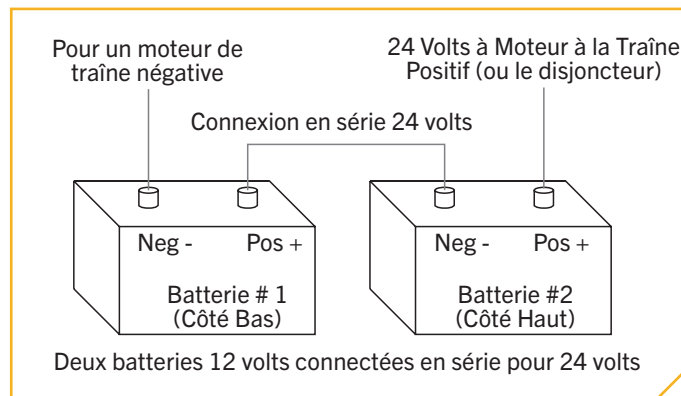
BRANCHER LES BATTERIES EN SÉRIE

BRANCHER LES BATTERIES EN SÉRIE (SI REUIS POUR VOTRE MOTEUR)

› Systèmes de 24 Volts

Deux batteries de 12 volts sont nécessaires. Les batteries doivent être branchées en série, uniquement tel qu'illustré dans le schéma de câblage, afin de fournir 24 volts.

1. Assurez-vous que le moteur est éteint (sélecteur de vitesse sur "0").
2. Branchez un câble de raccordement à la borne positive (+) de la batterie 1 et à la borne négative (-) de la batterie 2.
3. Branchez le fil rouge positif (+) à la borne positive (+) sur la batterie 2.
4. Branchez le fil noir négatif (-) à la borne négative (-) de la batterie 1.



AVERTISSEMENT

Pour des raisons de sécurité, ne pas allumer le moteur jusqu'à ce que l'hélice soit dans l'eau. Si vous installez un raccordement en fil de plomb, respectez les polarités appropriées et suivez les instructions qui se trouvent dans votre manuel du propriétaire du bateau.



AVERTISSEMENT

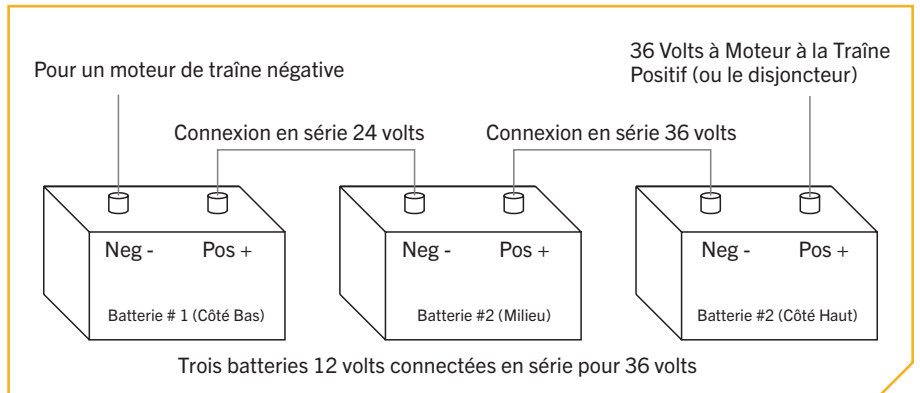
- Pour des raisons de sécurité, débranchez le moteur des batteries lorsque le moteur n'est pas utilisé ou pendant la charge.
- Une mauvaise installation du câblage des systèmes de 24/36 volts pourrait provoquer une explosion des batteries.
- Gardez les écrous papillons des raccordements solides et bien serrés autour des bornes de la batterie.
- Installez la batterie dans un compartiment ventilé.

BRANCHER LES BATTERIES EN SÉRIE

› Systèmes de 36 Volts

Trois batteries de 12 volts sont nécessaires. Les batteries doivent être branchées en série, uniquement tel qu'illustré dans le schéma de câblage, afin de fournir 36 volts.

1. Assurez-vous que le moteur est éteint (sélecteur de vitesse sur "0").
2. Branchez un câble de raccordement à la borne positive (+) de la batterie 1 et à la borne négative (-) de la batterie 2. Branchez autre câble de raccordement à la borne positive (+) de la batterie 2 et à la borne négative (-) de la batterie 3.
3. Branchez le fil rouge positif (+) à la borne positive (+) sur la batterie 3.
4. Branchez le fil noir négatif (-) à la borne négative (-) de la batterie 1.



AVERTISSEMENT

Pour des raisons de sécurité, ne pas allumer le moteur jusqu'à ce que l'hélice soit dans l'eau. Si vous installez un raccordement en fil de plomb, respectez les polarités appropriées et suivez les instructions qui se trouvent dans votre manuel du propriétaire du bateau.



AVERTISSEMENT

- Pour des raisons de sécurité, débranchez le moteur des batteries lorsque le moteur n'est pas utilisé ou pendant la charge.
- Une mauvaise installation du câblage des systèmes de 24/36 volts pourrait provoquer une explosion des batteries.
- Gardez le serrage des écrous de papillon de raccordement solide et bien serré autour des bornes de la batterie.
- Installez la batterie dans un compartiment ventilé.

L'installation de votre Riptide Terrova est terminée. Vous pouvez télécharger un manuel du propriétaire intégral à minnkotamotors.com.

ACCESSOIRES RECOMMANDÉS

» CHARGEURS DE BATTERIE EMBARQUÉS ET PORTATIFS

Ne plus acheter de nouvelles batteries et commencer à prendre soin de celles déjà en votre possession. Plusieurs chargeurs peuvent en fait endommager les batteries à la longue, pouvant entraîner une autonomie réduite et une durée de vie plus courte. Les chargeurs Minn Kota à commande numérique assurent une charge rapide pour une protection et une durée de vie prolongée.



MK212PC



MK210D



MK110PD

» ANCRE POUR EAUX PEU PROFONDES TALON

Voici le tout nouveau Talon à nouvelle conception profilée. Talon est la seule ancre pour eaux peu profondes avec jusqu'à 15 pi (4,6 m) de profondeur d'ancrage, plusieurs modes d'ancrage et le contrôle à partir de la proue, du tableau arrière, de la console, de la télécommande ou d'un appareil mobile.



ÉCLAIRAGE DE TRAVAIL INTÉGRÉ

Vous permet de fixer les lignes et de travailler à partir du tableau arrière à tout moment de la journée, ou de la nuit. Comprend des lumières DEL blanches et bleues avec trois intensités.



JUSQU'À UNE PROFONDEUR DE 15 PI [4,6 M]

Contrôlez plus d'eau et attrapez plus de poissons avec la première ancre de 15 pi (4,6 m) pour eau peu profonde.



CONNECTIVITÉ BLUETOOTH®

Vous permet de contrôler votre Talon à partir de votre appareil mobile, ainsi que le mettre à jour facilement. Elle ouvre aussi la communication à d'autres options de contrôle.



D'AUTRES OPTIONS DE COMMANDE

- Panneau de commande
- Télécommande sans fil
- Application mobile
- Pédale sans fil
- Connectivité Humminbird^{MD}
- Télécommande i-Pilot^{MD} et i-Pilot Link



» ACCESSOIRES MINN KOTA

Nous offrons un large éventail d'accessoires pour les propulseurs électriques, y compris:

- Un Disjoncteur de 60 A
- Des Supports de Montage
- Des Ensembles Stabilisateur
- Des Rallonges de Poignée
- Des connecteurs de batterie
- Bacs à Batterie
- Des fiches de connexion rapide



minnkotamotors.com



Part #2327133

Minn Kota Consumer & Technical Service
Johnson Outdoors Marine Electronics, Inc.
PO Box 8129
Mankato, MN 56001

121 Power Drive
Mankato, MN 56001
Phone (800) 227-6433
Fax (800) 527-4464



©2022 Johnson Outdoors Marine Electronics, Inc.
All rights reserved.

ECN 42100

Rev E

04/22